



US00D988075S

(12) **United States Design Patent**  
**Hu**

(10) **Patent No.:** **US D988,075 S**  
(45) **Date of Patent:** **\*\* Jun. 6, 2023**

(54) **GRILL GREASE TRAY**

(71) Applicant: **Shenzhen Yuanchi Zhichuang Technology Co., Ltd.**, Shenzhen (CN)

(72) Inventor: **Tao Hu**, Shenzhen (CN)

(73) Assignee: **Shenzhen Yuanchi Zhichuang Technology Co., Ltd.**, Shenzhen (CN)

(\*\*) Term: **15 Years**

(21) Appl. No.: **29/870,639**

(22) Filed: **Feb. 1, 2023**

(51) **LOC (14) Cl.** ..... **07-02**

(52) **U.S. Cl.**  
USPC ..... **D7/402**

(58) **Field of Classification Search**  
USPC ..... D7/337, 354, 356, 357, 402, 403, 407, D7/408, 409, 505, 550.1, 553.2, 553.3, D7/554.3; D23/287, 308; D32/56  
CPC .... A47J 37/0682; A47J 37/07; A47J 37/0704; A47J 37/0713; A47J 37/0718; A47J 37/0727; A47J 37/0763; A47J 37/0772; A47J 37/0786; A47J 37/0795; A47J 2037/0777; A47J 2037/0795

See application file for complete search history.

(56) **References Cited**

**U.S. PATENT DOCUMENTS**

3,266,704	A *	8/1966	Deeren	.....	B65D 5/56
					229/120.07
D256,082	S *	7/1980	Colato	.....	D7/409
D256,654	S *	9/1980	Painter	.....	D7/409
5,415,844	A *	5/1995	Moore	.....	B28B 17/00
					D7/359
D483,224	S	12/2003	Clark		
D793,162	S *	8/2017	Hamlin	.....	D7/409
D836,379	S *	12/2018	Lee	.....	D7/359
D849,479	S *	5/2019	Sloyer	.....	D7/407
D856,062	S *	8/2019	Lee	.....	D7/409
D882,900	S *	4/2020	Hartley	.....	D32/56

D974,837	S *	1/2023	Cui	.....	D7/402
D976,641	S *	1/2023	Chen	.....	D7/402
2015/0257593	A1 *	9/2015	Hunt	.....	A47J 37/0871
					220/571

**OTHER PUBLICATIONS**

MROTIGRIL Grill Grease Tray: Announced (Feb. 23, 2023; online). Site visited (Mar. 15, 2023). Available from URL: [https://www.amazon.com/dp/B0BS3WYB5J/ref=sspa\\_dk\\_detail\\_3?psc=1&pd\\_rd\\_i=B0BS3WYB5J&pd\\_rd\\_w=0GiiB&content-id=amzn1.sym.3309c9d3-bf37-499a-888c-9ce693c3483f&p=lawn-garden&sp\\_csd=d2lkZ2V0TmFtZT1zcF9kZXRhaWxhdGhlbWF0aWM&spLa=ZW5jcnlwdGVkUXVhbGlmaWVyPUEwV0Y5RDUzRzk4TUFHJmVuY3J5cHRIZEikPUEwNzc4ODM3MUK0UFIFVIkxQzFZW5ZlbnNyeXB0ZWRBZEikPUEwNjU4Nzc3MzVYOE1ITjA0RFBBWiZ3aWRnZXROYW1IPXNwX2RldGFpbF90aGVtYXRpYyZhY3Rpb249Y2xpY2tSZWRpcmVjdCZkb05vdExvZ0NsaWNrPXRydW.\\*](https://www.amazon.com/dp/B0BS3WYB5J/ref=sspa_dk_detail_3?psc=1&pd_rd_i=B0BS3WYB5J&pd_rd_w=0GiiB&content-id=amzn1.sym.3309c9d3-bf37-499a-888c-9ce693c3483f&p=lawn-garden&sp_csd=d2lkZ2V0TmFtZT1zcF9kZXRhaWxhdGhlbWF0aWM&spLa=ZW5jcnlwdGVkUXVhbGlmaWVyPUEwV0Y5RDUzRzk4TUFHJmVuY3J5cHRIZEikPUEwNzc4ODM3MUK0UFIFVIkxQzFZW5ZlbnNyeXB0ZWRBZEikPUEwNjU4Nzc3MzVYOE1ITjA0RFBBWiZ3aWRnZXROYW1IPXNwX2RldGFpbF90aGVtYXRpYyZhY3Rpb249Y2xpY2tSZWRpcmVjdCZkb05vdExvZ0NsaWNrPXRydW.*)

(Continued)

*Primary Examiner* — Catherine S Posthauer  
(74) *Attorney, Agent, or Firm* — Nitin Kaushik

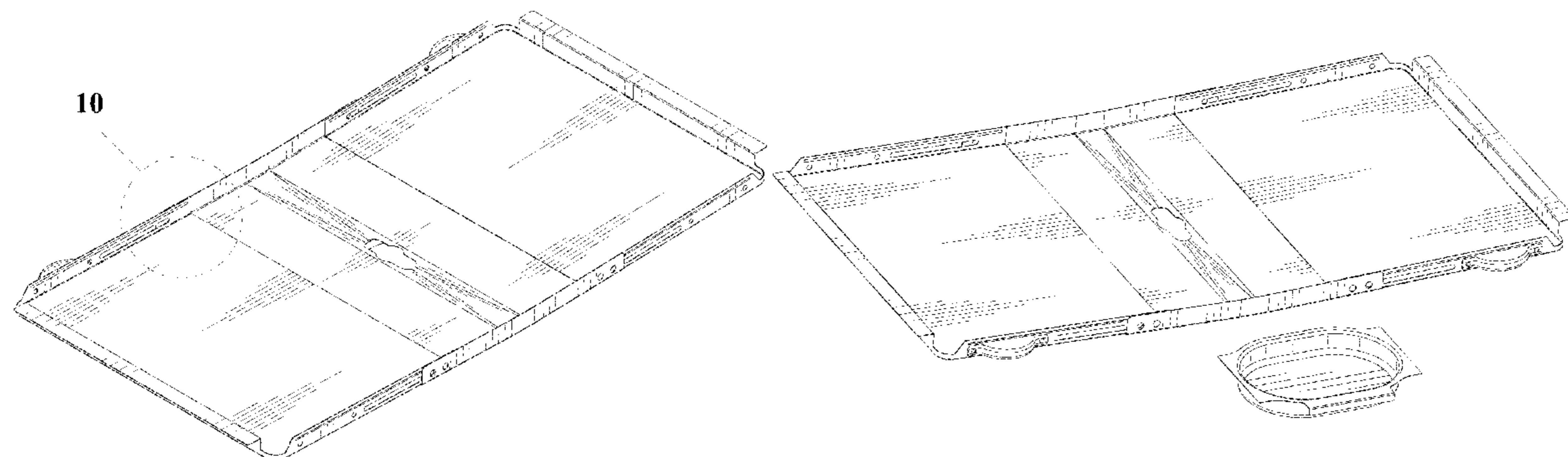
(57) **CLAIM**

The ornamental design for a grill grease tray, as shown and described.

**DESCRIPTION**

FIG. 1 is a top perspective view of a grill grease tray, showing my new design;  
FIG. 2 is a bottom perspective view thereof;  
FIG. 3 is a disassembled top perspective view thereof;  
FIG. 4 is an assembled front view thereof;  
FIG. 5 is a rear view thereof;  
FIG. 6 is a left side elevation view thereof;  
FIG. 7 is a right side elevation view thereof;  
FIG. 8 is a top plan view thereof;  
FIG. 9 is a bottom plan view thereof;  
FIG. 10 is a partial enlarged view of FIG. 1; and,  
FIG. 11 is a partial enlarged view of FIG. 2.

(Continued)



The broken lines shown in FIGS. 1, 2, 10, and 11 are for the purpose of designating enlargement views and form no part of the claimed design.

**1 Claim, 11 Drawing Sheets**

(56) **References Cited**

OTHER PUBLICATIONS

Outage Replacement Grease Tray with Catch Pan: Announced (Feb. 24, 2023; online). Site Visited (Mar. 15, 2023). Available from URL: [https://www.amazon.com/Replacement-Grease-Universal-Nexgrill-Kenmore/dp/B0BRW9GWMQ/ref=cm\\_cr\\_arp\\_d\\_pdt\\_img\\_top?ie=UTF8](https://www.amazon.com/Replacement-Grease-Universal-Nexgrill-Kenmore/dp/B0BRW9GWMQ/ref=cm_cr_arp_d_pdt_img_top?ie=UTF8).\*

Vencino Stainless Steel Grill Grease Tray: Announced (Oct. 12, 2022; online). Site Visited (Mar. 15, 2023). Available from URL: [https://www.amazon.com/Vencino-Stainless-Steel-Grill-Grease/dp/B0BCJVHH9B/ref=cm\\_cr\\_arp\\_d\\_product\\_top?ie=UTF8](https://www.amazon.com/Vencino-Stainless-Steel-Grill-Grease/dp/B0BCJVHH9B/ref=cm_cr_arp_d_product_top?ie=UTF8).\*

\* cited by examiner

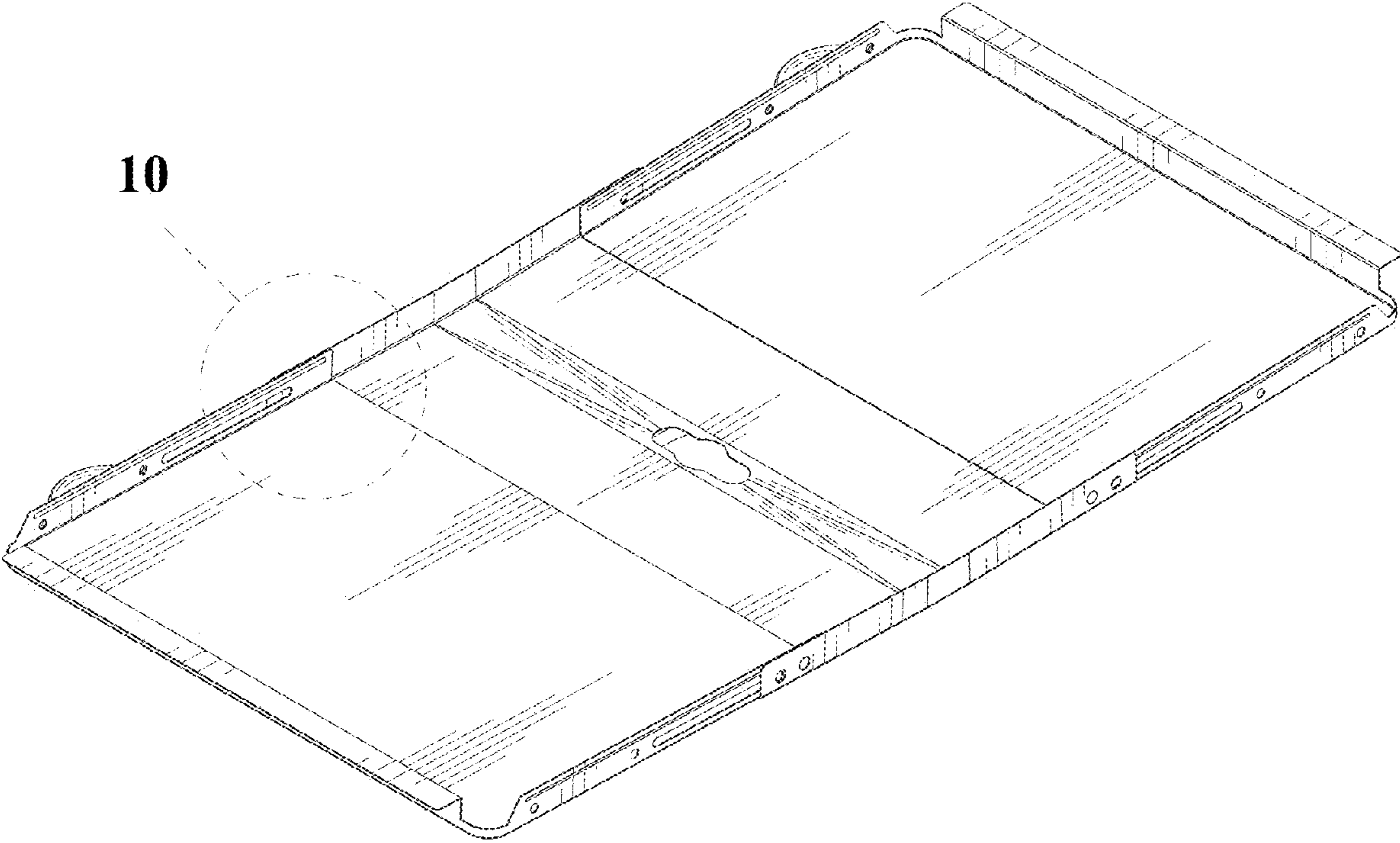


FIG. 1

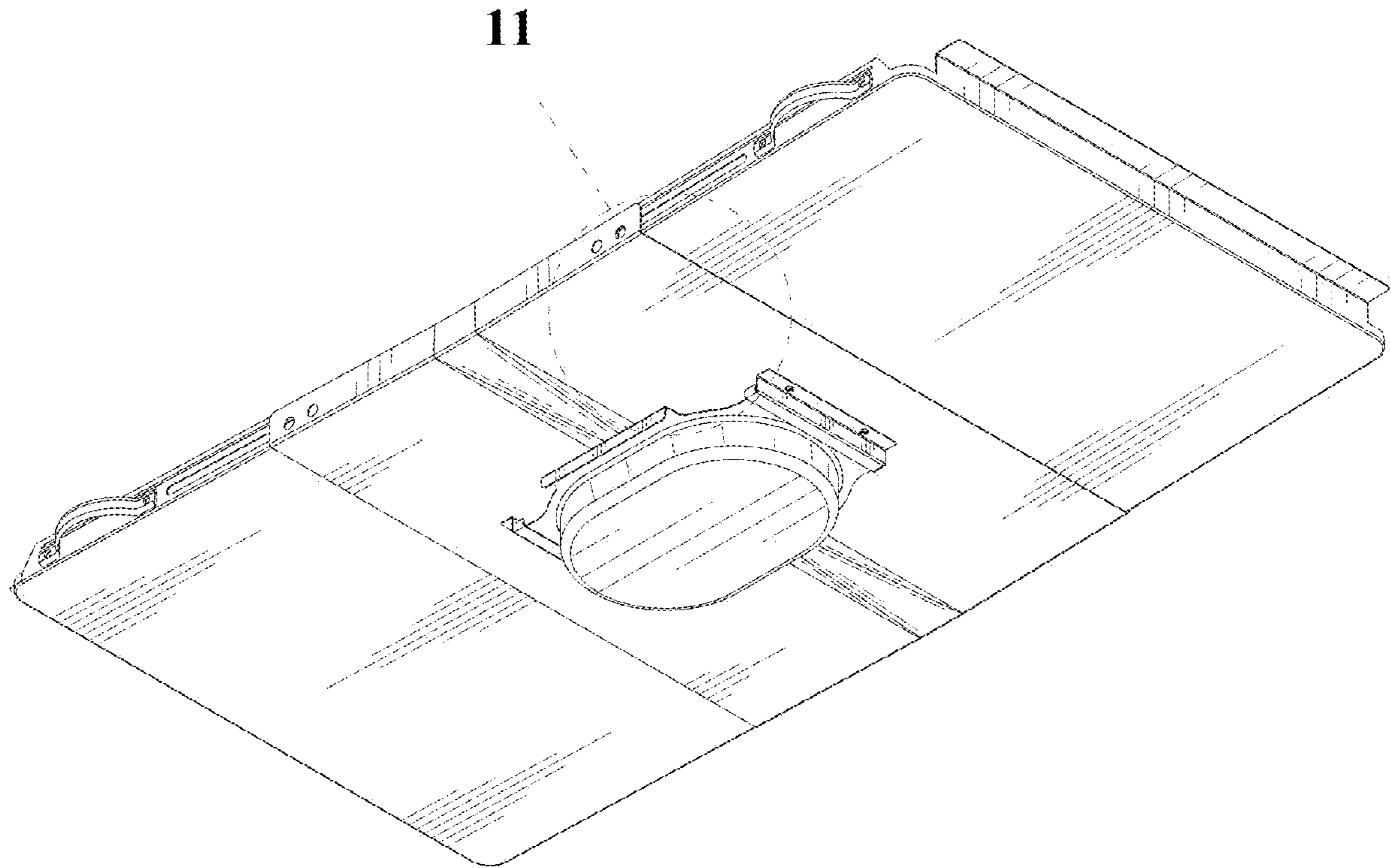


FIG. 2



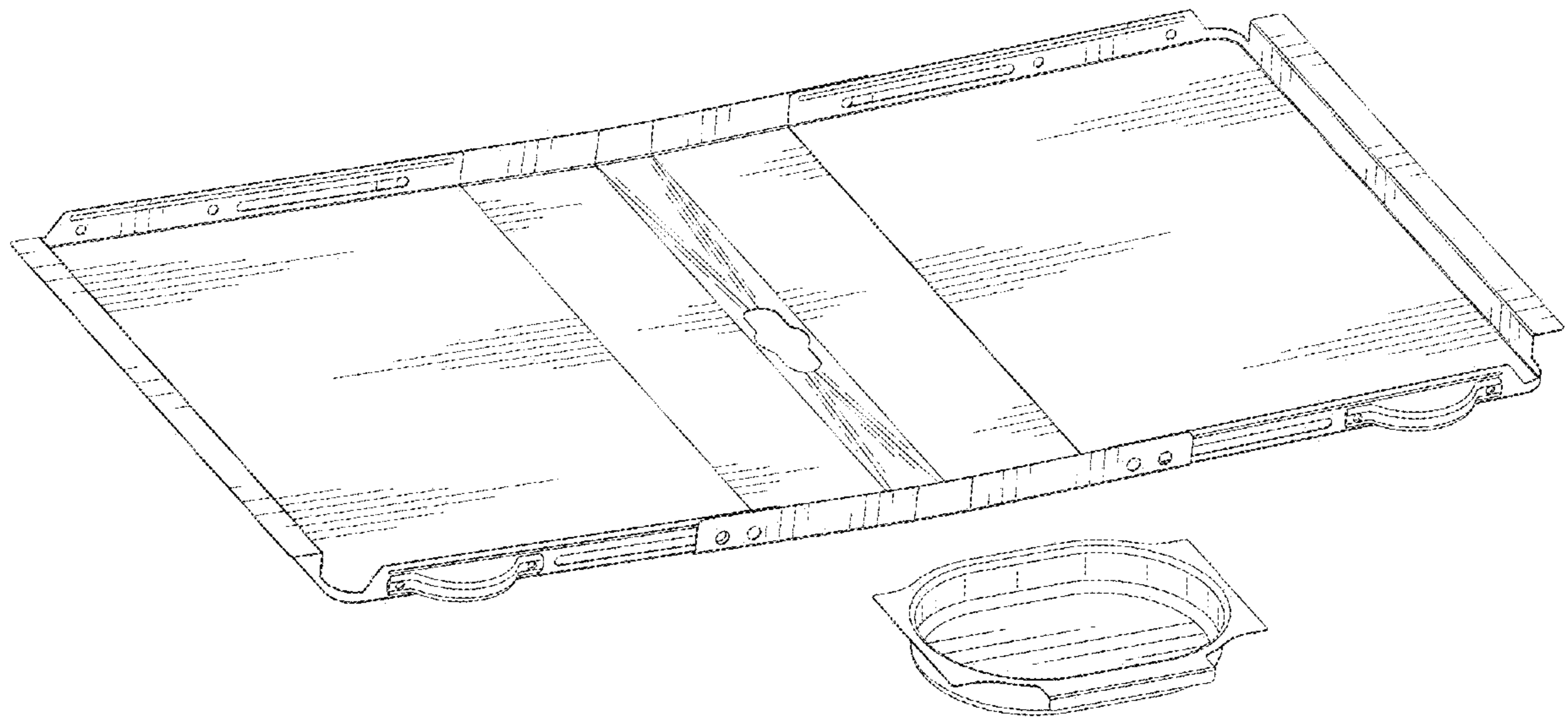


FIG. 3

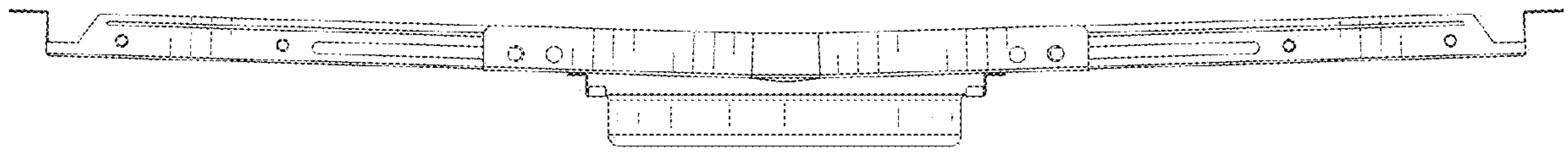


FIG. 4

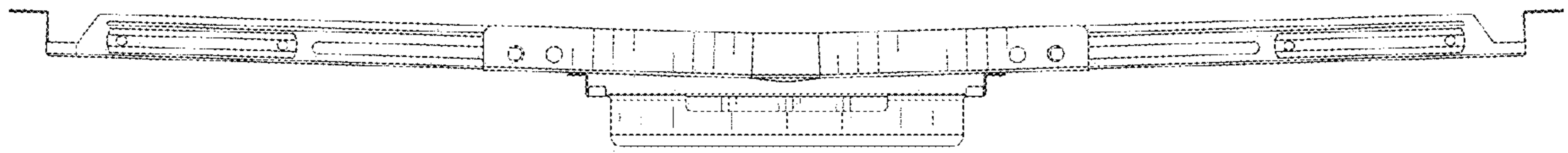
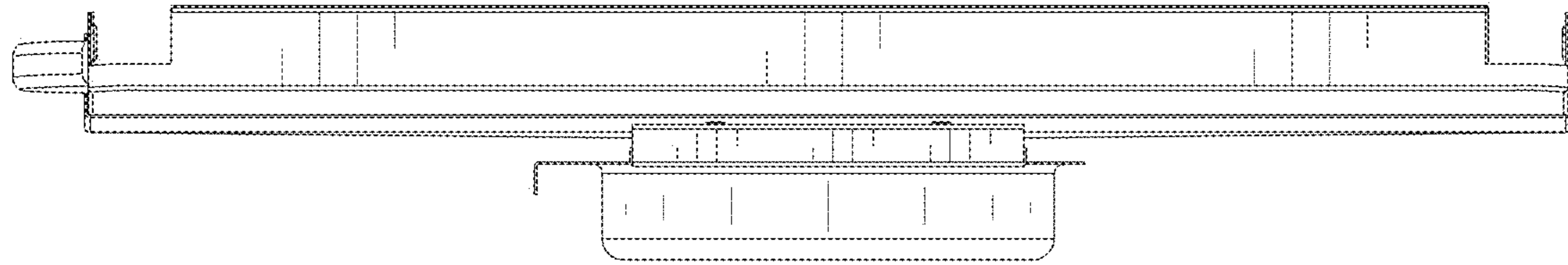
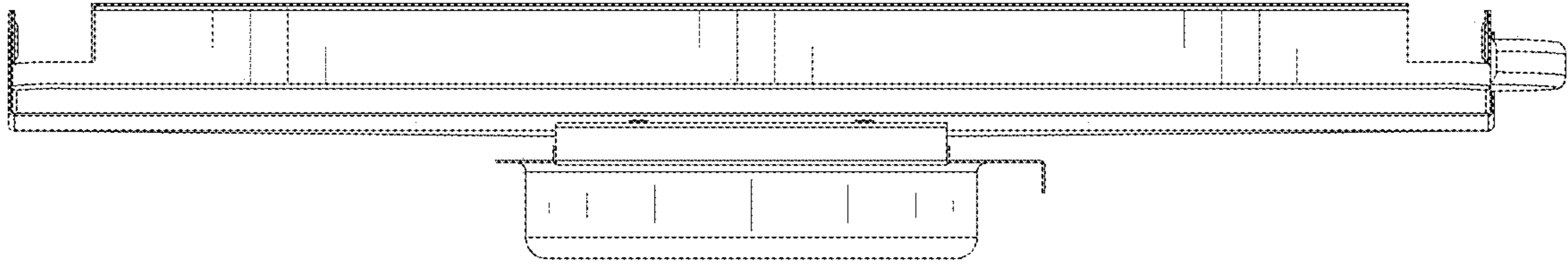


FIG. 5



**FIG. 6**





**FIG. 7**

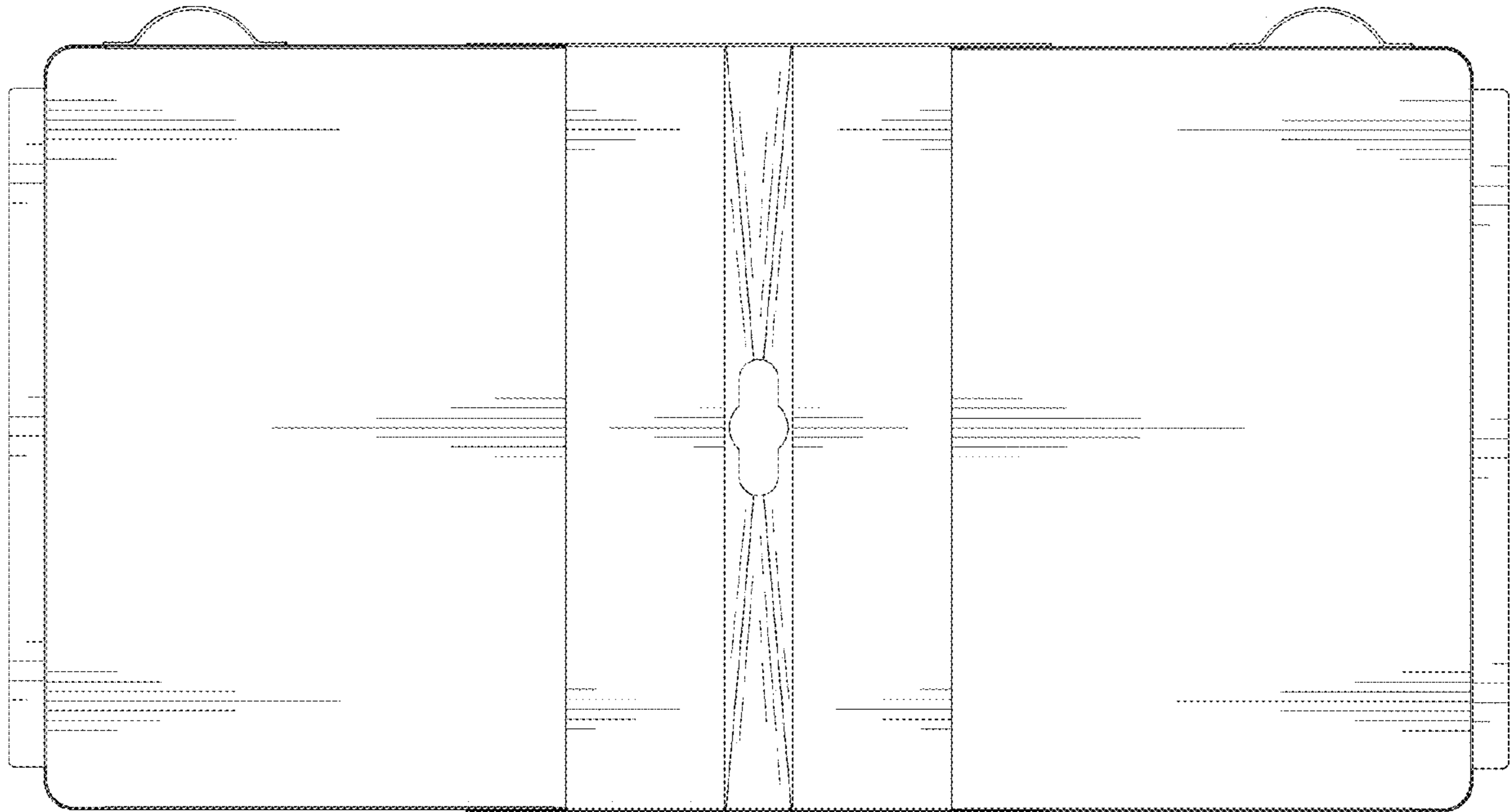


FIG. 8

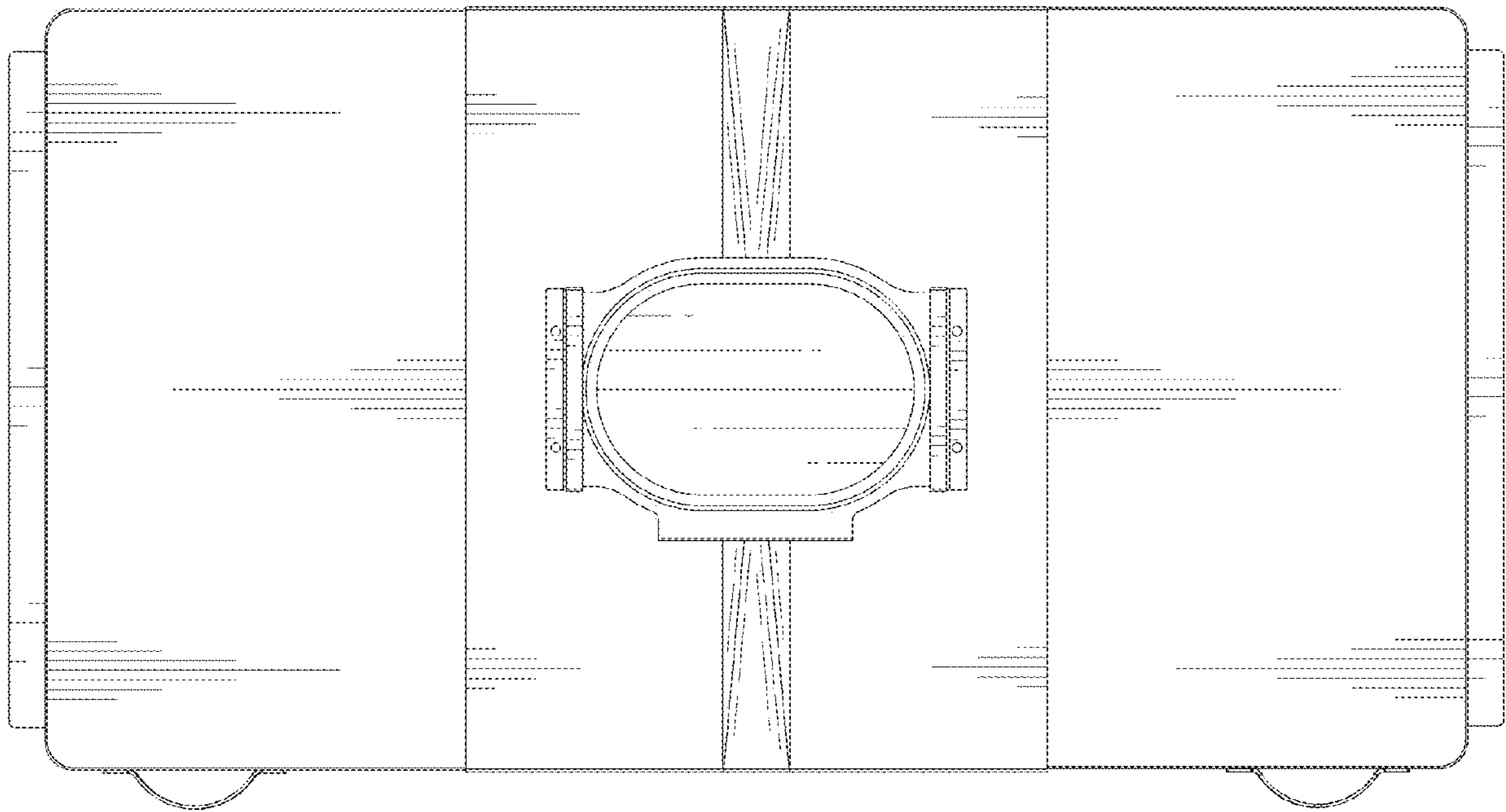
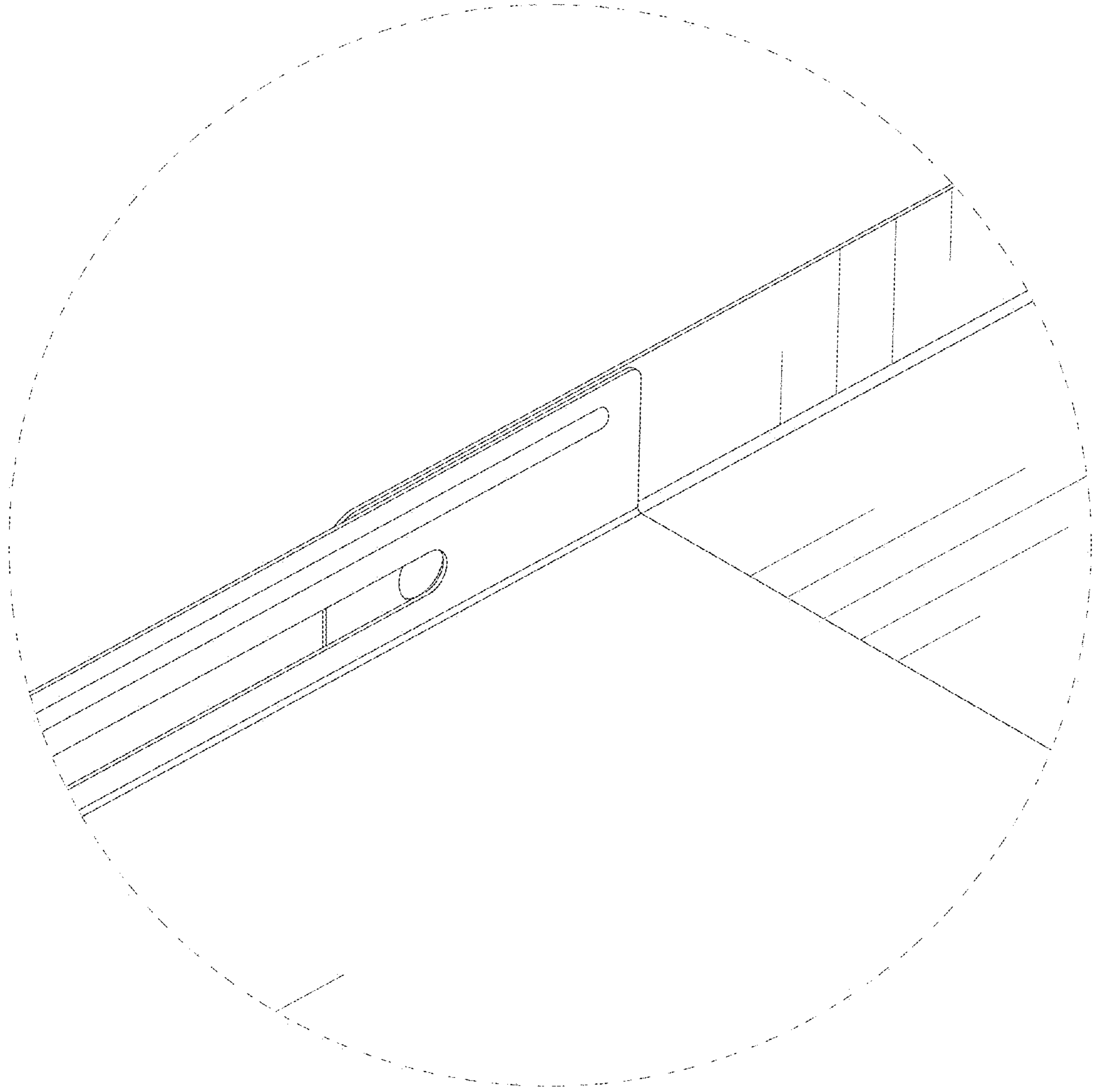
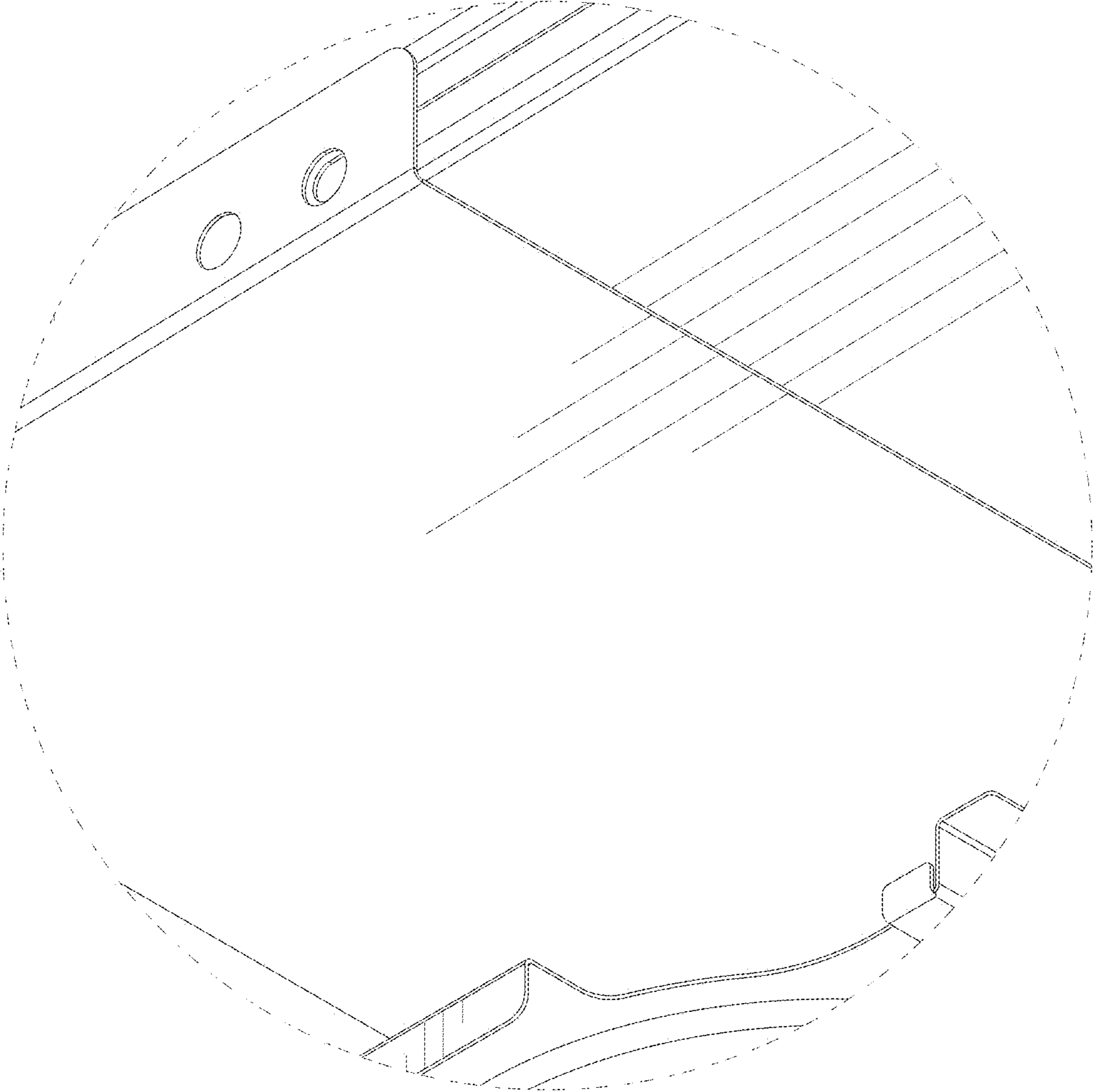


FIG. 9



**FIG. 10**



**FIG. 11**