



US00D988072S

(12) **United States Design Patent** (10) **Patent No.:** **US D988,072 S**
Tehrani et al. (45) **Date of Patent:** **** Jun. 6, 2023**

(54) **COOKWARE**

(71) Applicant: **Lagom Kitchen Co.**, Culver City, CA (US)

(72) Inventors: **Amir Tehrani**, Los Angeles, CA (US); **Zachary Rosner**, Los Angeles, CA (US); **Stuart Harvey Lee**, Forest Hills, NY (US); **Jochen Schaepers**, New York, NY (US)

(73) Assignee: **Lagom Kitchen Co.**, Culver City, CA (US)

(**) Term: **15 Years**

(21) Appl. No.: **29/825,171**

(22) Filed: **Jan. 28, 2022**

Related U.S. Application Data

(60) Continuation of application No. 29/800,803, filed on Jul. 23, 2021, now Pat. No. Des. 972,881, which is a (Continued)

(51) **LOC (14) Cl.** **07-03**

(52) **U.S. Cl.**
USPC **D7/395**

(58) **Field of Classification Search**
USPC D7/323, 352, 354, 355, 356, 357, 358, D7/359, 360, 361, 362, 363, 364, 365, D7/366, 391, 393, 394, 395, 402; D3/304; D9/736, 749, 755, 758, 760, D9/456

CPC .. A21B 3/00; A21B 3/13; A21B 3/131; A21B 3/132; A21B 3/135; A21B 3/136; A21B 3/137; A47J 29/00; A47J 29/02; A47J 29/06; A47J 36/00; A47J 36/02; A47J 36/06; A47J 36/16; A47J 36/24; A47J 36/022; A47J 36/027; A47J 37/00; A47J

(Continued)

(56) **References Cited**

U.S. PATENT DOCUMENTS

D28,261 S 2/1898 Bowers
D41,717 S 8/1911 Swan
(Continued)

FOREIGN PATENT DOCUMENTS

CA 2455023 A1 7/2004
CA 146558 * 3/2013
(Continued)

OTHER PUBLICATIONS

The Instafamous Always Pan Is Not Worth the Hype, announced Oct. 19, 2021 [online], retrieved Feb. 22, 2023, retrieved from internet, <https://www.nytimes.com/wirecutter/reviews/always-pan-our-place/>.*

(Continued)

Primary Examiner — Messina L Smith

(74) *Attorney, Agent, or Firm* — Banner & Witcoff, Ltd.

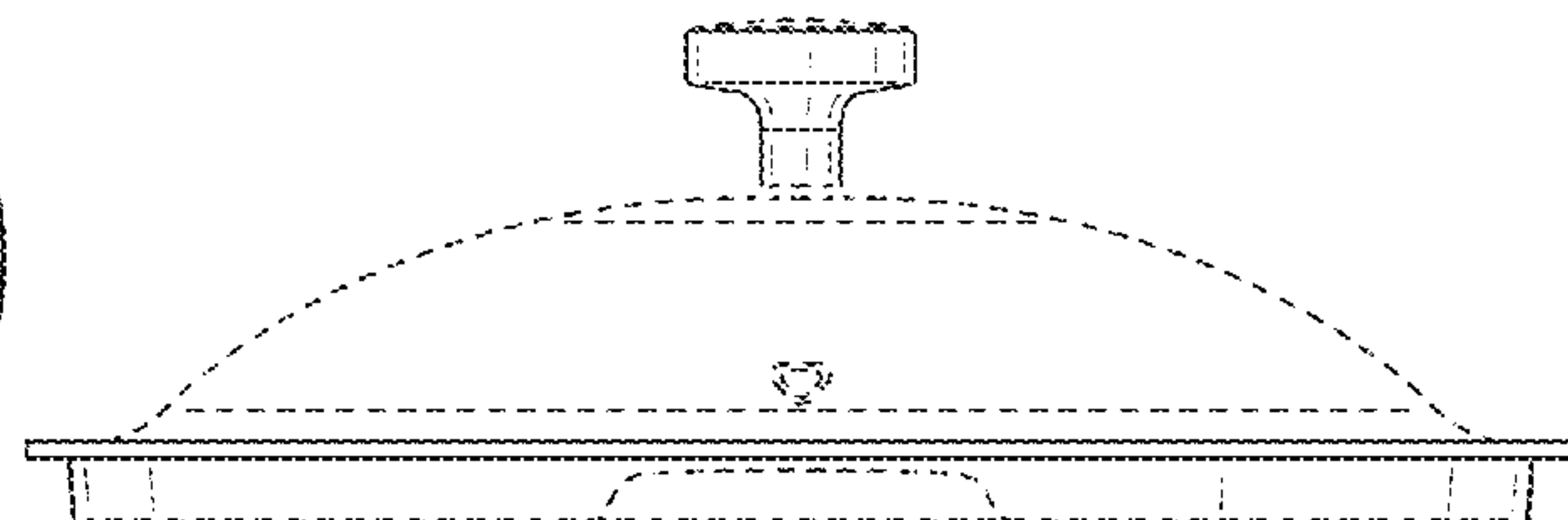
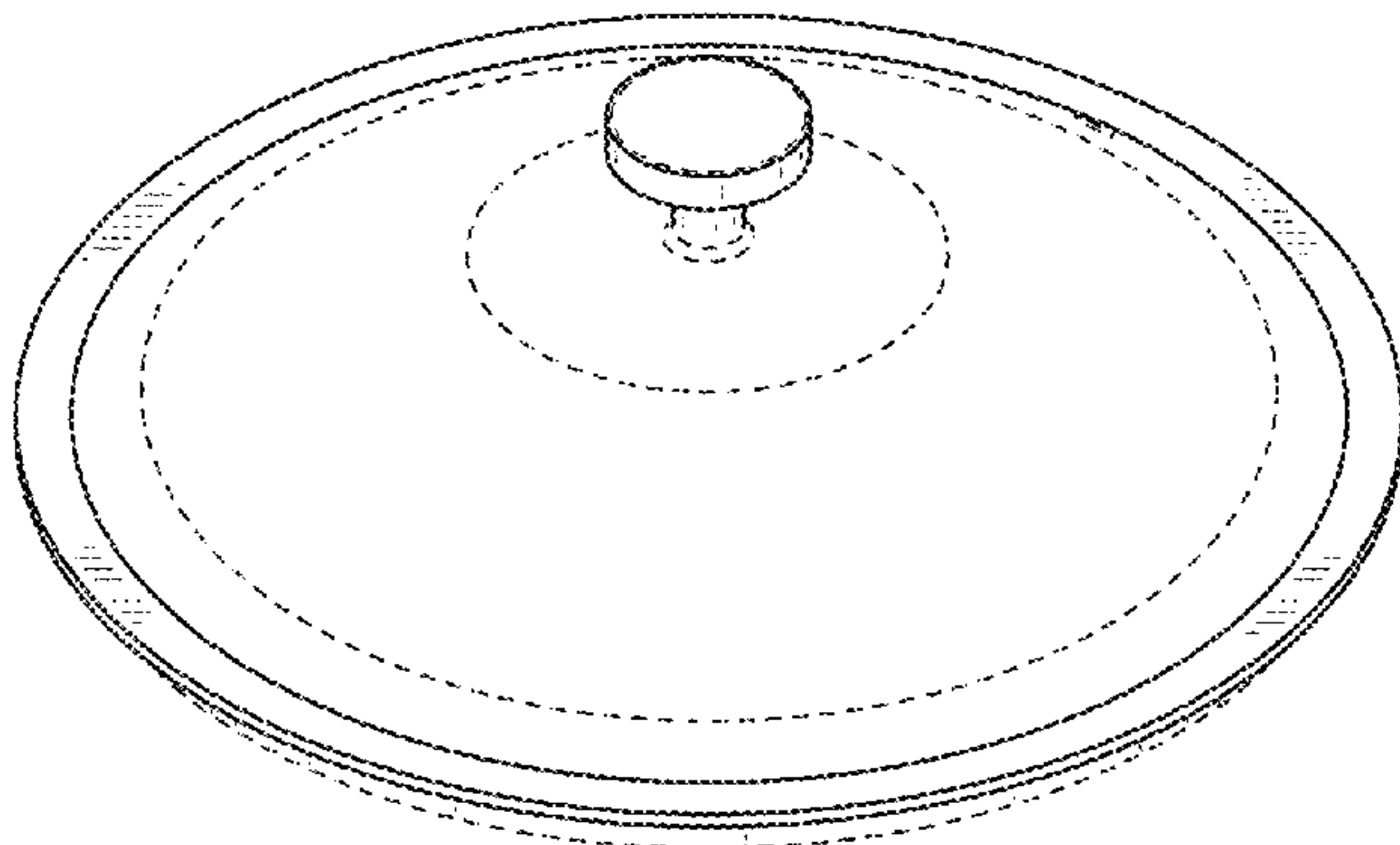
(57) **CLAIM**

The ornamental design for a cookware, as shown and described.

DESCRIPTION

FIG. 1 is a perspective view taken from the top of a cookware showing our new design; FIG. 2 is a right side elevation view thereof, the left side elevation view being a mirror image thereof; FIG. 3 is a front elevation view thereof; FIG. 4 is a rear elevation view thereof; and, FIG. 5 is a top plan view thereof. The broken lines immediately adjacent to the shaded area represent unclaimed boundaries of the design. The broken lines showing portions of the cookware form no part of the claimed design.

1 Claim, 3 Drawing Sheets



Related U.S. Application Data

division of application No. 29/748,445, filed on Aug. 28, 2020, now Pat. No. Des. 929,798, which is a continuation-in-part of application No. 29/699,401, filed on Jul. 25, 2019, now Pat. No. Des. 916,547.

- (58) **Field of Classification Search**
 CPC . 37/01; A47J 37/04; A47J 37/06; A47J 37/10;
 A47J 37/07
 See application file for complete search history.

(56) **References Cited**

U.S. PATENT DOCUMENTS

2,428,894 A * 10/1947 Serio A47J 37/101
 126/384.1
 D180,546 S 7/1957 Coon
 3,349,948 A * 10/1967 Hughes A47J 36/06
 220/231
 D212,704 S 11/1968 Benes
 4,310,418 A 1/1982 Busbey
 D267,388 S 12/1982 Spoeth, Jr. et al.
 D273,168 S 3/1984 Bowen et al.
 D273,755 S 5/1984 Thurlow
 D274,402 S 6/1984 Ziskind
 D324,624 S 3/1992 Gerlach
 5,242,060 A * 9/1993 Chiang A47J 47/16
 211/41.11
 5,377,859 A * 1/1995 Hacker A47J 36/06
 220/912
 D363,851 S 11/1995 Chen
 D368,623 S * 4/1996 Hacker D7/391
 D370,826 S 6/1996 Thurlow
 5,544,568 A 8/1996 Potgieter
 D412,810 S 8/1999 Alfred
 D438,754 S * 3/2001 Mendelson D7/391
 D443,174 S * 6/2001 Rae D7/393
 D452,413 S 12/2001 Rae
 6,419,107 B1 7/2002 Cheng
 D469,655 S 2/2003 Ryan
 D480,598 S 10/2003 Teisen-Simony et al.
 6,730,889 B1 5/2004 Jones-Lawlor
 6,848,592 B2 2/2005 Logiudice
 D550,030 S 9/2007 Peterson
 D572,523 S 7/2008 Baker
 D579,714 S 11/2008 Cheng et al.
 D580,214 S 11/2008 Dodane
 D581,721 S 12/2008 Rae
 D584,918 S * 1/2009 Loring D7/391
 D587,062 S 2/2009 Ek
 D587,066 S * 2/2009 Loring D7/391
 D587,519 S 3/2009 Cheng
 D592,483 S 5/2009 Ricereto
 D600,497 S 9/2009 Ek
 D625,949 S 10/2010 Rae
 D666,272 S * 8/2012 Shi D7/354
 D732,885 S 6/2015 Accoceberry et al.
 D734,982 S 7/2015 Sampognaro et al.
 D736,589 S 8/2015 Watson
 D738,676 S 9/2015 Accoceberry
 D749,356 S 2/2016 Steiner
 D756,163 S 5/2016 Gabbay
 D757,486 S 5/2016 Steiner
 D796,412 S * 9/2017 Aker, Jr. D12/213
 D797,494 S 9/2017 Mirchandani
 D798,649 S * 10/2017 Keating D7/354
 D798,650 S 10/2017 Joseph
 D810,501 S 2/2018 Kastner et al.
 D812,414 S 3/2018 Kastner et al.
 9,930,990 B1 4/2018 Gupta et al.
 D819,393 S 6/2018 Dodane
 D826,630 S * 8/2018 Wong D7/391
 D832,024 S 10/2018 Wessels
 D845,063 S 4/2019 Marques, Jr.
 D847,562 S 5/2019 Wang
 D850,186 S 6/2019 Livingston

D852,576 S 7/2019 Jamison
 D879,546 S 3/2020 Hollinger
 D880,222 S 4/2020 Hollinger
 10,610,057 B1 4/2020 Billman et al.
 D883,731 S 5/2020 Tsai
 D888,490 S 6/2020 Li
 D914,477 S 3/2021 Watson
 D916,547 S * 4/2021 Tehrani D7/361
 D922,131 S 6/2021 Hoff et al.
 D924,622 S 7/2021 Turner
 D925,274 S * 7/2021 Dorion D7/354
 D929,798 S * 9/2021 Tehrani D7/361
 D931,679 S 9/2021 Lee
 D940,531 S 1/2022 Anderson
 D942,836 S 2/2022 Groleski
 D959,891 S 8/2022 Tehrani et al.
 D972,881 S * 12/2022 Tehrani D7/391
 D975,495 S * 1/2023 Olsen D7/391
 2001/0042753 A1 11/2001 Park
 2004/0060936 A1 4/2004 Logiudice
 2005/0205577 A1 9/2005 Park
 2009/0095169 A1 4/2009 York
 2011/0260023 A1 10/2011 Braun
 2012/0055347 A1 3/2012 Kim
 2013/0037553 A1 2/2013 Bourbeau
 2014/0326733 A1 11/2014 Park
 2017/0172345 A1 6/2017 Bennett
 2018/0271332 A1 9/2018 Chang et al.
 2018/0368625 A1 12/2018 Wada
 2022/0133082 A1 * 5/2022 Tehrani A47J 27/04
 220/573.1

FOREIGN PATENT DOCUMENTS

CN 3429097 3/2005
 CN 3529814 5/2006
 CN 300721099 12/2007
 CN 301563511 S 6/2011
 CN 301663958 S 9/2011
 CN 302251535 S 12/2012
 CN 302658065 S 11/2013
 CN 302713924 S 1/2014
 CN 303230005 S 6/2015
 CN 303365292 S 9/2015
 CN 303984652 S 12/2016
 CN 304025291 S 2/2017
 CN 304155752 S 6/2017
 CN 304178879 S 6/2017
 CN 304211163 * 7/2017
 CN 304290858 * 9/2017
 CN 304418809 * 12/2017
 CN 304740899 S 7/2018
 CN 304872685 S 11/2018
 CN 305207802 6/2019
 CN 305243354 S 7/2019
 CN 305263761 S 7/2019
 CN 305335467 S 9/2019
 CN 305354514 S 9/2019
 CN 305607190 2/2020
 CN 305731511 S 4/2020
 CN 305901563 S 7/2020
 CN 305917887 S 7/2020
 CN 305954301 7/2020
 CN 306009046 S 8/2020
 CN 306528079 5/2021
 CN 306954313 11/2021
 CN 307306938 5/2022
 CN 307334597 5/2022
 CN 307802893 1/2023
 DE 8521152 U1 10/1985
 EM 007538731-0001 1/2020
 EM 007538731-0002 1/2020
 EM 007538731-0003 1/2020
 EM 007538731-0002 5/2020
 EP 2976977 A1 1/2016
 GB 1050900 S 5/1988
 GB 9007538731-0001 1/2020
 GB 9007538731-0002 1/2020
 GB 9007538731-0003 1/2020

(56)

References Cited

FOREIGN PATENT DOCUMENTS

IN	347676-001-0001		10/2021
JP	D1539389	S	12/2015
JP	D1609147	S	6/2018
JP	D1716320	*	5/2022
KR	300279789.0000	S	8/2001
KR	300350087.0000	S	4/2004
KR	300612621.0001	S	1/2012
KR	300690183.0000	*	4/2013
KR	301067199.0000	S	7/2020
RU	2264152	C1	11/2005

OTHER PUBLICATIONS

Get \$30 Off the Internet's Most Sold out Pan Just in Time for Mother's Day, announced Apr. 20, 2021 [online], retrieved Feb. 22, 2023, retrieved from internet, <https://www.intheknow.com/post/always-pan-sale/>.*

WishDirect Universal Lid for Pots and Pans, announced Sep. 22, 2018 [online], retrieved Feb. 22, 2023, retrieved from internet, <https://www.amazon.com/Universal-Stainless-Steel-Frying-Cookware/dp/B07G2XYQV2>.*

10 Inch Pan Lids for Frying Pan, announced Nov. 22, 2022 [online], retrieved Feb. 22, 2023, retrieved from internet, <https://www.amazon.com/dp/B0BN361WC8>.*

10" Stainless Steel Lid, announced Jan. 9, 2023 [online], retrieved Feb. 22, 2023, retrieved from internet, <https://www.nordicware.com/products/10-stainless-steel-lid/>.*

Aug. 5, 2022—(CA) Examination Report—App. No. 198565.

Our Place Always Pan Review, announced Feb. 23, 2021 [online], retrieved Jun. 7, 2022, retrieved from internet, <https://lemonstripes.com/lifestyle/our-place-always-pan-review/>.

How to Make Keto Potstickers, announced Mar. 17, 2020 [online], retrieved Jun. 7, 2022, retrieved from internet, <https://homemadeforelle.com/how-to-make-keto-potstickers/>.

Can the Always Pan Replace All of Your Cookware?, announced Feb. 7, 2020 [online], retrieved Jun. 7, 2022, retrieved from internet, <https://www.epicurious.com/expert-advice/our-place-always-pan-review-article>.

This Always Pan Dupe Is More Than \$100 Off RN & Shoppers Say It Makes Cooking So 'Seamless', announced Feb. 15, 2022 [online], retrieved Jun. 7, 2022, retrieved from internet, <https://stylecaster.com/macys-always-pan-dupe/>.

No. 10 Cast Iron Skillet Lid, announced Jun. 23, 2021 [online], retrieved Jun. 7, 2022, retrieved from internet, <https://fieldcompany.com/products/no-10-cast-iron-skillet-lid>.

Legend Cast Iron Skillet with Lid, announced Sep. 10, 2019 [online], retrieved Jun. 7, 2022, retrieved from internet, <https://www.amazon.com/Legend-Cast-Iron-Skillet-Lid/dp/B07XQJR9FY>.

Lodge Seasoned Cast Iron Skillet with Tempered Glass Lid, announced May 31, 2017 [online], retrieved Jun. 7, 2022, retrieved from internet, <https://www.amazon.com/Lodge-Seasoned-Skillet-Tempered-Glass/dp/B071J9HH51>.

Cast Iron Storage, announced Feb. 24, 2021 [online], retrieved Jun. 7, 2022, retrieved from internet, <https://www.southerncastiron.com/cast-iron-storage/>.

The Best Cast Iron Skillets: How Much Should You Spend?, announced Aug. 13, 2021 [online], retrieved Jun. 7, 2022, retrieved from internet, <https://therationalkitchen.com/the-best-cast-iron-skillets-how-much-should-you-spend/>.

A Pan for Just About Anything, announced Sep. 23, 2019 [online], retrieved Dec. 23, 2020, retrieved from internet, <https://www.nytimes.com/2019/09/23/dining/always-pan-from-our-place.html>.

For a New Cook, This \$145 Pan Feels Like a Steal, announced May 22, 2020 [online], retrieved Dec. 23, 2020, retrieved from internet, <https://www.gearpatrol.com/home/a725974/our-place-always-pan-review/>.

Nov. 25, 2022—(CA) Office Action—App. No. 198565.

The Instafamous Always Pan Is Not Worth the Hype, announced Oct. 19, 2021 [online], retrieved Feb. 9, 2023, retrieved from internet, <https://www.nytimes.com/wirecutter/reviews/always-pan-our-place/>.

Get \$30 Off the Internets Most Sold out Pan Just in Time for Mother's Day, announced Apr. 20, 2021 [online], retrieved Feb. 9, 2023, retrieved from internet, <https://www.intheknow.com/post/always-pan-sale/>.

The 8 Best Cookware Sets of 2023, announced Jan. 26, 2023 [online], retrieved Feb. 9, 2023, retrieved from internet, <https://www.thespruceeats.com/best-cookware-sets-4077248>.

Taste plus Grill Pan, announced Jul. 21, 2022 [online], retrieved Feb. 9, 2023, retrieved from internet, <https://www.amazon.com/Taste-plus-Nonstick-Square-Wooden/dp/B0B76XKT5D>.

International Search Report and Written Opinion for PCT/US2020/042498 dated Oct. 15, 2020.

Always Pan, announced Dec. 16, 2019 [online], retrieved Sep. 25, 2020 from Internet, https://fromourplace.com/products/always-essential-cooking-pan?utm_source=pepperjam&utm_medium=affiliate&utm_campaign=200286&clickId=3276306738.

These Designers Created a Pan That Is Able to Replace Most of Your Cookware by Itself, announced Nov. 28, 2019 [online], retrieved Sep. 25, 2020 from Internet, <https://fortune.com/2019/11/28/our-place-always-pan-cookware-design/>.

A Pan for Just About Anything, announced Sep. 23, 2019 [online], retrieved Sep. 25, 2020 from Internet, <https://www.nytimes.com/2019/09/23/dining/always-pan-from-our-place.html>.

Jan. 19, 2022—(CN) Patent Evaluation Report—App 202030797729.2.

Jan. 19, 2022—(CN) Patent Evaluation Report—App 202030795738.8.

Feb. 7, 2023—(CN) Patent Evaluation Report—App 2020301673325.

* cited by examiner

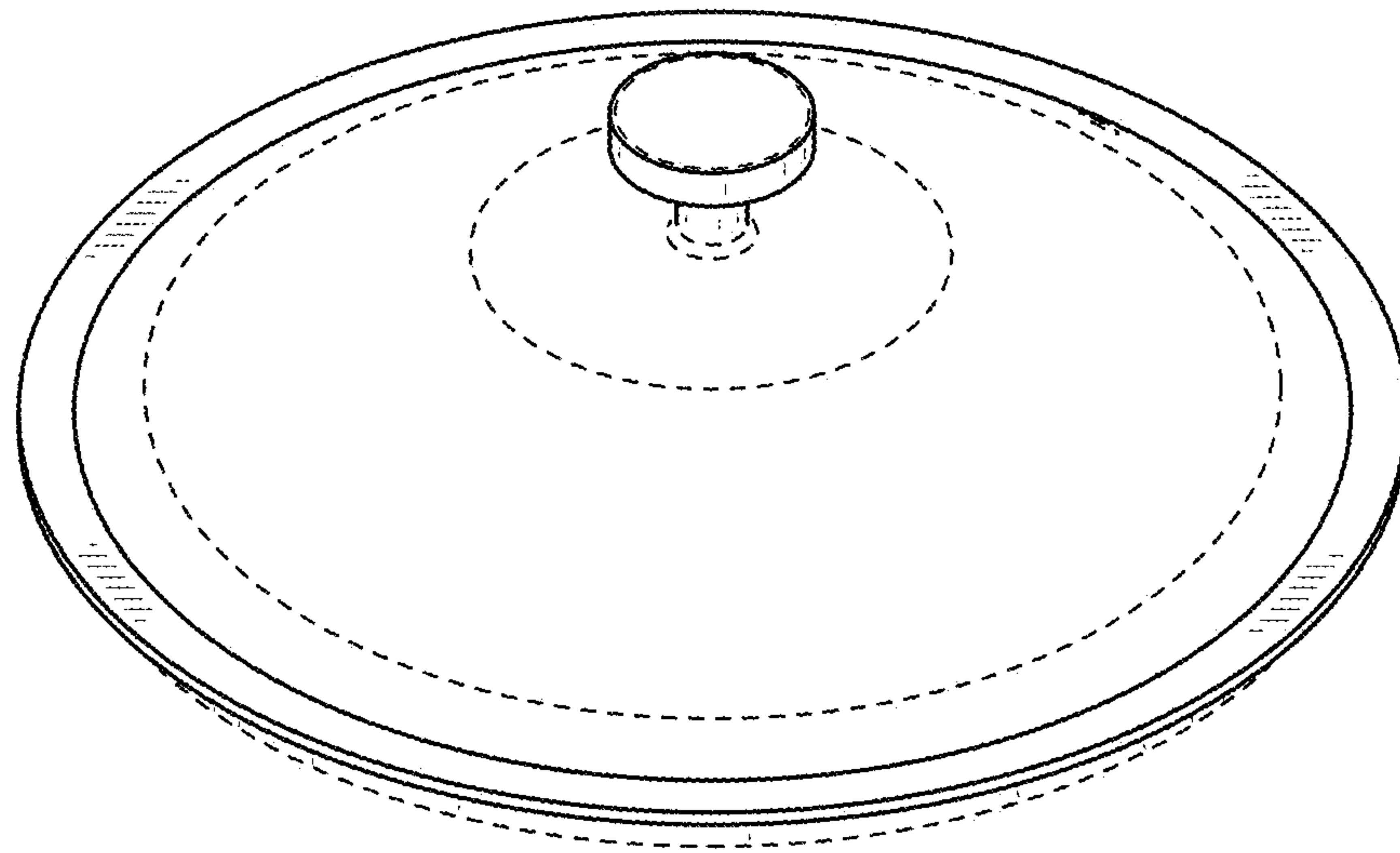


FIG. 1

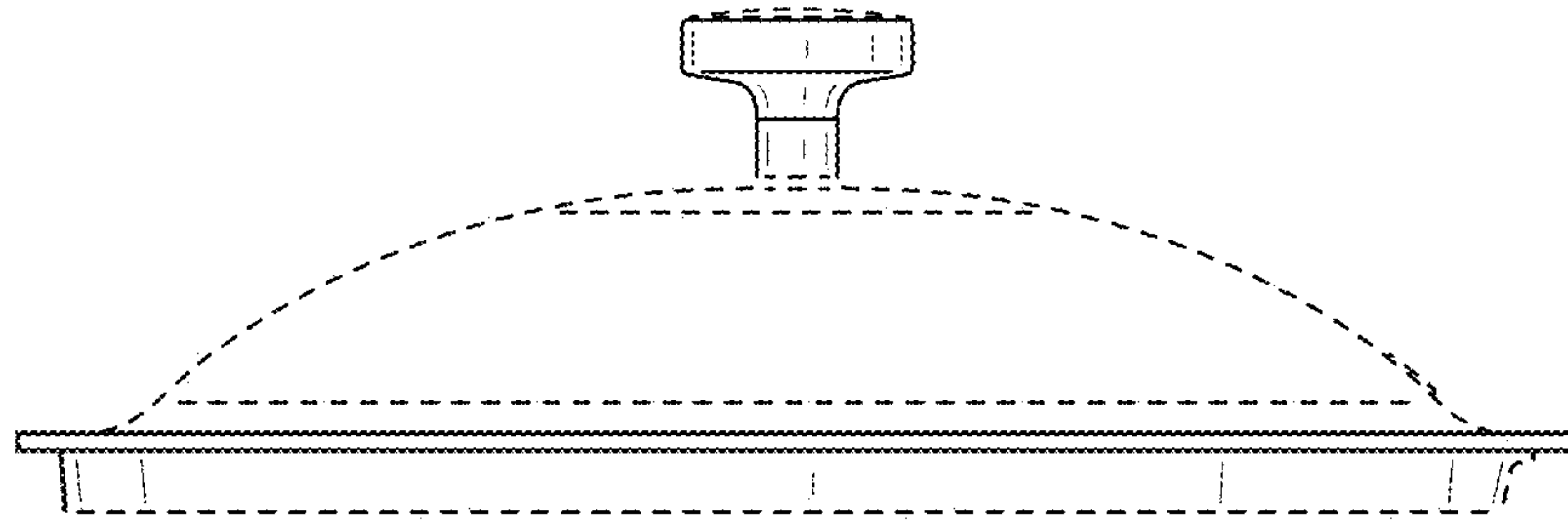


FIG. 2

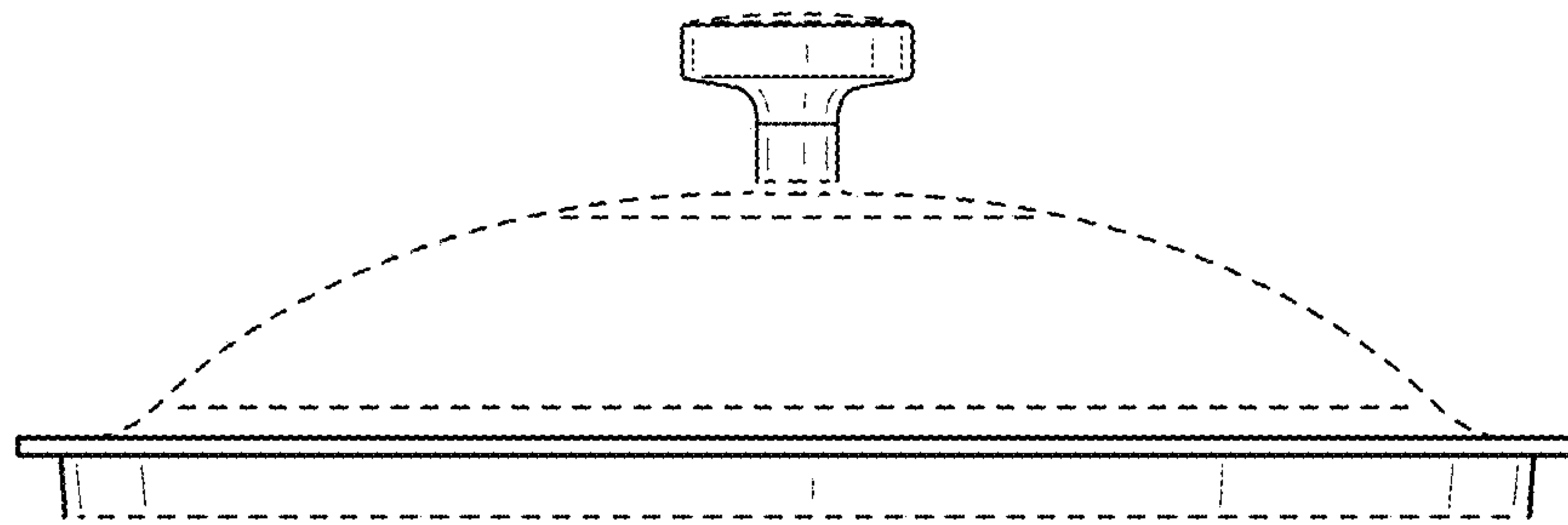


FIG. 3

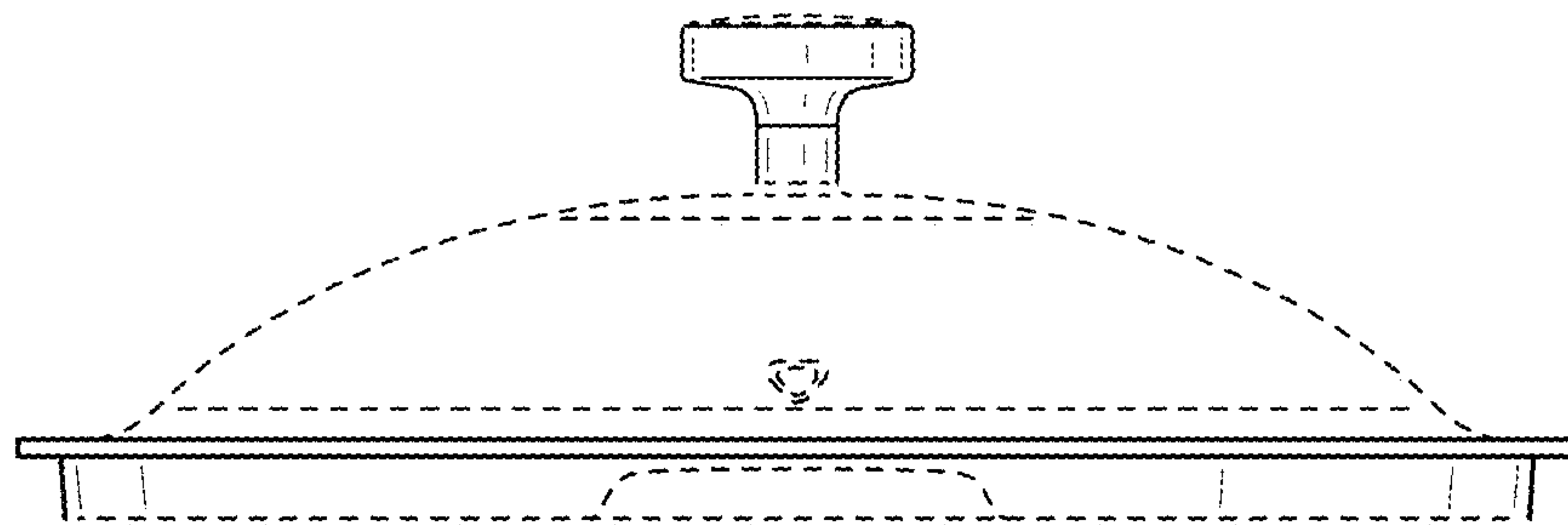


FIG. 4

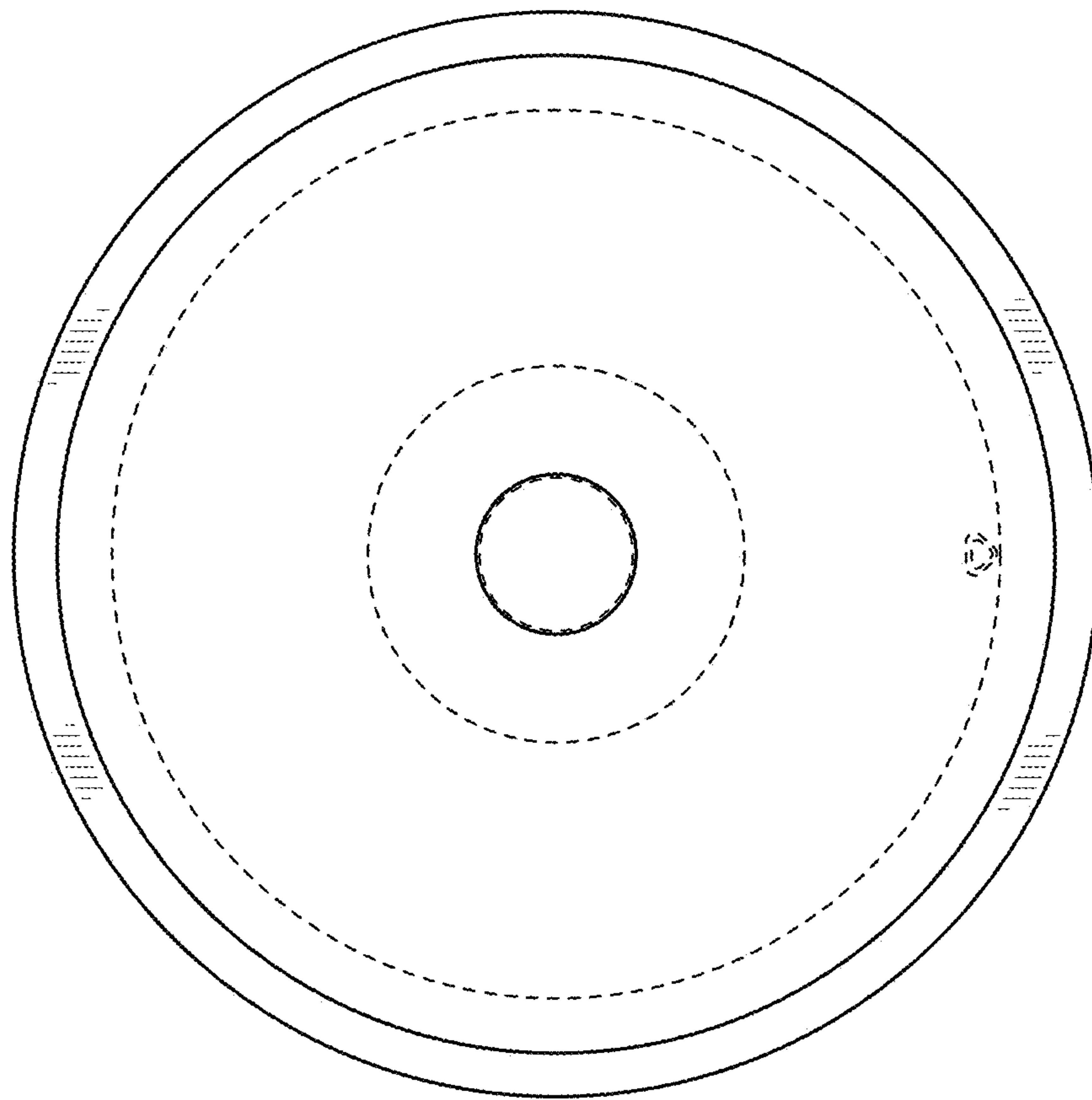


FIG. 5