



US00D988071S

(12) **United States Design Patent** (10) **Patent No.:** **US D988,071 S**
Varjabedian et al. (45) **Date of Patent:** **** Jun. 6, 2023**

- (54) **HANDLE FOR COOKWARE**
- (71) Applicant: **SharkNinja Operating LLC**,
Needham, MA (US)
- (72) Inventors: **Nicholas Varjabedian**, Taunton, MA
(US); **Dan Kestenbaum**, Brookline,
MA (US); **Daniel Van Alphen**,
Needham, MA (US)
- (73) Assignee: **SharkNinja Operating LLC**,
Needham, MA (US)

D555,424 S 11/2007 Rae
 D555,425 S 11/2007 Rae
 D555,971 S 11/2007 Rae
 D555,972 S 11/2007 Rae
 D560,426 S * 1/2008 Prakasa D7/395
 D560,428 S 1/2008 Prakasa
 (Continued)

FOREIGN PATENT DOCUMENTS

EM 0000020190001 S 4/2003
 EM 0000594310001 S 11/2003
 (Continued)

- (**) Term: **15 Years**
- (21) Appl. No.: **29/741,922**
- (22) Filed: **Jul. 16, 2020**
- (51) **LOC (14) Cl.** **07-02**
- (52) **U.S. Cl.**
USPC **D7/395**
- (58) **Field of Classification Search**
USPC D7/393-396, 387, 323, 354, 360-361,
D7/402, 533-536, 401.2, 398, 391, 619.1;
D8/300, 303, 307, 313, 321, 315, 317,
D8/320, 310, 312; D12/178; D34/27
CPC A47J 45/071; A47J 45/072; A47J 45/074;
A47J 45/07; A47J 45/00; A47J 45/06;
A47J 45/061; A47J 45/062; A47J 45/063;
B65D 25/2802; B65D 25/2882
See application file for complete search history.

OTHER PUBLICATIONS

Ninja C10030C Foodi NeverStick, Amazon [online], date first available Oct. 28, 2020, [retrieved on Feb. 28, 2022]. Retrieved from the Internet, URL: <https://www.amazon.ca/NinjaTM-FoodiTM-NeverStickTM-30-cm-slate/dp/B08M43NVZ7/>.
 (Continued)

Primary Examiner — Nicole C Shiflet
 (74) *Attorney, Agent, or Firm* — Mintz Levin Cohn Ferris Glovsky and Popeo, PC

(57) **CLAIM**

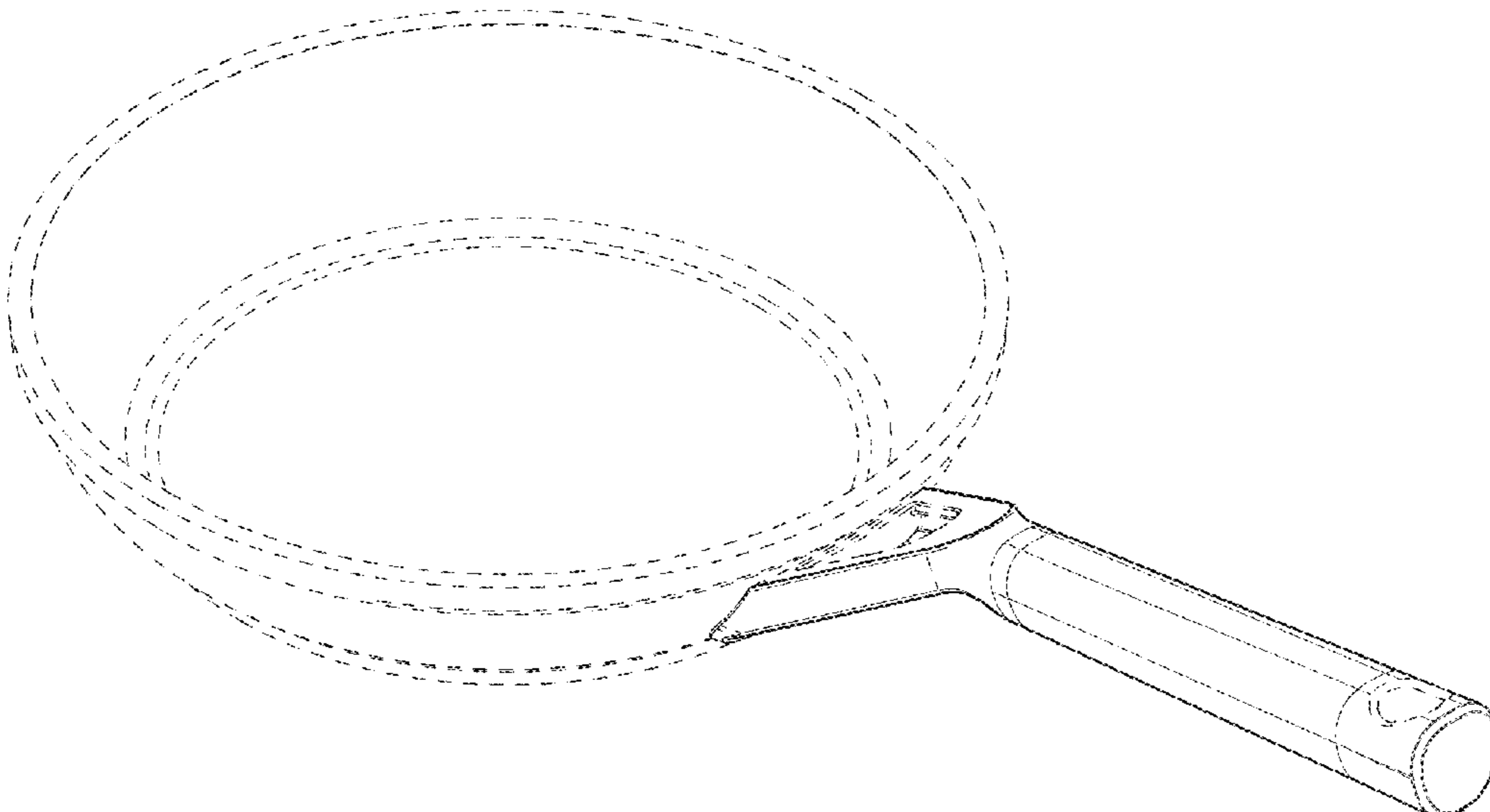
We claim the ornamental design for a handle for cookware, as shown and described.

DESCRIPTION

FIG. 1 is a perspective view of a handle for cookware;
 FIG. 2 is a front view thereof;
 FIG. 3 is a rear view thereof;
 FIG. 4 is a side view thereof;
 FIG. 5 is another side view thereof;
 FIG. 6 is a top view thereof; and,
 FIG. 7 is a bottom view thereof.
 The broken lines illustrate features of the handle for cookware and cookware that form no part of the claimed design.

1 Claim, 7 Drawing Sheets

- (56) **References Cited**
U.S. PATENT DOCUMENTS
D407,600 S 4/1999 Logiudice
D426,107 S 6/2000 Cheng
D439,108 S 3/2001 Logiudice
D444,347 S 7/2001 Logiudice
D491,016 S 6/2004 Rae
D518,331 S 4/2006 Rae
D555,421 S 11/2007 Thurlow et al.



(56)

References Cited

U.S. PATENT DOCUMENTS

D560,429 S 1/2008 Prakasa
 D567,579 S * 4/2008 Rae D7/395
 D569,682 S 5/2008 Prakasa
 D575,982 S 9/2008 Rae
 D578,345 S * 10/2008 Rae D7/395
 D581,721 S * 12/2008 Rae D7/360
 D589,744 S 4/2009 Rae
 D593,794 S 6/2009 Rae
 D596,895 S 7/2009 Tetreault et al.
 D596,897 S 7/2009 Tetreault et al.
 D596,898 S 7/2009 Tetreault et al.
 D598,704 S 8/2009 Tetreault et al.
 D599,165 S 9/2009 Rae
 D610,401 S 2/2010 Pantaleo
 D617,142 S 6/2010 Pantaleo
 D617,607 S 6/2010 Pantaleo
 D618,052 S * 6/2010 Rae D7/395
 D622,098 S 8/2010 Pantaleo
 D630,055 S * 1/2011 Rae D7/395
 D630,470 S 1/2011 McEldowney
 D630,889 S * 1/2011 Rae D7/395
 D645,698 S * 9/2011 Rae D7/395
 D653,078 S 1/2012 Cheng et al.
 D658,002 S 4/2012 Rae
 D658,004 S 4/2012 Rae
 D667,689 S 9/2012 Rae
 D667,690 S 9/2012 Rae
 D667,691 S 9/2012 Rae
 D682,013 S 5/2013 Huang
 D682,023 S 5/2013 Rae
 D699,511 S * 2/2014 Rae D7/395
 D704,998 S 5/2014 Rae
 D705,001 S 5/2014 Rae
 D713,678 S 9/2014 Rae
 D713,681 S 9/2014 Rae
 D729,570 S 5/2015 Barberi
 D730,685 S * 6/2015 Barberi D7/395
 D746,102 S 12/2015 Zucchi
 D746,103 S 12/2015 Zucchi
 D749,356 S 2/2016 Steiner

D757,488 S 5/2016 McConnell et al.
 D763,618 S 8/2016 Feng et al.
 D795,010 S 8/2017 Barberi
 D798,655 S 10/2017 Barberi
 D809,337 S 2/2018 Chen
 D813,596 S 3/2018 Zucchi
 D834,875 S * 12/2018 Feng D7/361
 D849,470 S * 5/2019 Hollinger D7/395
 D862,978 S 10/2019 Hollinger
 D938,224 S * 12/2021 Rajasekaran D7/395

FOREIGN PATENT DOCUMENTS

EM 0002068670001 S 10/2004
 EM 0007421350004 S 7/2007
 EM 0008718010007 S 3/2008
 EM 0010715420002 S 3/2009
 EM 0016100980001 S 10/2009
 EM 0017113590004 S 8/2010
 EM 0019055220001 S 11/2011
 EM 0021010710002 S 11/2012
 EM 0022863770002 S 8/2013
 EM 0023087830001 S 9/2013
 EM 0024761270002 S 6/2014
 EM 0025406820001 S 9/2014
 EM 0025719010001 S 2/2015
 EM 0026240640007 S 5/2015
 EM 0025644350002 S 6/2015
 EM 0029946320001 S 3/2016
 EM 0034752010001 S 11/2016

OTHER PUBLICATIONS

Ninja C20020 Foodi Neverstick, Amazon [online], date first available May 12, 2021, [retrieved on Feb. 28, 2022]. Retrieved from the Internet, URL: <https://www.amazon.ca/Ninja-C20020-Neverstick-Nonstick-Cool-Touch/dp/B08WHTT5B/>.*

Ninja C60030 Foodi NeverStick, Amazon [online], date first available Apr. 23, 2021, [retrieved on Feb. 28, 2022]. Retrieved from the Internet, URL: <https://www.amazon.ca/Ninja-C60030-NeverStick-Stainless-12-Inch/dp/B08WRHCT2T/>.*

* cited by examiner

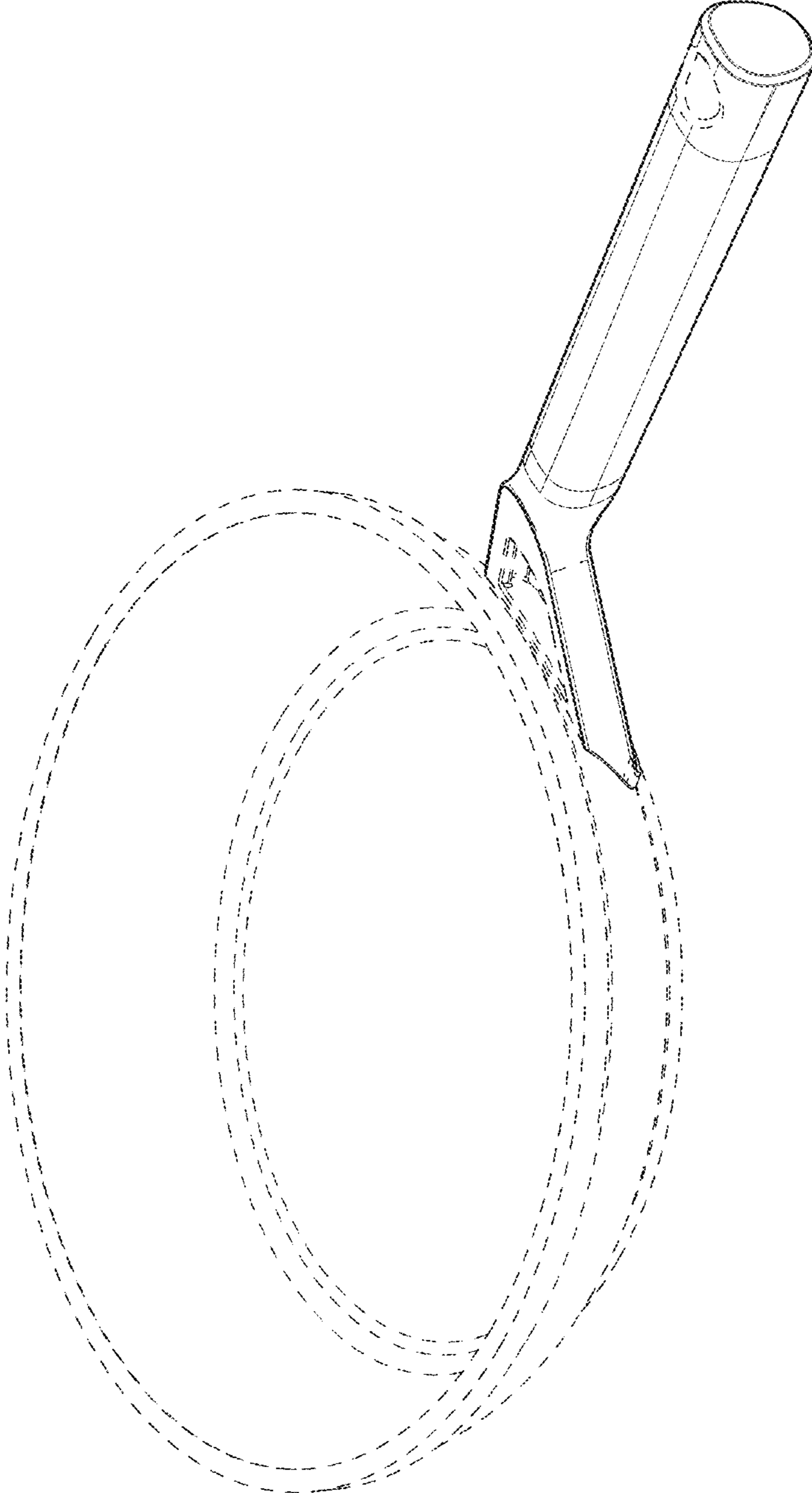


FIG. 1

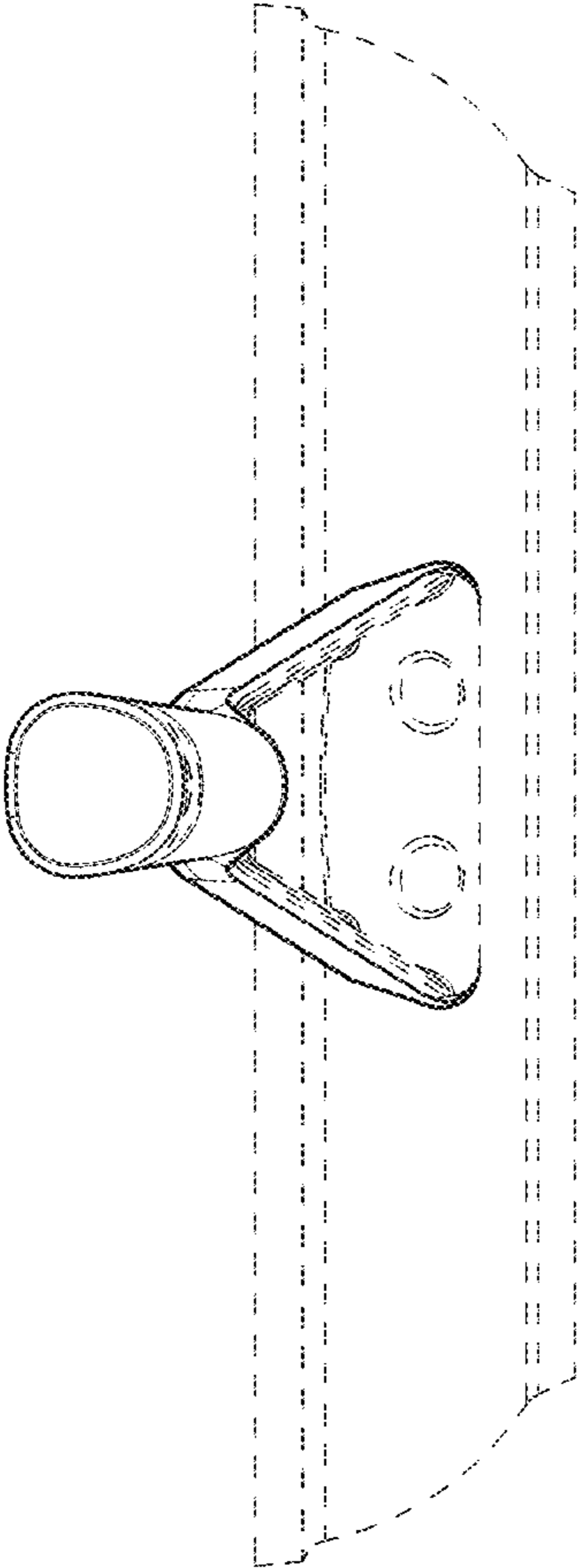


FIG. 2

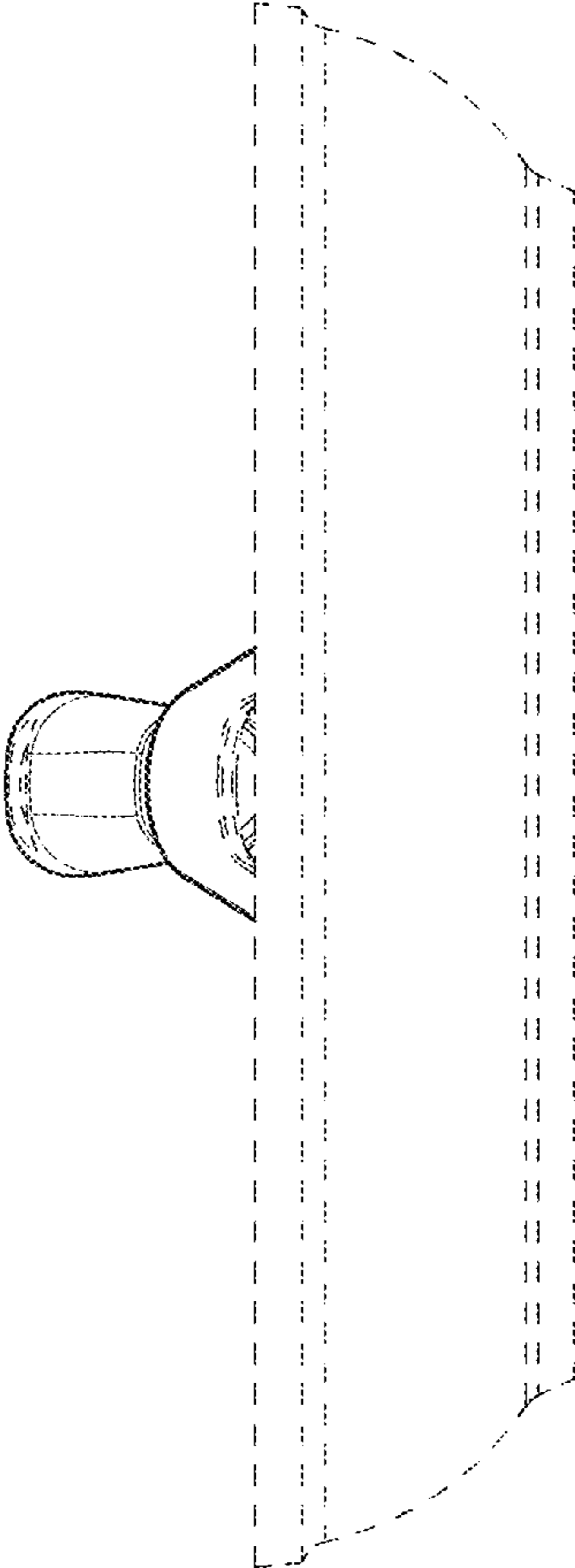


FIG. 3

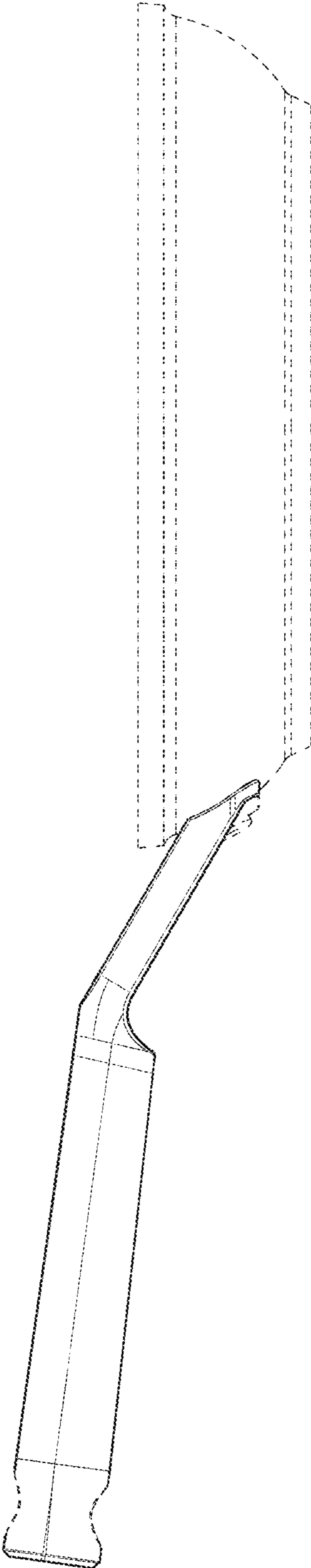


FIG. 4

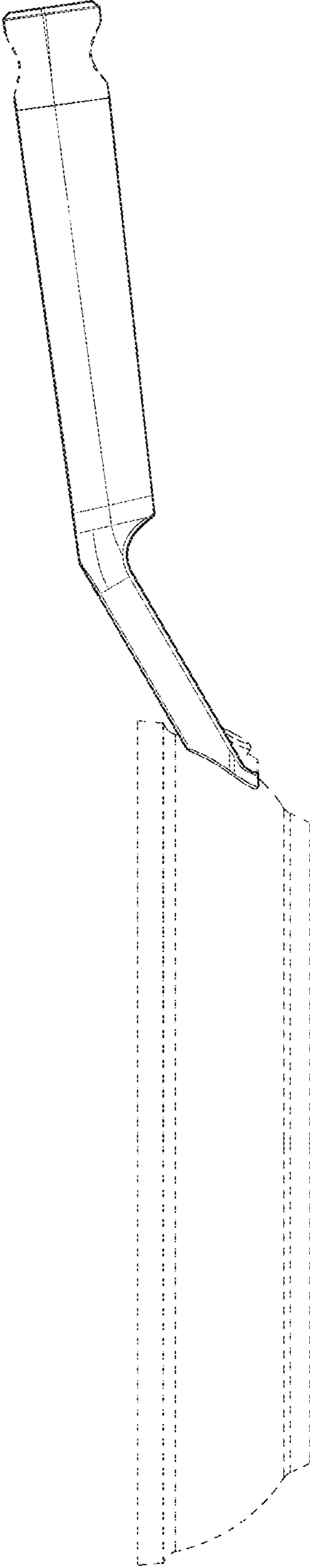


FIG. 5

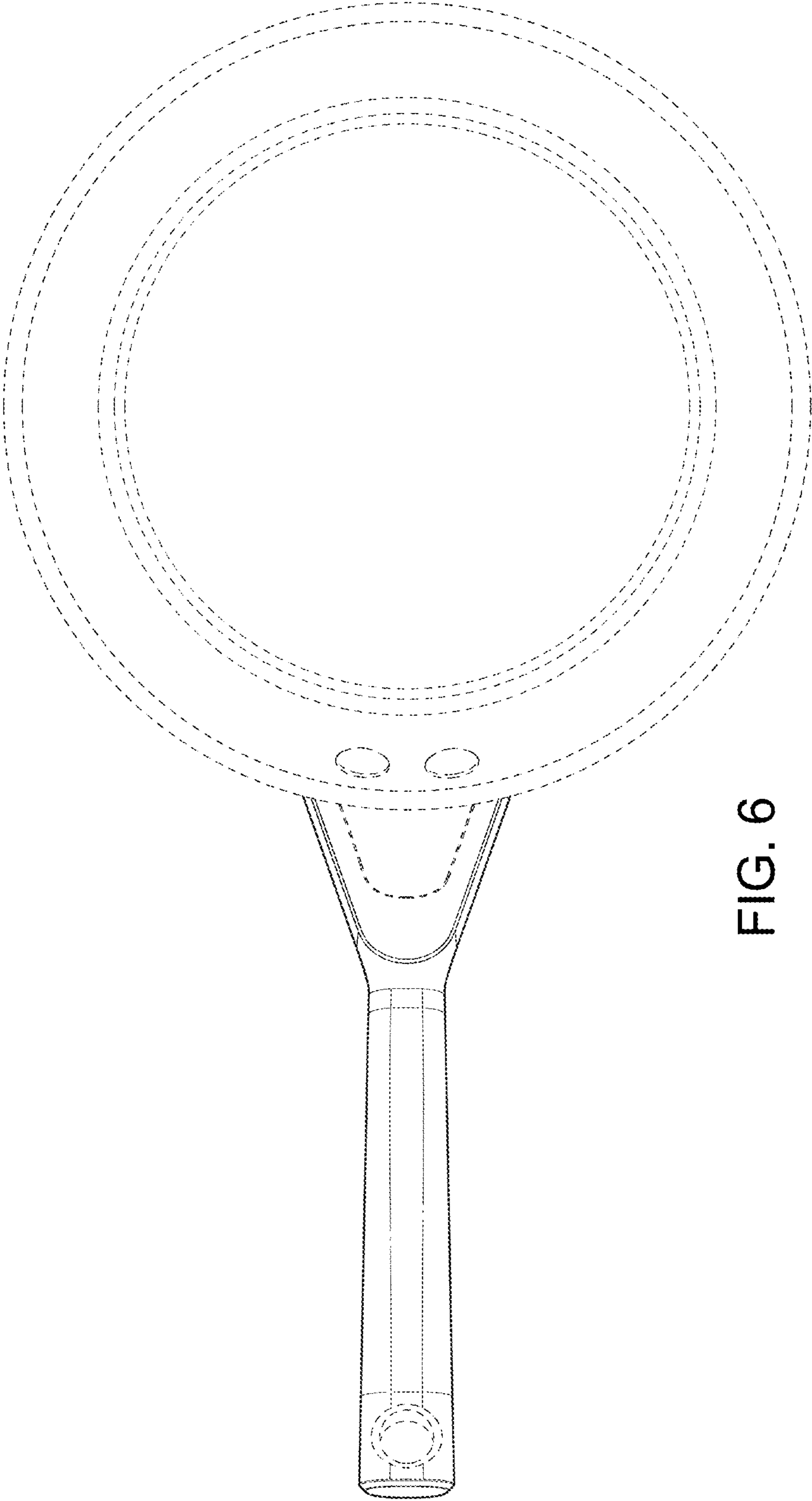


FIG. 6

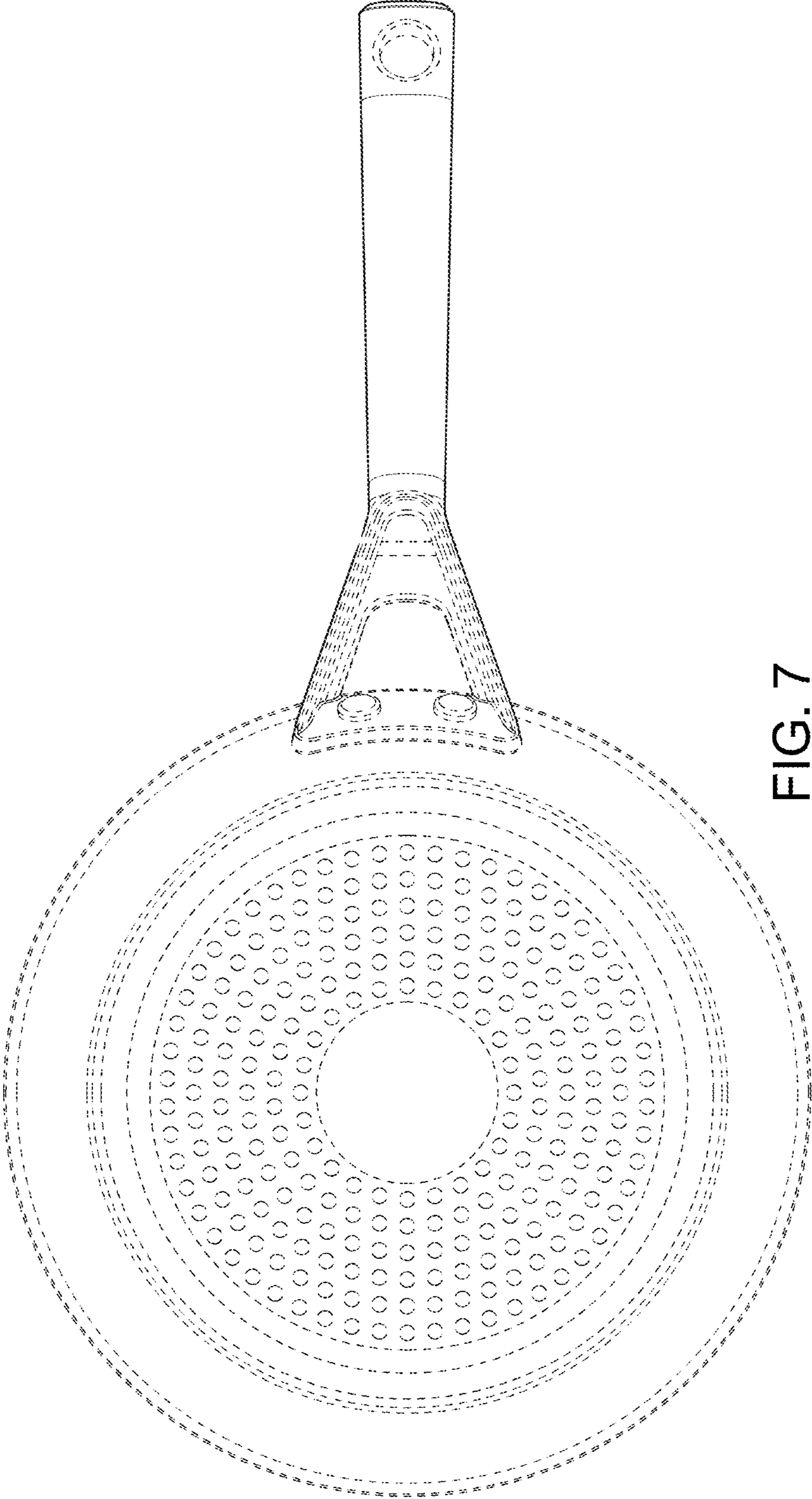


FIG. 7