



US00D988070S

(12) **United States Design Patent**
Lai

(10) **Patent No.: US D988,070 S**

(45) **Date of Patent: ** Jun. 6, 2023**

(54) **WATER BOTTLE CAP**

(71) Applicant: **Xiamen Yangchangsheng Silicone Rubber Products Co., Ltd., Xiamen (CN)**

(72) Inventor: **Fuguang Lai, Fujian (CN)**

(73) Assignee: **Xiamen Yangchangsheng Silicone Rubber Products Co., Ltd., Xiamen (CN)**

(**) Term: **15 Years**

(21) Appl. No.: **29/837,508**

(22) Filed: **May 5, 2022**

(51) **LOC (14) Cl. 07-01**

(52) **U.S. Cl.**
USPC **D7/392.1; D9/453**

(58) **Field of Classification Search**
USPC D10/68; D7/393, 507, 509, 510, 511, D7/536, 392.1, 396.1, 396.2, 300.1, 598; D3/202; D9/443, 446, 449, 453
CPC B65D 1/40; A47G 21/18; A47G 19/22; A47G 19/2288; A47G 19/2205; A47J 41/0055; A47J 41/0022; A47J 41/00; A47J 41/0077; A47J 41/0088

See application file for complete search history.

(56) **References Cited**

U.S. PATENT DOCUMENTS

D278,413 S *	4/1985	Woodcock	D9/446
D469,353 S *	1/2003	Sturk	D9/443
D475,925 S *	6/2003	Sturk	D9/446
D606,864 S *	12/2009	Robinson	D9/453
D674,277 S *	1/2013	Hanson	D9/446
D683,581 S	6/2013	Archer		
D694,109 S *	11/2013	Tanner	D9/453
D734,668 S *	7/2015	Epstein	D9/440
D763,079 S *	8/2016	Sturk	D9/447
D802,743 S *	11/2017	Davis	D9/434

D838,588 S *	1/2019	Dansreua	D9/434
D843,210 S *	3/2019	Friedman	D7/396.2
D851,983 S *	6/2019	Vazin	D7/391
D857,446 S	8/2019	Bell		

(Continued)

FOREIGN PATENT DOCUMENTS

CN	305686232	*	4/2020
CN	307276410	*	4/2022

(Continued)

OTHER PUBLICATIONS

AliExpress [online] URL: https://www.aliexpress.us/item/3256804303083152.html?gatewayAdapt=glo2usa4itemAdapt&randl_shipto=US (site visited: Dec. 6, 2022) (Year: 2022).*

(Continued)

Primary Examiner — Jae Liang

Assistant Examiner — Tia Ruth-Renee Polidori

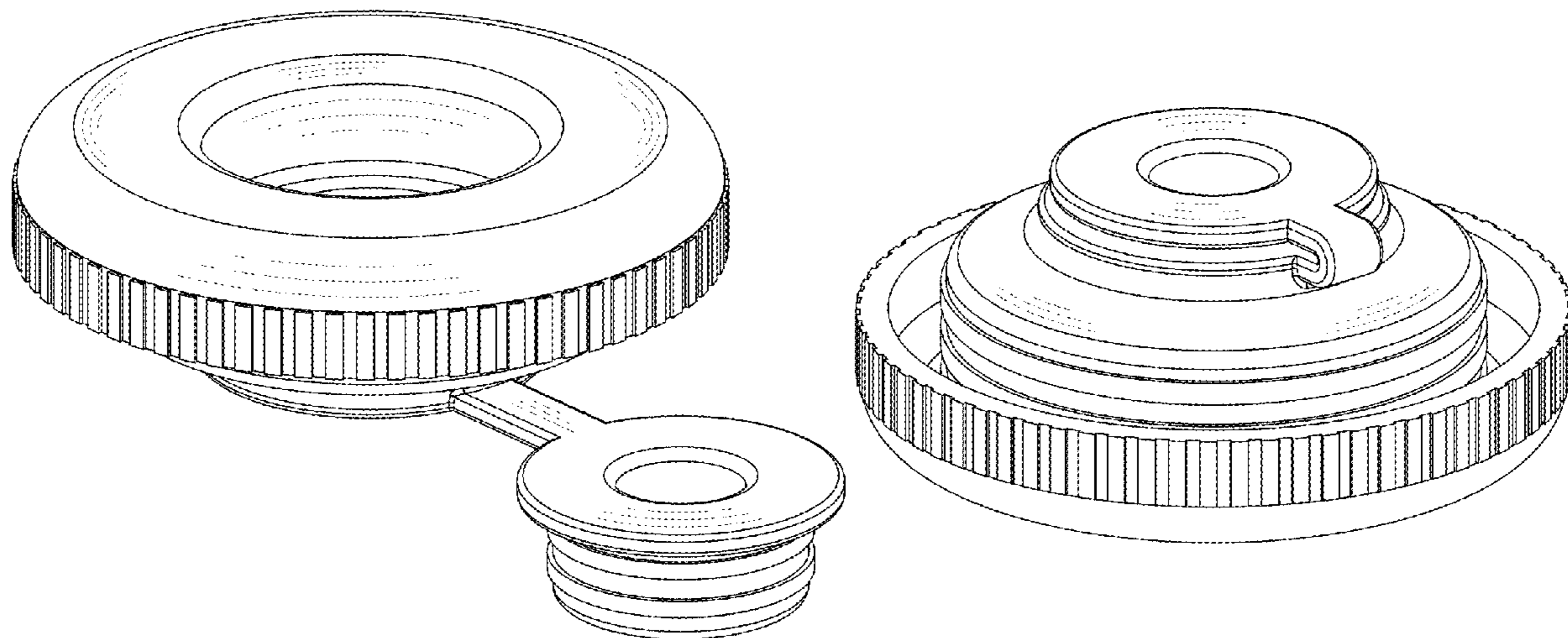
(57) **CLAIM**

The ornamental design for a water bottle cap, as shown and described.

DESCRIPTION

FIG. 1 is a top perspective view of my new design for a water bottle cap, shown in an open configuration; FIG. 2 is a bottom perspective view of my new design for a water bottle cap shown in a closed configuration; FIG. 3 is a front elevation view of my new design for a water bottle cap shown in an open configuration; FIG. 4 is a rear elevation view thereof; FIG. 5 is a left side elevation view thereof; FIG. 6 is a right side elevation view thereof; FIG. 7 is a top plan view thereof; and, FIG. 8 is a bottom plan view thereof. The portions of the water bottle cap shown in broken lines form no part of the claimed design.

1 Claim, 8 Drawing Sheets



(56)

References Cited

U.S. PATENT DOCUMENTS

D867,133 S * 11/2019 Johnson D9/449
D873,139 S * 1/2020 Chapin D9/453
D885,903 S * 6/2020 Rane D9/453
D890,565 S * 7/2020 Doucet D9/449
D899,250 S * 10/2020 Yang D9/440
D901,297 S * 11/2020 Hudson D9/454
D907,431 S * 1/2021 Friedman D9/436
D960,640 S * 8/2022 Zhou D7/402
D974,104 S * 1/2023 Glupker D7/391
D979,404 S * 2/2023 Kutcher D9/446
D980,067 S * 3/2023 Lai D9/446
2003/0192899 A1 * 10/2003 Sturk B65D 43/0212
220/792
2016/0039580 A1 * 2/2016 Roese B65D 41/58
215/233

FOREIGN PATENT DOCUMENTS

CN 307657111 * 11/2022
GB 6039423 * 7/2018
KR 301053695.0000 * 4/2020
KR 301176754.0000 * 8/2022

OTHER PUBLICATIONS

Ebay [online] URL: <https://www.ebay.com/itm/392537282462> (site visited: Dec. 6, 2022) (Year: 2022).*

iHomeYoo [online] URL: <https://www.amazon.com/Reusable-Silicone-Replacement-Silicon-Non-Spill/dp/B0BHDJG1KZ> (site visited: Dec. 6, 2022) (Year: 2022).*

Jell-Cell [online] URL: https://www.amazon.com/Jell-Cell-Water-Caps-Gallon-Silicone/dp/B09ZP6YGXG/ref=cm_cr_ar_p_d_product_top?ie=UTF8 (site visited: Dec. 6, 2022) (Year: 2022).*

* cited by examiner

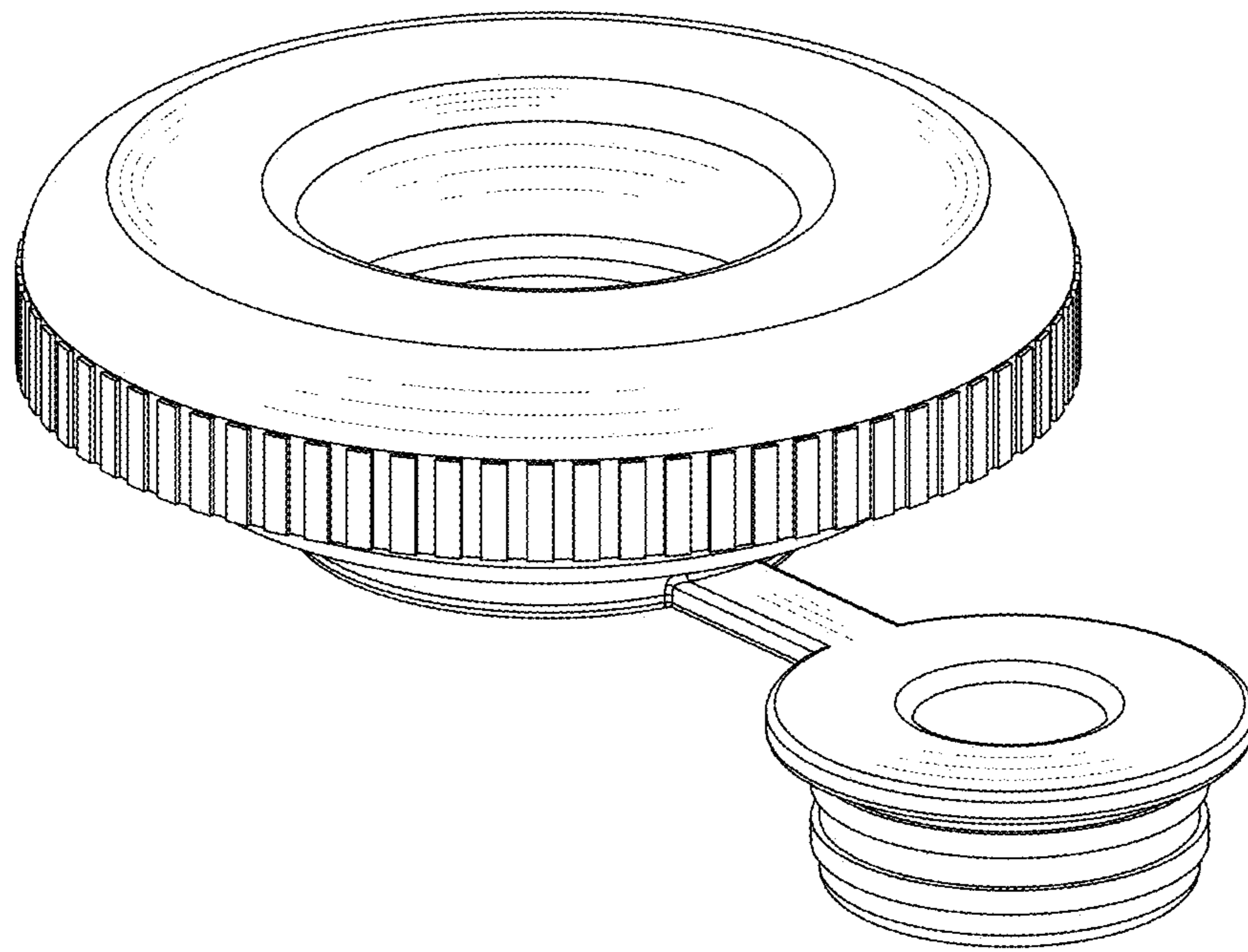


FIG. 1

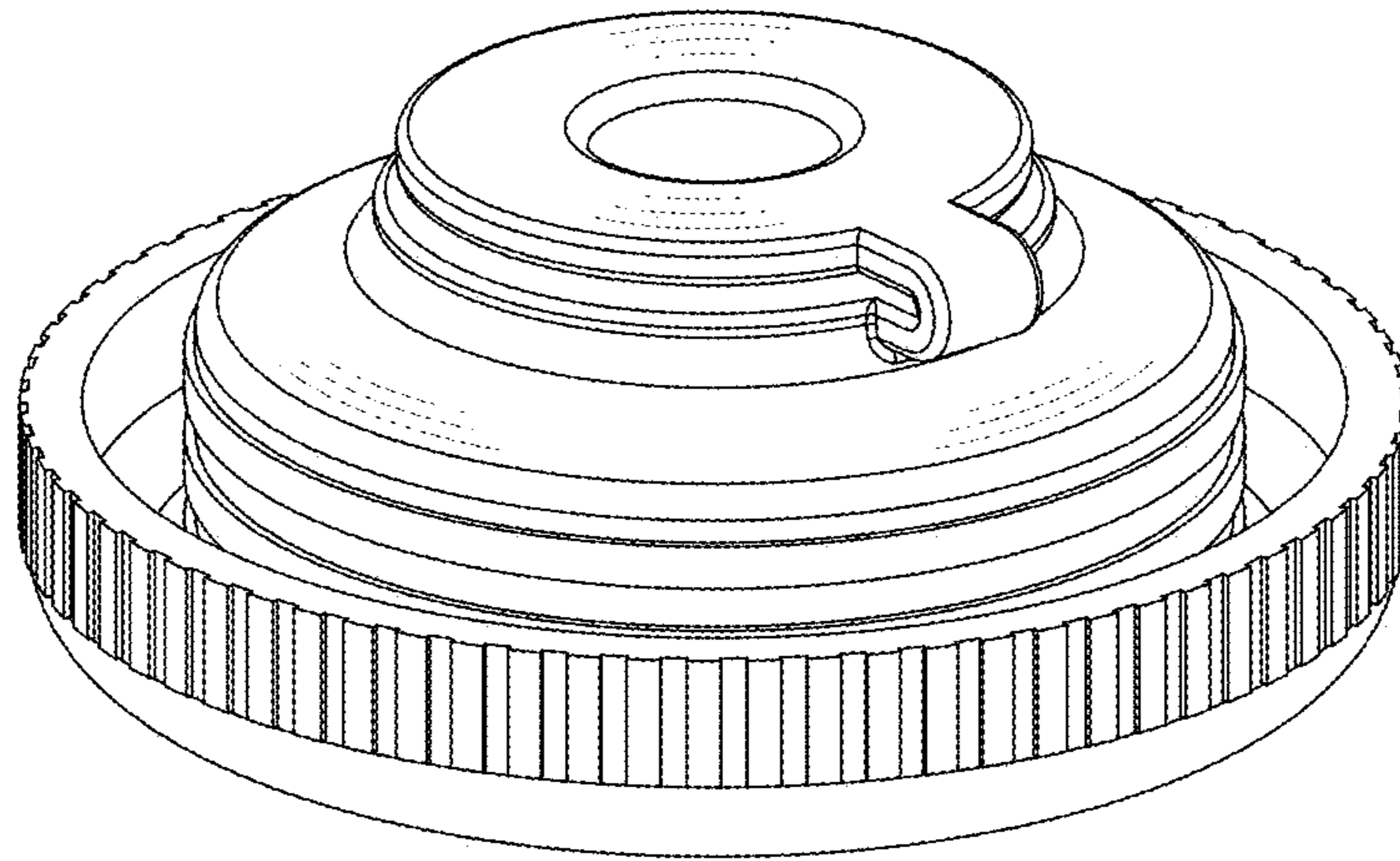


FIG. 2

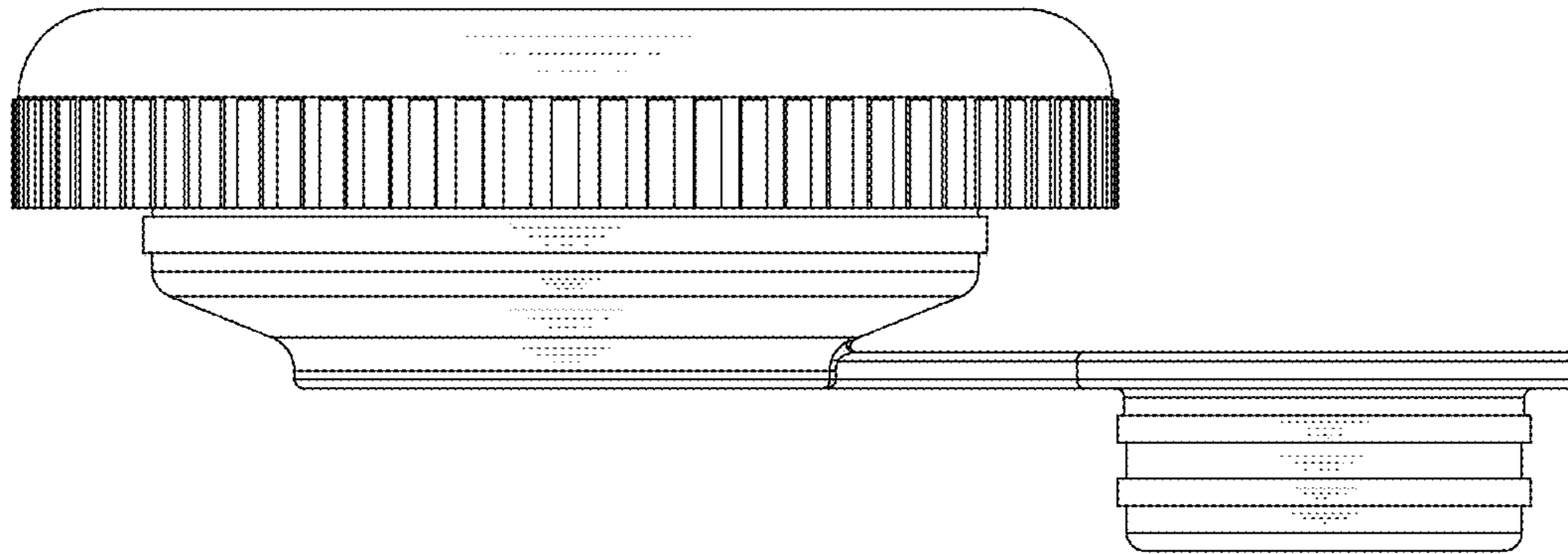


FIG. 3

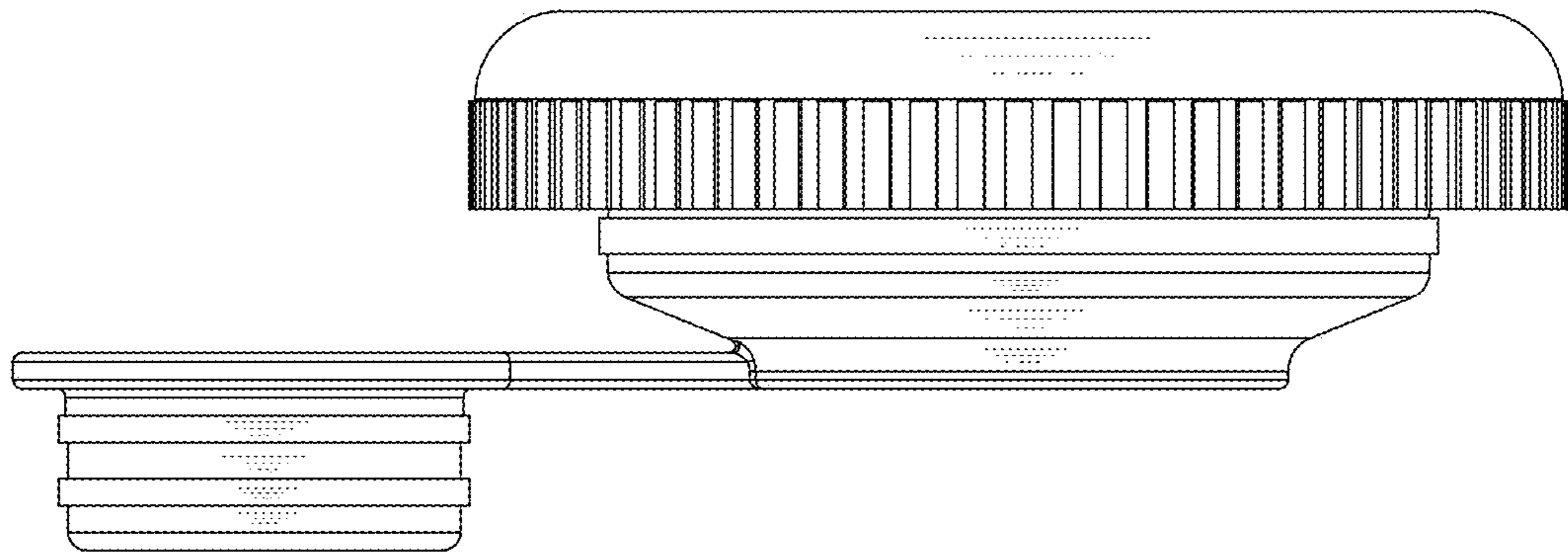


FIG. 4

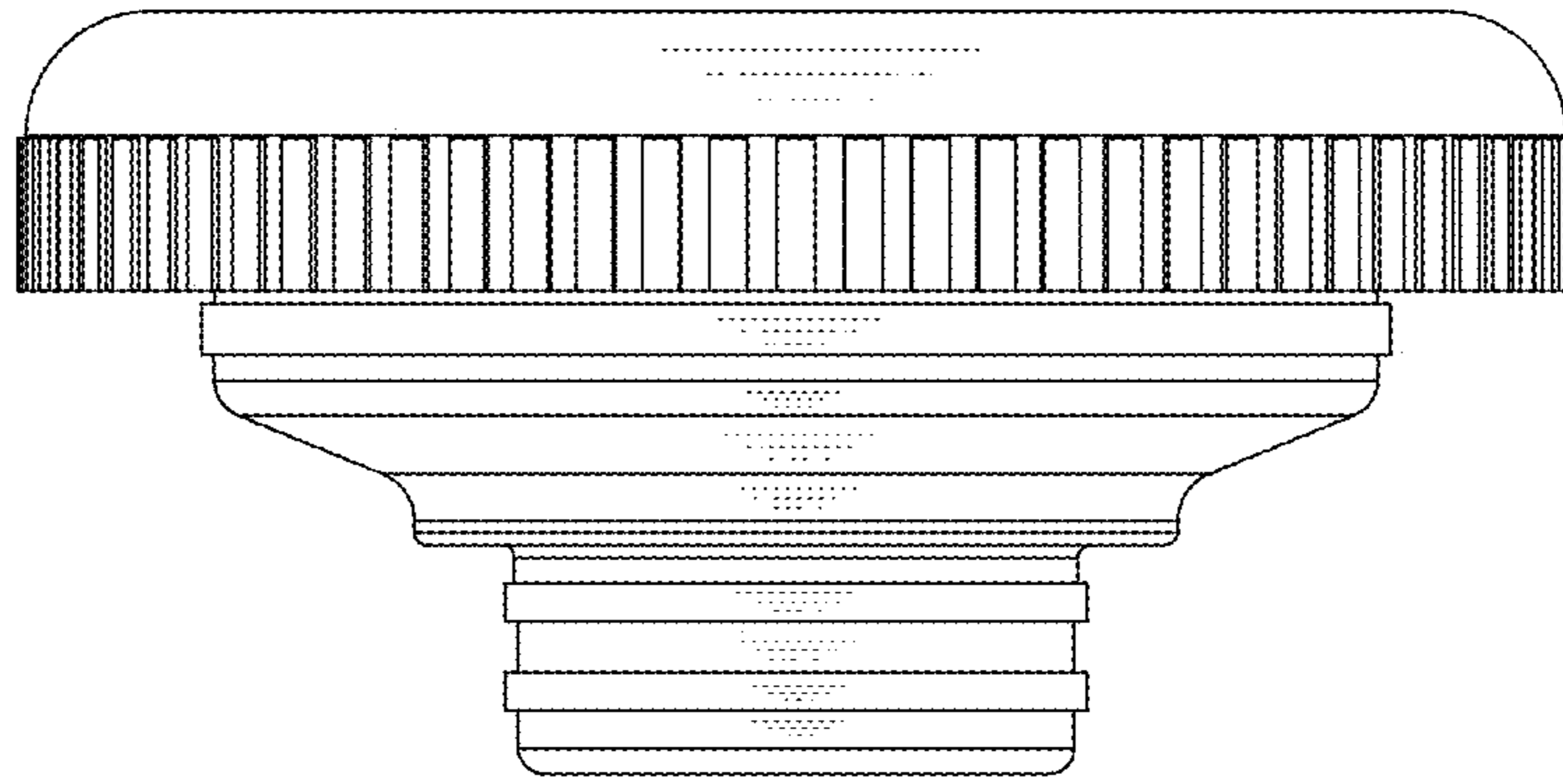


FIG. 5

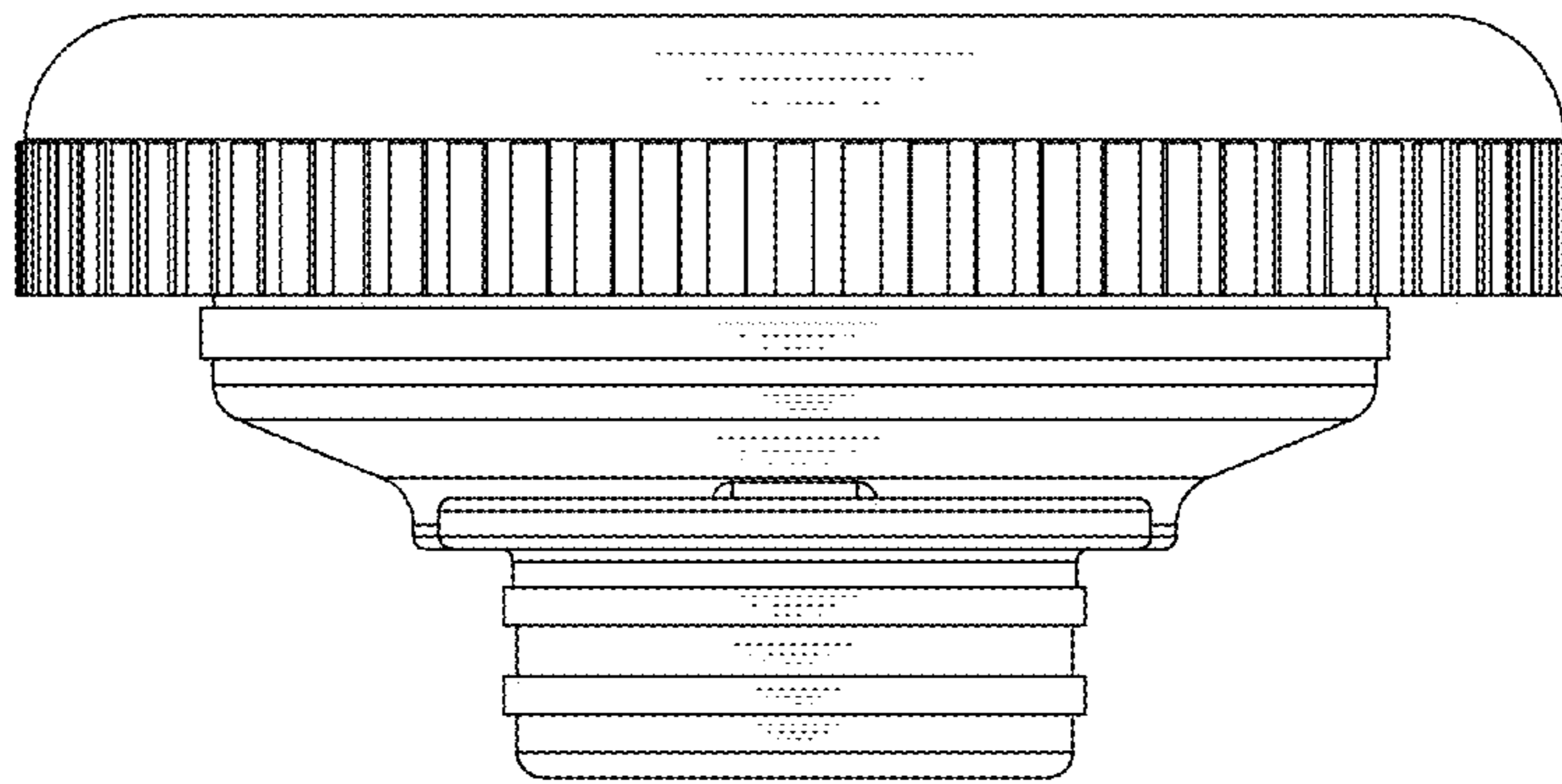


FIG. 6

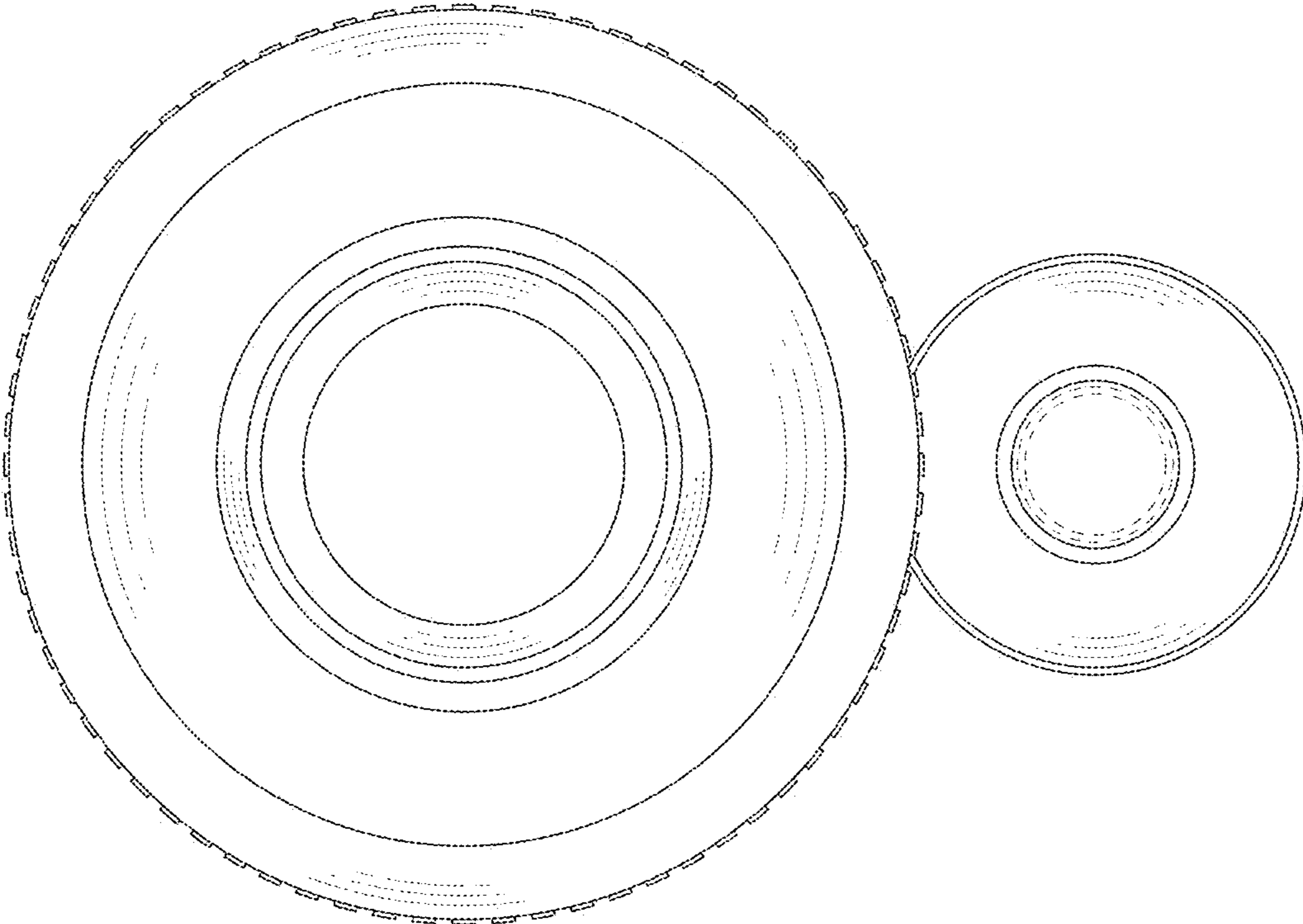


FIG. 7

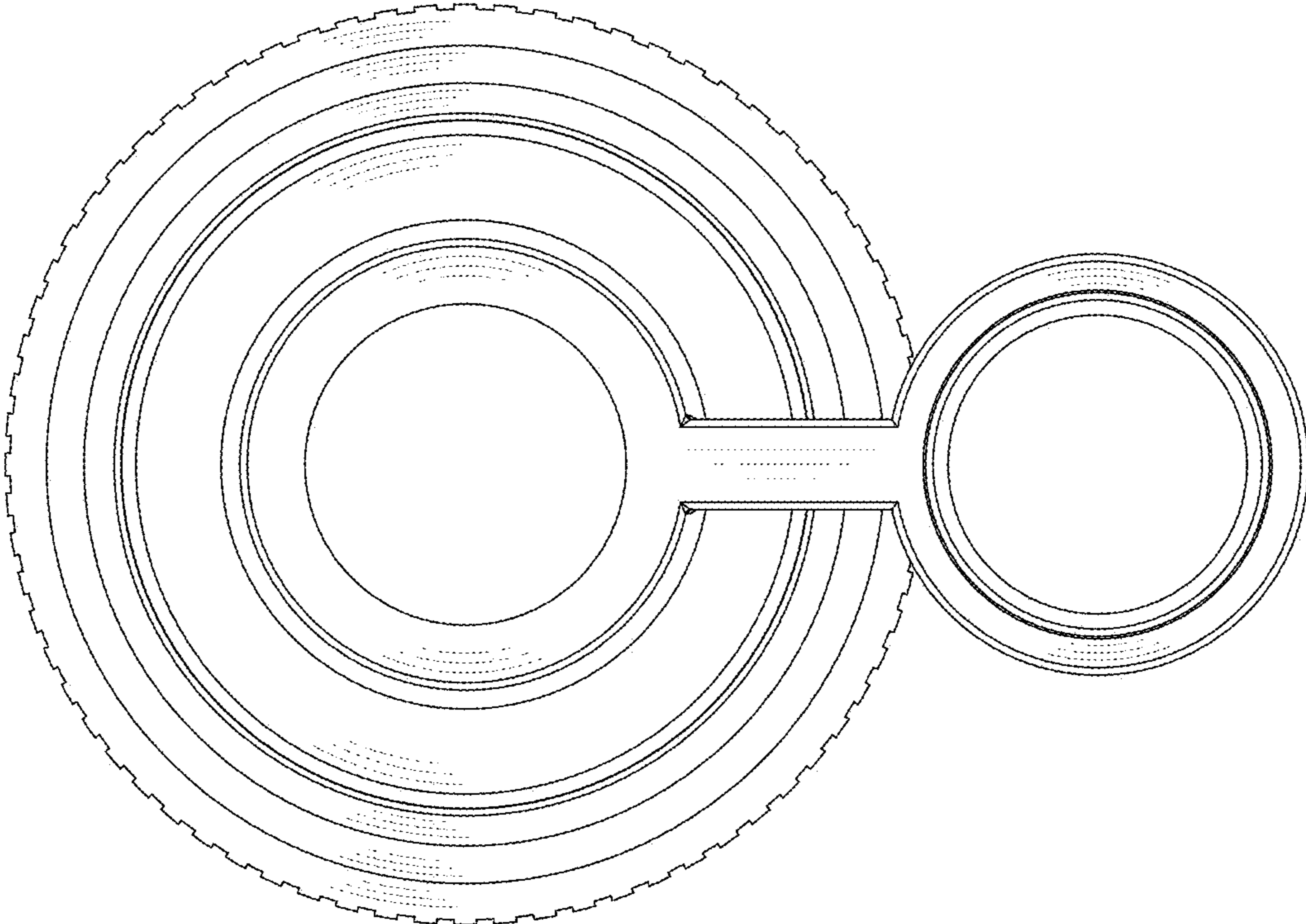


FIG. 8