



US00D988069S

(12) **United States Design Patent**
Ames

(10) **Patent No.:** **US D988,069 S**
(45) **Date of Patent:** **** Jun. 6, 2023**

(54) **BOTTLE LID**

(71) Applicant: **Real Value LLC**, Moore, OK (US)

(72) Inventor: **Micah Ames**, Conifer, CO (US)

(73) Assignee: **Real Value LLC**, Moore, OK (US)

(**) Term: **15 Years**

(21) Appl. No.: **29/835,956**

(22) Filed: **Apr. 22, 2022**

Related U.S. Application Data

(63) Continuation of application No. 29/755,576, filed on Oct. 21, 2020, now Pat. No. Des. 953,105, which is a continuation of application No. 29/684,930, filed on Mar. 25, 2019, now Pat. No. Des. 903,403.

(51) **LOC (14) Cl.** **07-02**

(52) **U.S. Cl.**
USPC **D7/392.1; D7/510**

(58) **Field of Classification Search**
USPC D7/387, 391, 392, 392.1, 394, 396.2, D7/509-511, 538, 900; D3/201, 202; D9/434, 435, 436, 439, 440, 442, 443, D9/446-450, 499, 686
CPC .. A61J 1/00; A61J 1/1412; B65D 1/00; B65D 1/02; B65D 1/10; B65D 1/46; B65D 2585/56; B65D 2585/545; B65D 41/00; B65D 41/38; B65D 41/56; B65D 41/62; B65D 47/00; B65D 47/06; B65D 47/08; B65D 2543/00046; B65D 2543/00092; B65D 2543/00296; B65D 5/46; B65D 2251/00

See application file for complete search history.

(56) **References Cited**

U.S. PATENT DOCUMENTS

D870,508 S * 12/2019 Palkon D7/392.1
D903,403 S * 12/2020 Ames D7/392.1

D935,265 S * 11/2021 Chen D7/392.1
D938,223 S * 12/2021 Chen D7/392.1
D939,887 S * 1/2022 Hao D7/392.1

(Continued)

Primary Examiner — S. Bryan Reinholdt, Jr.

(74) *Attorney, Agent, or Firm* — Hall Estill Law Firm; Michael H. Smith

(57) **CLAIM**

The ornamental design for a bottle lid, as shown and described.

DESCRIPTION

FIG. 1 is a perspective view of one embodiment of a bottle lid, showing a drinking portion of the bottle lid in a closed position.

FIG. 2 is a front side elevation view of FIG. 1.

FIG. 3 is a rear side elevation view of FIG. 1.

FIG. 4 is a right side elevation view of FIG. 1.

FIG. 5 is a left side elevation view of FIG. 1.

FIG. 6 is a top view of FIG. 1.

FIG. 7 is a bottom view of FIG. 1.

FIG. 8 is a perspective view of the bottle lid of FIG. 1, in a condition of use with a bottle.

FIG. 9 is a perspective view of the bottle lid of FIG. 1, showing the drinking portion of the bottle lid in an open position.

FIG. 10 is a front side elevation view of FIG. 9.

FIG. 11 is a rear side elevation view of FIG. 9.

FIG. 12 is a right side elevation view of FIG. 9.

FIG. 13 is a left side elevation view of FIG. 9.

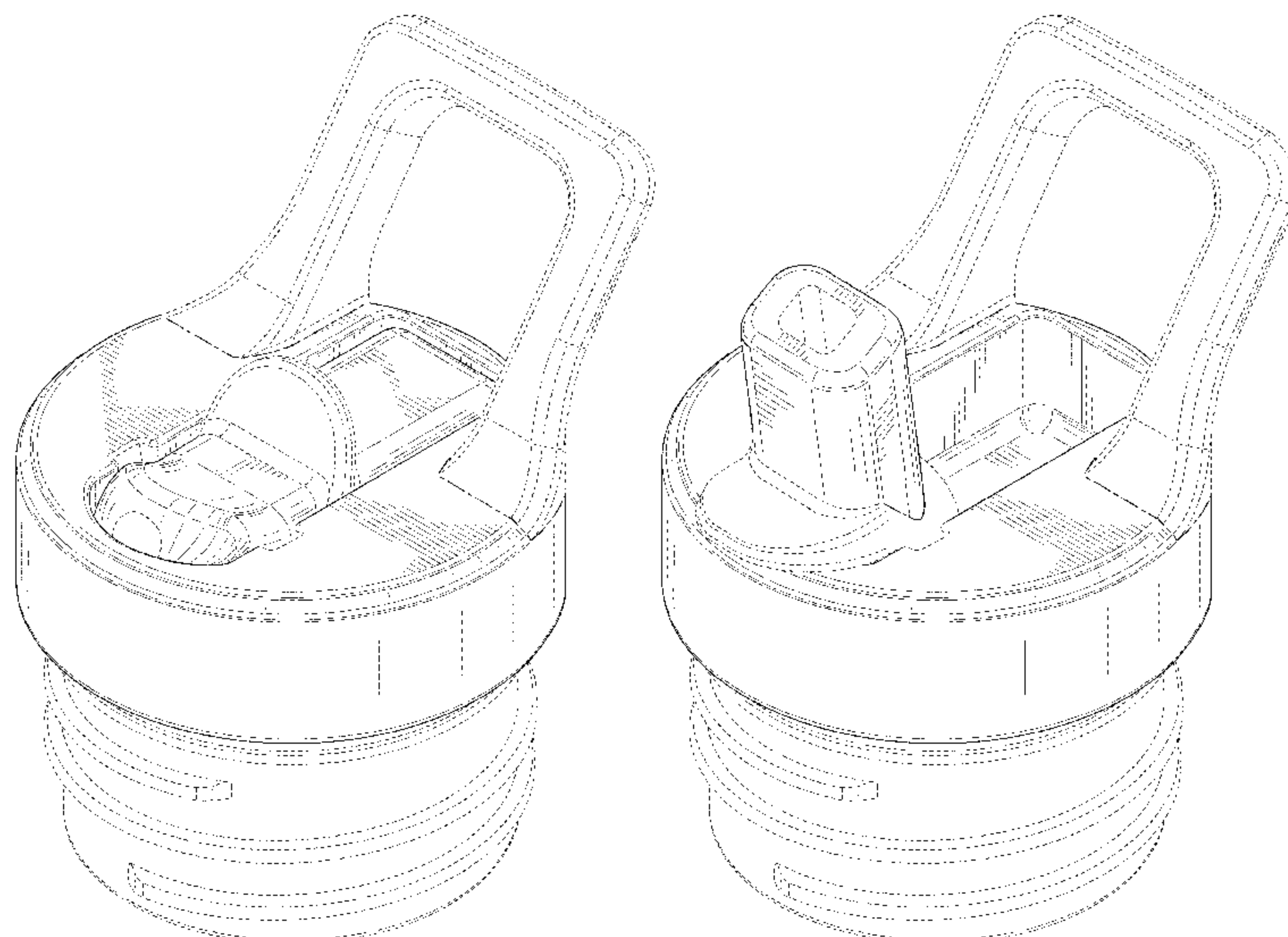
FIG. 14 is a top view of FIG. 9.

FIG. 15 is a bottom view of FIG. 9; and,

FIG. 16 is a perspective view of the bottle lid of FIG. 9, in a condition of use with a bottle.

The evenly spaced broken lines depict environment than forms no part of the claimed design. The dot-dash-dot broken lines depict the boundaries of the claim and form no part thereof.

1 Claim, 16 Drawing Sheets



(56)

References Cited

U.S. PATENT DOCUMENTS

D953,105 S * 5/2022 Ames D7/392
D955,162 S * 6/2022 Ames D7/392.1
D955,163 S * 6/2022 Wu D7/392.1
D955,174 S * 6/2022 Smith D7/511

* cited by examiner

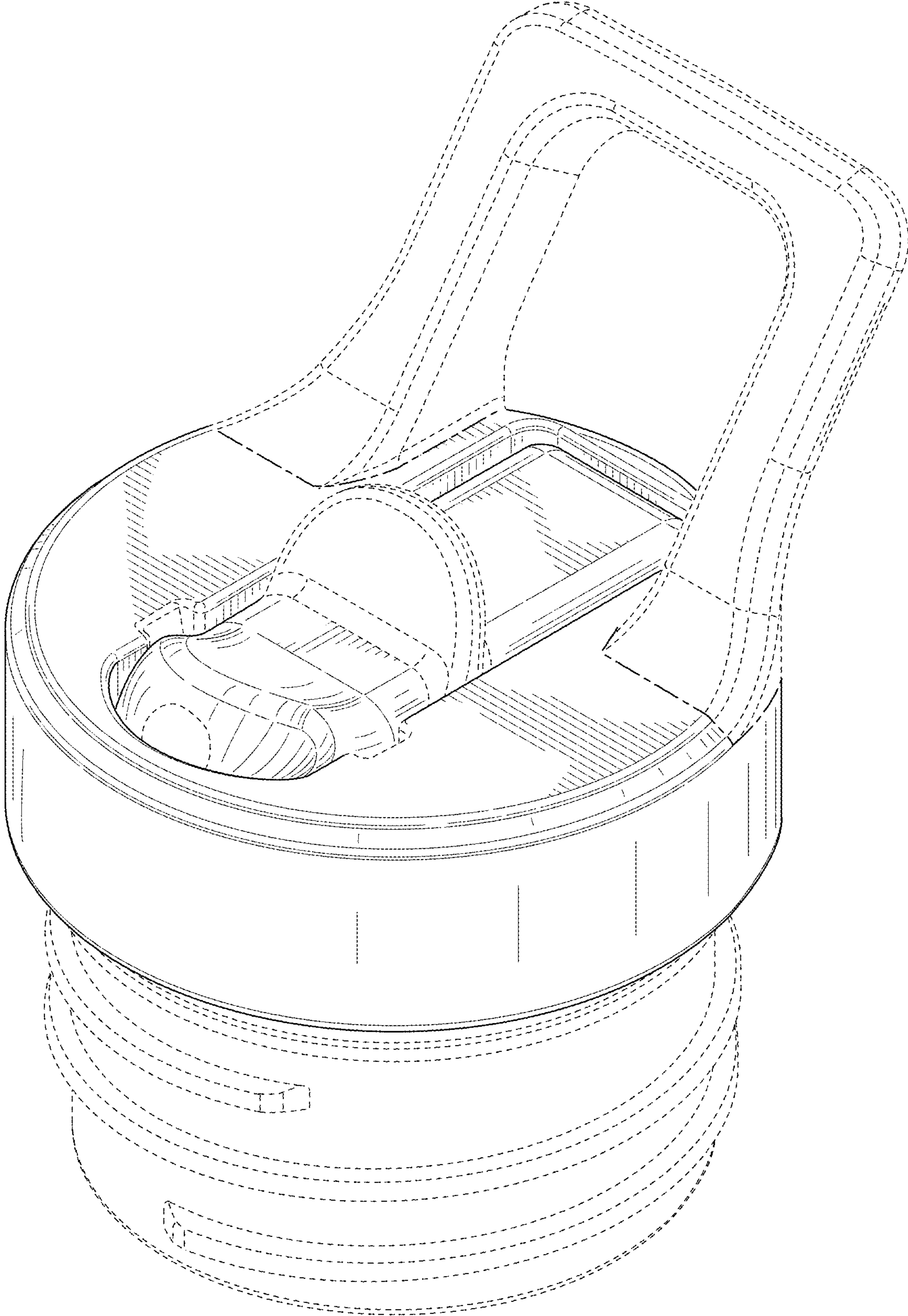


FIG. 1

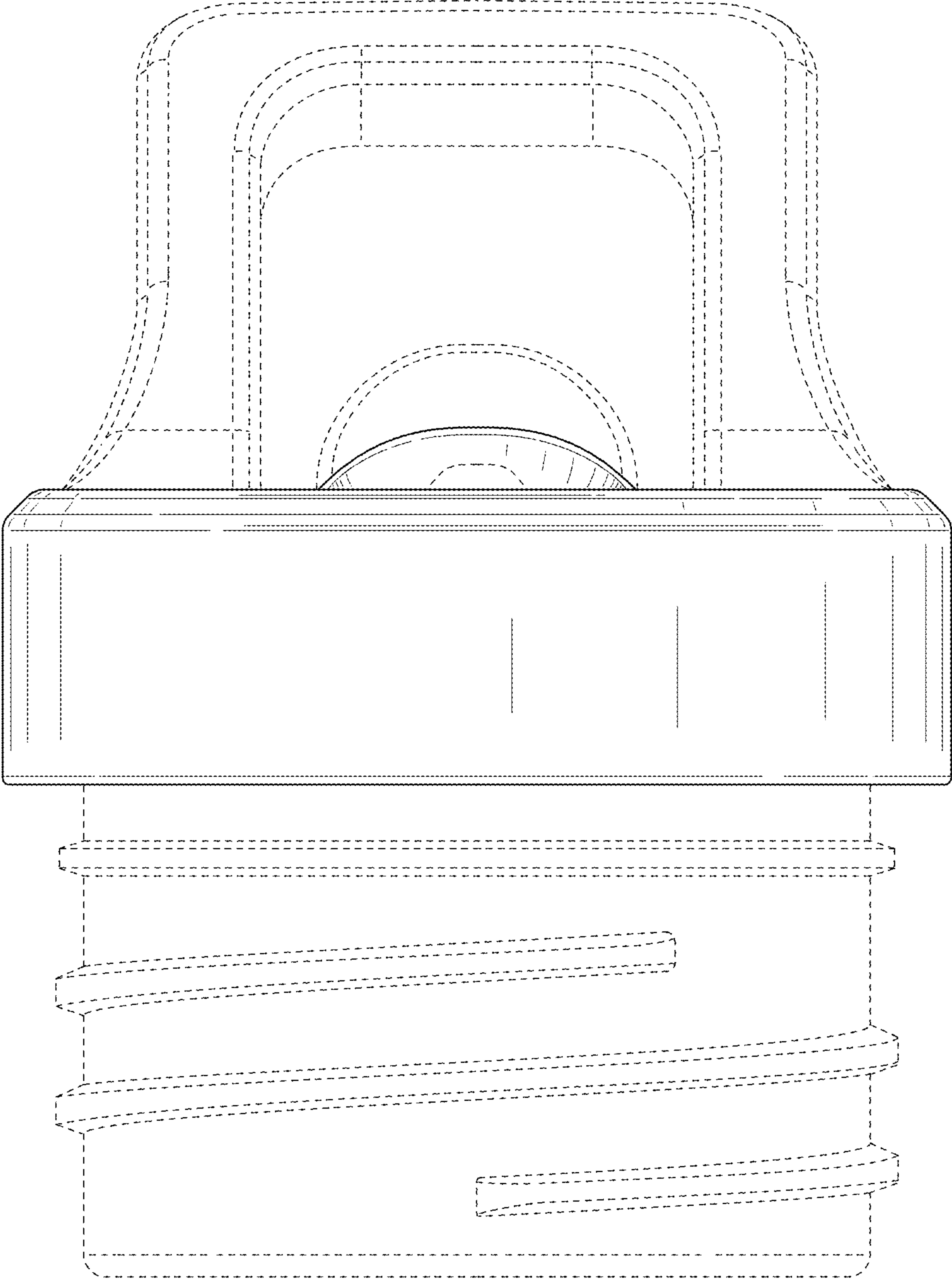


FIG. 2

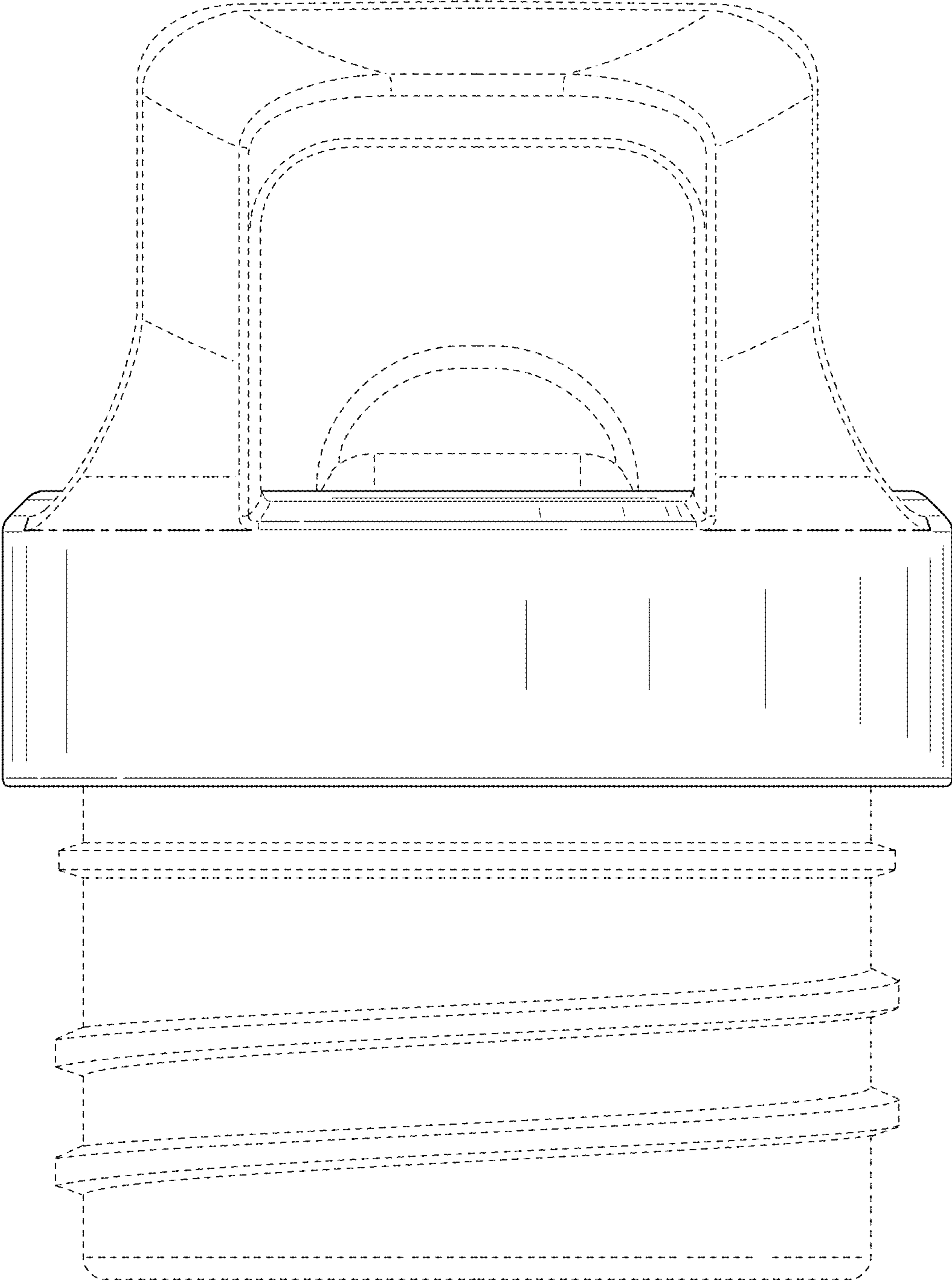


FIG. 3

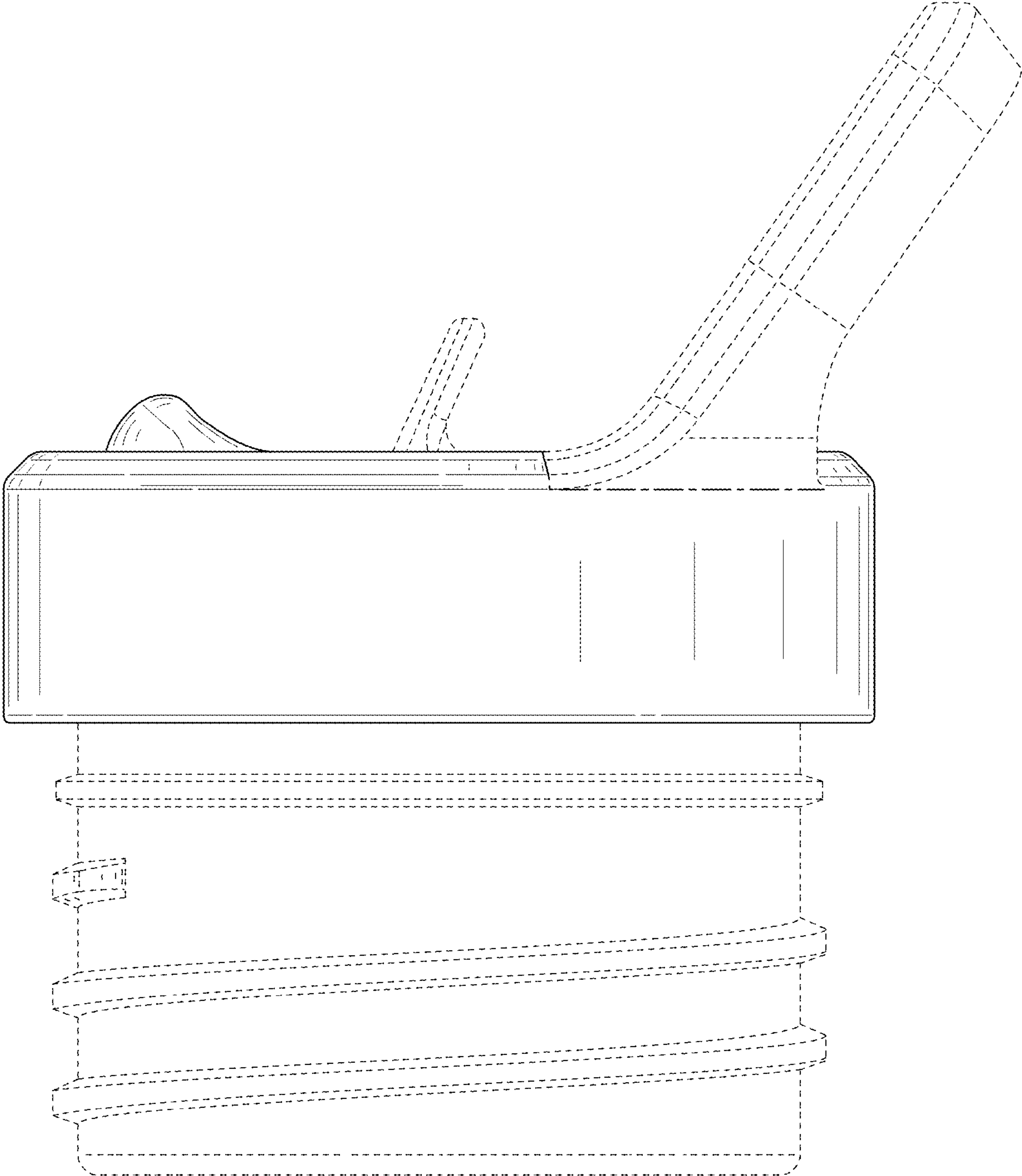


FIG. 4

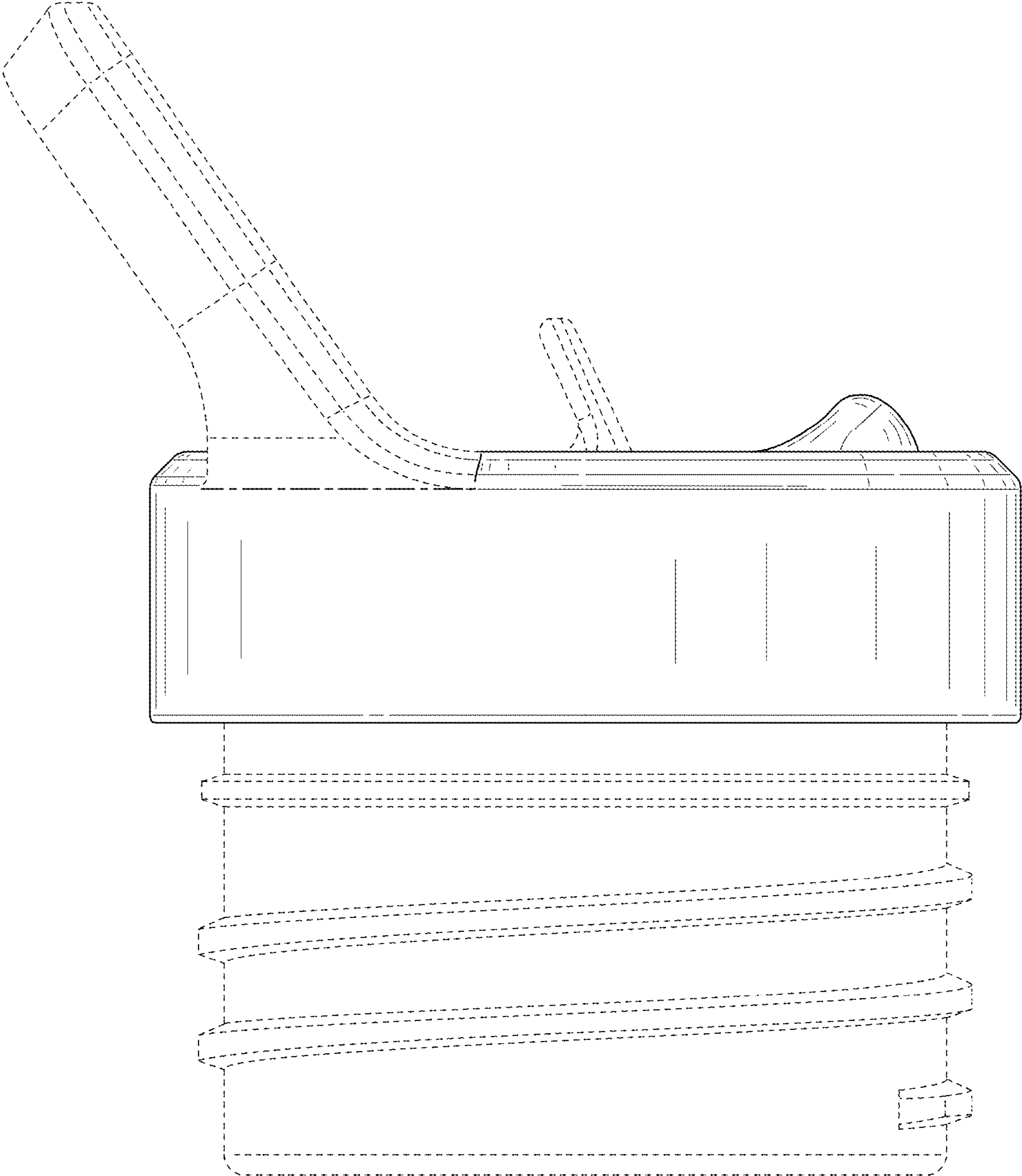


FIG. 5

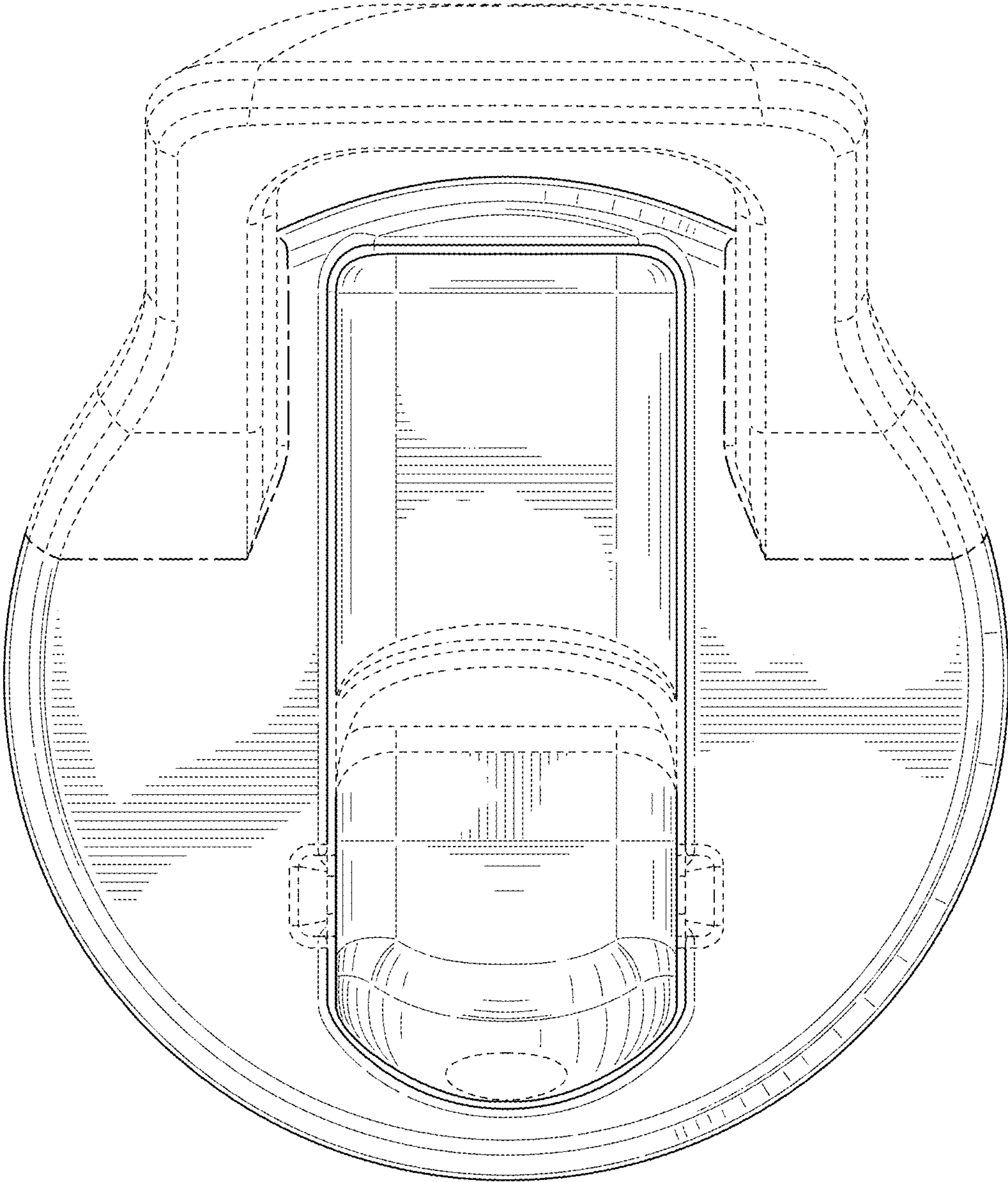


FIG. 6

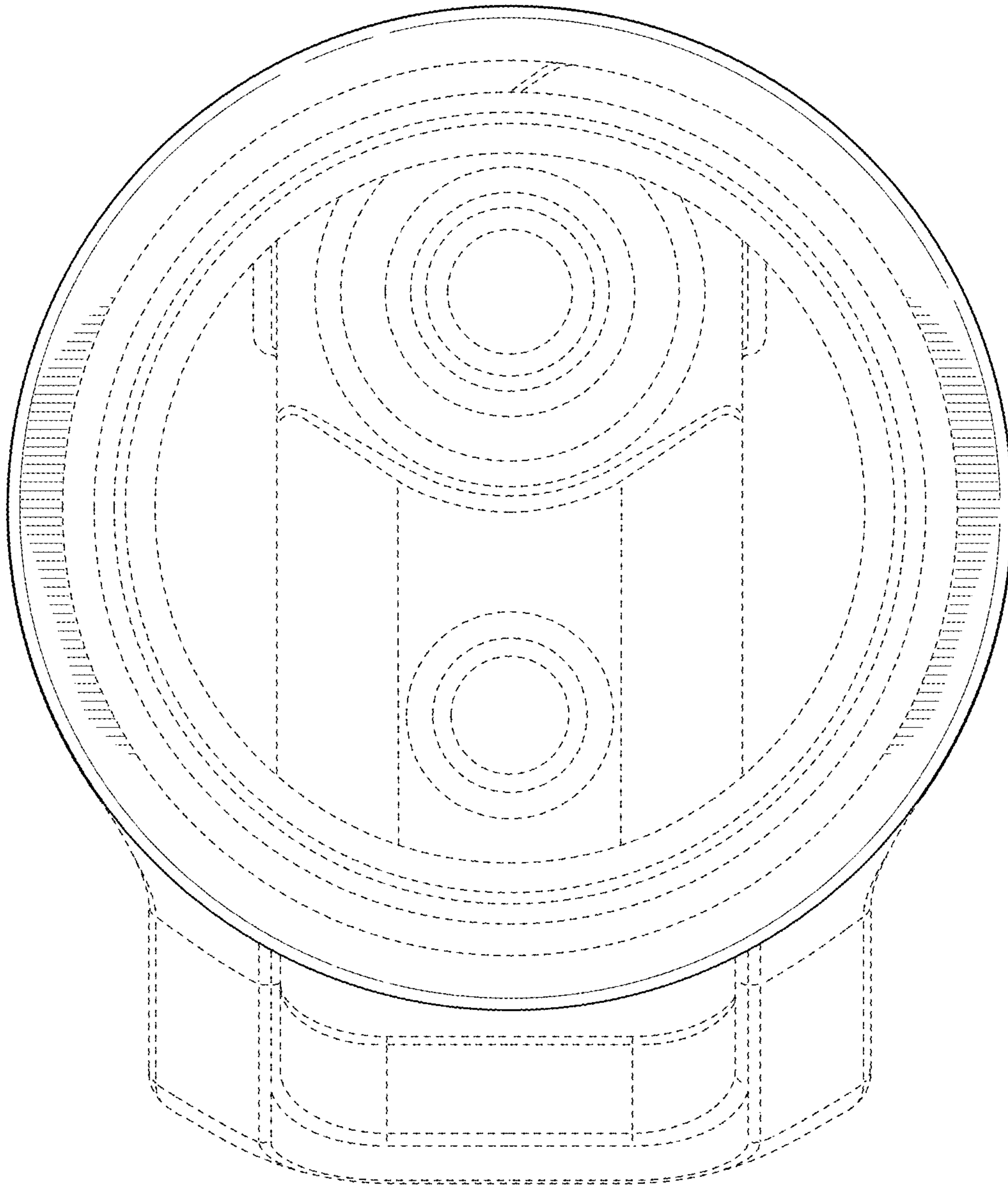


FIG. 7

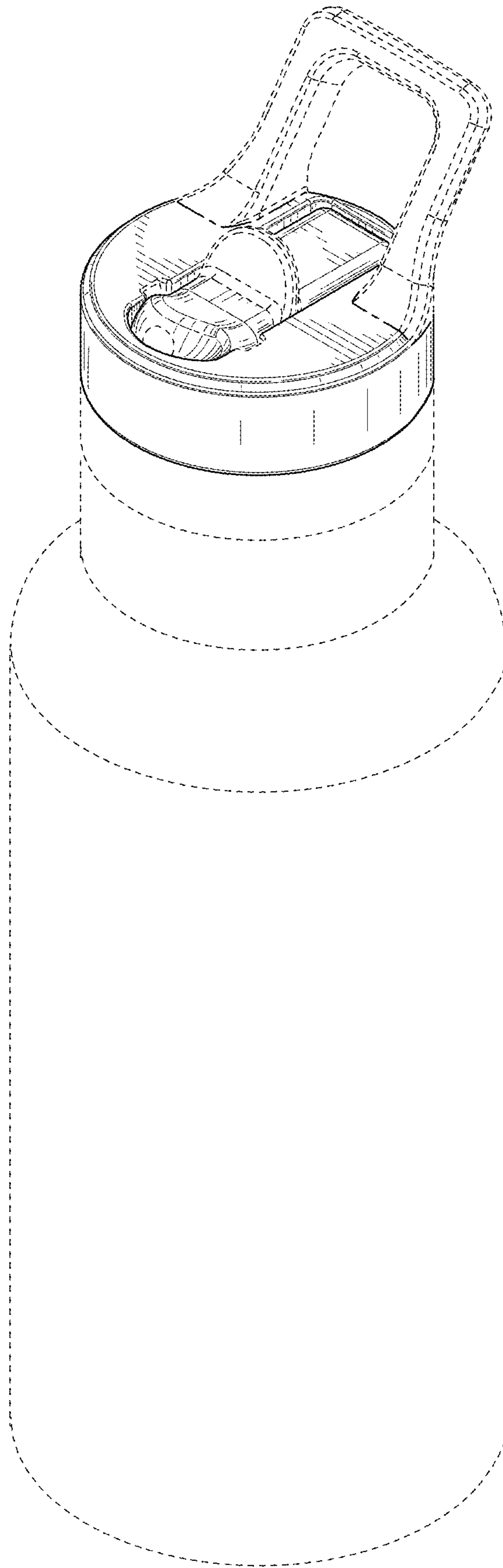


FIG. 8

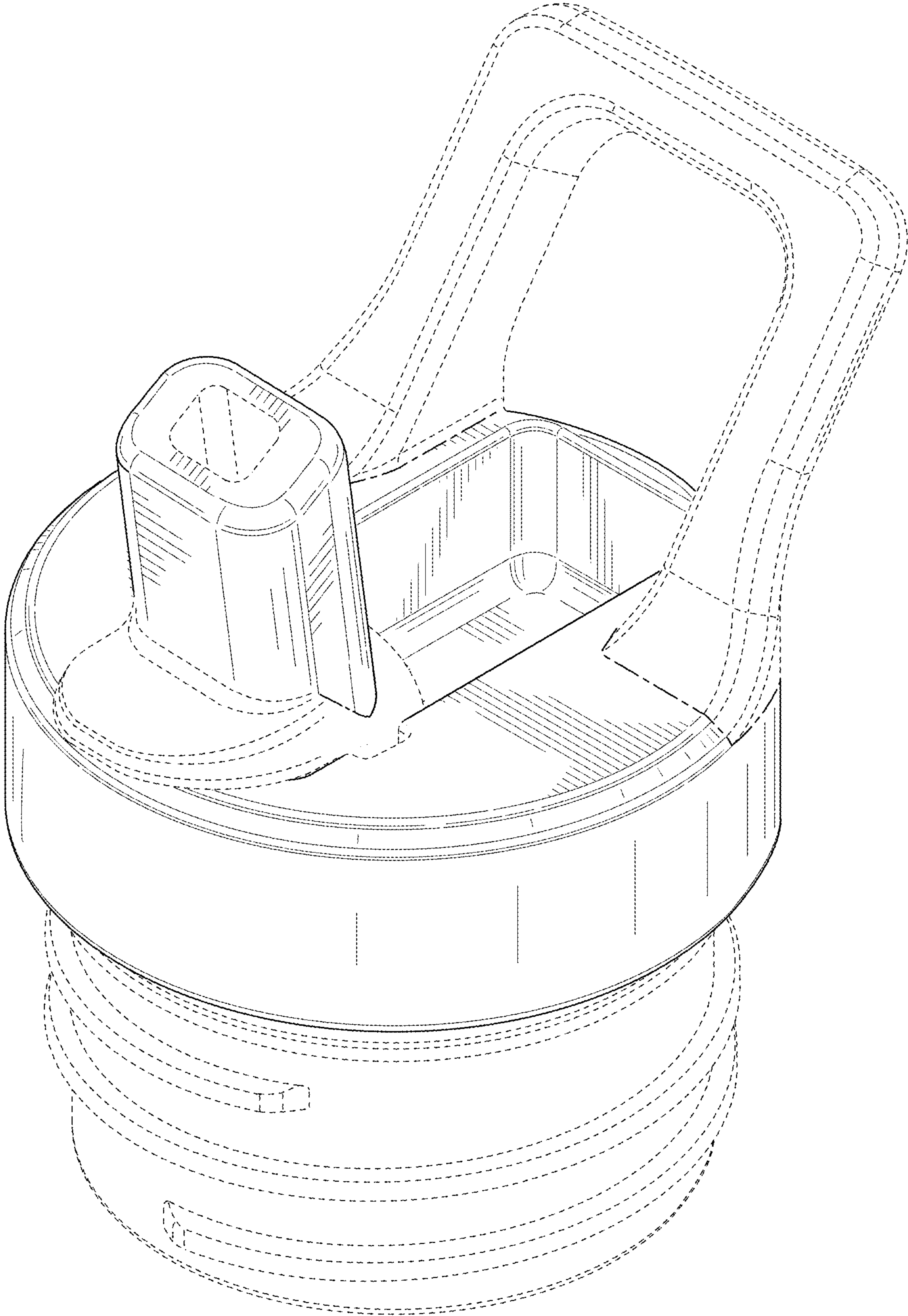


FIG. 9

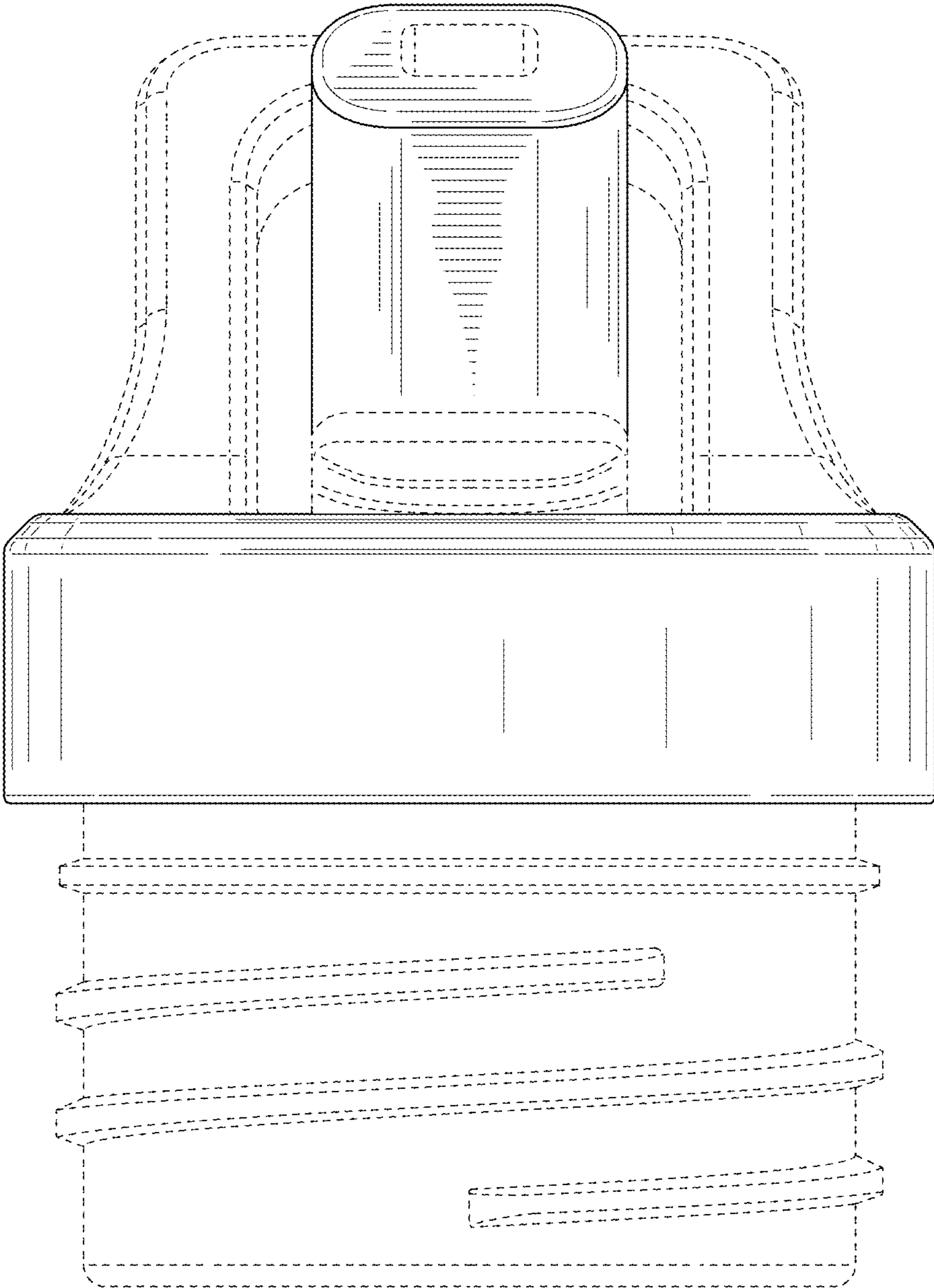


FIG. 10

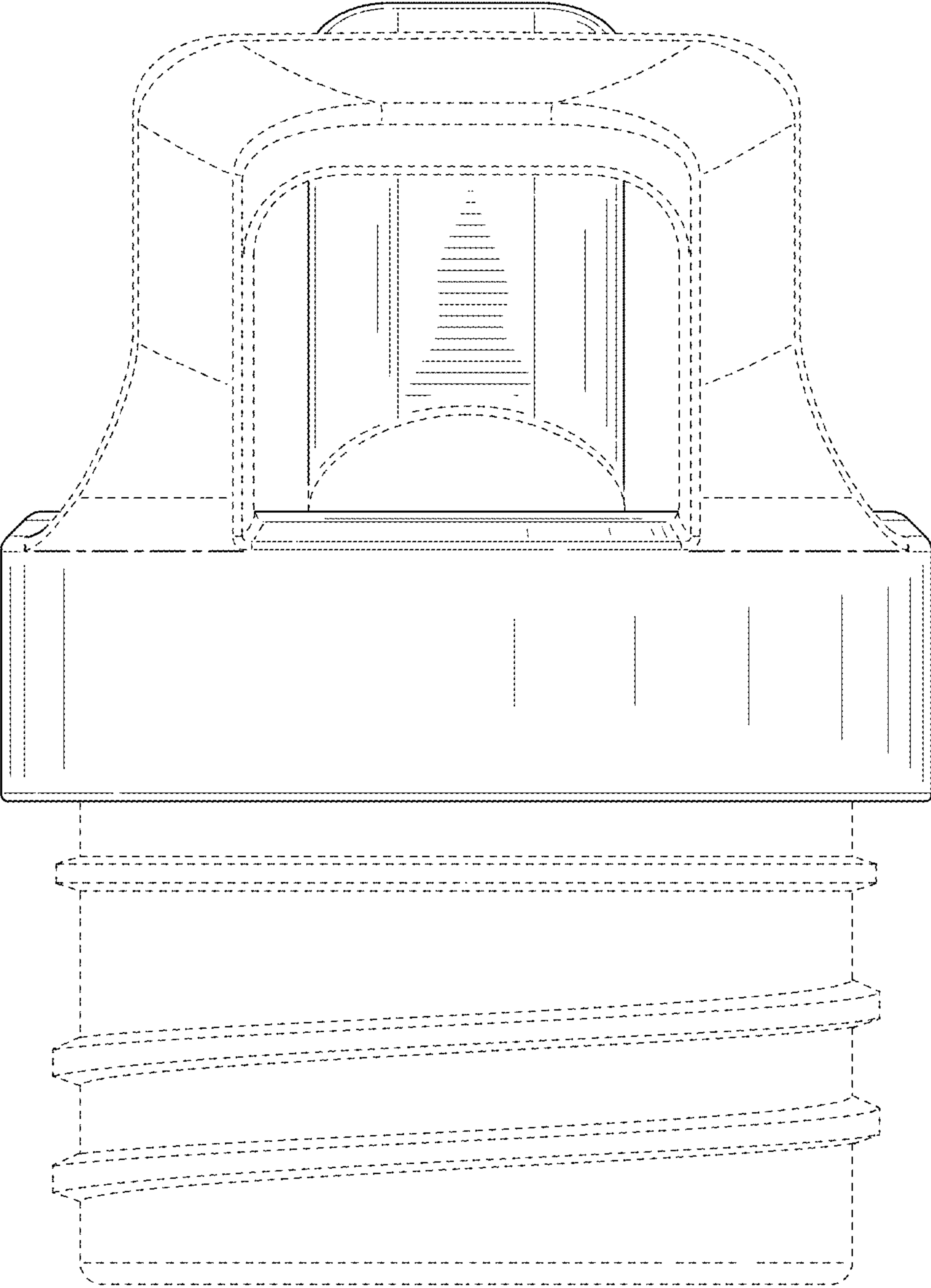


FIG. 11

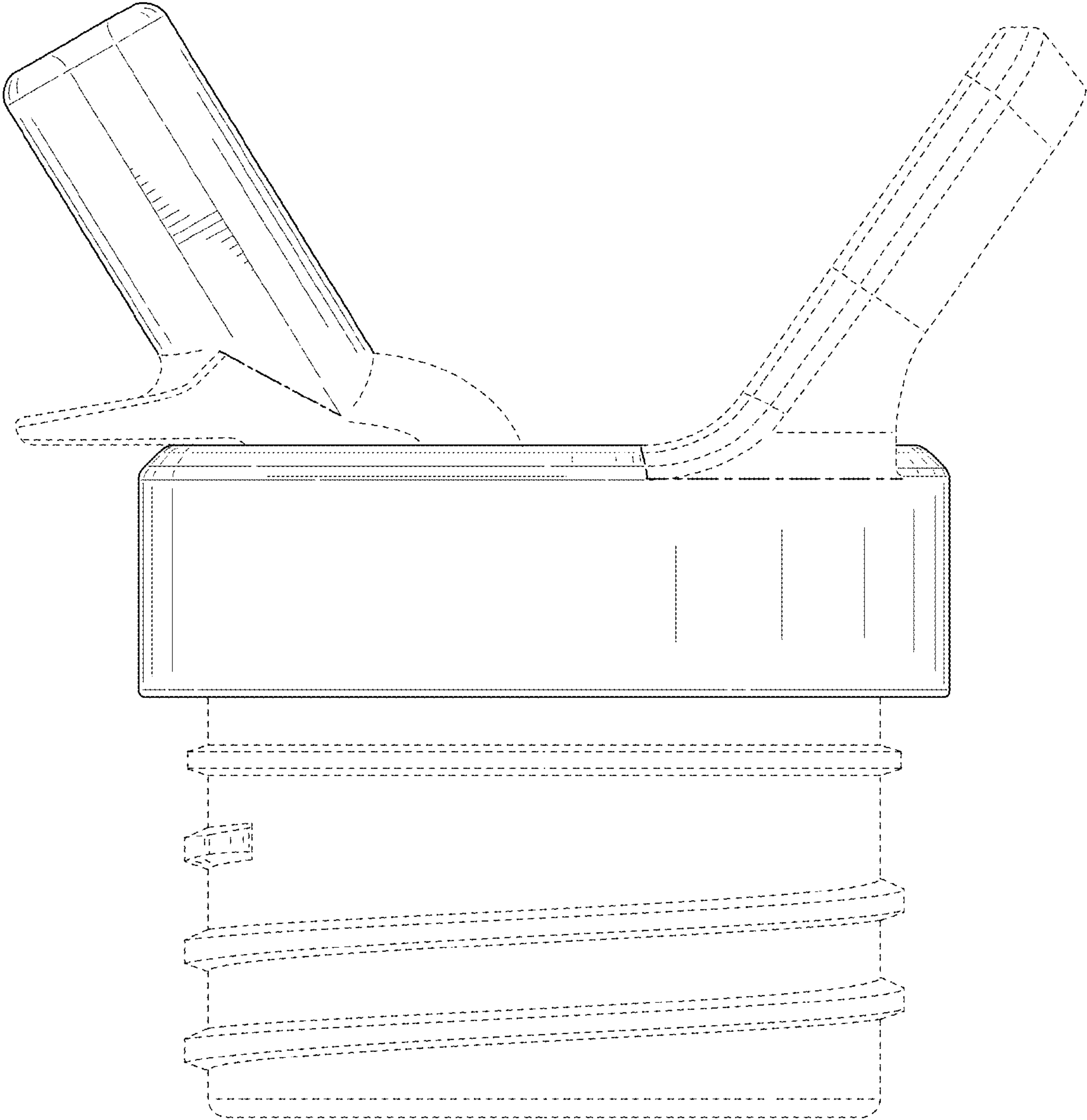


FIG. 12

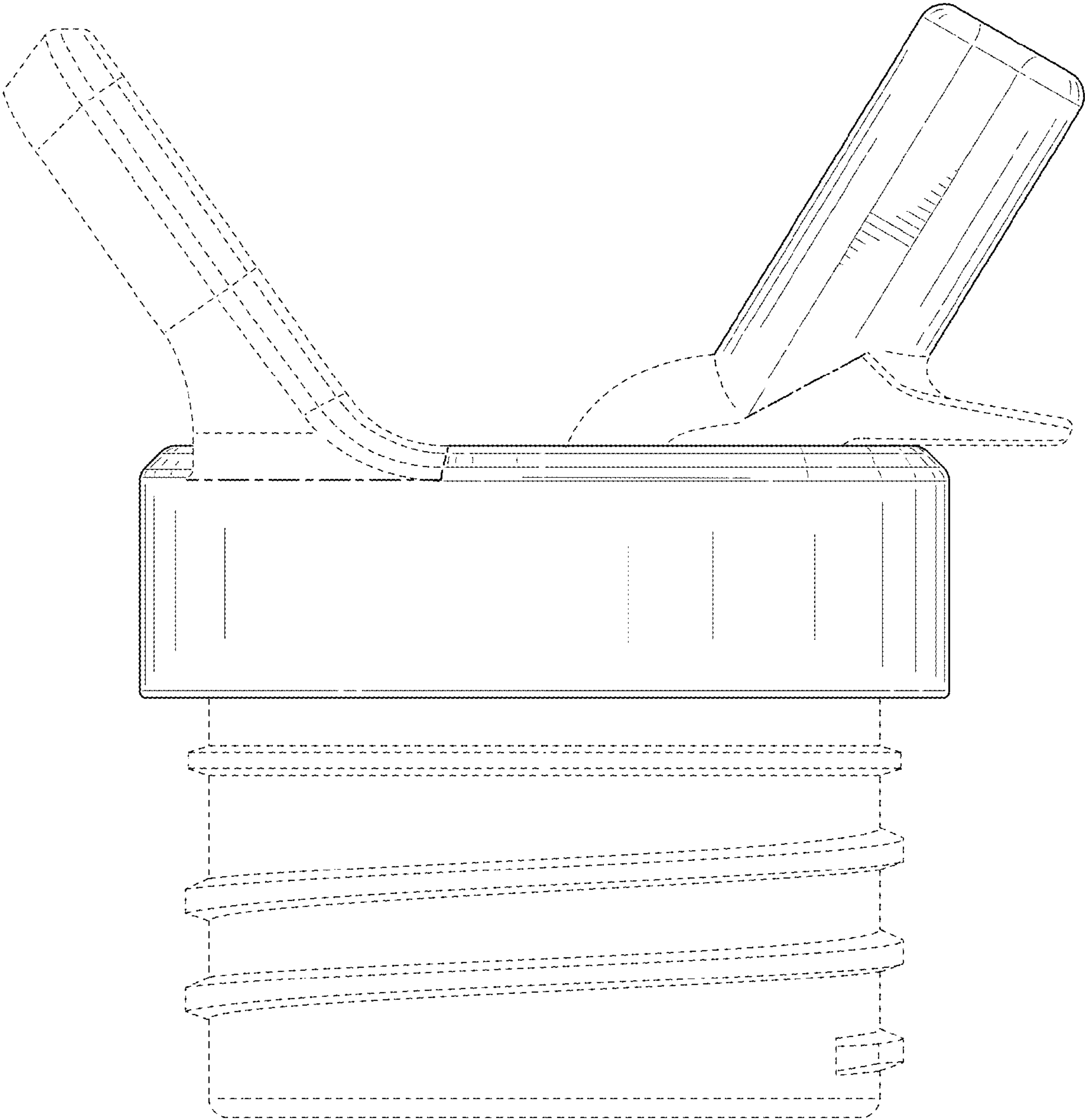


FIG. 13

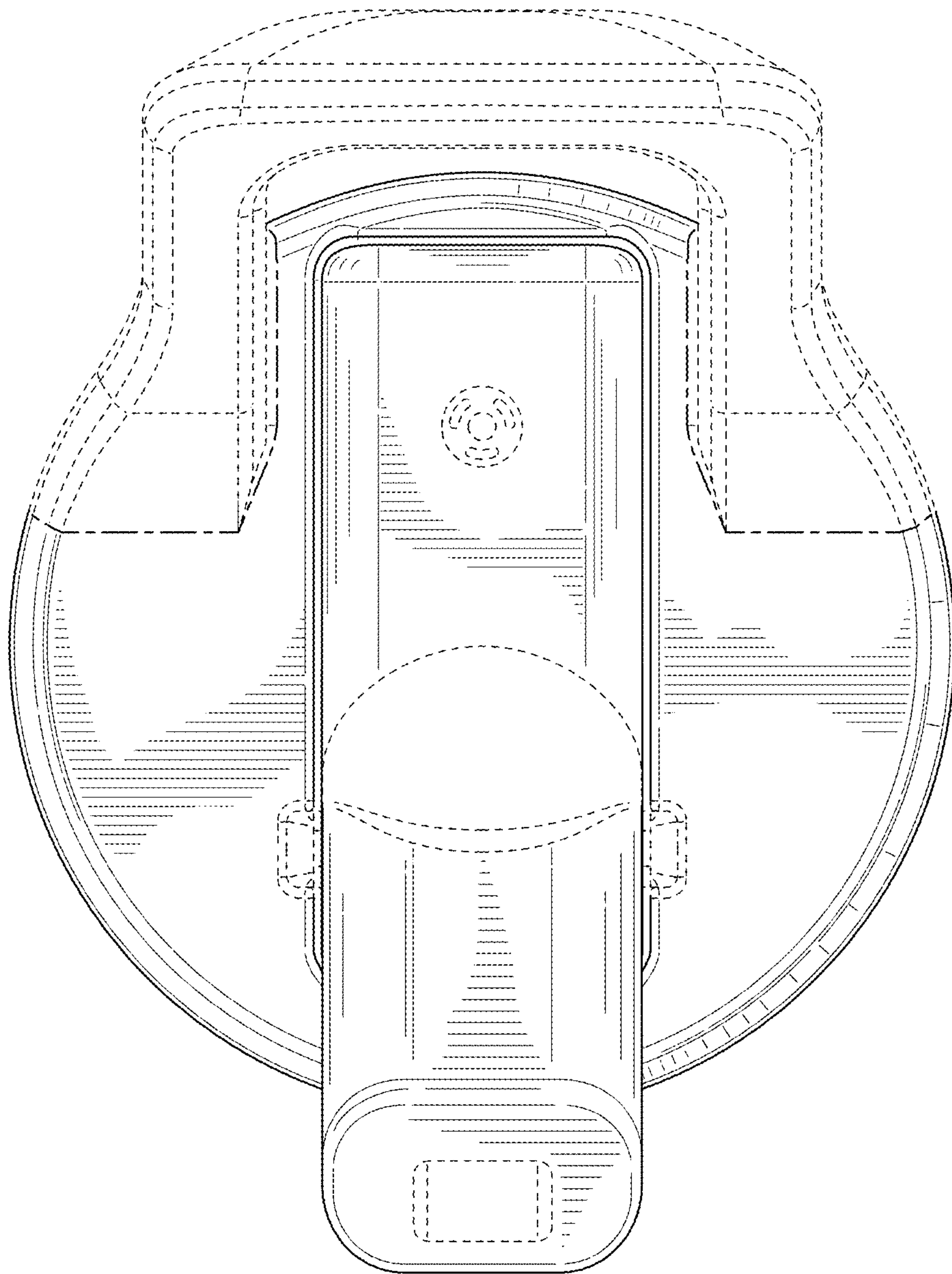


FIG. 14

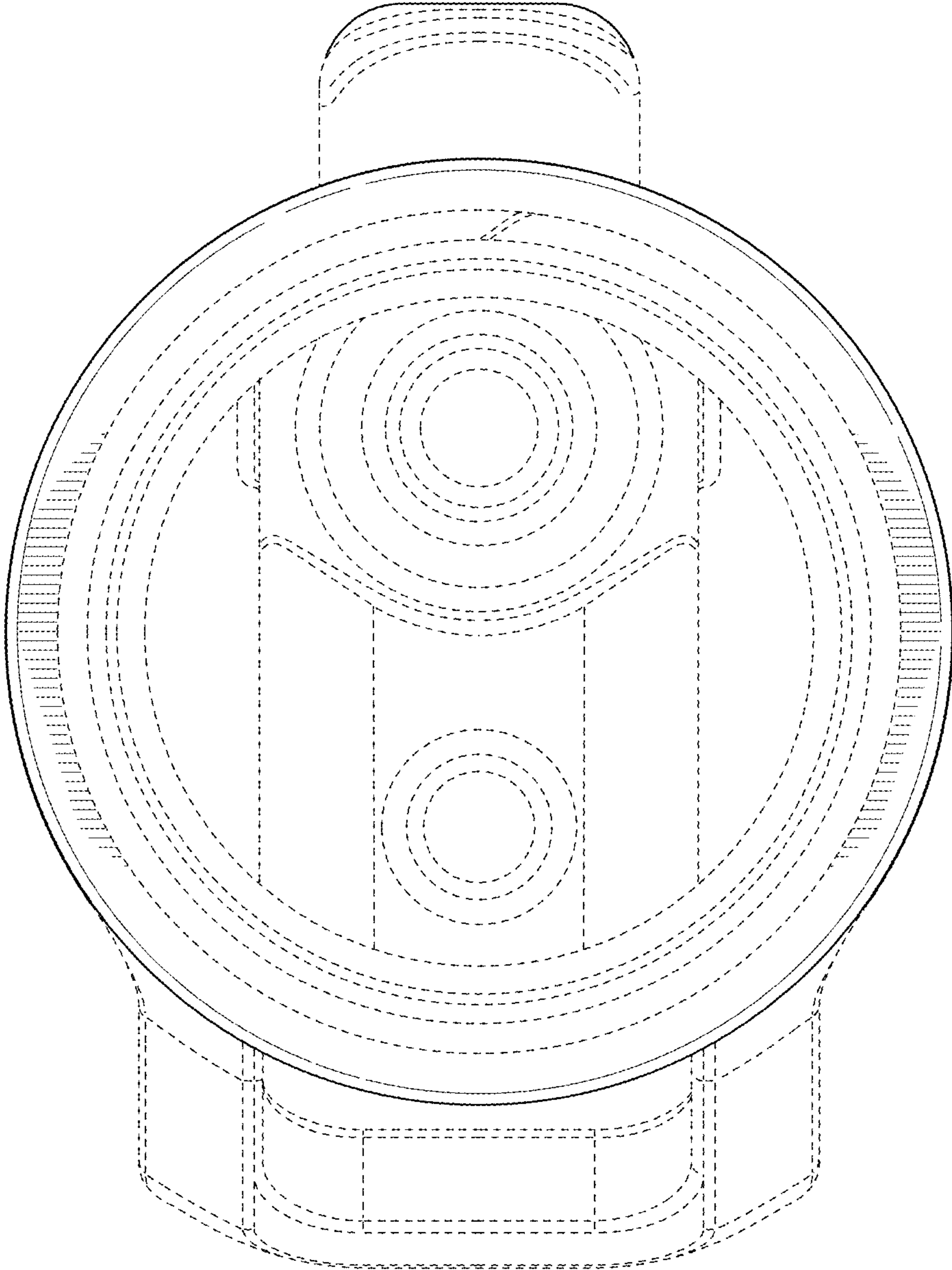


FIG. 15

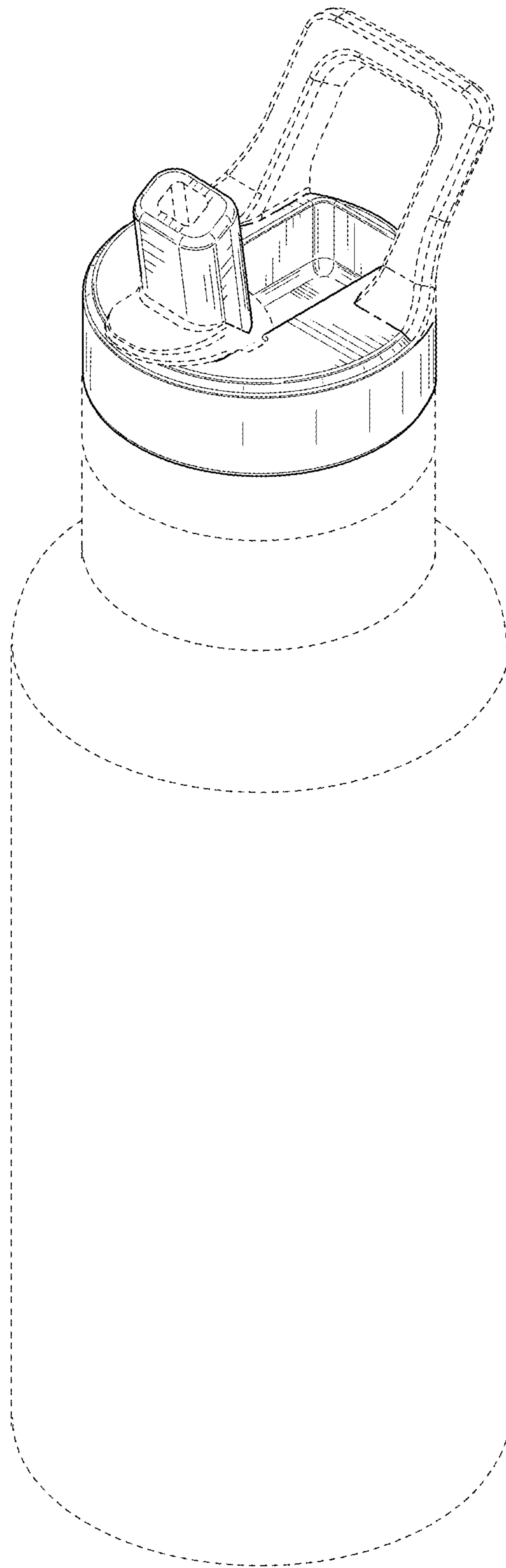


FIG. 16