



US00D988068S

(12) **United States Design Patent**
Mo

(10) **Patent No.:** **US D988,068 S**
(45) **Date of Patent:** **** Jun. 6, 2023**

(54) **HOLDER**

(71) Applicant: **Hangzhou Yuelin Technology Co., Ltd.**, Hangzhou (CN)

(72) Inventor: **Xiaoqing Mo**, Jiaxing (CN)

(73) Assignee: **HANGZHOU YUELIN TECHNOLOGY CO., LTD.**, Hangzhou (CN)

(**) Term: **15 Years**

(21) Appl. No.: **29/835,369**

(22) Filed: **Apr. 19, 2022**

(51) **LOC (14) Cl.** **07-06**

(52) **U.S. Cl.**
USPC **D7/387**

(58) **Field of Classification Search**
USPC D3/10, 12, 326, 328; D6/512, 513, 522, D6/524, 531, 534, 535, 537, 540, 546, D6/550, 552; D8/300, 307, 333, 373; D7/387, 388, 393, 396, 396.1, 398, 401.1, D7/403, 409, 600.1, 601; D9/434, 435, D9/436, 443, 455, 715, 716
CPC E05B 73/00; B65D 43/09; B65D 43/16; B65D 43/0212; B65D 43/0208; B65D 25/04; B65D 1/24; B65D 1/00; B65D 1/02; B65D 1/10; B65D 1/46; B65D 51/1694

See application file for complete search history.

(56) **References Cited**

U.S. PATENT DOCUMENTS

D31,125 S * 7/1899 Hampton D6/535
4,266,746 A * 5/1981 Klaiber B44D 3/123
248/113
4,319,758 A * 3/1982 Nicholson F16J 15/3204
277/550
D266,382 S * 10/1982 Hutchinson D6/556
D271,831 S * 12/1983 McGain D8/373

D282,706 S * 2/1986 DiFede D7/408
4,611,478 A * 9/1986 Carlson G01R 11/04
70/164
D296,414 S * 6/1988 DeWalch D8/333
4,749,112 A * 6/1988 Harper A47G 23/0225
224/567
D306,507 S * 3/1990 Lund D32/54
D306,521 S * 3/1990 Kenney D3/229

(Continued)

OTHER PUBLICATIONS

Coffee Spoon Clip for Regular and Wide Mouth Mason Jars: Announced (Jul. 17, 2018). Site Visited (Jan. 25, 2023). Available from URL: <https://masonjarlifestyle.com/product/coffee-spoon-clip-for-regular-and-wide-mouth-mason-jars/>.*

(Continued)

Primary Examiner — Catherine S Posthauer

(57) **CLAIM**

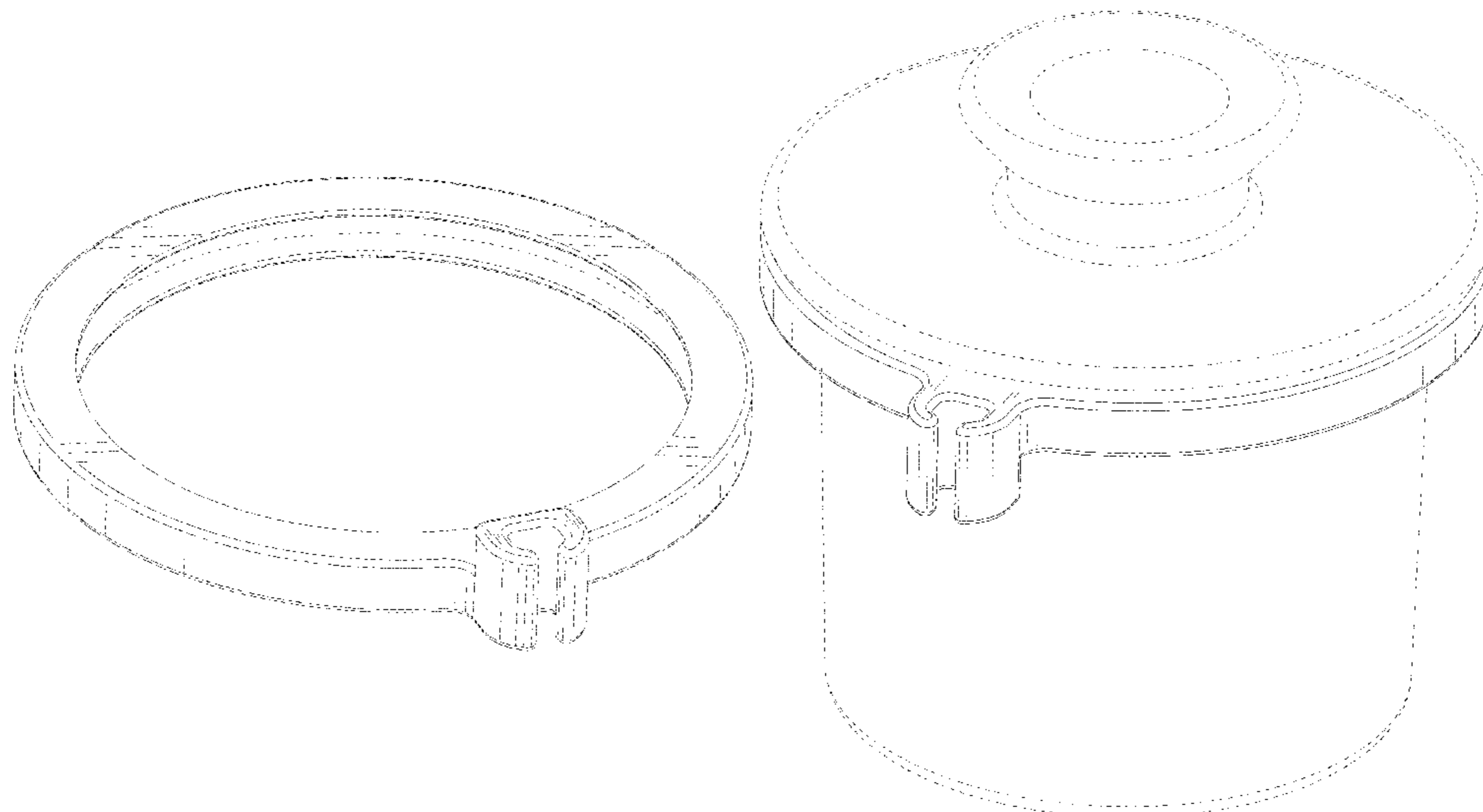
The ornamental design for a holder, as shown and described.

DESCRIPTION

FIG. 1 is a front and bottom perspective view of a holder, showing my new design;
FIG. 2 is another front and top perspective view thereof, shown in a position of use with an exemplary pot;
FIG. 3 is a front elevation view thereof, shown with the exemplary pot removed to show aspects of the design not visible when combined;
FIG. 4 is a rear elevation view thereof;
FIG. 5 is a left side elevation view thereof;
FIG. 6 is a right side elevation view thereof;
FIG. 7 is a bottom plan view thereof; and,
FIG. 8 is a top plan view thereof.

The broken lines are shown for the purpose of illustrating both parts of the article as well as environmental subject matter of an exemplary pot. None of the broken lines form part of the claimed design.

1 Claim, 8 Drawing Sheets



(56)

References Cited

U.S. PATENT DOCUMENTS

D306,689 S * 3/1990 Hamann D8/367
 D311,327 S * 10/1990 Hughes D32/54
 D313,169 S * 12/1990 Scott D8/373
 D317,388 S * 6/1991 White D7/400
 D338,064 S * 8/1993 Jones D24/128
 D344,441 S * 2/1994 Mahaney D8/333
 D348,384 S * 7/1994 Karsten D8/373
 D377,138 S * 1/1997 Angelo D7/672
 D377,753 S * 2/1997 Meadows D8/373
 D383,284 S * 9/1997 Lines D34/27
 D392,487 S * 3/1998 Cambron D6/566
 6,044,993 A * 4/2000 Yang B65D 45/06
 220/849
 D438,739 S * 3/2001 Gastelum D6/535
 D450,512 S * 11/2001 Gottwald D6/535
 D484,722 S * 1/2004 Goodman D6/546
 D532,259 S * 11/2006 Goodman D7/637
 D554,927 S * 11/2007 Smith D6/513
 D605,464 S * 12/2009 McGuire D9/434
 D623,056 S * 9/2010 Sessa D9/434
 D632,112 S * 2/2011 Sakuma D6/546
 D688,530 S * 8/2013 Sanders D7/619.1
 D705,572 S * 5/2014 Goodman D6/546
 D753,490 S * 4/2016 O'Donahue D9/455
 D767,982 S * 10/2016 Cox D8/387
 D771,869 S * 11/2016 Dulien D28/41
 D776,488 S * 1/2017 Brashears D7/393
 D792,278 S * 7/2017 Jacobson D11/164
 D797,522 S * 9/2017 Dobbs D7/620

9,776,721 B2 * 10/2017 Alford B64C 1/1484
 D822,435 S * 7/2018 George D7/354
 D836,431 S * 12/2018 Frost D8/396
 D853,797 S * 7/2019 Renner et al.
 D855,408 S * 8/2019 Tsai D7/600.1
 10,448,770 B1 * 10/2019 Kempshall F16B 2/10
 D877,485 S * 3/2020 Rampersaud D3/10
 D878,801 S * 3/2020 Wang D6/512
 D891,146 S * 7/2020 Seum D6/549
 D897,881 S * 10/2020 Ashton D6/315
 D915,102 S * 4/2021 Sina D6/546
 D916,505 S * 4/2021 Zhong D6/546
 D923,402 S * 6/2021 Gulati D7/402
 D934,683 S * 11/2021 Stevenson D9/455
 D959,192 S * 8/2022 Lin D7/619.1
 D966,880 S * 10/2022 Lamb D8/395

OTHER PUBLICATIONS

Jarware Coffee Spoon Clip Mason Jar Accessory: Site Visited (Jan. 25, 20243). Available from URL: <https://www.littleredhen.org/products/fox-run-jarware-coffee-spoon-clip>.*
 Glass Jar with Bamboo Lids and Spoon: Announced (Aug. 14, 2019). Site Visited (Jan. 24, 2023). Available from URL: https://www.amazon.com/Glass-Containers-Bamboo-Airtight-Spoon/dp/B07WGSR8KB/ref=sr_1_2?crd=15EBKOSZ8U1KJ&keywords=sugar%2Bjar%2Bwith%2Butensil%2Bclip&qid=1674652547&srefix=sugar%2Bjar%2Bwith%2Butensil%2Bclip%2Caps%2C91&sr=8-2&th=1.*

* cited by examiner

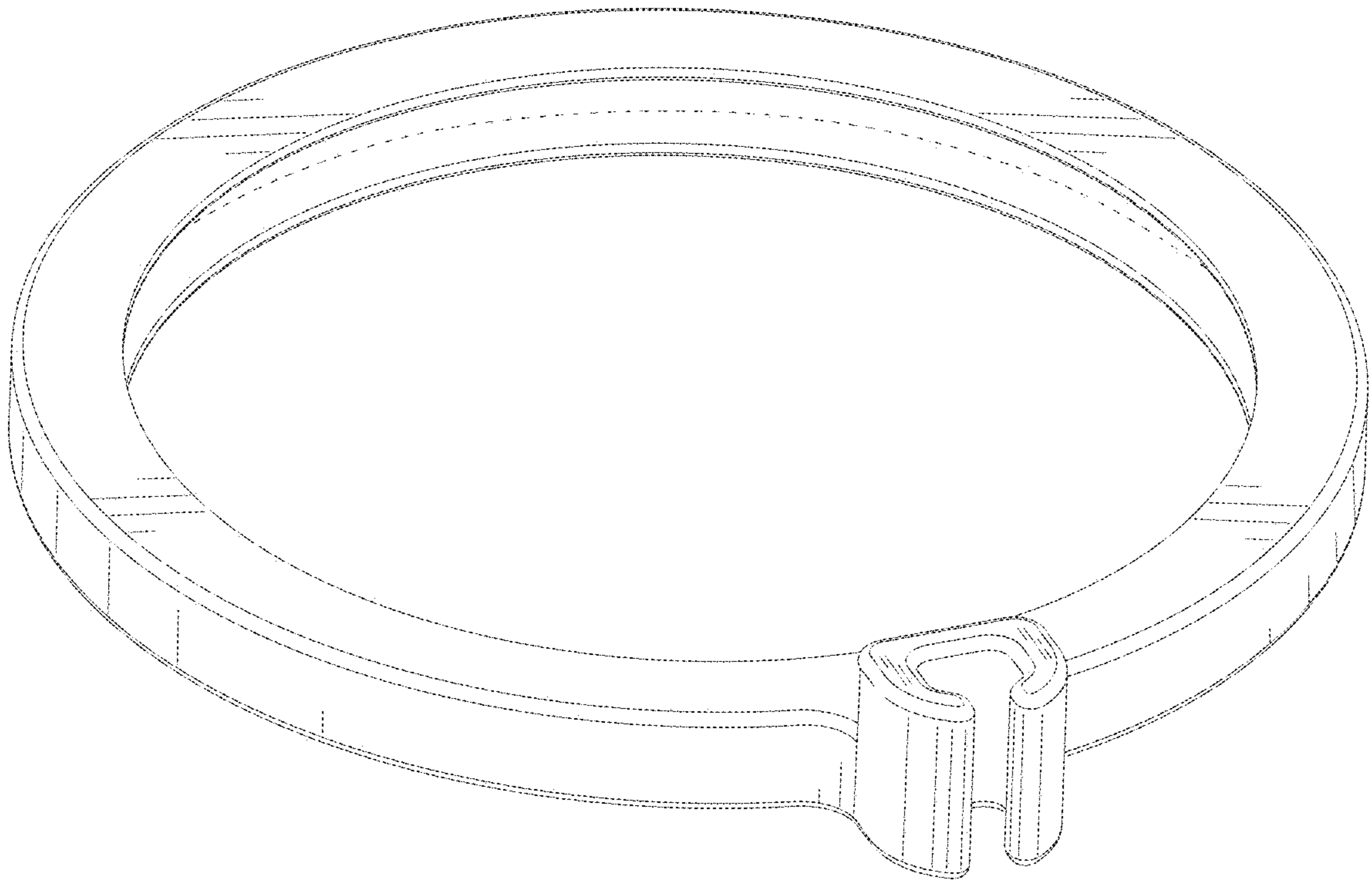


FIG. 1

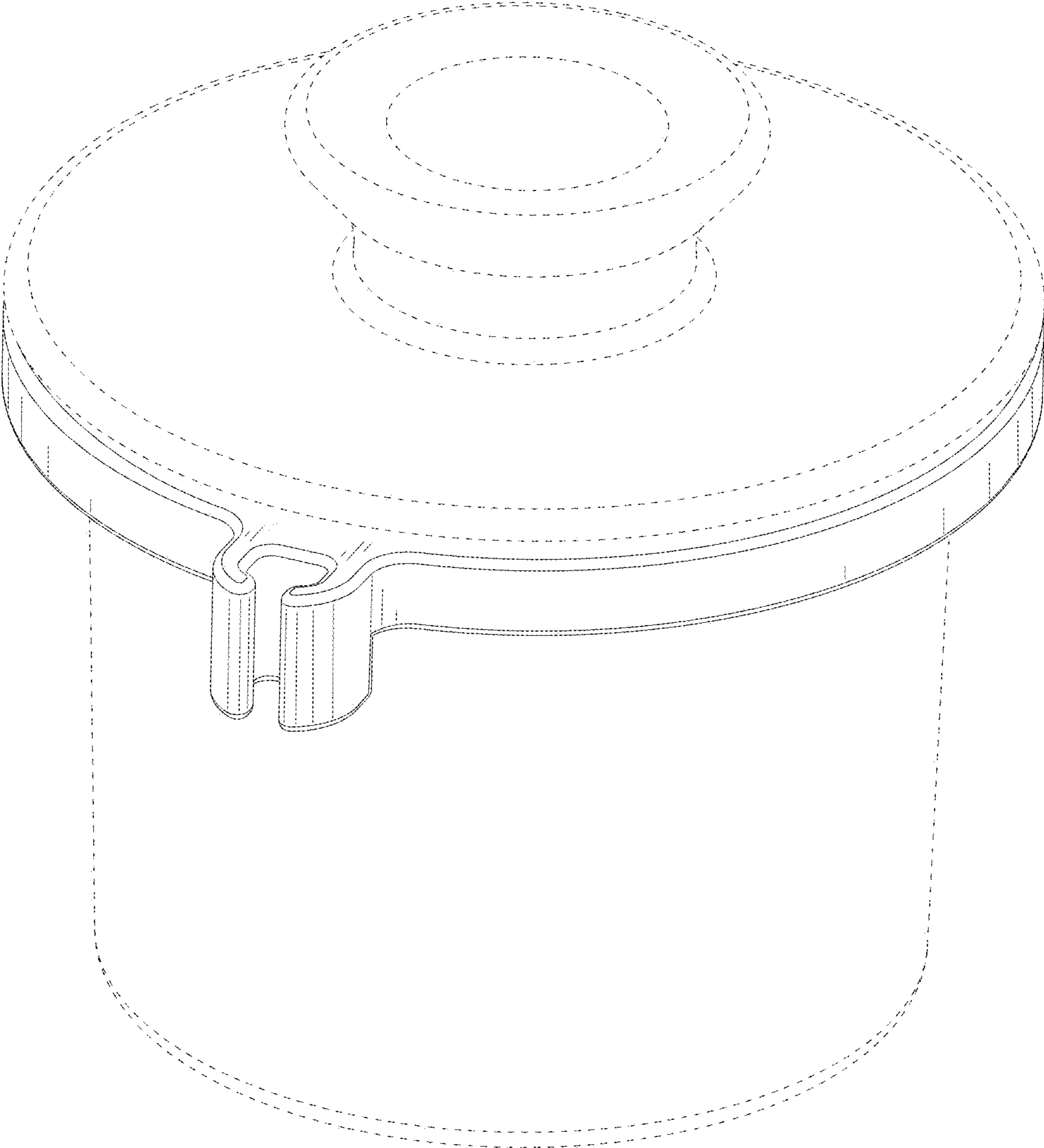


FIG. 2

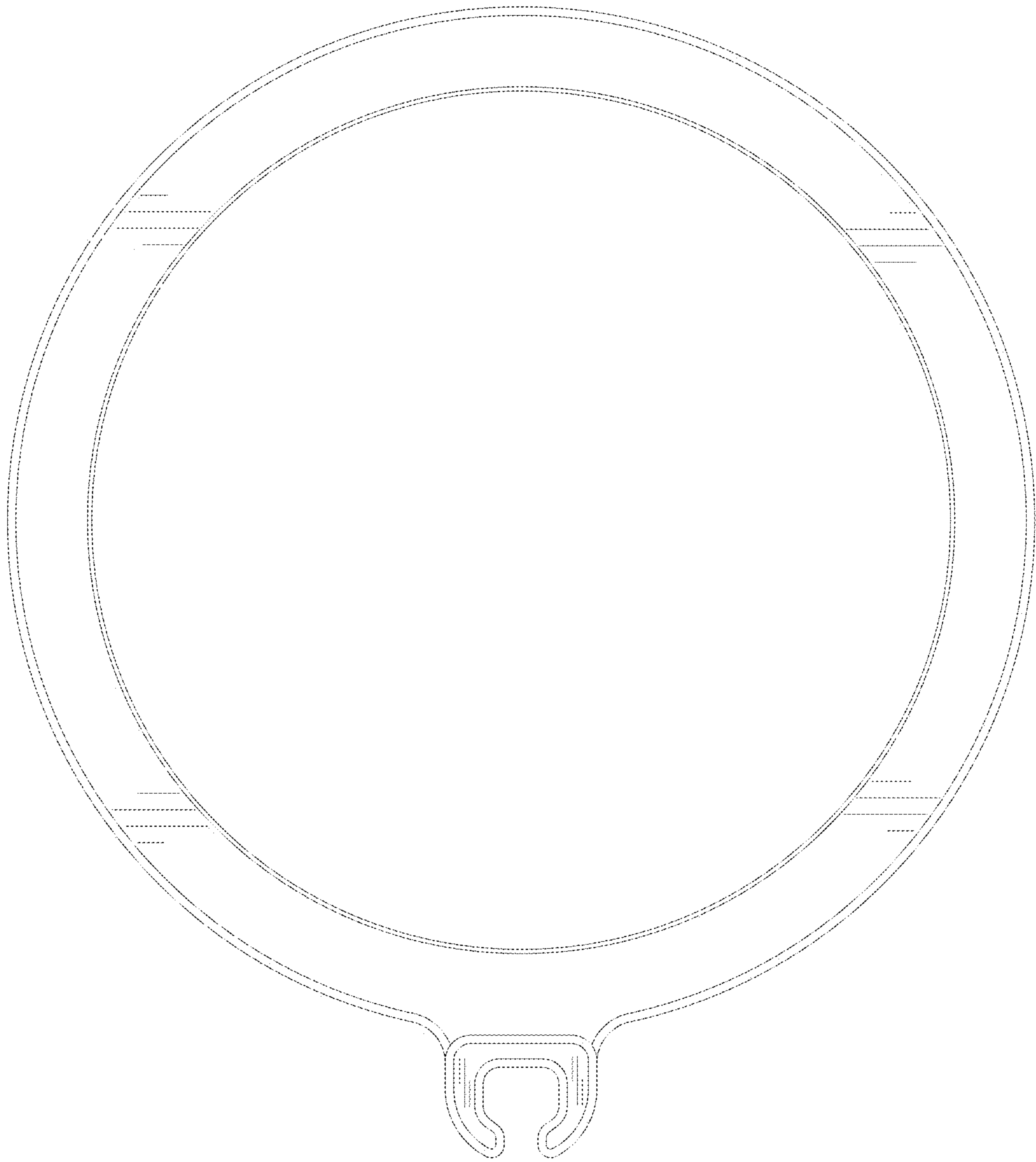


FIG. 3

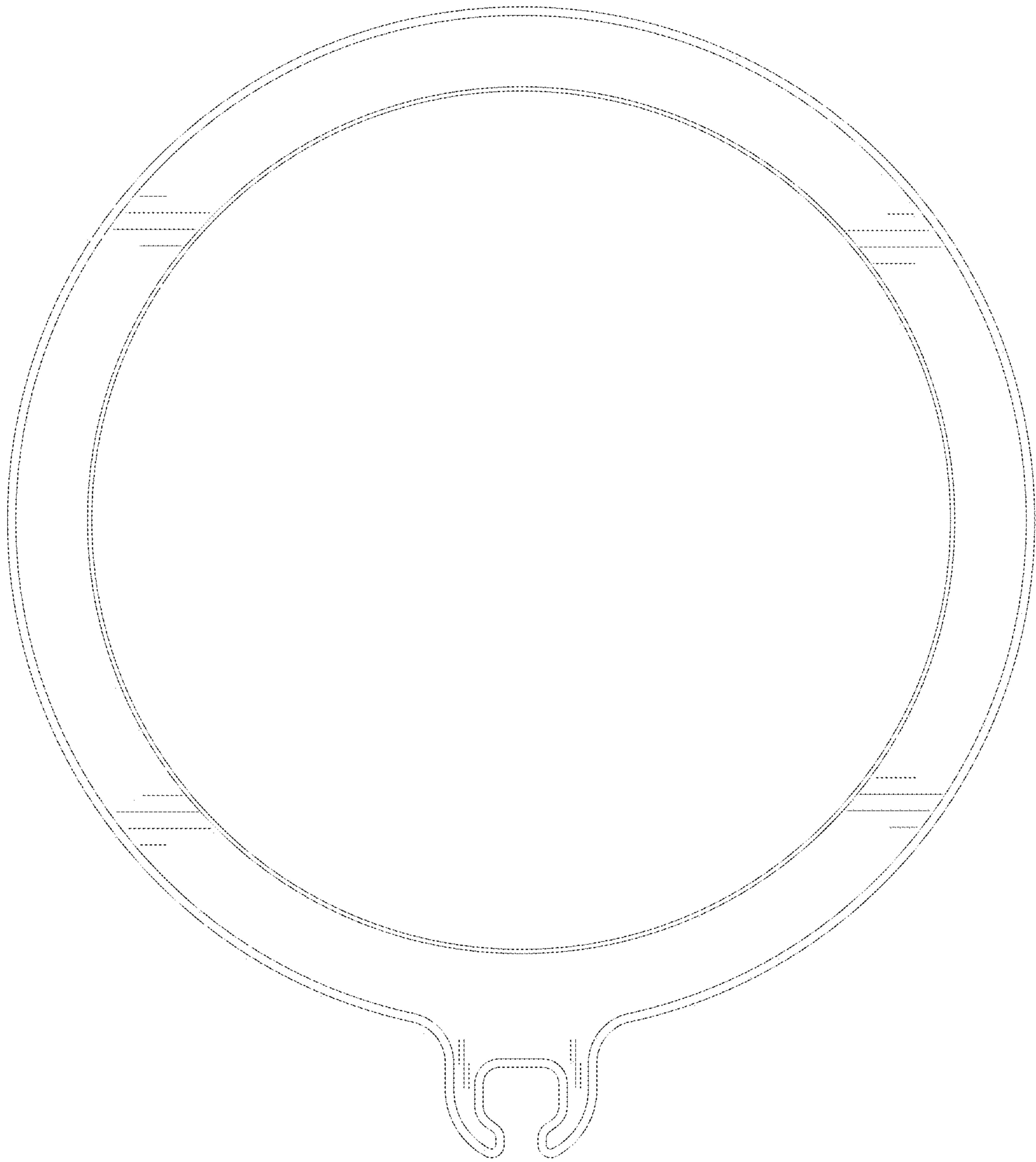


FIG. 4

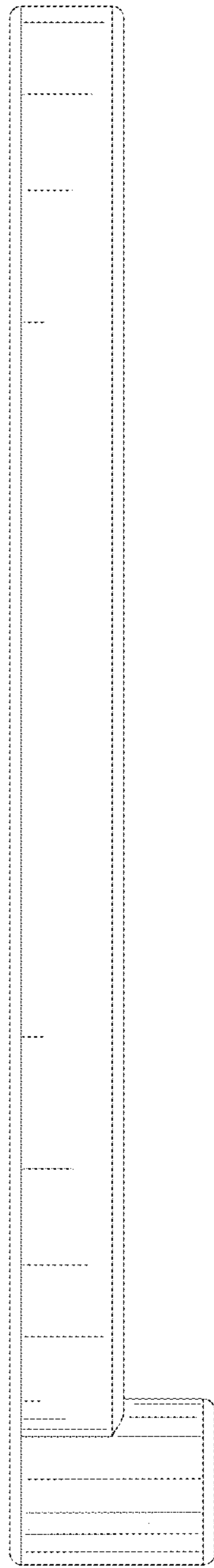


FIG. 5

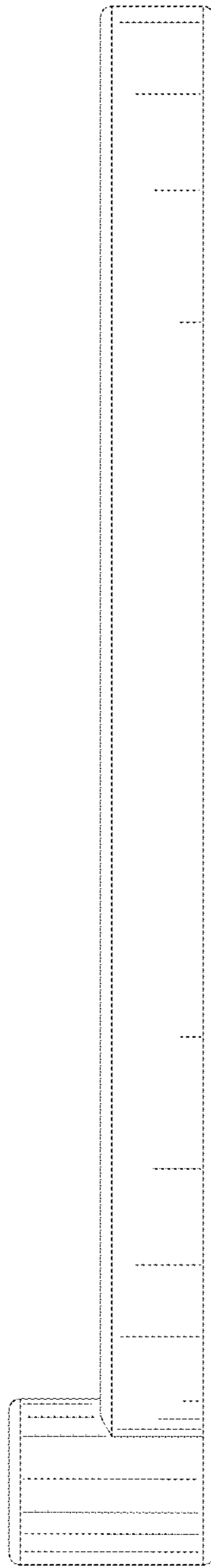


FIG. 6

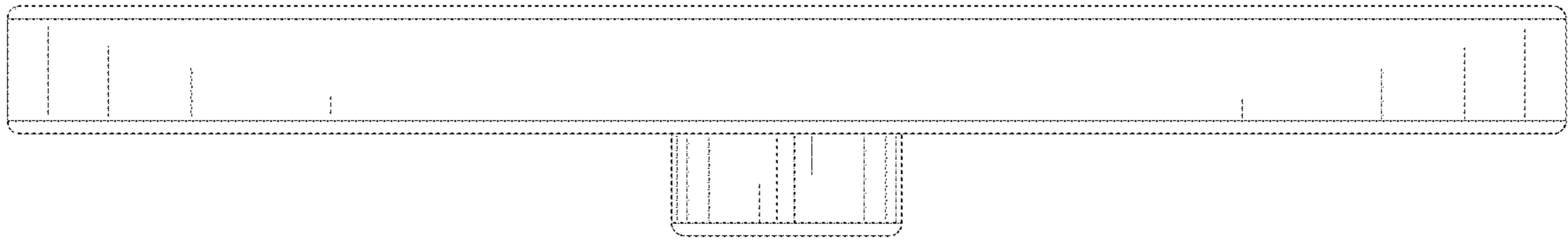


FIG. 7

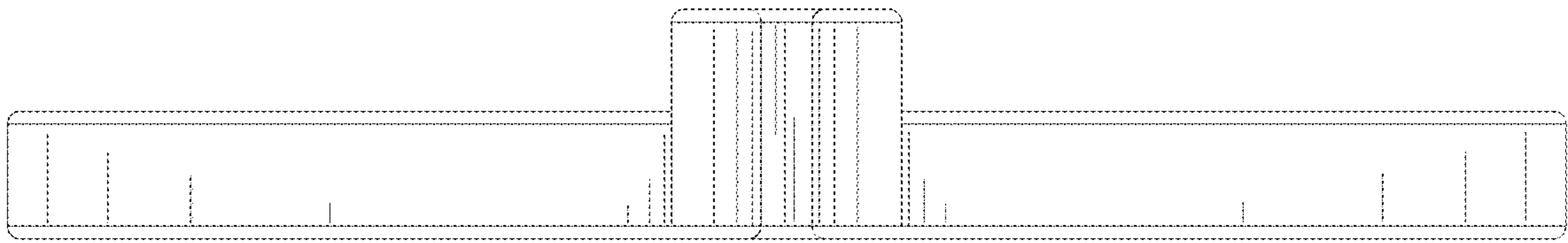


FIG. 8