



US00D988067S

(12) **United States Design Patent**
Rajasekaran

(10) **Patent No.:** **US D988,067 S**

(45) **Date of Patent:** **** Jun. 6, 2023**

(54) **BLENDER**

(71) Applicant: **E. MISHAN & SONS, INC.**, New York, NY (US)

(72) Inventor: **Mohan Rajasekaran**, Watertown, CT (US)

(73) Assignee: **E. MISHAN & SONS, INC.**, New York, NY (US)

(**) Term: **15 Years**

(21) Appl. No.: **29/862,704**

(22) Filed: **Dec. 12, 2022**

(51) **LOC (14) Cl.** **31-00**

(52) **U.S. Cl.**
USPC **D7/378**

(58) **Field of Classification Search**
USPC D7/300, 306, 307, 308, 309, 312, 313, D7/318, 328, 330, 331, 372, 373, 374, D7/375, 376, 377, 378, 379, 380, 381, D7/382, 383, 384, 385, 386, 412, 413, D7/694, 679

CPC A47J 43/04; A47J 43/042; A47J 43/044; A47J 43/046; A47J 43/0722; A47J 42/00; A47J 42/06; A47J 42/16; A47J 42/32; A47J 42/40; A47J 42/52; A23N 1/00; A23N 1/02; B02C 1/08; B02C 2/04; B02C 4/42; B02C 4/423; B02C 13/1835
See application file for complete search history.

(56) **References Cited**

U.S. PATENT DOCUMENTS

| | | |
|-------------|---------|-----------------|
| 2,086,858 A | 7/1937 | Dunkelberger |
| 2,912,633 A | 11/1959 | Nebinger et al. |
| 3,612,126 A | 10/1971 | Emmons et al. |
| 3,627,008 A | 12/1971 | Samuelian |
| 3,785,579 A | 1/1974 | Voglesonger |
| 3,786,999 A | 1/1974 | Cabell |
| 3,791,597 A | 2/1974 | Walter et al. |

| | | |
|-------------|---------|-----------------|
| 4,199,268 A | 4/1980 | Parzych |
| 4,362,277 A | 12/1982 | Amiot |
| 4,541,573 A | 9/1985 | Fujiwara et al. |
| 4,799,626 A | 1/1989 | Hickel et al. |
| (Continued) | | |

FOREIGN PATENT DOCUMENTS

| | | |
|-------------|----------------|--------|
| EM | 001430706-0015 | 2/2016 |
| EM | 002992305-0001 | 2/2016 |
| (Continued) | | |

OTHER PUBLICATIONS

Blender, SHARDOR Personal Blender, announced Jun. 10, 2021 [online], retrieved Mar. 6, 2023, retrieved from internet, <https://www.amazon.com/SHARDOR-Personal-Smoothies-Adjustable-Milkshake/dp/B096ZKB1P8> (Year: 2021).*

(Continued)

Primary Examiner — Messina L Smith
(74) *Attorney, Agent, or Firm* — Notaro, Michalos & Zaccaria P.C.

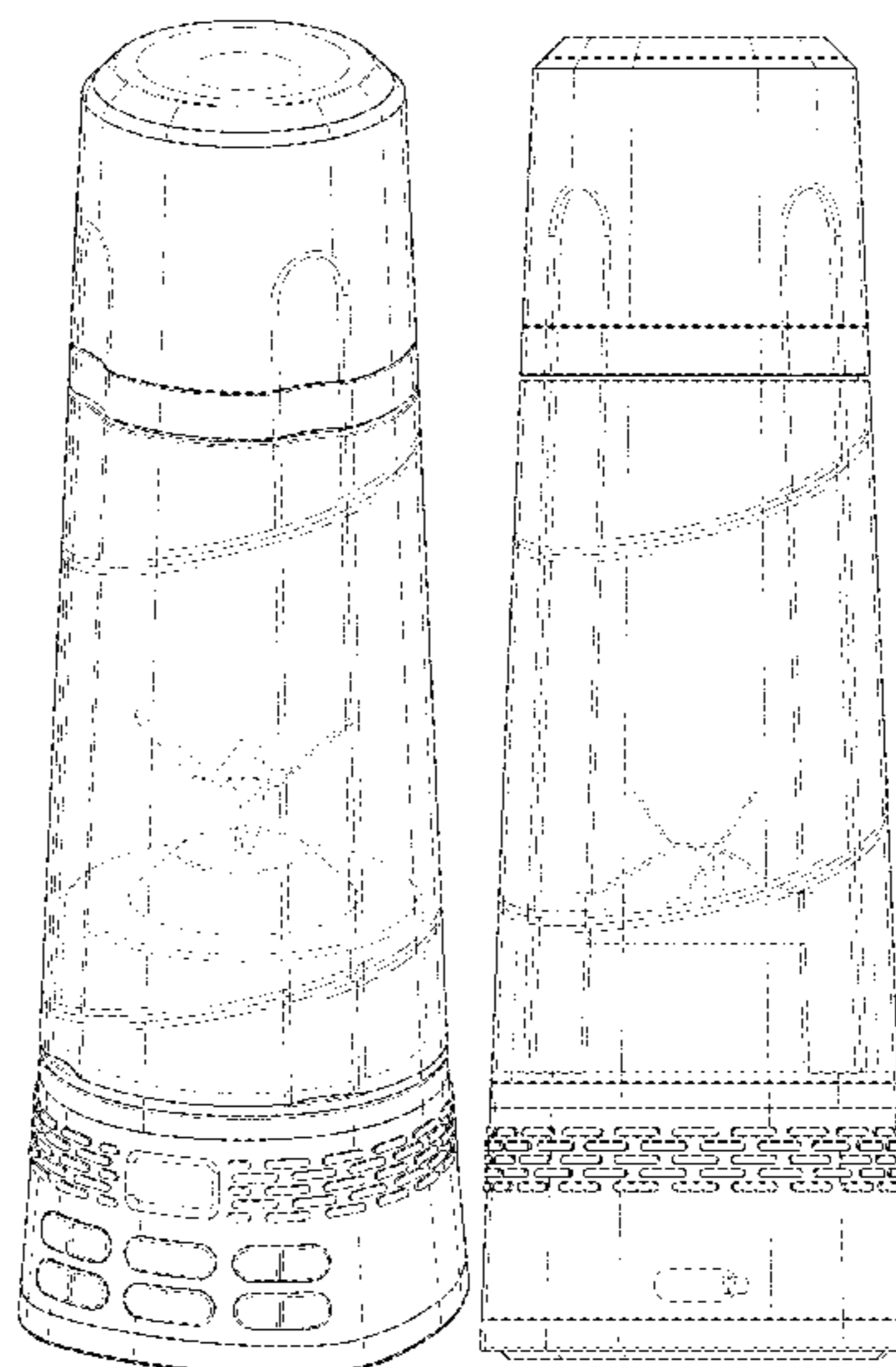
(57) **CLAIM**

The ornamental design for a blender, as shown and described.

DESCRIPTION

FIG. 1 is a front perspective view of a blender showing my new design.
FIG. 2 is a front view thereof.
FIG. 3 is a rear view thereof.
FIG. 4 is a right side elevation view thereof.
FIG. 5 is a left side elevation view thereof.
FIG. 6 is a top view thereof.
FIG. 7 is a bottom view thereof; and,
FIG. 8 is an enlarged top view of the blender.
The broken lines in the drawings depict portions of the blender that form no part of the claimed design.

1 Claim, 8 Drawing Sheets



(56)

References Cited

U.S. PATENT DOCUMENTS

4,822,172 A 4/1989 Stottmann
 4,911,557 A 3/1990 Dormer et al.
 5,323,973 A 6/1994 Ferrara, Jr.
 5,347,205 A 9/1994 Piland
 D352,640 S * 11/1994 Kibbe D7/679
 5,539,288 A 7/1996 Neijzen et al.
 6,186,425 B1 2/2001 Celso De Almeida Mattos
 6,350,053 B1 2/2002 Morin
 6,397,735 B1 6/2002 Wong
 6,402,365 B1 6/2002 Wong
 6,554,466 B1 4/2003 Lee
 6,637,681 B1 10/2003 Planca et al.
 6,700,340 B2 3/2004 Wong et al.
 6,817,750 B1 11/2004 Sands
 D511,658 S 11/2005 Sun
 6,981,795 B2 1/2006 Nikkah
 D518,994 S 4/2006 Lin
 7,063,456 B2 6/2006 Miller et al.
 D549,043 S 8/2007 Beesley et al.
 7,318,666 B1 1/2008 Lin
 8,042,990 B2 10/2011 Pryor, Jr. et al.
 D665,620 S 8/2012 Chapman et al.
 D669,304 S * 10/2012 Bock D7/378
 8,292,490 B2 10/2012 Bohannon, Jr. et al.
 8,360,480 B2 1/2013 Athey et al.
 8,403,556 B2 3/2013 Wu
 9,039,274 B1 5/2015 Corda
 9,049,967 B1 6/2015 Golino et al.
 D737,629 S 9/2015 Sands
 9,144,348 B2 9/2015 Fevre et al.
 9,555,384 B2 1/2017 Haney et al.
 9,565,972 B1 2/2017 Ormaza
 9,706,879 B2 7/2017 Harvey
 D801,108 S 10/2017 Pan
 9,775,467 B2 10/2017 Sapire
 9,872,588 B2 1/2018 Gushwa et al.
 10,004,141 B2 6/2018 Hackert et al.
 D829,496 S * 10/2018 Kim D7/378
 10,111,557 B2 10/2018 Sapire
 10,251,515 B2 4/2019 Hosner
 10,299,629 B2 5/2019 Bascom et al.
 10,343,175 B1 7/2019 Abehasera
 10,362,903 B2 7/2019 Mizrahi
 10,383,482 B1 8/2019 Pamplin
 10,517,436 B2 12/2019 Arnett et al.
 D873,601 S 1/2020 Sirju
 D889,191 S * 7/2020 Finnance D7/378
 10,702,837 B1 7/2020 Pamplin
 10,730,026 B2 8/2020 Hoare et al.
 10,828,612 B1 11/2020 Pamplin
 D903,400 S 12/2020 Li
 D905,494 S 12/2020 Potaki et al.

10,898,028 B2 1/2021 Sapire
 D916,549 S * 4/2021 Li D7/378
 D919,368 S 5/2021 Bannister et al.
 D930,425 S 9/2021 Bourgeois
 D931,038 S * 9/2021 Henderson D7/373
 11,213,171 B2 1/2022 Faulkner-Edwards et al.
 D951,007 S * 5/2022 Yang D7/378
 D964,822 S * 9/2022 Xu D7/679
 D975,915 S * 1/2023 Noori D27/194
 D977,891 S * 2/2023 Lin D7/318
 2005/0152215 A1 7/2005 Stuart et al.
 2006/0007779 A1 1/2006 Fernandez et al.
 2010/0301806 A1 12/2010 Ormaza et al.
 2017/0196405 A1 7/2017 Hoare et al.
 2017/0224168 A1 8/2017 Lin et al.
 2017/0354940 A1 12/2017 Kolar et al.
 2019/0021549 A1 * 1/2019 Bock A47J 43/046
 2020/0029741 A1 1/2020 Liu et al.
 2020/0078749 A1 3/2020 Yuan et al.
 2020/0229647 A1 7/2020 Hack et al.
 2020/0345181 A1 * 11/2020 Potaki A47J 43/0722
 2021/0302016 A1 9/2021 Pan
 2021/0345829 A1 11/2021 Finnance
 2021/0353103 A1 11/2021 Bangser et al.

FOREIGN PATENT DOCUMENTS

EM 002992305-0002 2/2016
 EM 003621036-0001 1/2017
 EM 003746460-0001 2/2017
 EM 004697522-0001 4/2018
 EM 008301063-0002 12/2020
 EP 3973830 A1 3/2022
 JP D1711536 * 4/2022
 TR 202205258-0001 * 6/2022
 TR 202210454-0001 * 10/2022

OTHER PUBLICATIONS

Mulli Portable Blender, announced Dec. 15, 2020 [online], retrieved Mar. 6, 2023, retrieved from internet, <https://www.amazon.com/dp/B08MTGGYM7> (Year: 2020).*

Mini Portable Blender, announced Nov. 4, 2022 [online], retrieved Mar. 6, 2023, retrieved from internet, <https://www.amazon.com/dp/B0BLH7W171> (Year: 2022).*

Portable Blender USB Rechargeable, announced Jan. 28, 2021 [online], retrieved Mar. 6, 2023, retrieved from internet, (Year: 2021).*

Big Boss 15-Piece Hi Speed 300-Watt Personal Countertop Blender, announced Dec. 8, 2010 [online], retrieved Mar. 6, 2023, retrieved from internet, <https://www.amazon.com/Big-Boss-15-Piece-300-Watt-Countertop/dp/B004FLK0HI> (Year: 2010).*

* cited by examiner

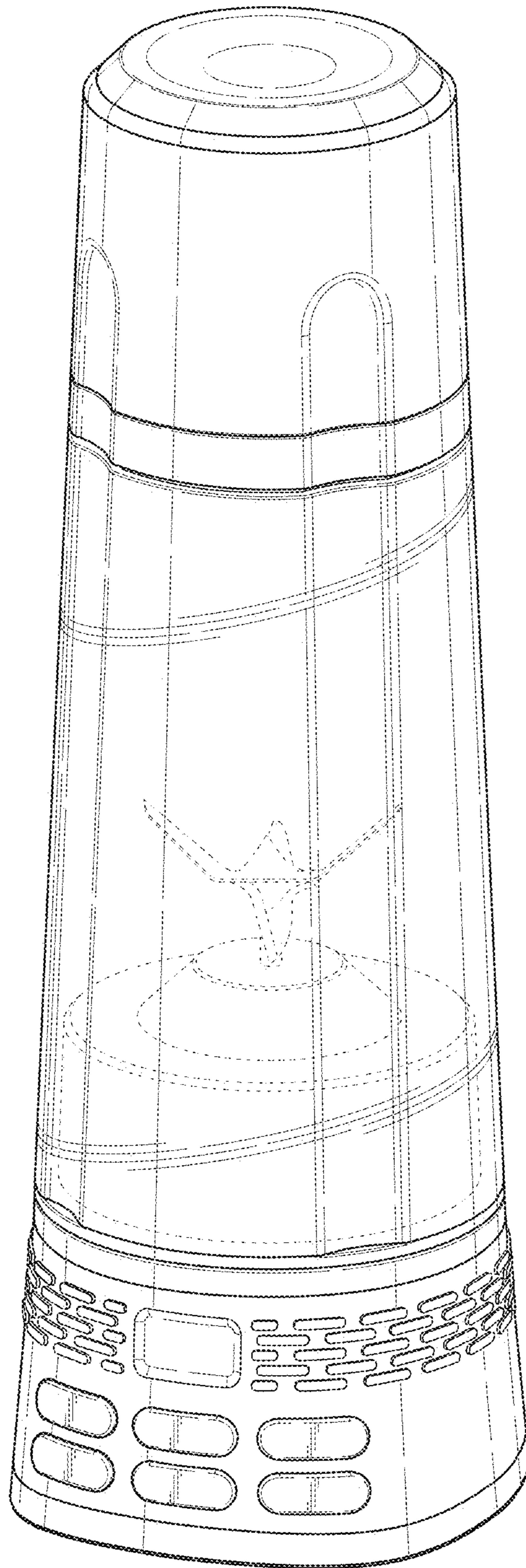


FIG. 1

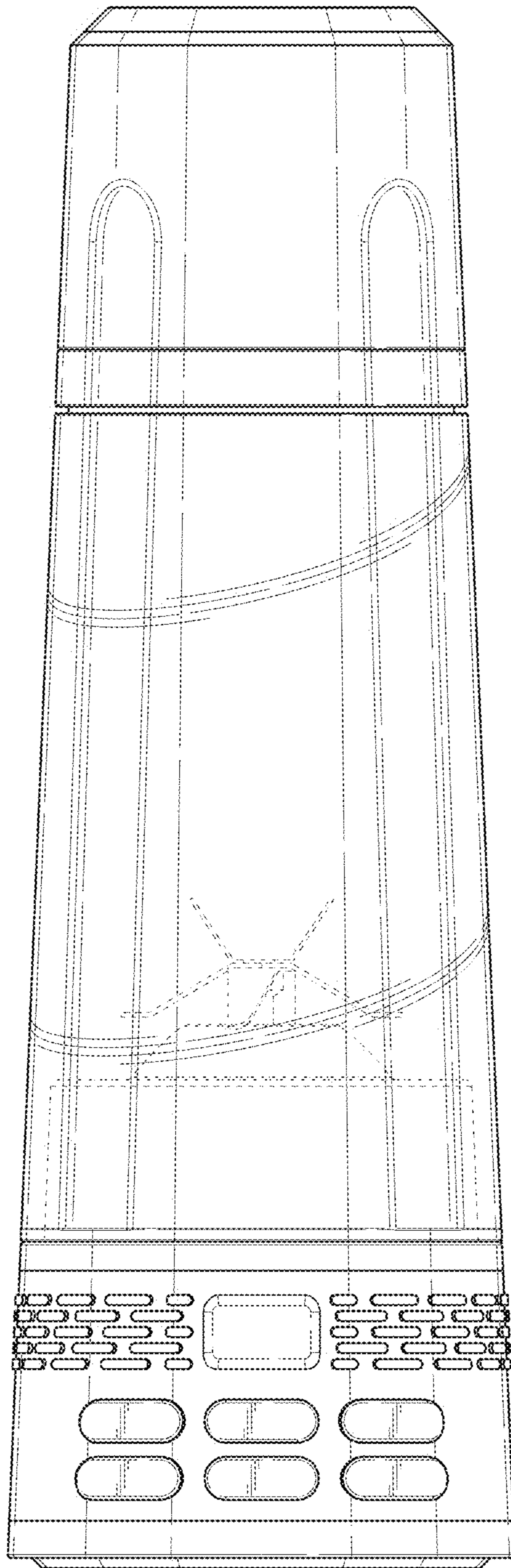


FIG. 2

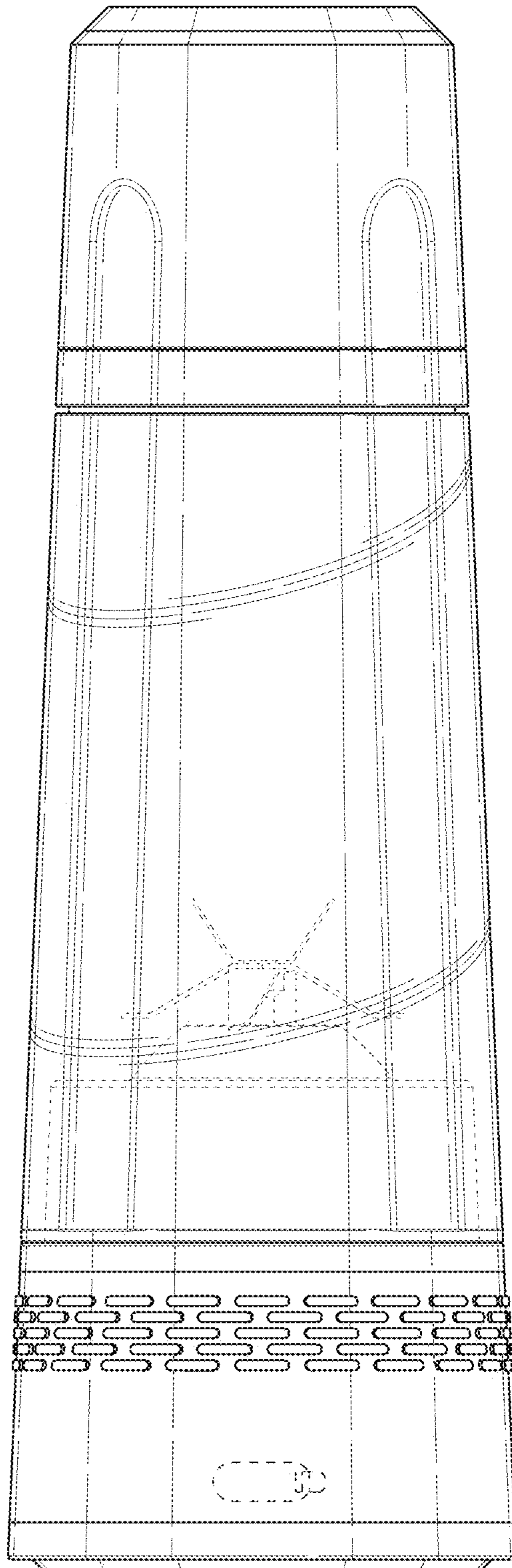


FIG. 3

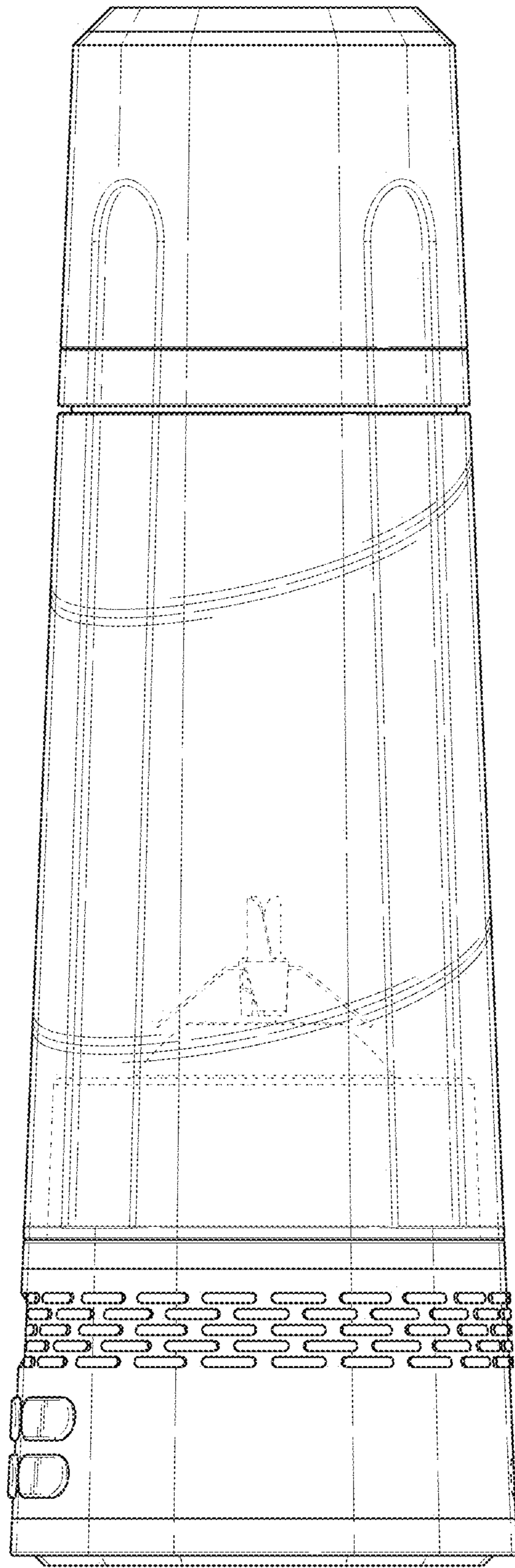


FIG. 4

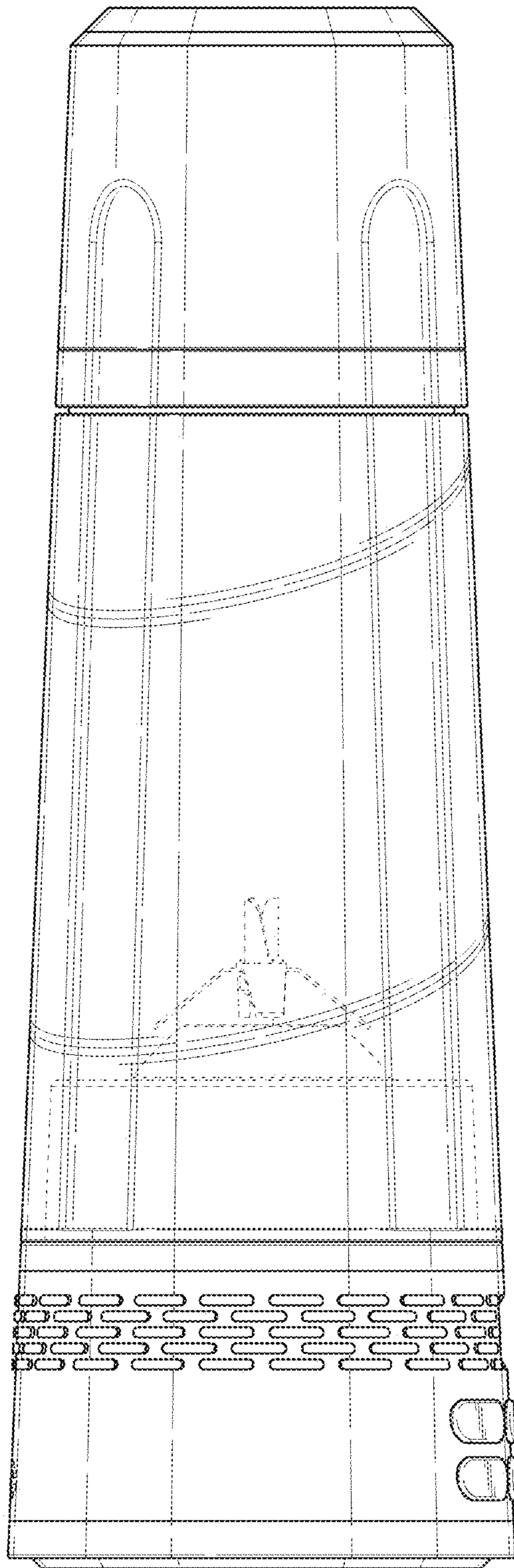


FIG. 5

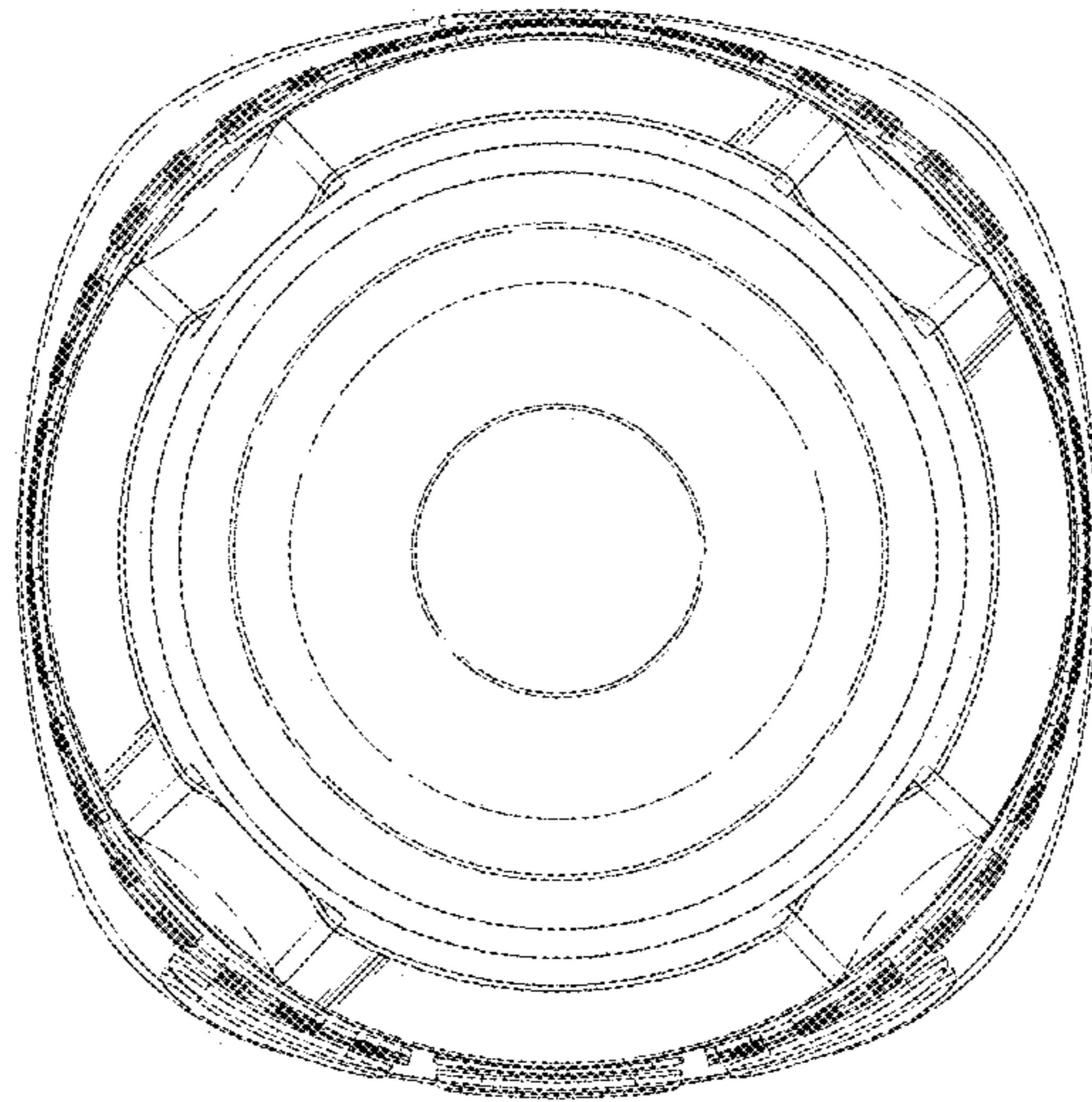


FIG. 6

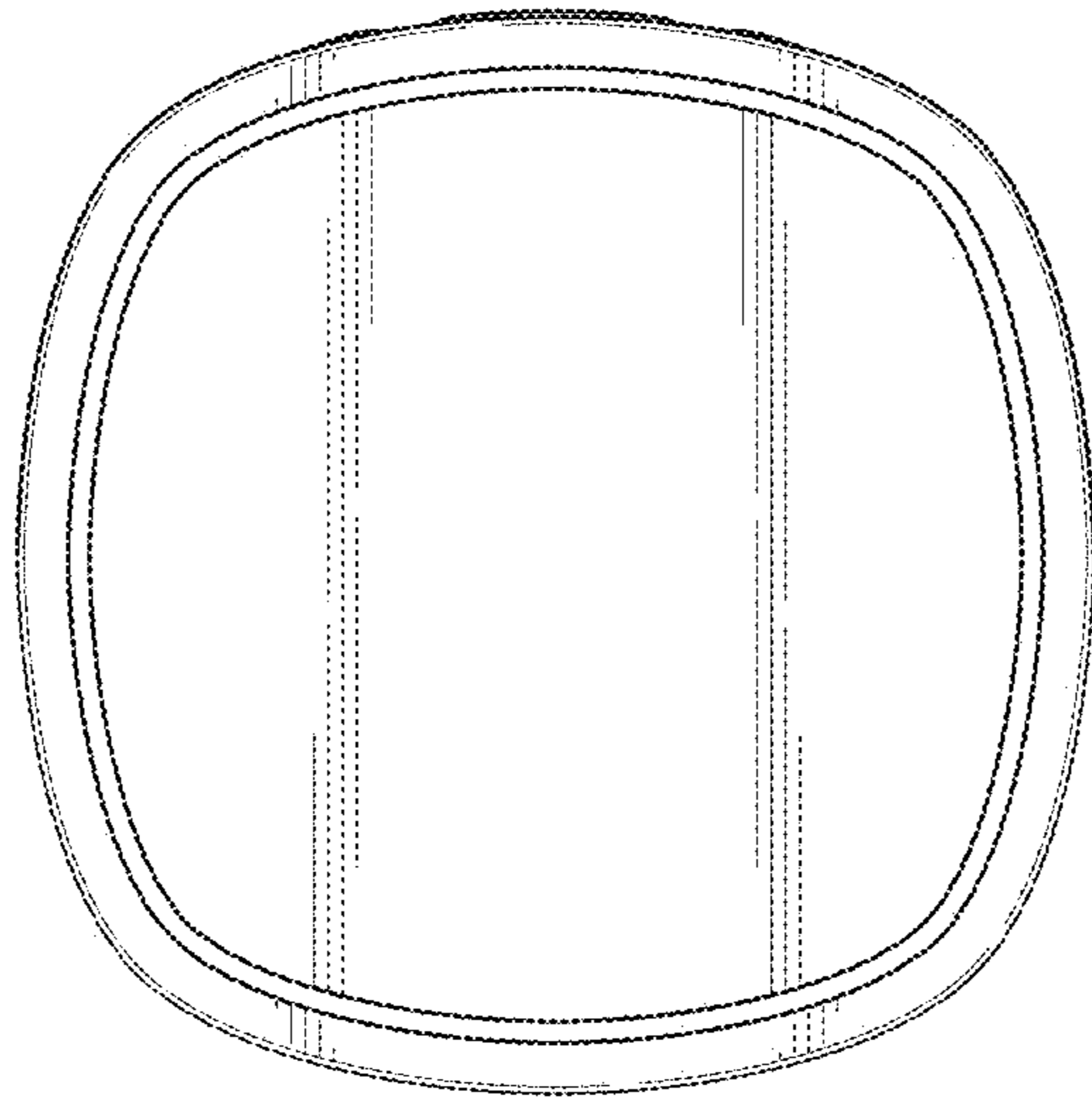


FIG. 7

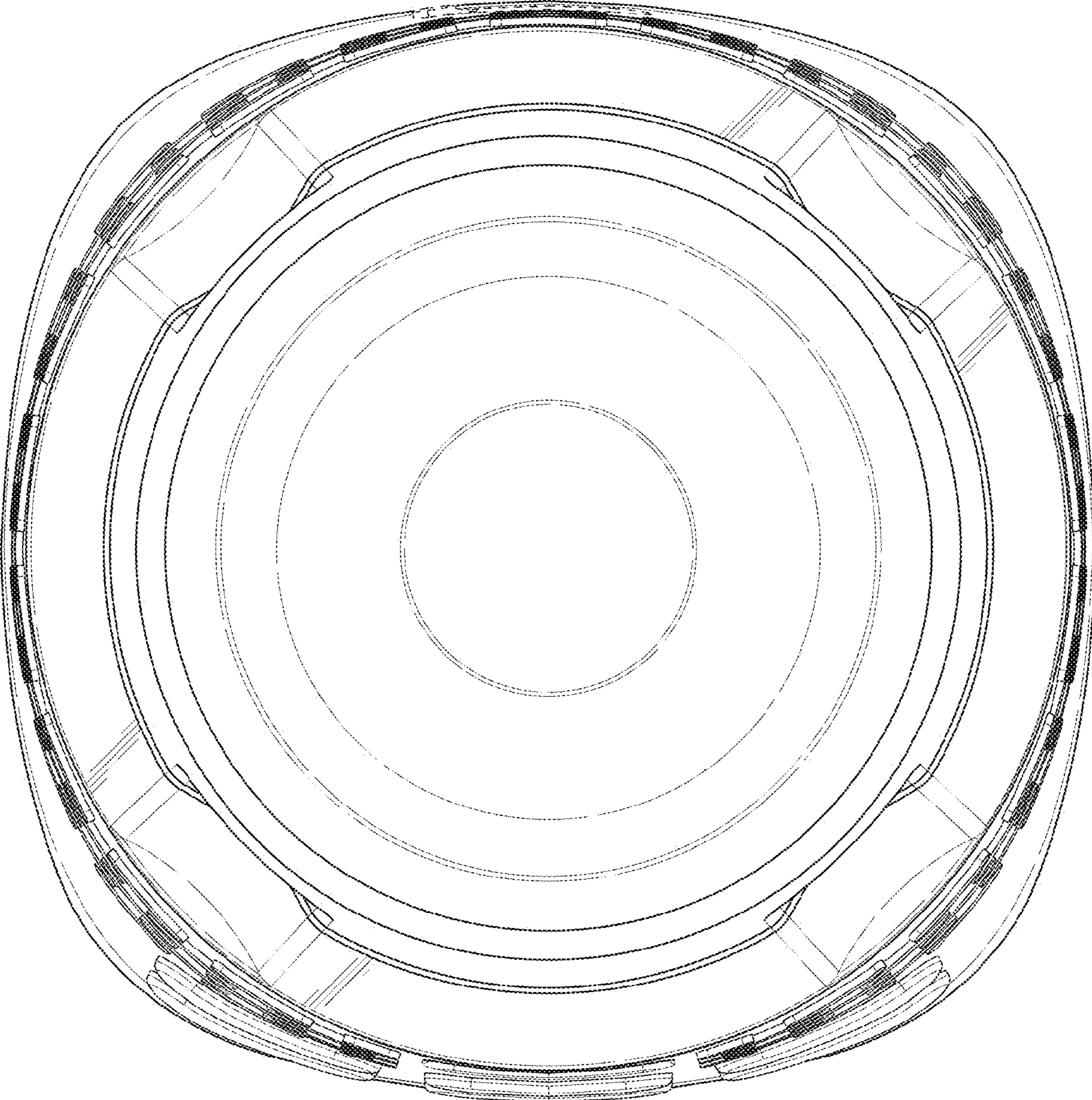


FIG. 8