



US00D988066S

(12) **United States Design Patent**
Kim et al.

(10) **Patent No.:** **US D988,066 S**
(45) **Date of Patent:** **** Jun. 6, 2023**

(54) **BLENDER**

FOREIGN PATENT DOCUMENTS

(71) Applicant: **Samsung Electronics Co., Ltd.**,
Suwon-si (KR)

CN 201030634492.2 7/2011
CN 201630353731.4 9/2016

(Continued)

(72) Inventors: **Yeon-Su Kim**, Suwon-si (KR);
June-Hyuck Choi, Suwon-si (KR);
Yeon-Young Nam, Suwon-si (KR);
Gi-Sung Han, Suwon-si (KR);
Bo-Kyeong Lee, Suwon-si (KR)

OTHER PUBLICATIONS

Redmond Travel Portable Smoothies Juicer, posted date unknown
[online], [retrieved Jan. 5, 2023]. Retrieved from internet, <https://www.globalsources.com/Juice/travel-portable-juicer-1187762990p.htm>.*

(Continued)

(73) Assignee: **Samsung Electronics Co., Ltd.**,
Suwon-si (KR)

Primary Examiner — Nicole C Shiflet

Assistant Examiner — Yen Le Southwood

(**) Term: **15 Years**

(74) *Attorney, Agent, or Firm* — NSIP Law

(21) Appl. No.: **29/784,322**

(57) **CLAIM**

(22) Filed: **May 19, 2021**

We claim the ornamental design for a blender, as shown and described.

(30) **Foreign Application Priority Data**

DESCRIPTION

Mar. 26, 2021 (KR) 30-2021-0014561

(51) **LOC (14) Cl.** **31-00**

(52) **U.S. Cl.**
USPC **D7/378**

(58) **Field of Classification Search**
USPC D7/318, 303, 309, 321, 358, 369, 370,
D7/371, 372, 373, 376, 377, 378, 379,
D7/380, 381, 383, 384, 385, 386, 391,
D7/396, 398, 412, 413, 414, 415, 586,
(Continued)

FIG. 1 is a front perspective view of a blender showing our new design;

FIG. 2 is a front view thereof;

FIG. 3 is a rear view thereof;

FIG. 4 is a left-side view thereof;

FIG. 5 is a right-side view thereof;

FIG. 6 is a top view thereof;

FIG. 7 is a bottom view thereof;

FIG. 8 is an enlarged view of the encircled portion in FIG. 1; and,

FIG. 9 is an enlarged view of the encircled portion in FIG. 1.

The evenly dashed broken lines in the figures depict portions of the blender which form no part of the claimed design.

The dot-dash broken lines encircling portions of the claimed design that are illustrated in enlargements form no part of the claimed design.

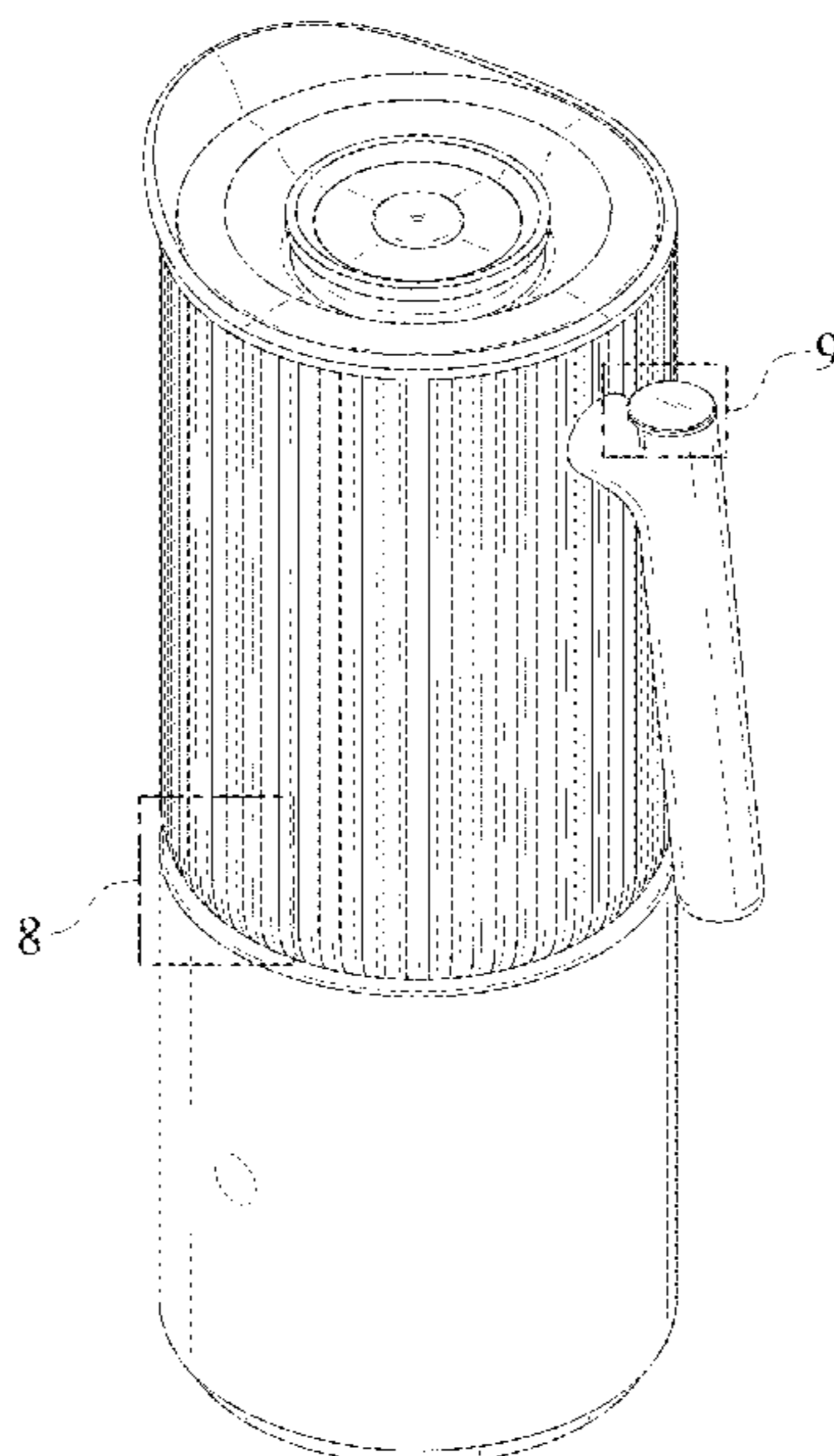
(56) **References Cited**

U.S. PATENT DOCUMENTS

D215,570 S * 10/1969 Levin D7/413
D302,926 S * 8/1989 Beeren D7/319
D530,993 S * 10/2006 Kolflat D7/679

(Continued)

1 Claim, 9 Drawing Sheets



(58) **Field of Classification Search**

USPC D7/665, 669, 673, 676, 679, 693, 694,
 D7/695, 700, 317, 319
 CPC A47J 36/2483; A47J 31/061; A47J 17/02;
 A47J 19/00; A47J 19/02; A47J 16/023;
 A47J 19/025; A47J 19/027; A47J 27/06;
 A47J 27/08; A47J 27/0804; A47J
 27/0808; A47J 27/0815; A47J 27/21;
 A47J 27/212; A47J 27/56; A47J 27/57;
 A47J 27/575; A47J 36/10; A47J 31/40;
 A47J 31/42; A47J 31/4482; A47J
 31/4485; A47J 31/4489; A47J 31/4496;
 A47J 31/46; A47J 31/407; A47J 31/50;
 A47J 31/18; A47J 31/00; A47J 42/02;
 A47J 42/04; A47J 42/06; A47J 42/12;
 A47J 42/14; A47J 42/16; A47J 42/50;
 A47J 42/30; A47J 43/00; A47J 43/04;
 A47J 43/042; A47J 43/044; A47J 43/046;
 A47J 43/12; A47J 43/25; A47J 43/255;
 A47J 43/07; A47J 43/0727; A47J
 43/0711; A47J 43/0722; A47J 43/1087;
 A47J 43/1093; A47J 43/121; A47J
 43/122; A47J 43/0716; A47J 2043/04409;
 A47J 2043/04418; A47J 2043/04427;
 A47J 2043/04454; A47J 2043/04481;
 A47J 44/00; A47J 2031/0694; A47J
 27/21008; A47J 27/004; A47J 43/284;
 A47J 43/27; A47J 31/20; A47J 31/38;
 A21C 1/02; A01J 11/04

See application file for complete search history.

(56) **References Cited**

U.S. PATENT DOCUMENTS

D646,522 S * 10/2011 Collinson D7/378
 8,467,669 B2 * 6/2013 Widanagama Don
 A47J 31/20
 239/128

D747,135 S 1/2016 Ha
 D792,737 S * 7/2017 Stergiotis D7/376
 D859,076 S * 9/2019 Lee D7/413
 D878,135 S * 3/2020 Bodum D7/317
 D897,772 S * 10/2020 Kim D7/412
 D920,032 S * 5/2021 McConnell D7/378
 D925,269 S * 7/2021 Thun D7/378
 2013/0284030 A1 * 10/2013 Katz A47J 31/38
 99/297
 2015/0101491 A1 * 4/2015 Lin A47J 27/004
 99/348
 2016/0353934 A1 * 12/2016 Shanmugam A47J 43/0727
 2020/0323378 A1 * 10/2020 Patel A47J 43/284
 2022/0240709 A1 * 8/2022 Lee A47J 27/21008

FOREIGN PATENT DOCUMENTS

CN 201730213294.0 10/2017
 CN 306883672 * 10/2021
 CN 307567183 * 9/2022
 EM 003337302-0001 8/2016
 EM 008672703-0001 * 9/2021
 IN 329493-001-0001 * 11/2019
 JP D1685793 * 5/2021
 WO D214415-001 * 11/2021

OTHER PUBLICATIONS

Beast Blender, posted Apr. 27, 2021 [online], [retrieved Jan. 5, 2023]. Retrieved from internet, <https://www.amazon.com/Blender-Smoothies-Shakes-Kitchen-Countertop/dp/B093JC4VD2/> (Year: 2021).*

Pipimoo Portable Personal Size Blender, posted Mar. 17, 2022 [online], [retrieved Jan. 5, 2023]. Retrieved from internet, <https://www.amazon.com/dp/B0B1GT4WJW/> (Year: 2022).*

PLKJZ Blender, posted Sep. 2, 2020 [online], [retrieved Jan. 5, 2023]. Retrieved from internet, https://www.amazon.com/dp/B08H6YW4YQ/ref=sbl_dpx_kitchen-blenders_B0B1GT4WJW_0 (Year: 2020).*

* cited by examiner

FIG. 1

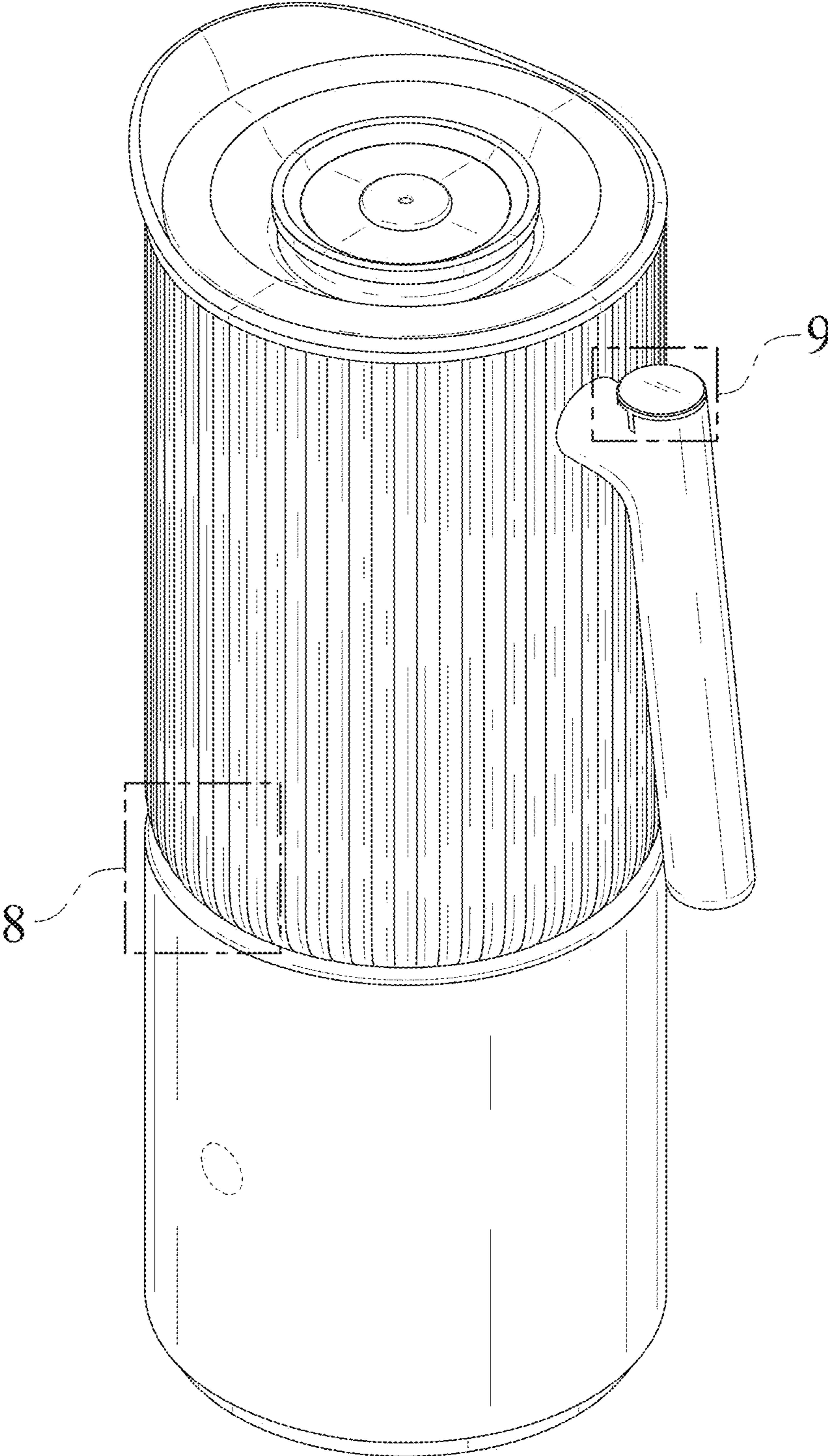


FIG. 2

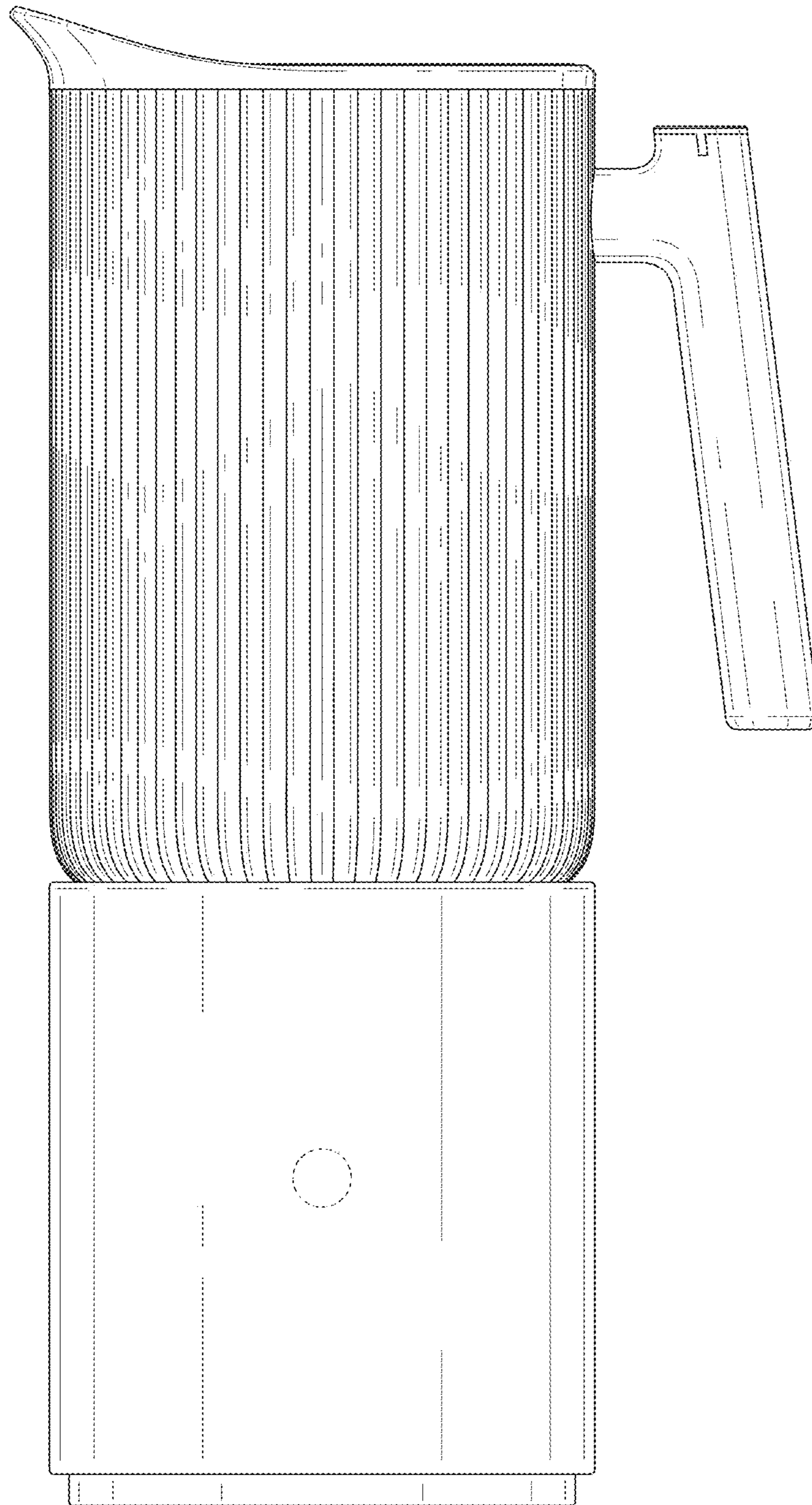


FIG. 3

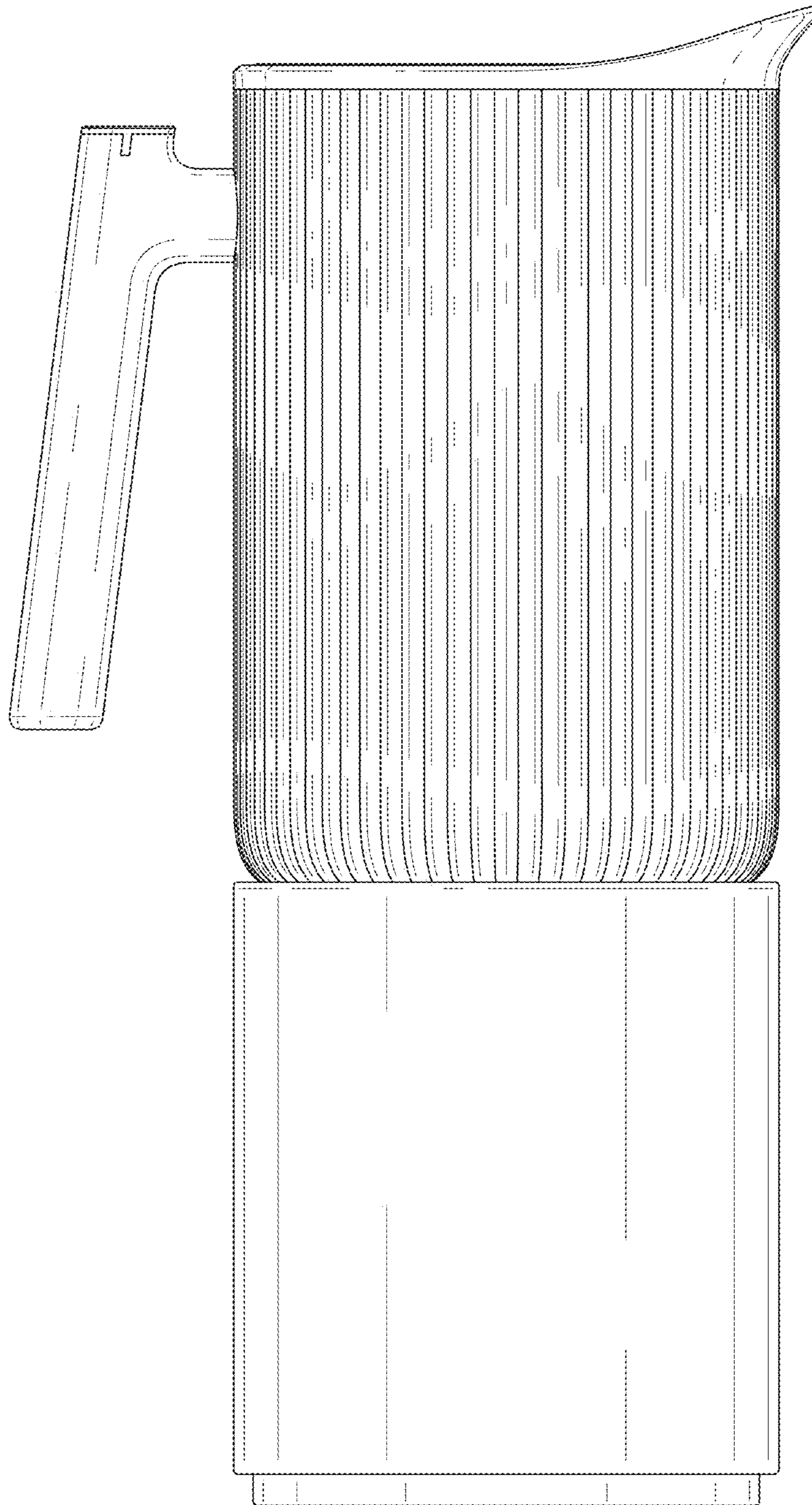


FIG. 4

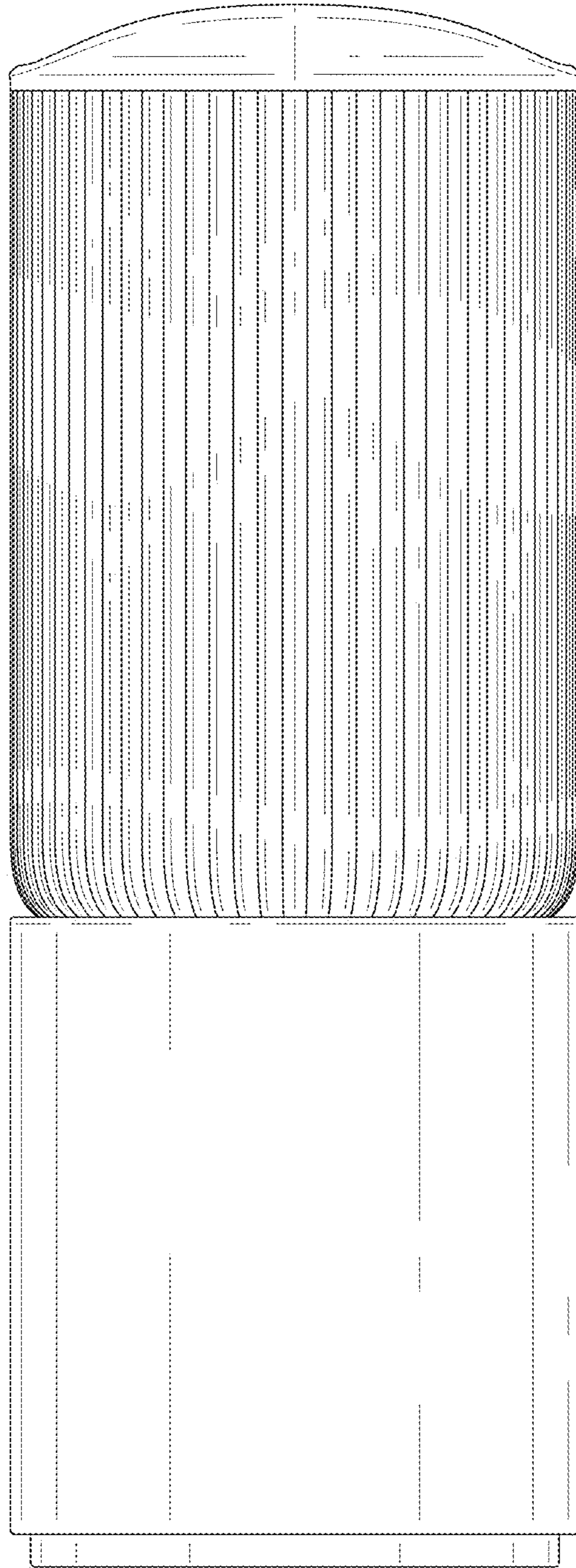


FIG. 5

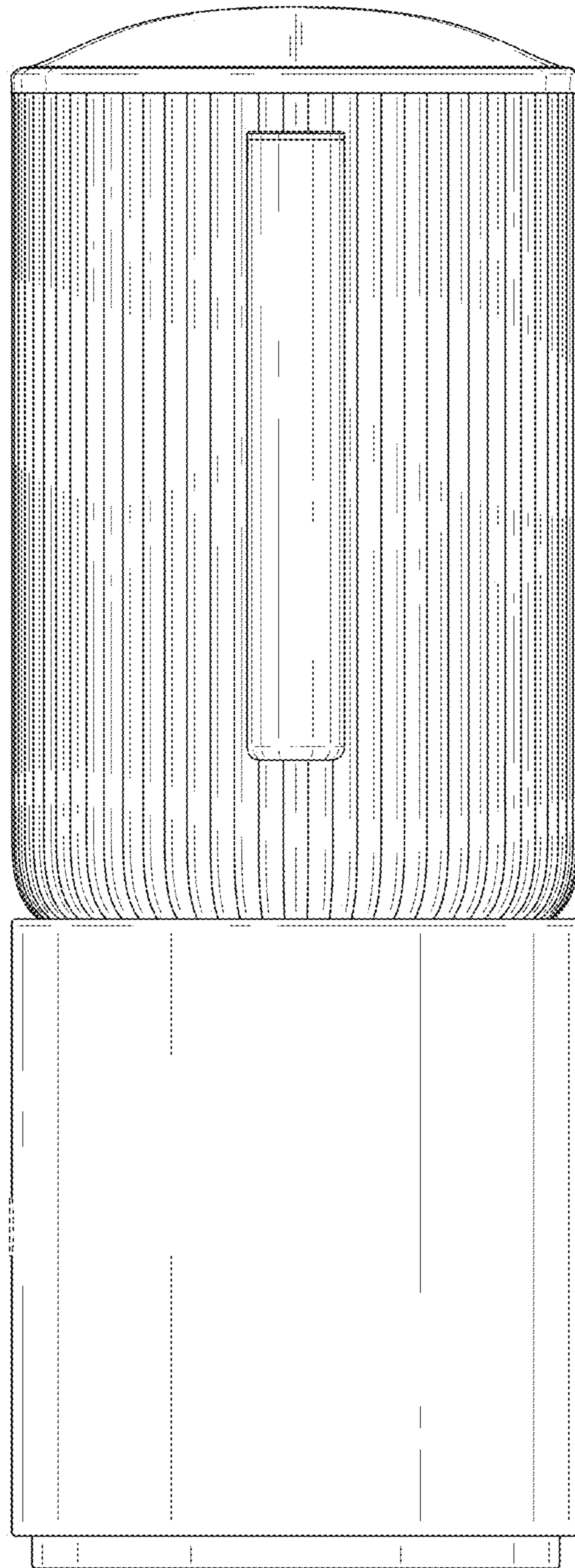


FIG. 6

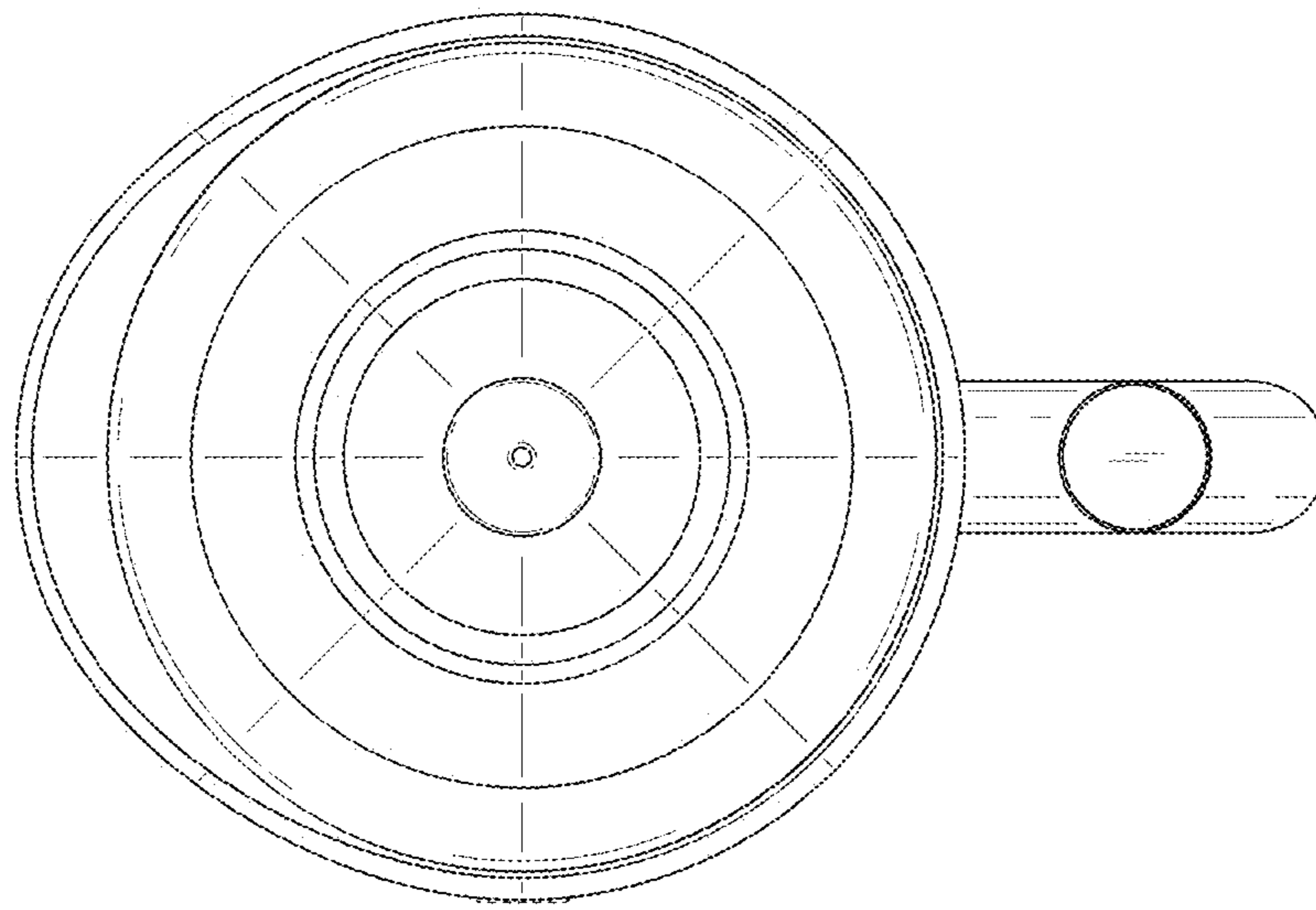


FIG. 7

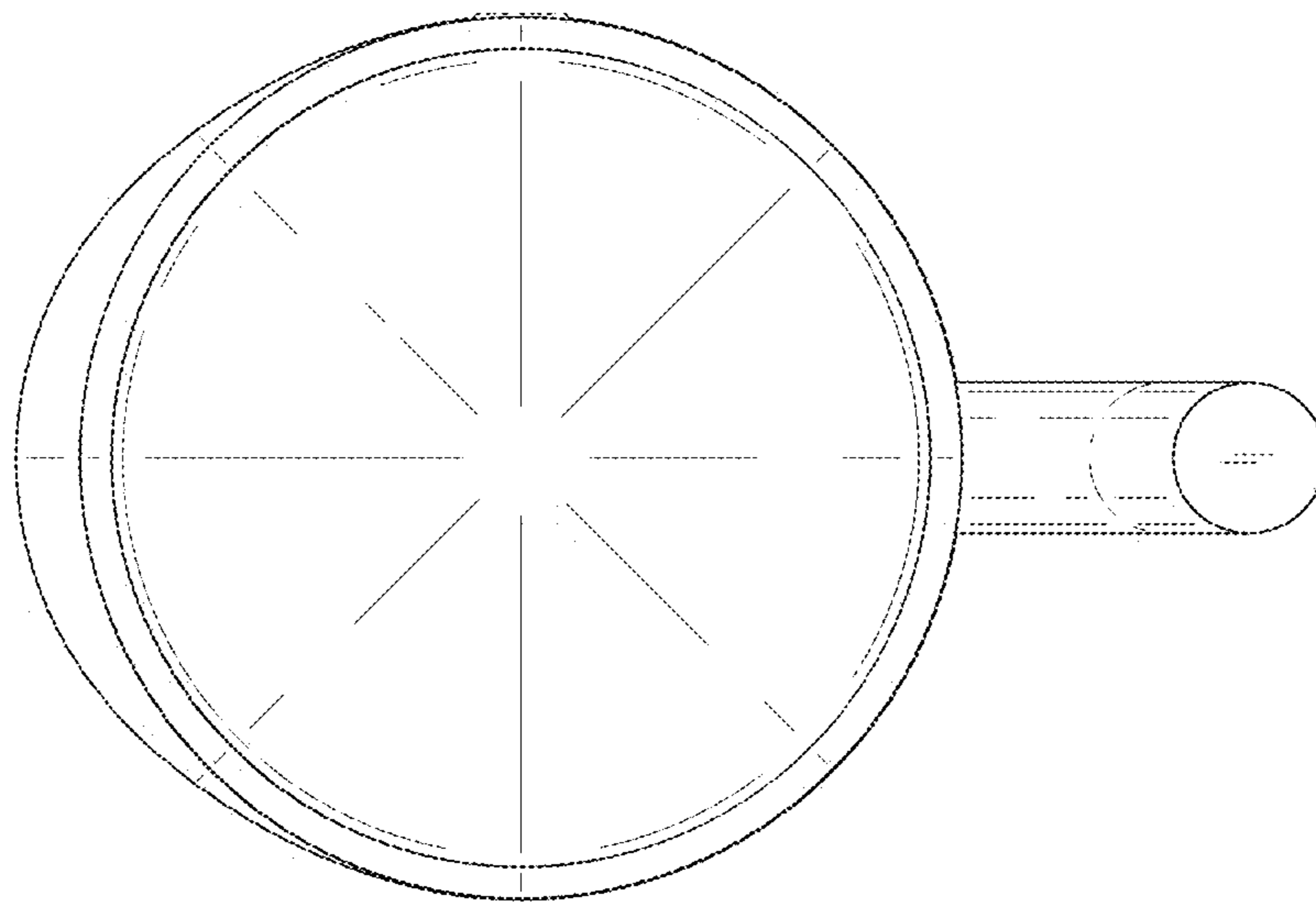


FIG. 8

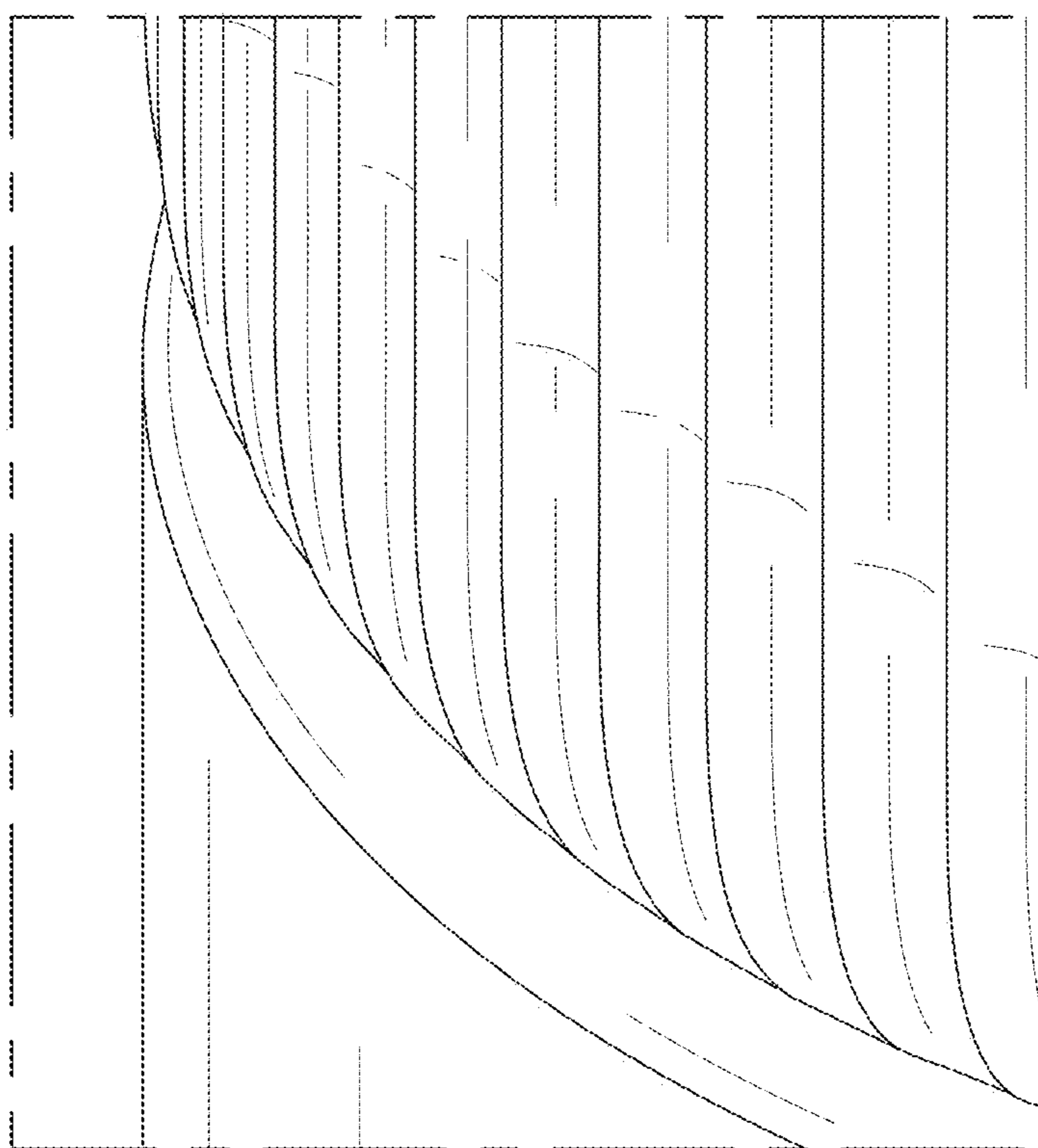


FIG. 9

