



US00D988065S

(12) **United States Design Patent** (10) **Patent No.:** **US D988,065 S**  
**Ye** (45) **Date of Patent:** **\*\* Jun. 6, 2023**

(54) **MILK FROTHER**

(71) Applicant: **Guangdong Willing Technology Corporation, Guangdong (CN)**

(72) Inventor: **Jingnong Ye, Huizhou (CN)**

(73) Assignee: **GUANGDONG WILLING TECHNOLOGY CORPORATION, Guangdong (CN)**

(\*\*) Term: **15 Years**

(21) Appl. No.: **29/795,910**

(22) Filed: **Jun. 21, 2021**

(51) **LOC (14) Cl.** ..... **31-00**

(52) **U.S. Cl.**  
USPC ..... **D7/377**

(58) **Field of Classification Search**  
USPC ..... D7/377, 509, 300, 317-319; D9/516; D21/524-525; D23/212  
CPC ..... A47J 27/21158; A47J 27/21058; A47J 27/2105; A47J 27/21066; A47J 27/21166; A47J 27/21091; A47J 27/21191; A47J 27/21016; A47J 45/068; H05B 1/0269  
See application file for complete search history.

(56) **References Cited**

**U.S. PATENT DOCUMENTS**

D367,580 S \* 3/1996 Joergensen ..... D7/317  
D545,111 S \* 6/2007 Brown ..... D7/317  
D554,425 S \* 11/2007 Schwamkrug ..... D7/317  
D680,792 S \* 4/2013 Bodum ..... D7/319  
D856,734 S \* 8/2019 Lee ..... D7/318  
D859,076 S \* 9/2019 Lee ..... D7/413  
D878,848 S \* 3/2020 Hu ..... D7/317  
D953,088 S \* 5/2022 Seo ..... D7/318

D972,357 S \* 12/2022 Lu ..... D7/318  
2019/0104880 A1 \* 4/2019 Ghalambor Dezfuli .....  
A47J 27/21166  
2020/0174086 A1 \* 6/2020 Jang ..... A47J 27/2105

**FOREIGN PATENT DOCUMENTS**

EM 008587224-0001 \* 6/2021

**OTHER PUBLICATIONS**

Itrusou Milk Frother and Steamer, 8-in-1 Electric milk frother, Automatic Hot and Cold Foam Maker for Coffee, Stainless Steel Milk Warmer Dishwasher Safe for Latte, Cappuccino (13.52oz/400ml, Black) first available Aug. 7, 2022, retrieved online from: <https://www.amazon.com/dp/B0B3TM2RFD/> on Jan. 3, 2023.\*

(Continued)

*Primary Examiner* — Shannon W Morgan

*Assistant Examiner* — Terilyn Nicole Davis

(74) *Attorney, Agent, or Firm* — Leong C. Lei

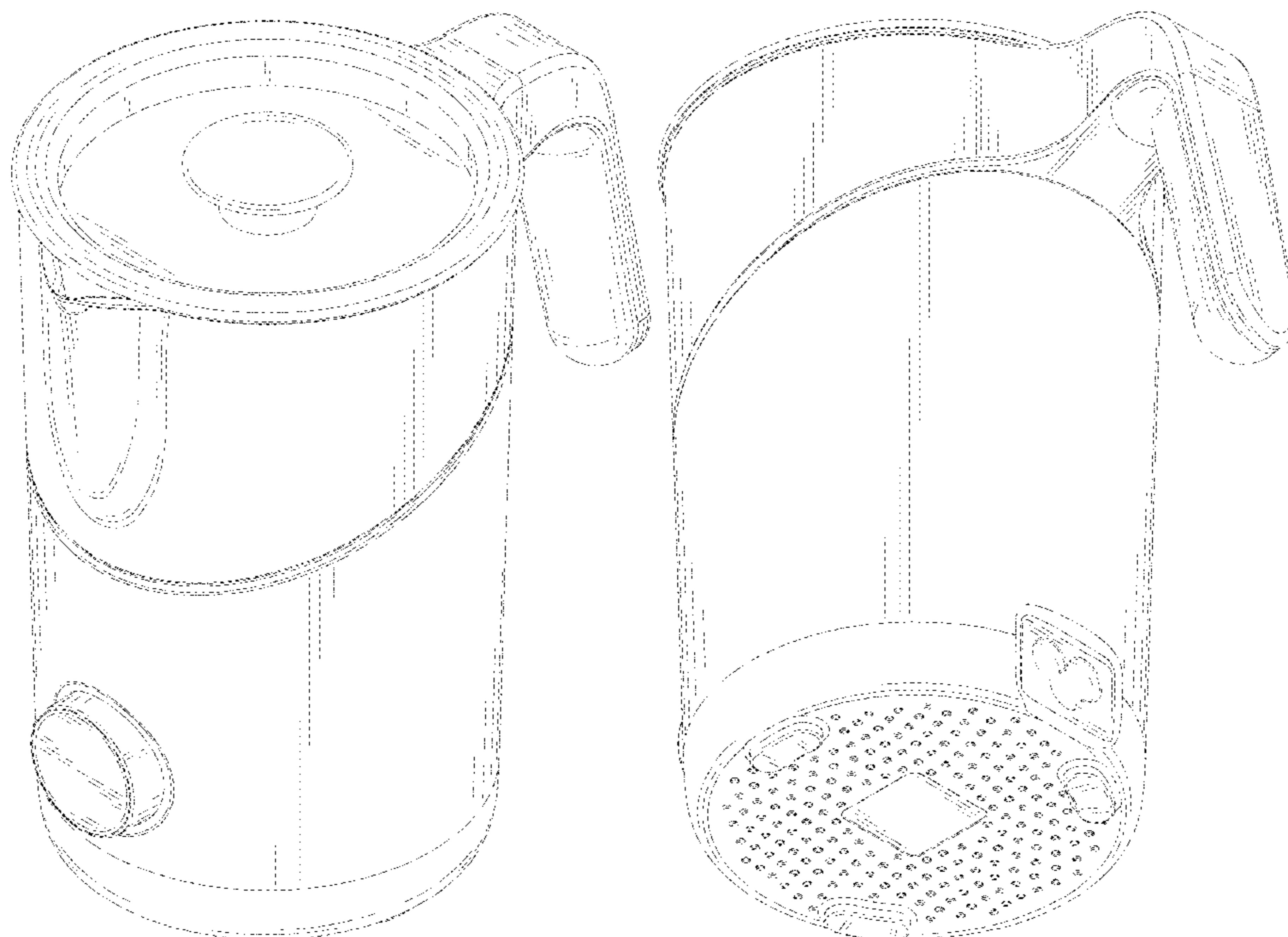
(57) **CLAIM**

The ornamental design for a milk frother, as shown and described.

**DESCRIPTION**

FIG. 1 is a perspective view of a milk frother showing my new design;  
FIG. 2 is a front elevational view thereof;  
FIG. 3 is a rear elevational view thereof;  
FIG. 4 is a left side elevational view thereof;  
FIG. 5 is a right side elevational view thereof;  
FIG. 6 is a top plan view thereof;  
FIG. 7 is a bottom plan view thereof; and,  
FIG. 8 is another perspective view thereof.  
The portions shown in broken lines form no part of the claimed design.

**1 Claim, 8 Drawing Sheets**



(56)

**References Cited**

OTHER PUBLICATIONS

Milk Frother, Venzell 4-in-1 Electric Milk Frother and Steamer, 13.52oz Milk Warmer, Auto Hot & Cold Milk Foamer, Stainless Steel Hot Chocolate, Frother for Coffee, first available Jul. 21, 2022. Retrieved online from: <https://www.amazon.com/Electric-Stainless-Chocolate-Dishwasher-Cappuccino/dp/B0B7726FQ1> on Dec. 29, 2022.\*

Tosfly Electric Milk Frother—4 in 1 Automatic Milk Foamer Hot & Cold Froth for Latte Cappuccino Coffee Foam Maker 400 ml/14.08 oz Chocolate Milk Steamer Heater, first available Aug. 17, 2022, retrieved online from: <https://www.amazon.ca/Tosfly-Electric-Milk-Frother-Cappuccino/dp/B0B9XDGRP> on Dec. 29, 2022.\*

\* cited by examiner

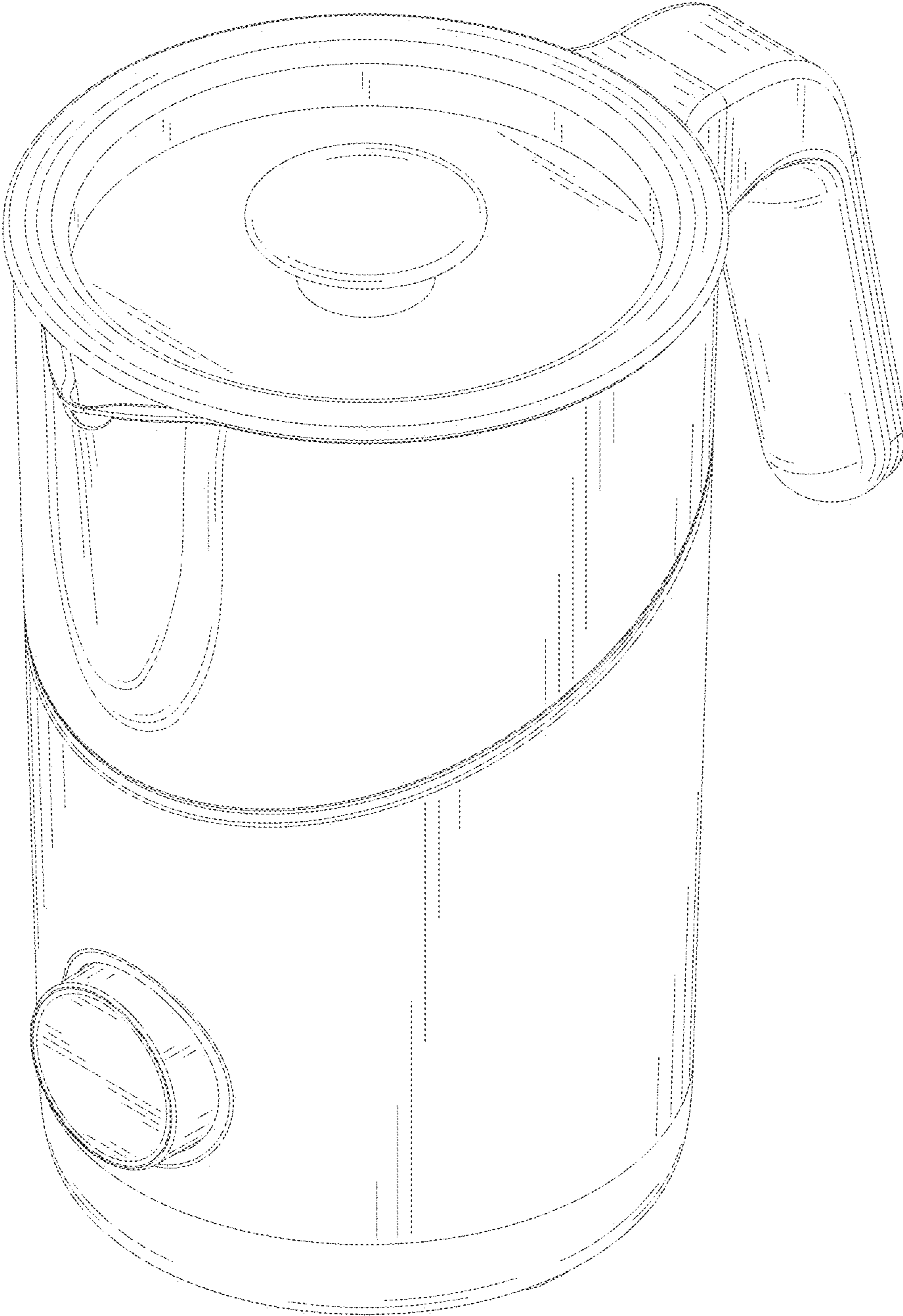


FIG. 1

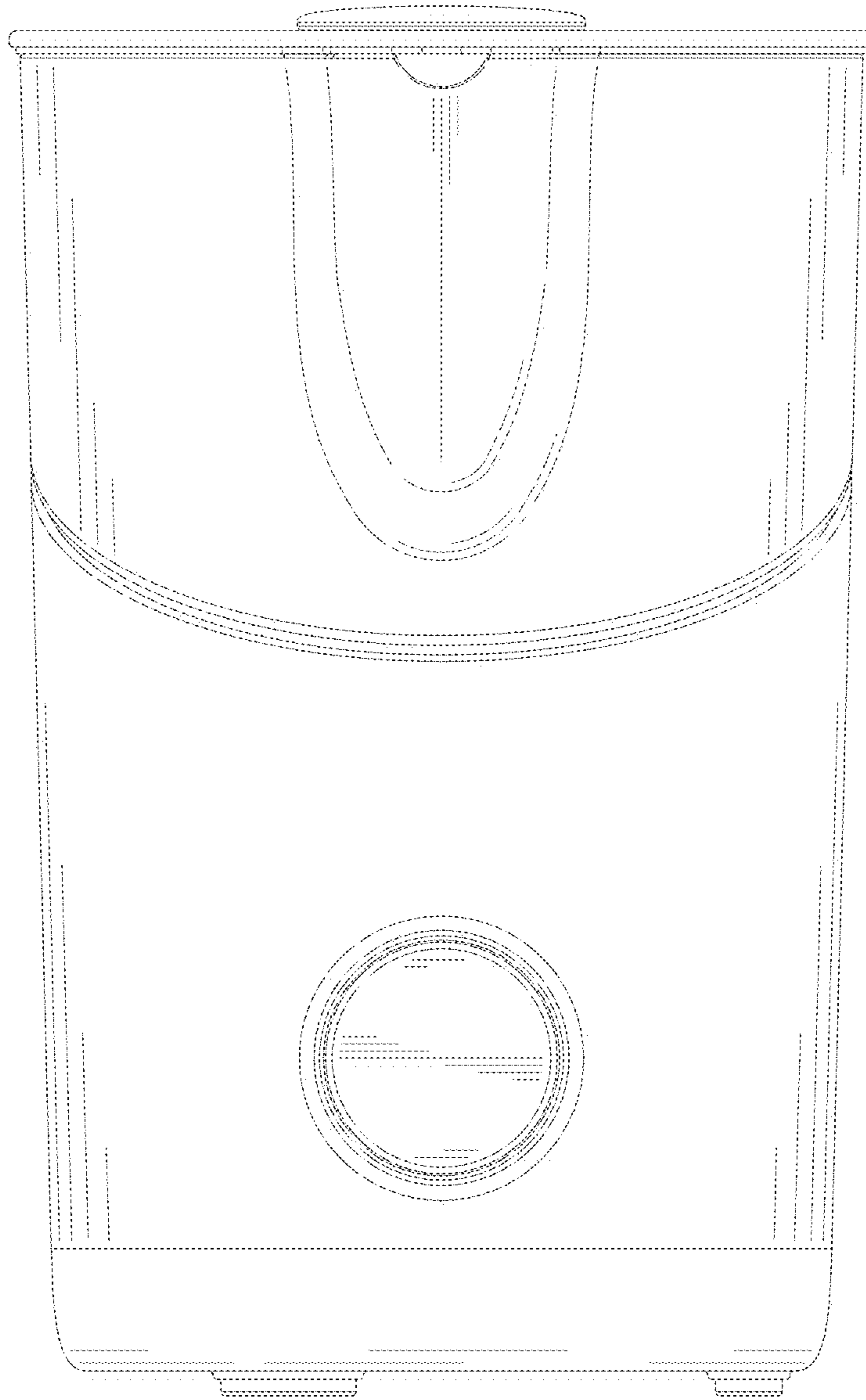


FIG. 2

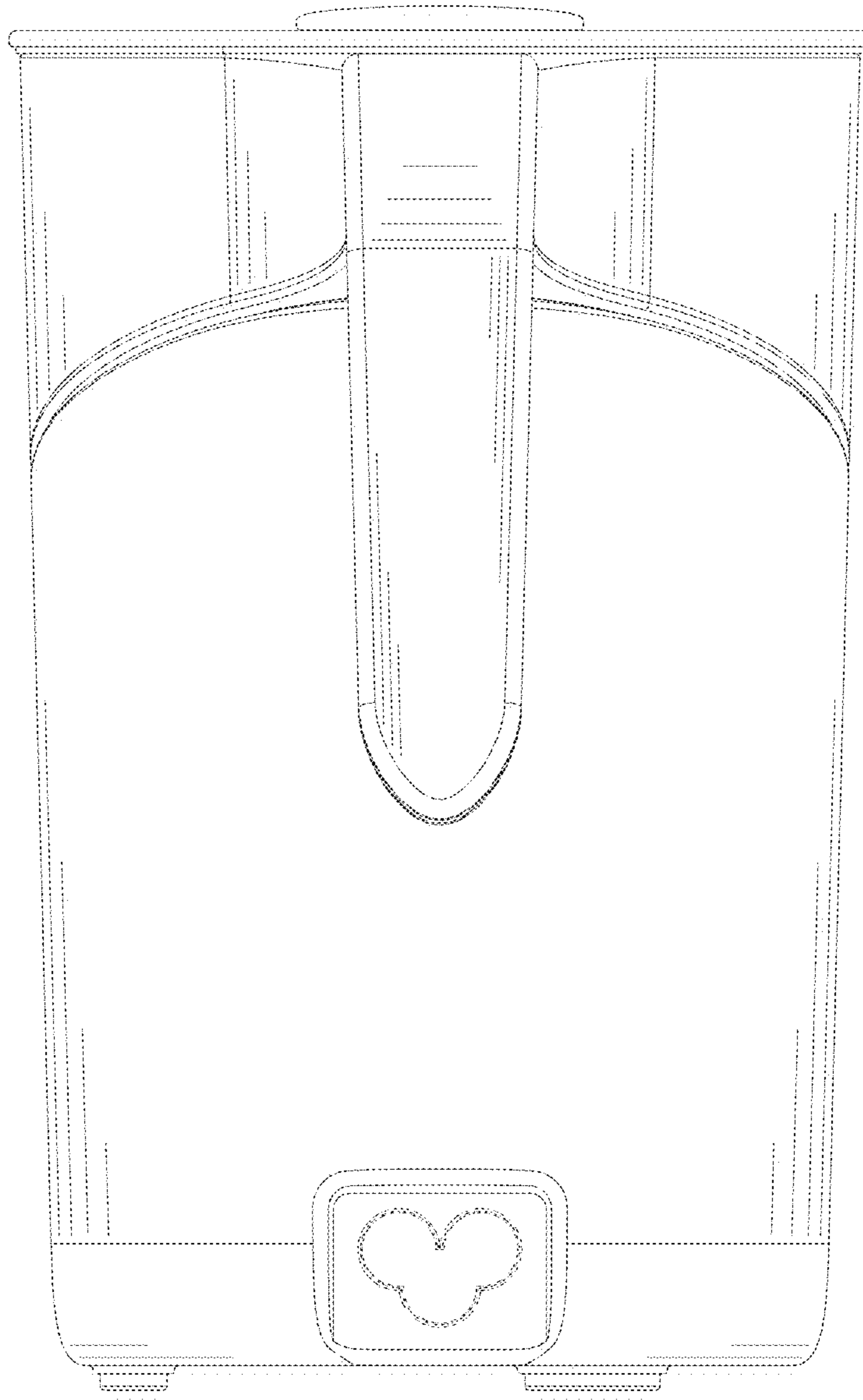


FIG. 3

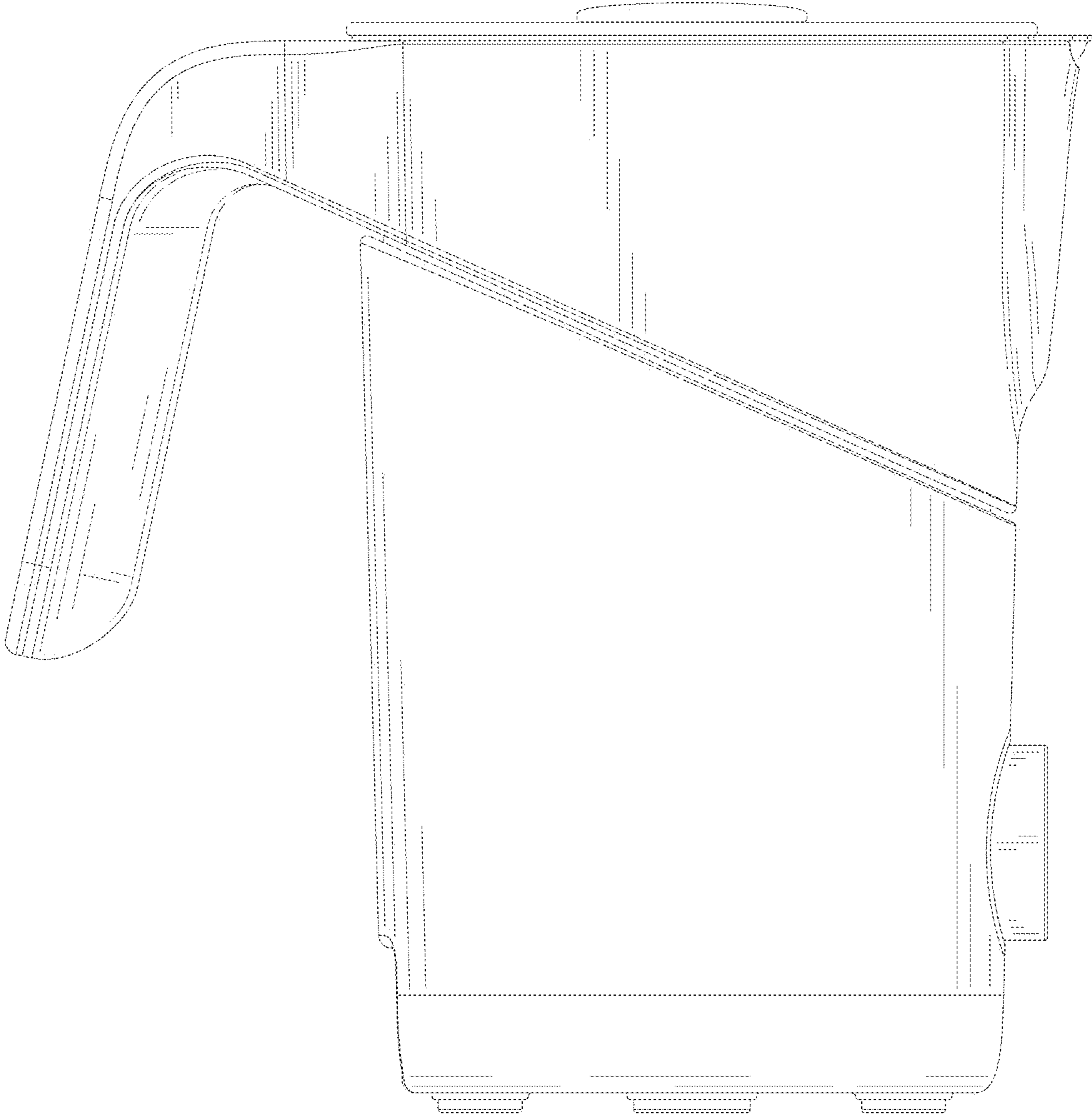


FIG. 4

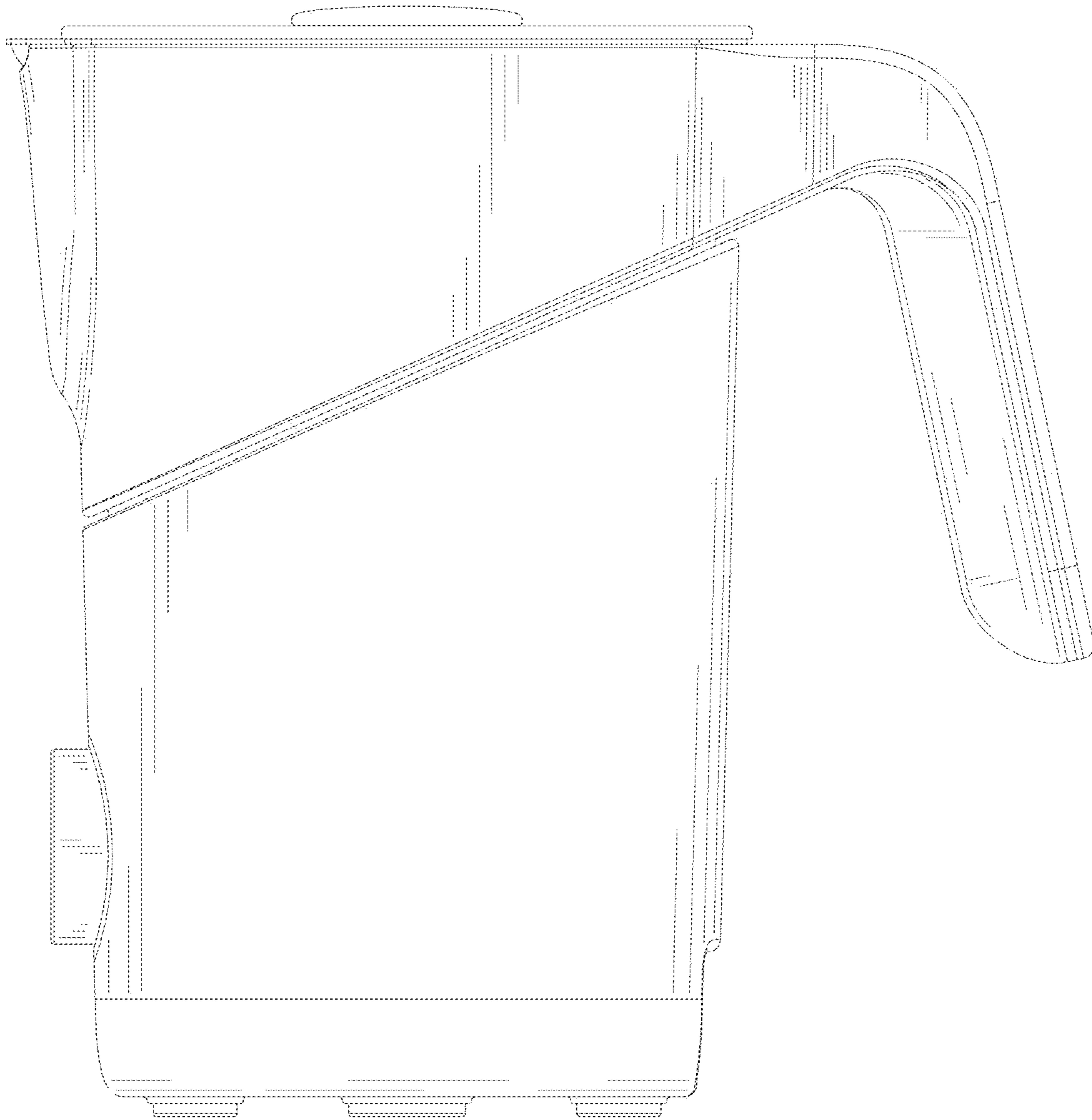


FIG. 5

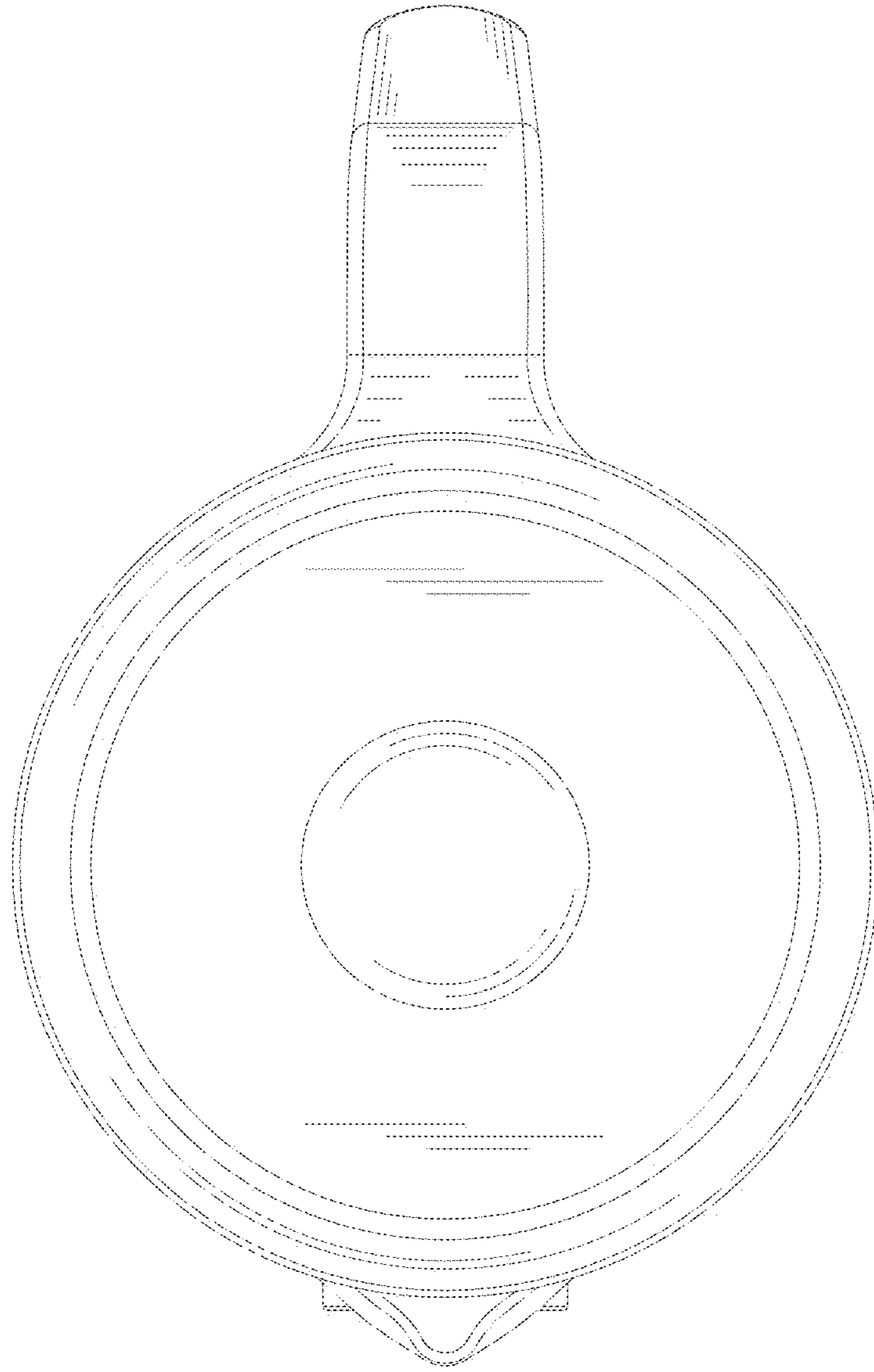


FIG. 6



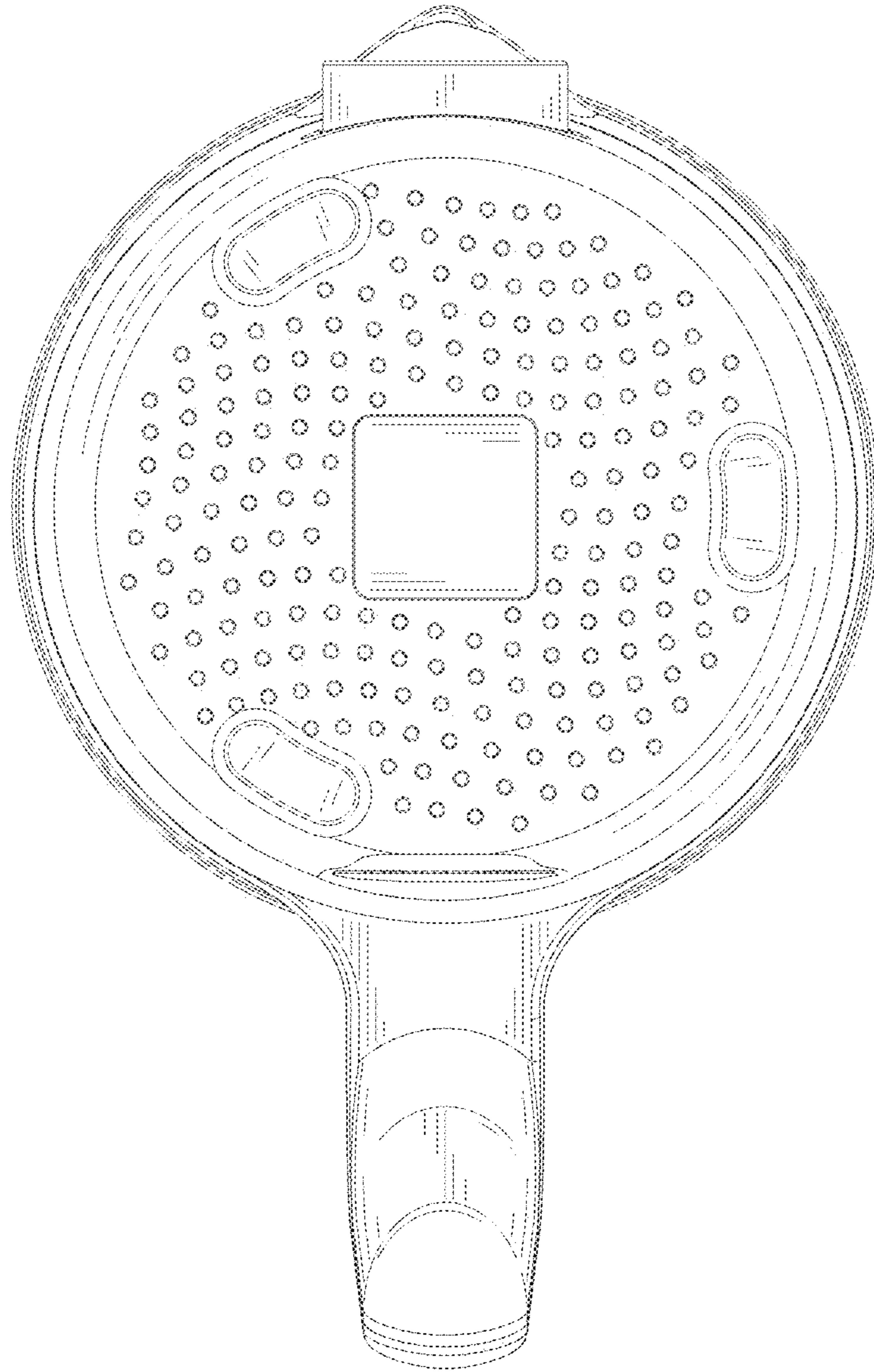


FIG. 7

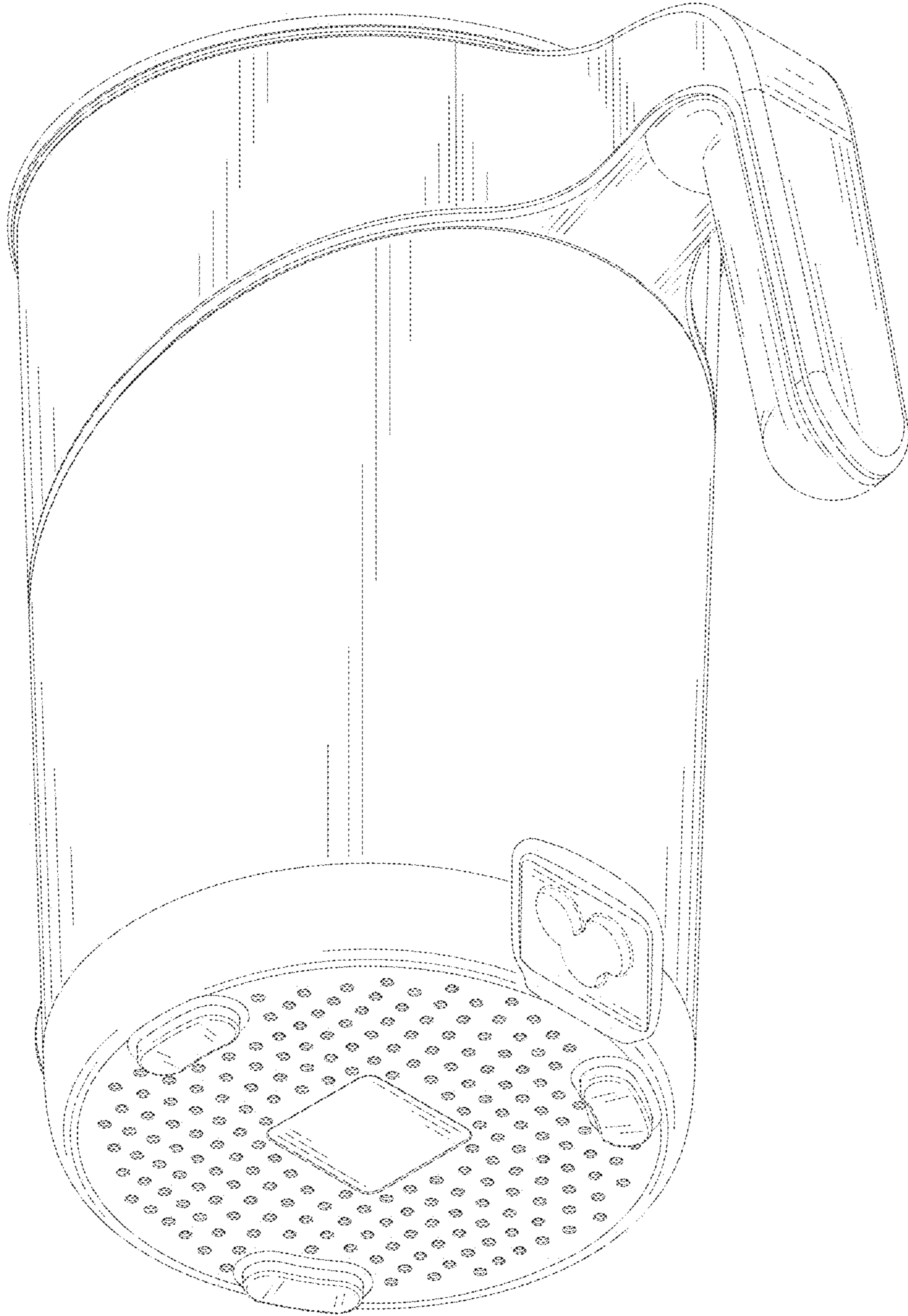


FIG. 8