



US00D988064S

(12) **United States Design Patent** (10) **Patent No.:** **US D988,064 S**
Dalton (45) **Date of Patent:** **** Jun. 6, 2023**

(54) **MIXING BALL**

(71) Applicant: **Sun Coast Merchandise Corp.**,
Commerce, CA (US)

(72) Inventor: **Peter Dalton**, Los Angeles, CA (US)

(73) Assignee: **Sun Coast Merchandise Corp.**,
Commerce, CA (US)

(**) Term: **15 Years**

(21) Appl. No.: **29/778,426**

(22) Filed: **Apr. 13, 2021**

(51) **LOC (14) Cl.** **31-00**

(52) **U.S. Cl.**
USPC **D7/376**

(58) **Field of Classification Search**
USPC D7/318, 303, 309, 321, 358, 369, 370,
D7/371, 372, 373, 376, 377, 378, 379,
D7/380, 381, 383, 384, 385, 386, 391,
D7/396, 398, 412, 413, 414, 415, 586,
D7/665, 669, 673, 676, 679, 693, 694,
D7/695, 700, 368, 397; D30/160;
D21/707, 713

CPC A47J 36/2483; A47J 31/061; A47J 17/02;
A47J 19/00; A47J 19/02; A47J 16/023;
A47J 19/025; A47J 19/027; A47J 27/06;
A47J 27/08; A47J 27/0804; A47J
27/0808; A47J 27/0815; A47J 27/21;
A47J 27/212; A47J 27/56; A47J 27/57;
A47J 27/575; A47J 36/10; A47J 31/40;
A47J 31/42; A47J 31/4482; A47J
31/4485; A47J 31/4489; A47J 31/4496;
A47J 31/46; A47J 31/407; A47J 31/50;
A47J 31/18; A47J 31/00; A47J 42/02;
A47J 42/04; A47J 42/06; A47J 42/12;
A47J 42/14; A47J 42/16; A47J 42/50;
A47J 42/30; A47J 43/00; A47J

(Continued)

(56) **References Cited**

U.S. PATENT DOCUMENTS

D660,384 S * 5/2012 Saber D21/707
D701,583 S * 3/2014 Wade D21/707

(Continued)

FOREIGN PATENT DOCUMENTS

CN 304545299 * 3/2018
CN 307241449 * 4/2022

OTHER PUBLICATIONS

Plastic Blending Mixing Ball, posted Oct. 28, 2017 [online], [retrieved
Jan. 3, 2022]. Retrieved from internet, [https://www.amazon.com/
Powerful-Mixing-Balls-Perfect-Bottles/dp/B075JRPYT3](https://www.amazon.com/Powerful-Mixing-Balls-Perfect-Bottles/dp/B075JRPYT3) (Year: 2017).*

(Continued)

Primary Examiner — Nicole C Shiflet
Assistant Examiner — Yen Le Southwood
(74) *Attorney, Agent, or Firm* — Steven E. Shapiro

(57) **CLAIM**

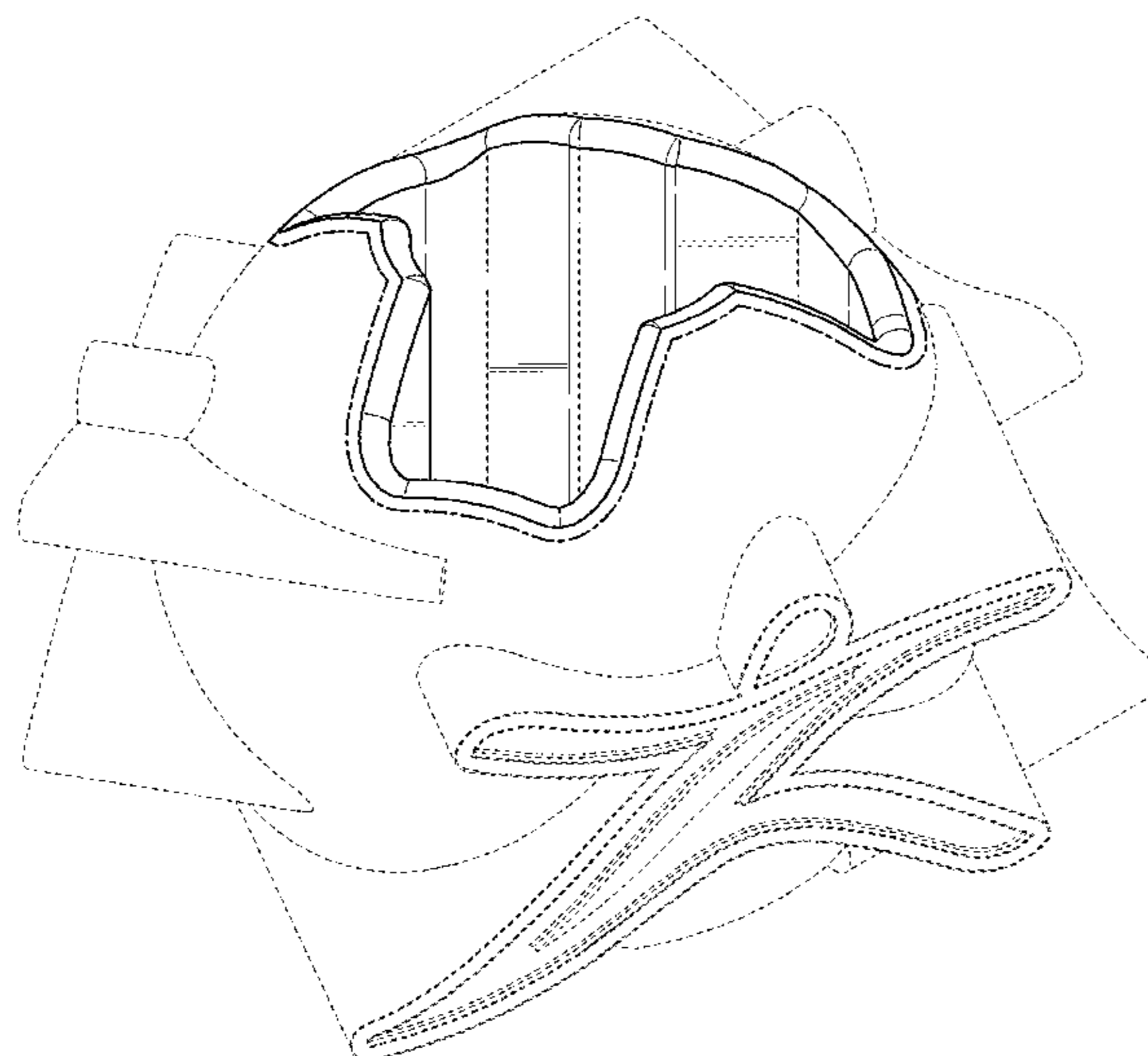
The ornamental design for a mixing ball, as shown and
described.

DESCRIPTION

FIG. 1 is a front, left perspective view of a mixing ball;
FIG. 2 is a bottom, left perspective view of the mixing ball;
FIG. 3 is a top, right perspective view of the mixing ball;
FIG. 4 is a front plan view of the mixing ball;
FIG. 5 is a rear plan view of the mixing ball;
FIG. 6 is a left side plan view of the mixing ball;
FIG. 7 is a right side plan view of the mixing ball;
FIG. 8 is a top plan view of the mixing ball; and,
FIG. 9 is a bottom plan view of the mixing ball.

The dash-dash lines in the drawings depict portions of the
mixing ball that form no part of the claimed design. The
dot-dash-dot lines depict the boundaries of the claimed
design and form no part thereof.

1 Claim, 9 Drawing Sheets



(58) **Field of Classification Search**

CPC 43/04; A47J 43/042; A47J 43/044; A47J
43/046; A47J 43/12; A47J 43/25; A47J
43/255; A47J 43/07; A47J 43/0727; A47J
43/0711; A47J 43/0722; A47J 43/1087;
A47J 43/1093; A47J 43/121; A47J
43/122; A47J 43/0716; A47J 2043/04409;
A47J 2043/04418; A47J 2043/04427;
A47J 2043/04454; A47J 2043/04481;
A47J 44/00; A47J 2031/0694; A47J
43/27; A21C 1/02; A01J 11/04

See application file for complete search history.

(56) **References Cited**

U.S. PATENT DOCUMENTS

D707,303 S * 6/2014 Saber D21/707
D776,478 S * 1/2017 Steel D7/376

D782,586 S * 3/2017 Wills D21/707
D782,753 S * 3/2017 Eisenbarth D21/713
D782,874 S * 4/2017 Ross D7/378
D795,004 S * 8/2017 Steel D7/376
D848,683 S * 5/2019 Pinto D30/160
D860,549 S * 9/2019 Qiu D30/160
D863,475 S * 10/2019 Smith D21/713
D875,330 S * 2/2020 Vierbergen D30/160
D893,116 S * 8/2020 Wang D30/160
D967,671 S * 10/2022 Grill

OTHER PUBLICATIONS

Nutribomb Thunderballs Mixing Balls, posted Jan. 10, 2020 [online],
[retrieved Jan. 3, 2022]. Retrieved from internet, <https://www.amazon.in/Nutribomb-Thunderballs-Mixing-Protein-Shaker/dp/B07NPWQNXB> (Year: 2020).*

* cited by examiner

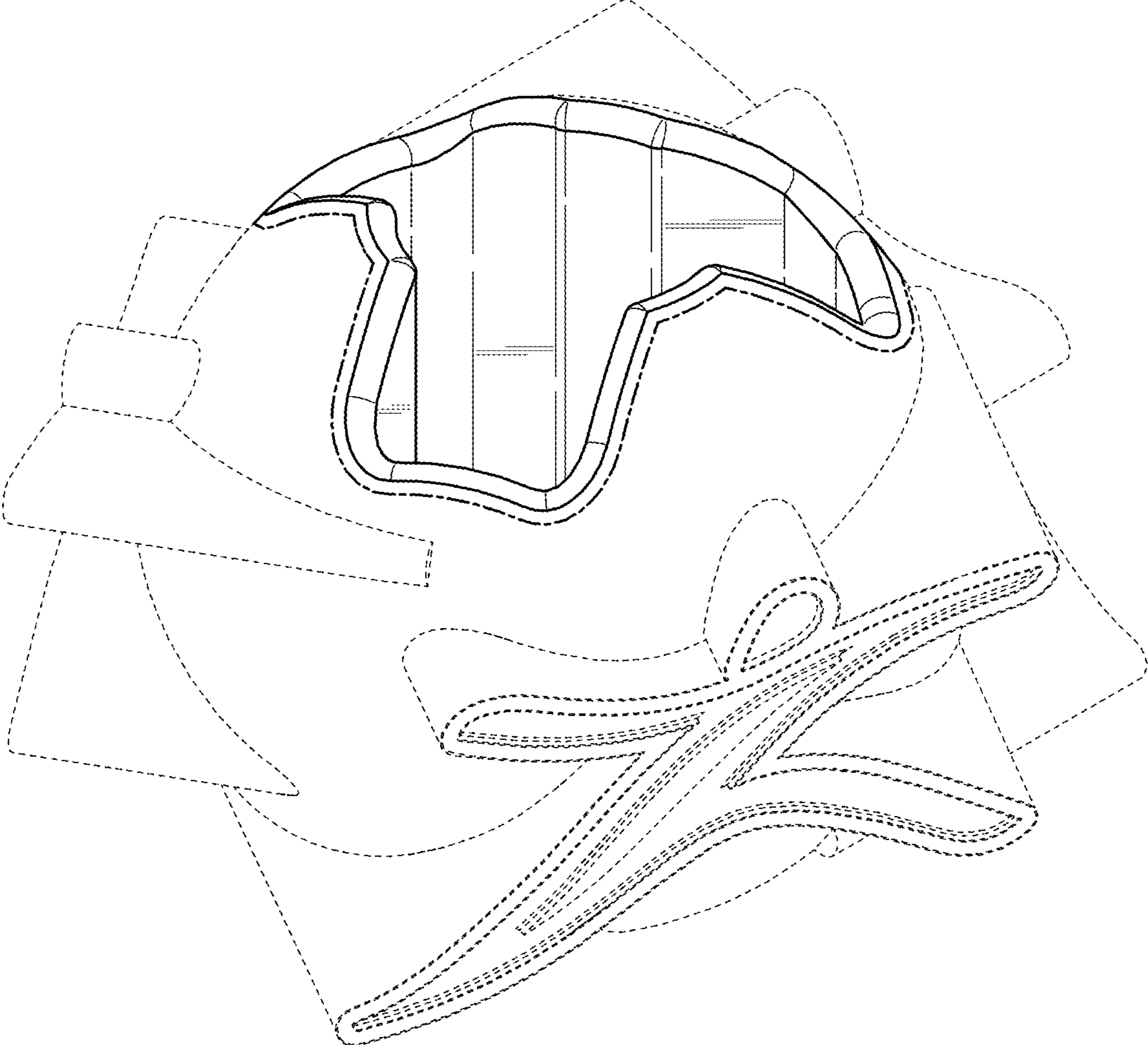


FIG. 1

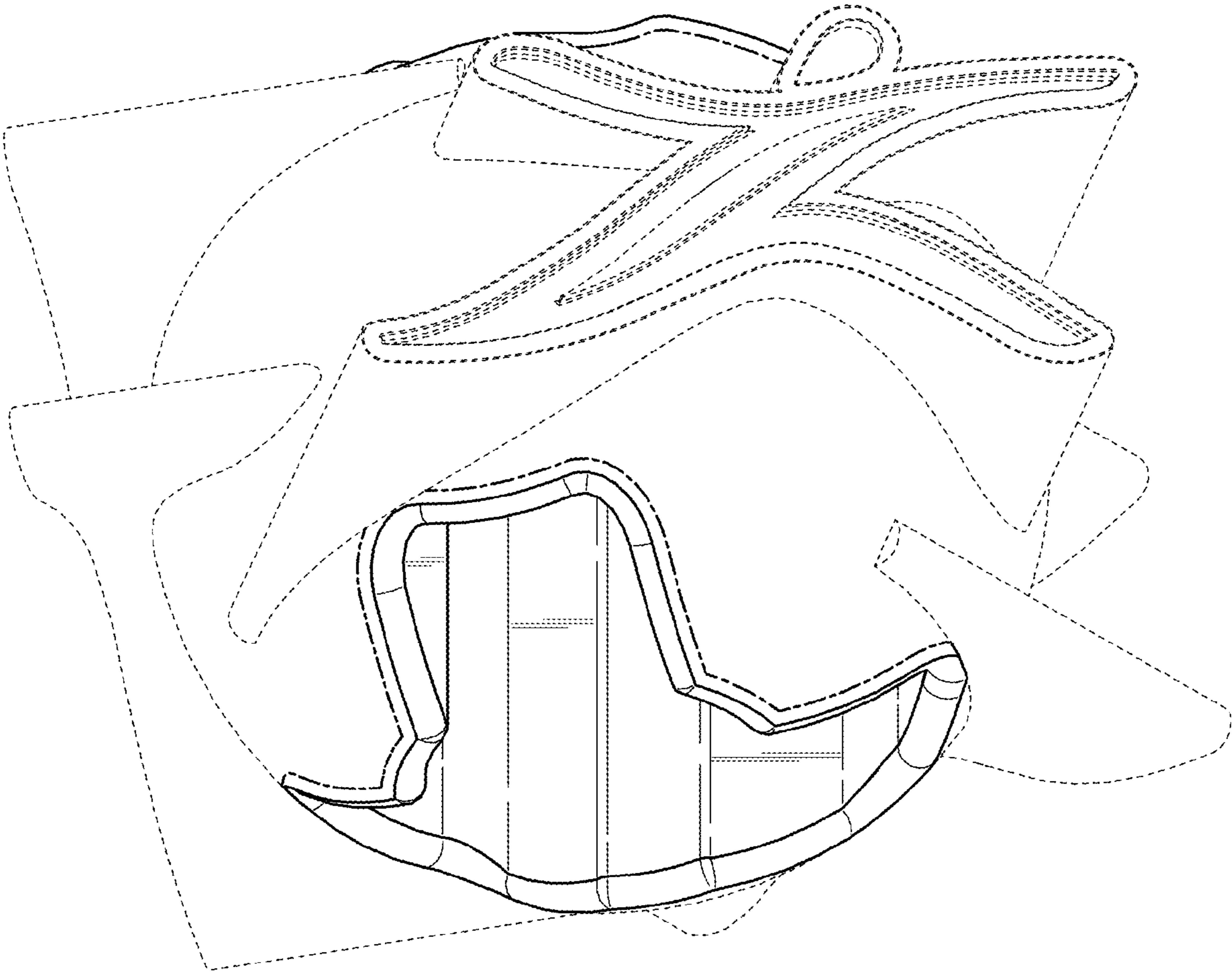


FIG. 2

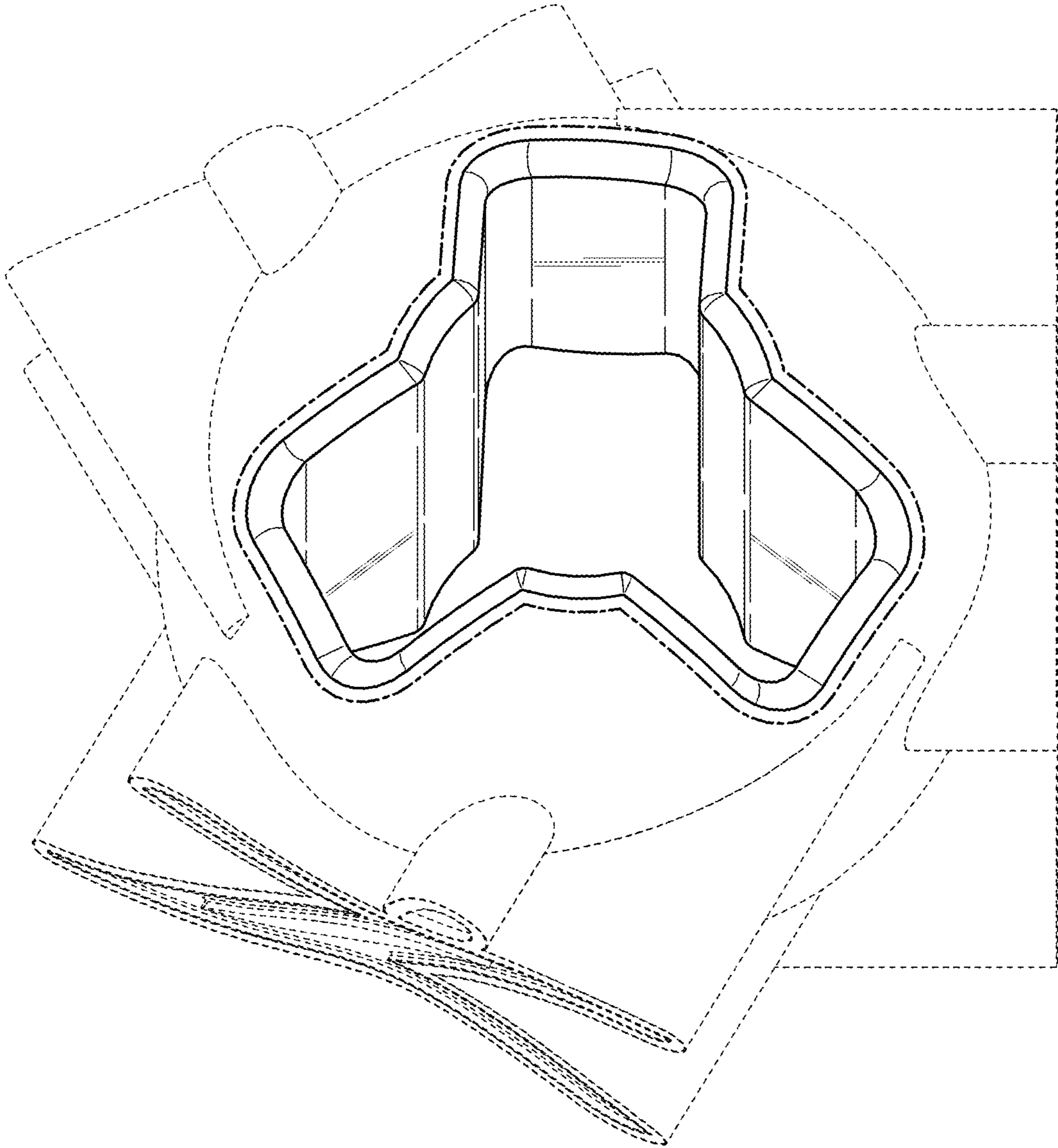


FIG. 3

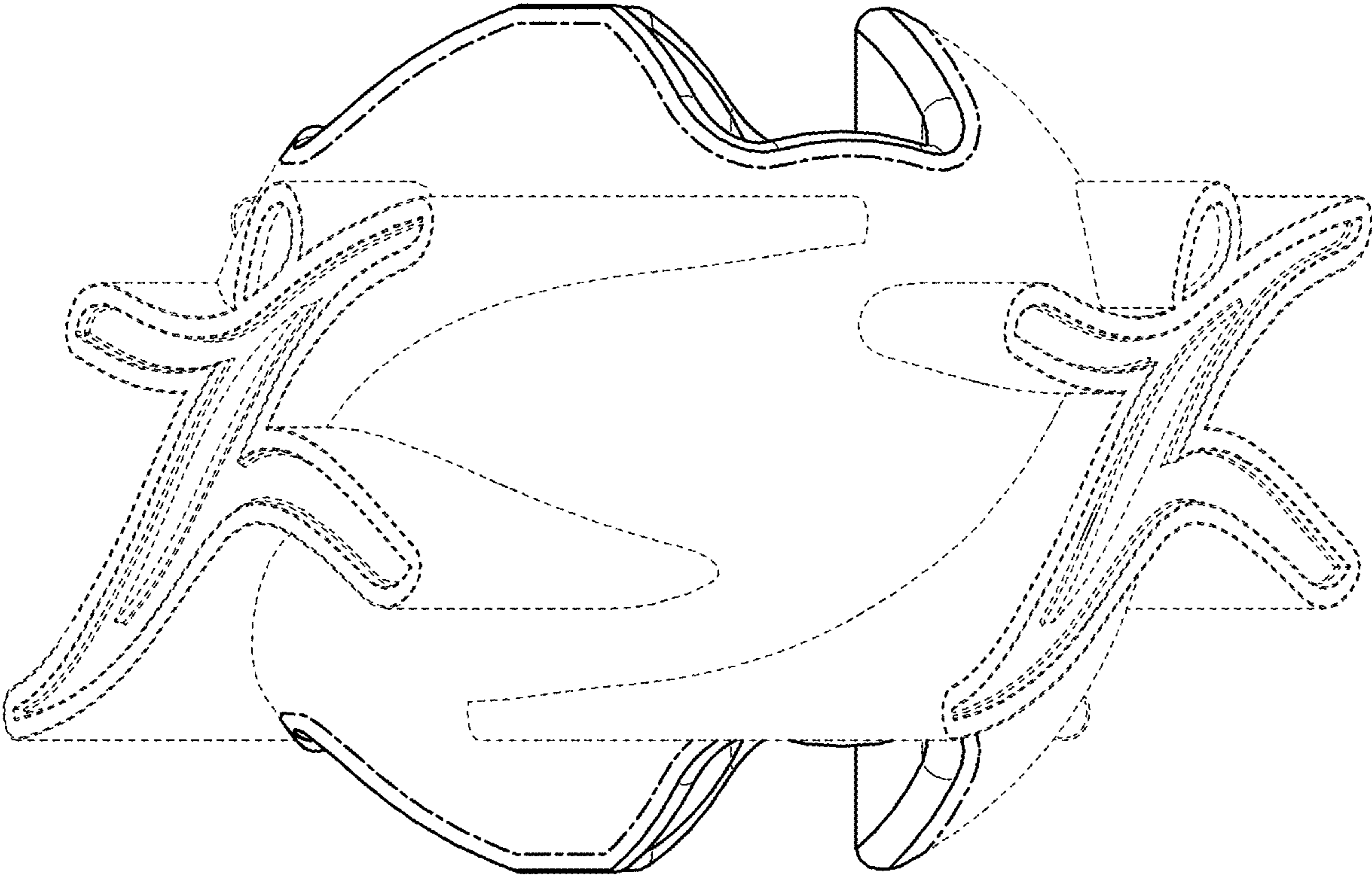


FIG. 4

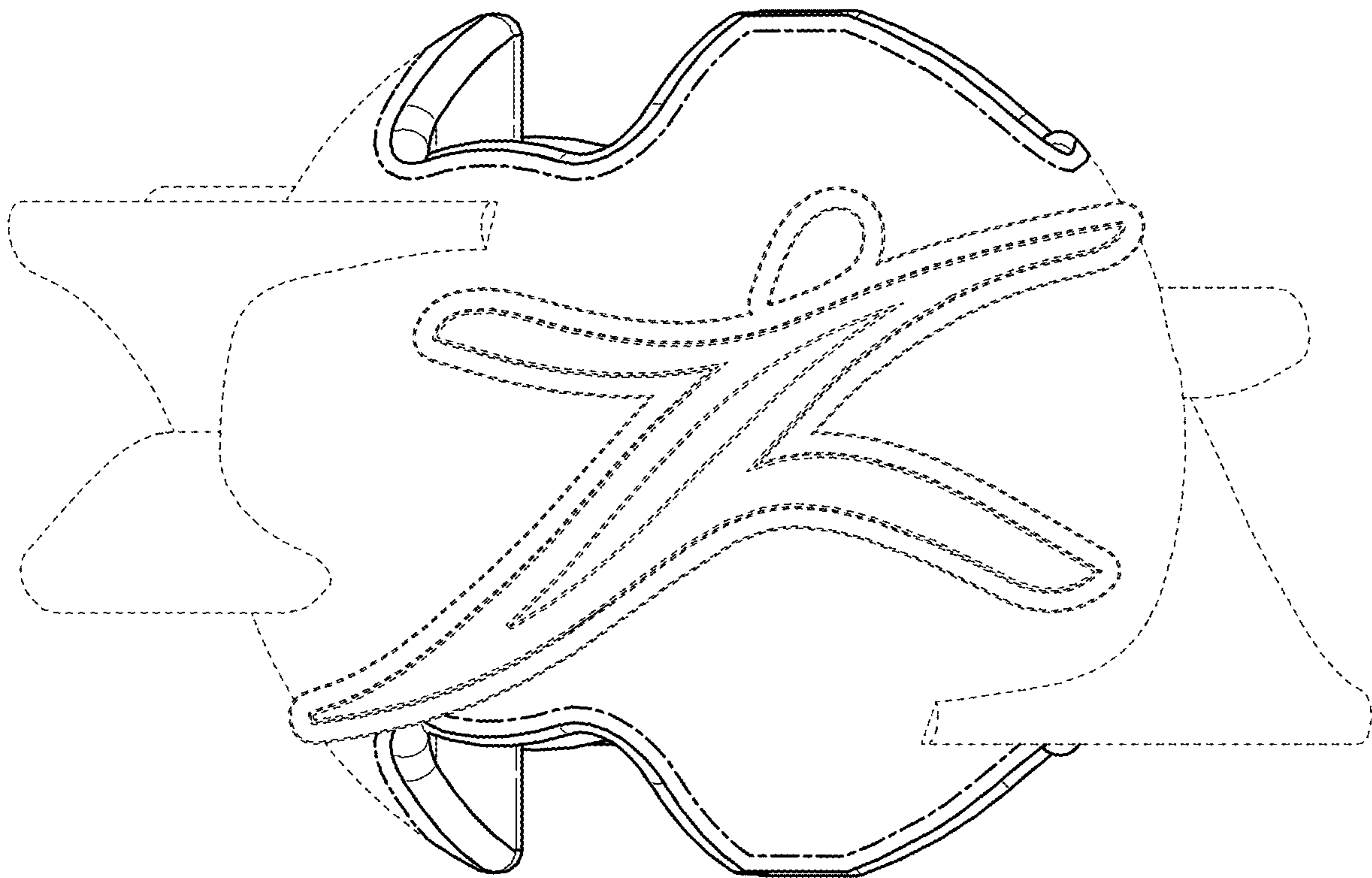


FIG. 5

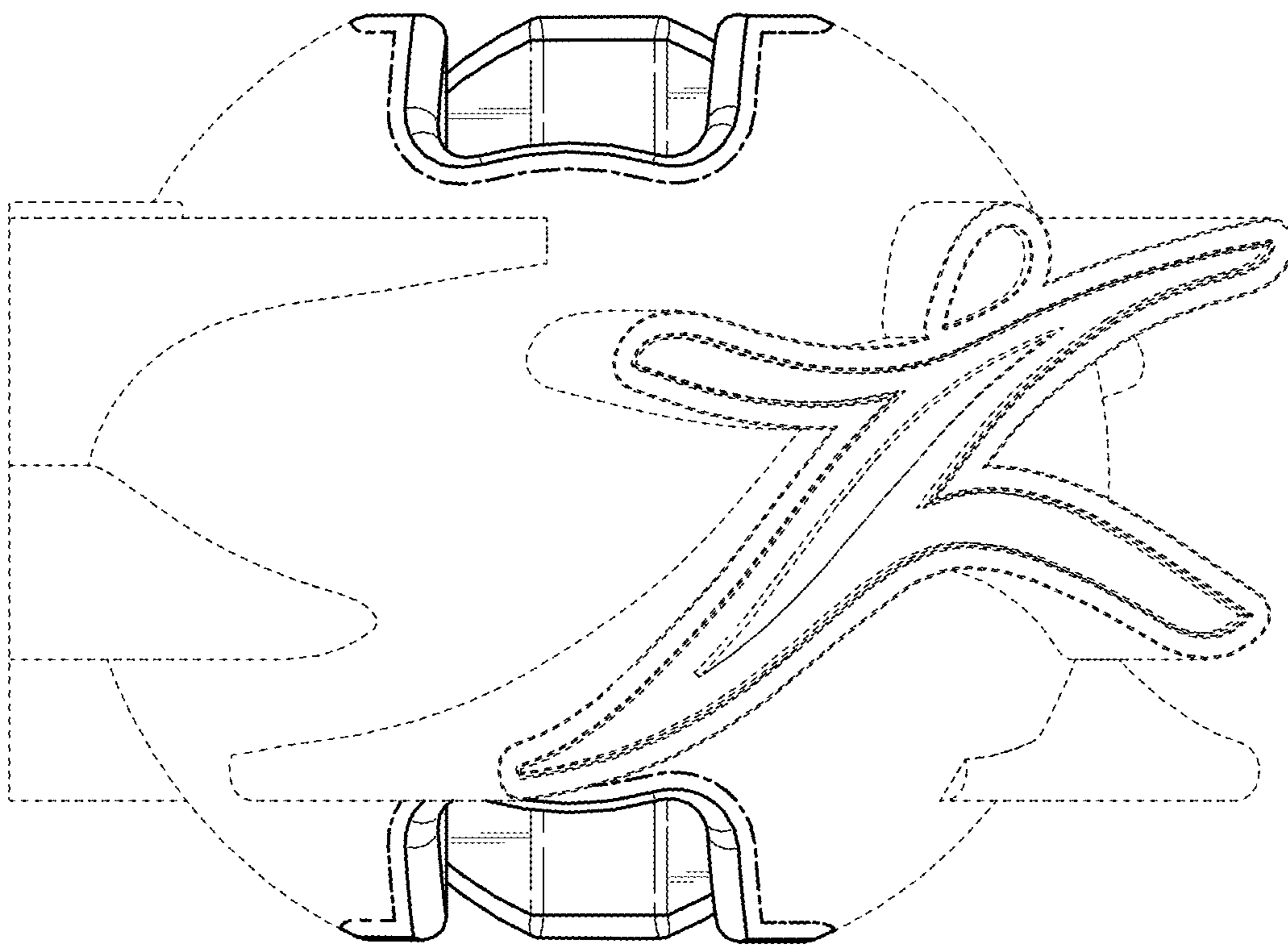


FIG. 6

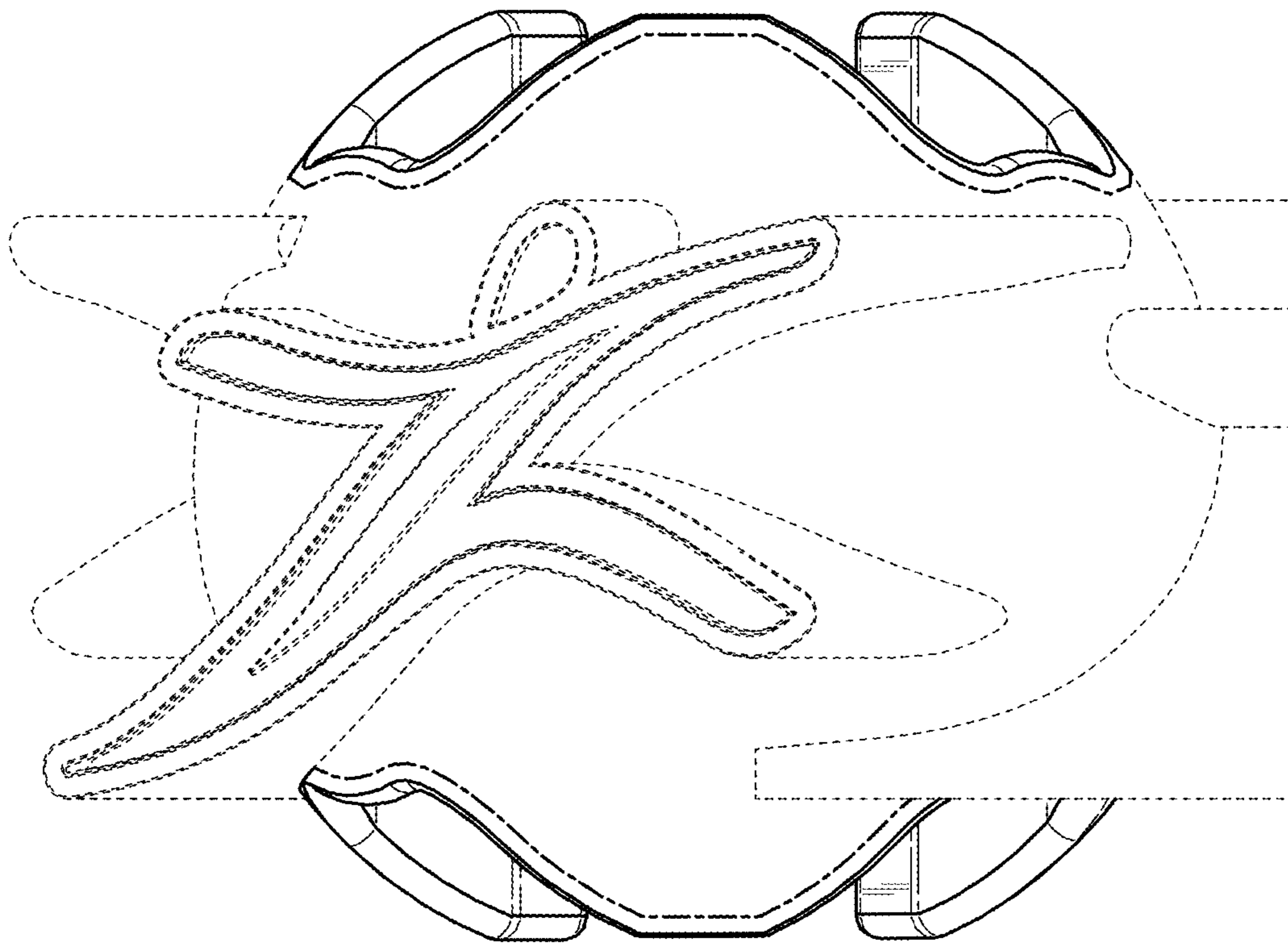


FIG. 7

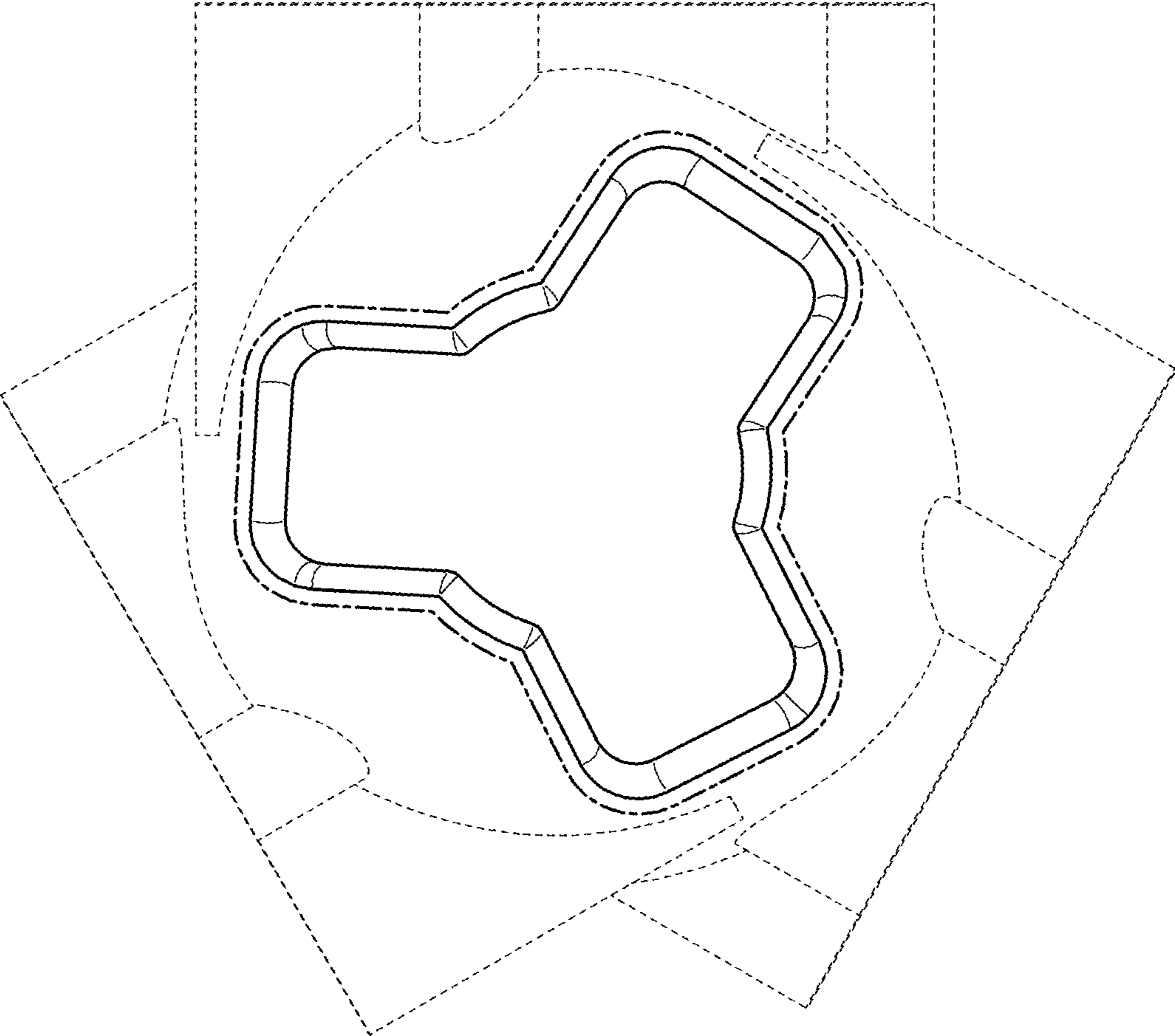


FIG. 8

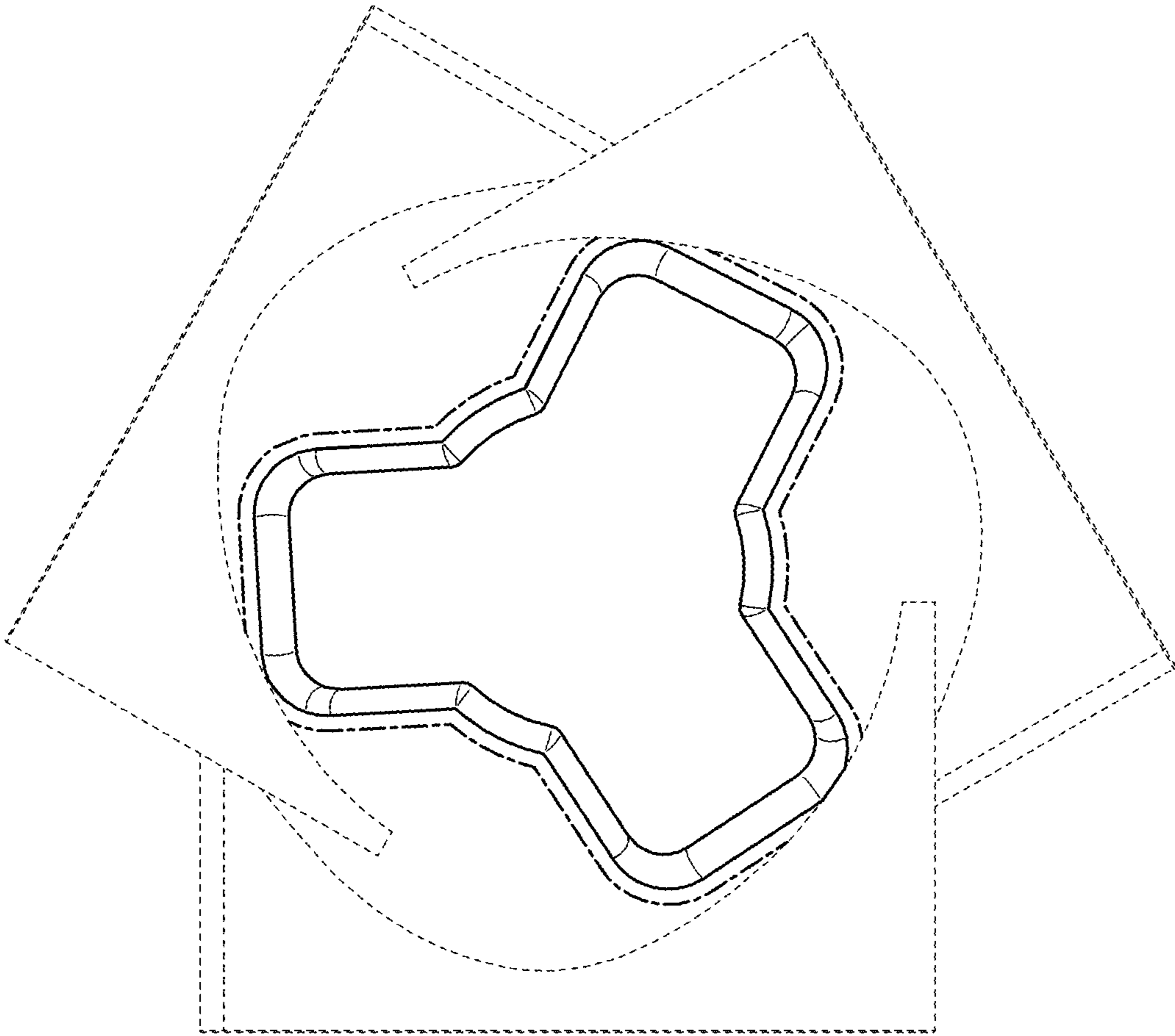


FIG. 9