



US00D988059S

(12) **United States Design Patent**  
**Kong et al.**

(10) **Patent No.:** **US D988,059 S**  
(45) **Date of Patent:** **\*\* Jun. 6, 2023**

(54) **FOOD PROCESSING COOKER**

(71) Applicant: **MIDEA GROUP CO., LTD.**, Foshan (CN)

(72) Inventors: **Weijia Kong**, Guangdong (CN); **Zhibo Xu**, Guangdong (CN)

(73) Assignee: **MIDEA GROUP CO., LTD.**, Foshan (CN)

(\*\*) Term: **15 Years**

(21) Appl. No.: **35/513,638**

(22) Filed: **Nov. 30, 2021**

(80) **Hague Agreement Data**

Int. Filing Date: **Nov. 30, 2021**  
Int. Reg. No.: **DM/218786**  
Int. Reg. Date: **Nov. 30, 2021**  
Int. Reg. Pub. Date: **Feb. 11, 2022**

(30) **Foreign Application Priority Data**

Oct. 14, 2021 (CN) ..... 202130672848.X

(51) **LOC (14) Cl.** ..... **07-02**

(52) **U.S. Cl.**  
USPC ..... **D7/354**

(58) **Field of Classification Search**

USPC ..... D7/337, 354, 367, 372, 376-386, 396.1, D7/409, 412-413, 526, 538, 542, 562, D7/565, 566, 584, 588, 602, 629, D7/665-667, 669, 679, 693-694

CPC .. A21C 1/02; A21C 1/04; A21C 1/144; A23N 1/00; A23N 1/02; A47J 43/04; A47J 43/22; A47J 43/25; A47J 43/27; A47J 43/042; A47J 43/044; A47J 43/046; A47J 43/075; A47J 43/0705; A47J 43/0711; A47J 43/0722; A47J 43/0727; A47J 43/1093; A47J 27/04; A47J 33/00; A47J 36/02; A47J 37/101; B01F 3/00; B01F 3/0807; B01F 3/0853; B01F 13/0059;

B01F 13/0064; B02C 1/08; B02C 2/04; B02C 4/42; B02C 4/142; B02C 4/143; B02C 4/423; B02C 13/1835; B28C 5/10; B28C 5/12; B28C 5/14; B28C 5/16; H05B 6/1227

See application file for complete search history.

(56) **References Cited**

**U.S. PATENT DOCUMENTS**

4,700,689 A \* 10/1987 Speker ..... A47J 37/101  
220/731  
5,481,967 A \* 1/1996 Chen ..... A47J 37/101  
126/299 C  
5,595,108 A \* 1/1997 Sheu ..... A47J 37/101  
99/413

(Continued)

*Primary Examiner* — Ricky Pham

(57) **CLAIM**

The ornamental design for a food processing cooker, as shown and described.

**DESCRIPTION**

The patent or application file contains at least one drawing executed in color. Copies of this patent or patent application publication with color drawing(s) will be provided by the Office upon request and payment of the necessary fee.

1. Food processing cooker

1.1: Front

1.2: Back

1.3: Left

1.4: Right

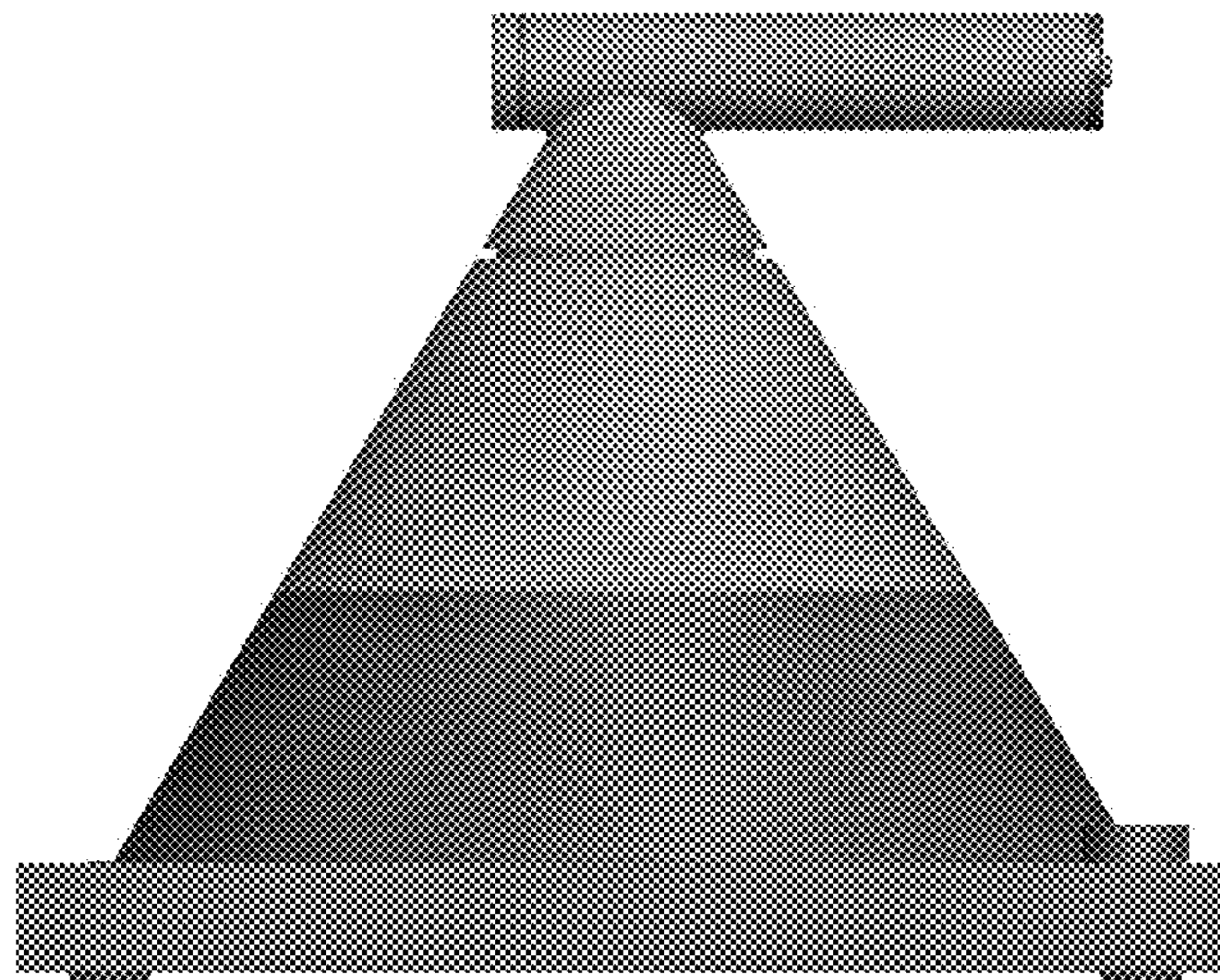
1.5: Top

1.6: Bottom

1.7: Perspective

The portions of the design shown in red color are for the purpose of illustrating portions of the food processing cooker and form no part of the claimed design.

**1 Claim, 7 Drawing Sheets**  
**(5 of 7 Drawing Sheet(s) Filed in Color)**



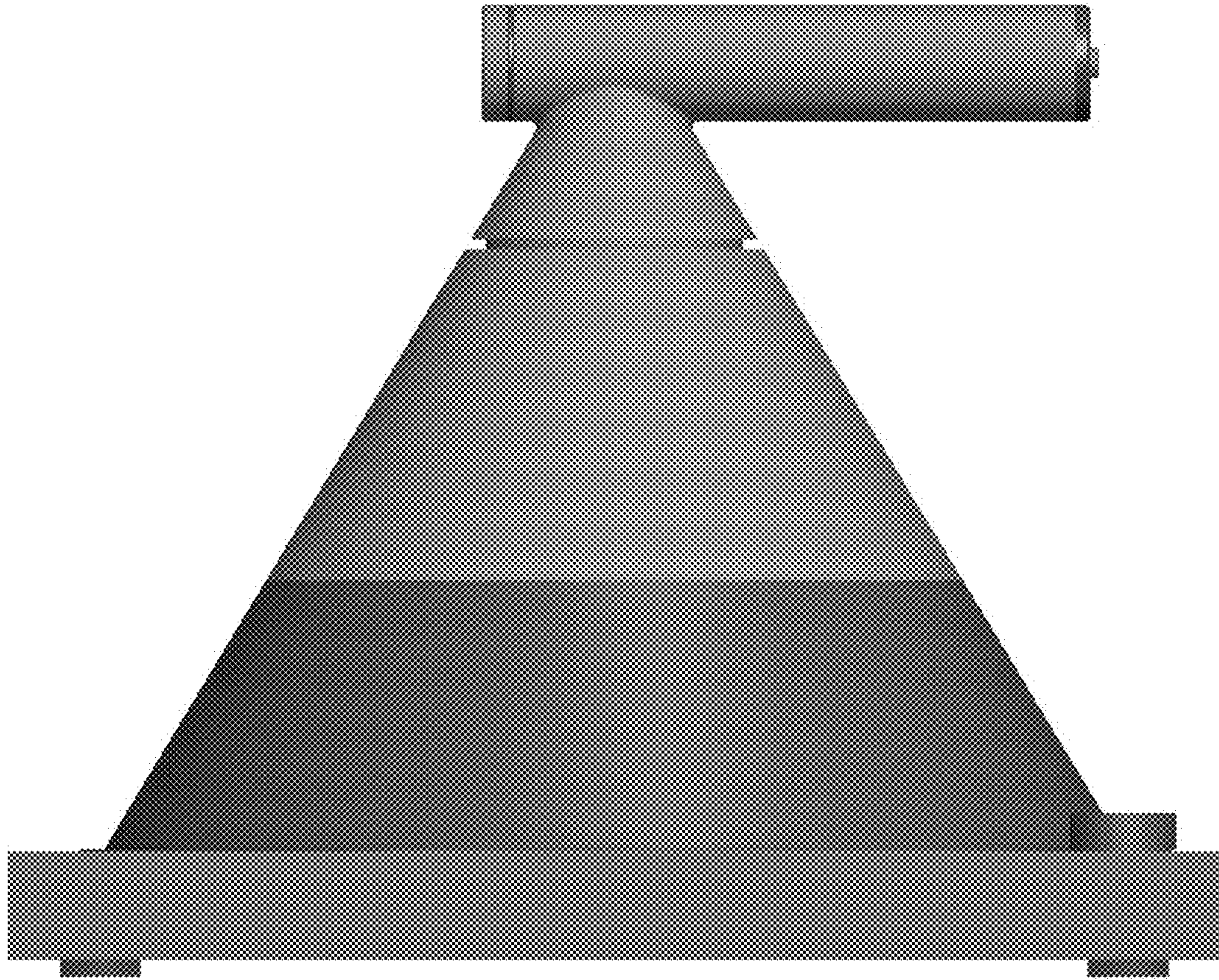
(56)

**References Cited**

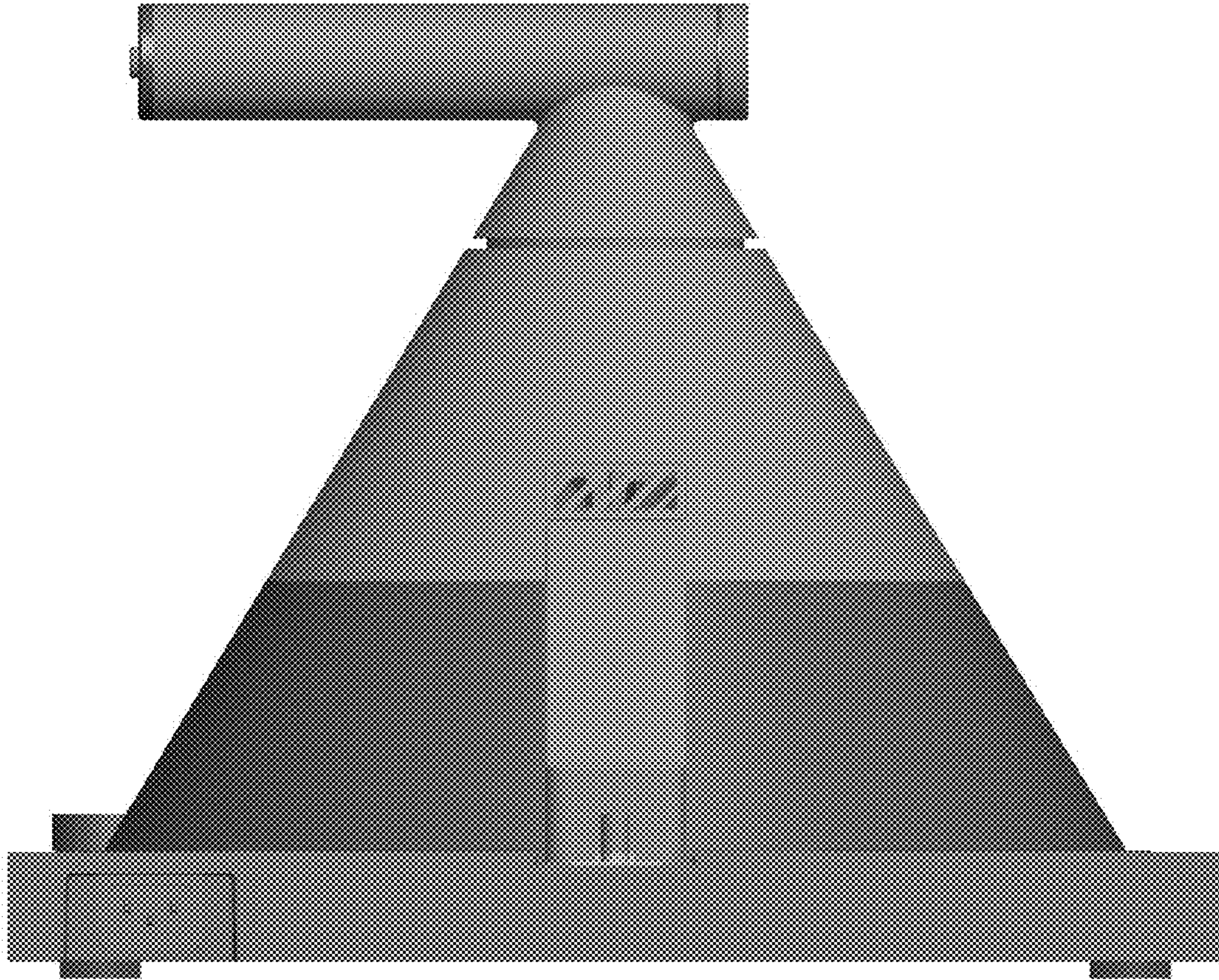
U.S. PATENT DOCUMENTS

5,687,642 A \* 11/1997 Chao ..... H05B 6/1227  
99/422  
6,029,652 A \* 2/2000 Riedl ..... A47J 37/101  
126/299 C  
D730,680 S \* 6/2015 Palermo ..... D7/367  
D772,648 S \* 11/2016 Palermo ..... D7/367  
D785,400 S \* 5/2017 Lee ..... D7/354  
9,814,348 B1 \* 11/2017 Adams ..... A47J 33/00  
D878,145 S \* 3/2020 Bodum ..... D7/367  
D934,612 S \* 11/2021 Palermo ..... D7/337  
11,344,146 B2 \* 5/2022 Palermo ..... A47J 36/02  
2004/0200359 A1 \* 10/2004 Snider ..... A47J 27/04  
99/446

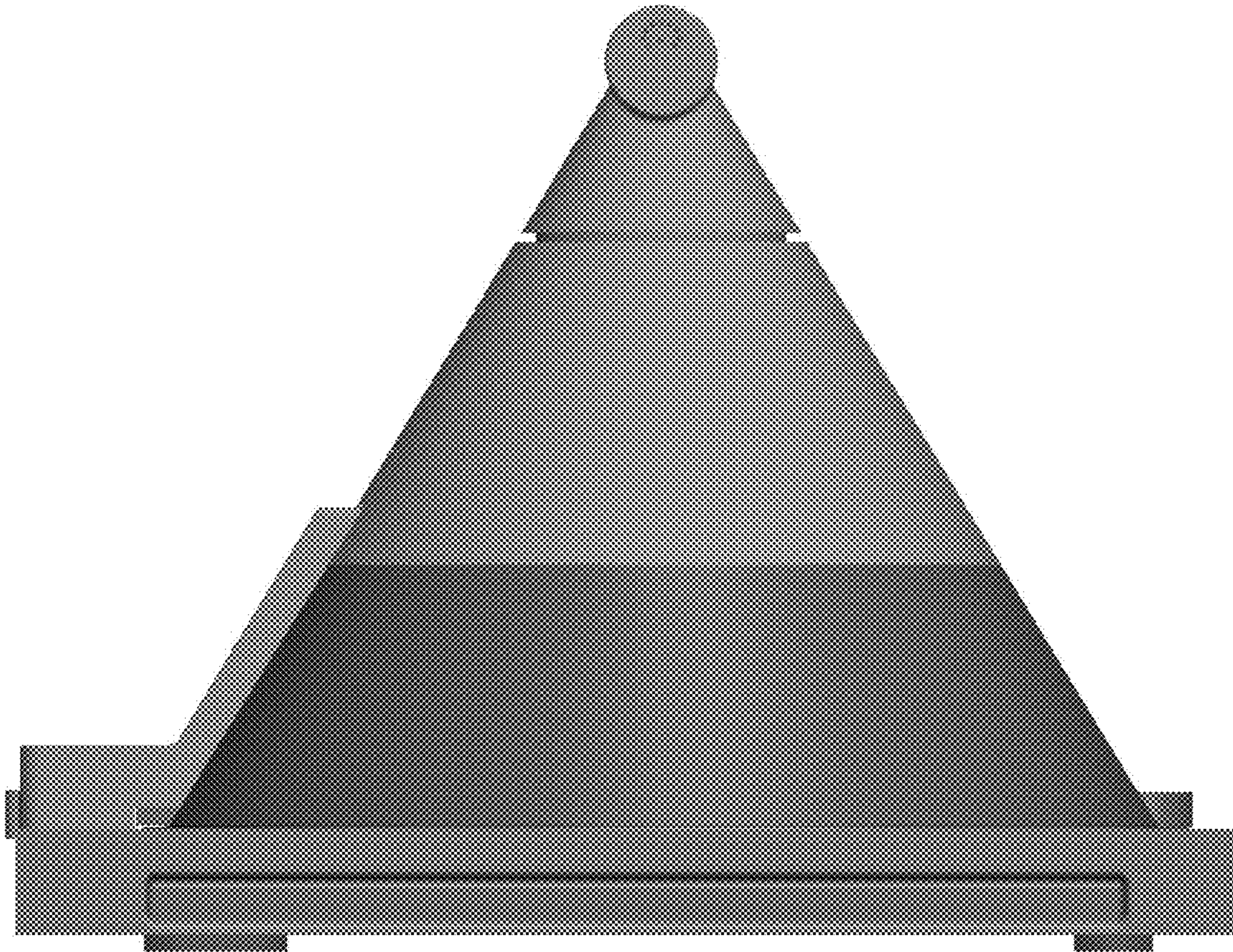
\* cited by examiner



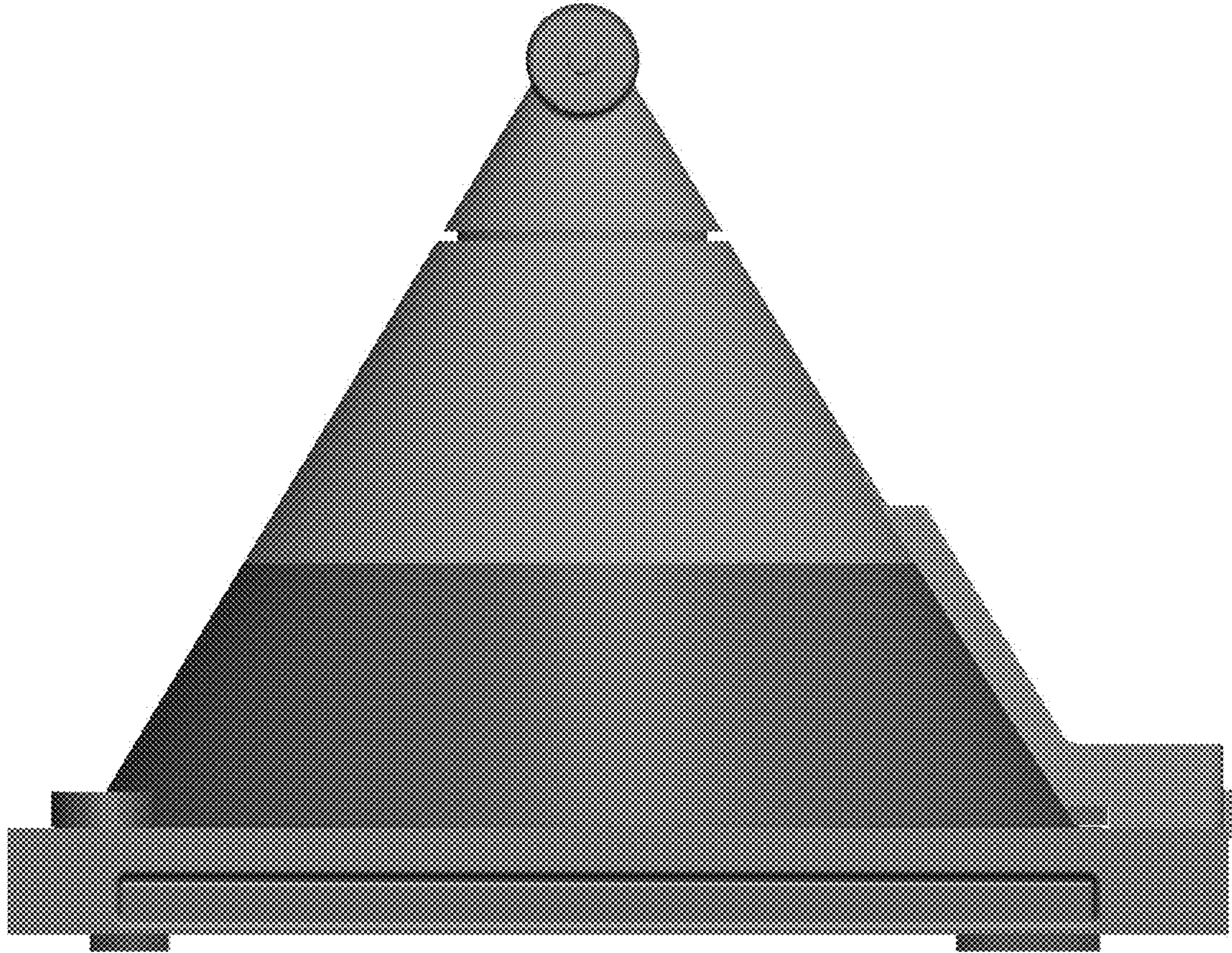
1.1



1.2

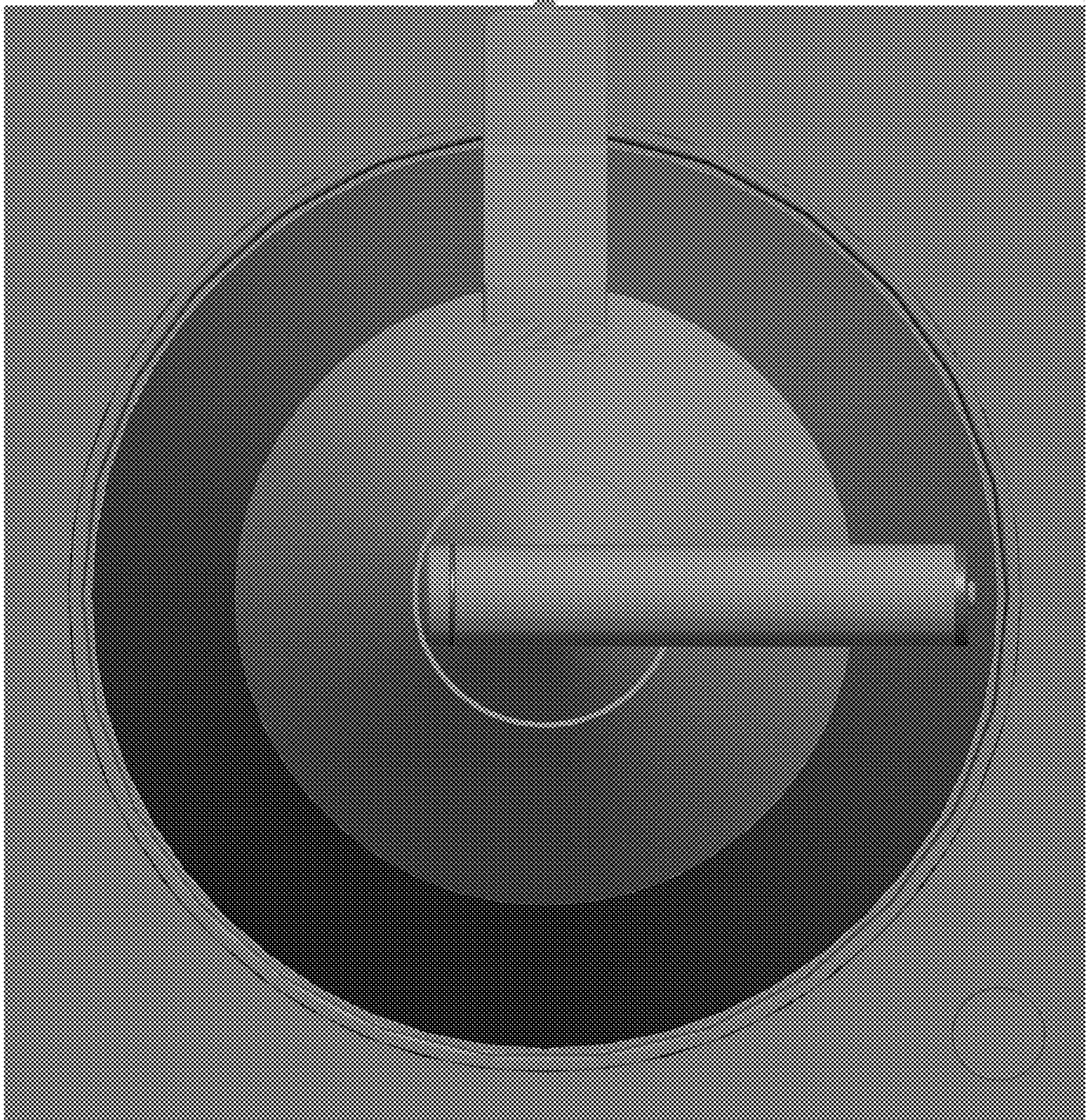


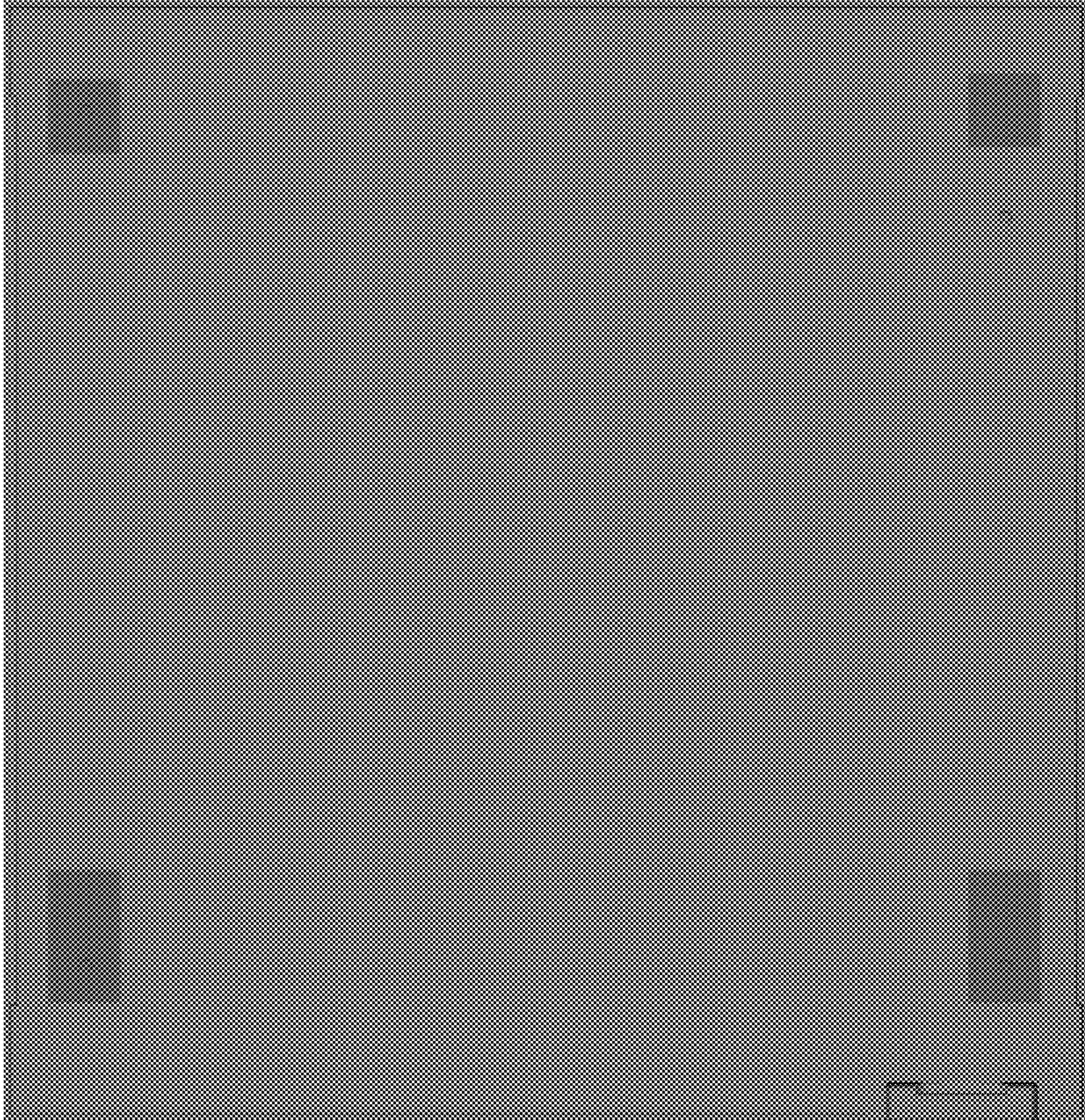
1.3



1.4

1.5





1.6



1.7

