



US00D988058S

(12) **United States Design Patent**
Gozney

(10) **Patent No.:** **US D988,058 S**

(45) **Date of Patent:** **** Jun. 6, 2023**

- (54) **OVEN**
- (71) Applicant: **Gozney Group Limited**, Christchurch (GB)
- (72) Inventor: **Thomas Robert Llewelyn Gozney**, Christchurch (GB)
- (73) Assignee: **Gozney Group Limited**, Dorset (GB)
- (**) Term: **15 Years**

- D640,499 S * 6/2011 King D7/348
- D642,855 S * 8/2011 de Paula D7/333
- D693,166 S 11/2013 Measom et al.
- D730,105 S 5/2015 Borovicka et al.
- D845,055 S 4/2019 Goodwin
- D849,908 S * 5/2019 Wu D23/343
- D862,970 S * 10/2019 Moretti D7/339
- D880,217 S * 4/2020 Tseng D7/348
- D887,767 S * 6/2020 Huang D7/323
- D888,489 S 6/2020 Thorogood

(Continued)

(21) Appl. No.: **29/785,384**

(22) Filed: **May 25, 2021**

Related U.S. Application Data

(62) Division of application No. 29/725,042, filed on Feb. 21, 2020, now Pat. No. Des. 947,591.

(30) **Foreign Application Priority Data**

Aug. 23, 2019 (GB) 6069087
 Aug. 23, 2019 (GB) 6069088

(51) **LOC (14) Cl.** **07-02**

(52) **U.S. Cl.**
USPC **D7/337**; D7/332

(58) **Field of Classification Search**
USPC D7/323, 328, 332-337, 339, 340,
D7/347-351, 354, 387, 393, 396, 402,
D7/405-409

CPC A47J 37/00; A47J 37/06; A47J 37/0605;
A47J 37/0623; A47J 37/0629; A47J
37/0635; A47J 37/0641; A47J 37/0647;
A47J 37/0658; F24C 7/00; F24C 7/02;
F24C 7/04

See application file for complete search history.

(56) **References Cited**

U.S. PATENT DOCUMENTS

D367,203 S * 2/1996 Sprouls D7/348
 D577,947 S 10/2008 Wimmer

OTHER PUBLICATIONS

Kettle Pizza Outdoor Pizza Oven Kit, Crate & Barrel, [online], [site visited Feb. 10, 2022], Available from internet URL: <https://www.crateandbarrel.com/kettlepizza-deluxe-usa-outdoor-pizza-oven-kit/s118228> (Year: 2022).*

(Continued)

Primary Examiner — Mary Ann Calabrese
Assistant Examiner — Natalya M Rapundalo

(74) *Attorney, Agent, or Firm* — Gesmer Updegrove LLP

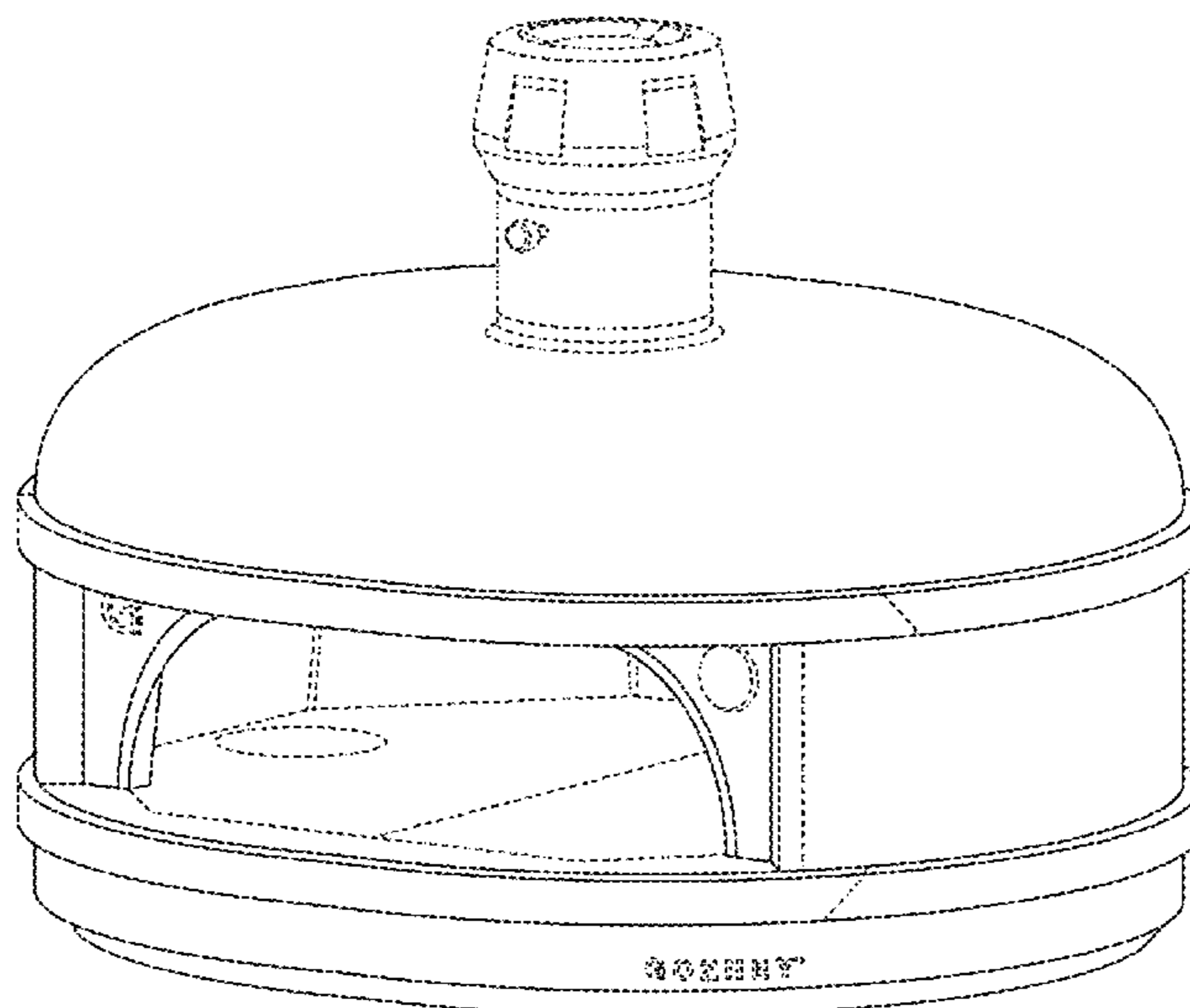
(57) **CLAIM**

The ornamental design for an oven, as shown and described.

DESCRIPTION

FIG. 1 is a perspective view of an oven showing a new design;
 FIG. 2 is a front view thereof;
 FIG. 3 is a back view thereof;
 FIG. 4 is a left view thereof;
 FIG. 5 is a right view thereof;
 FIG. 6 is a top view thereof; and,
 FIG. 7 is a bottom view thereof.
 The broken lines shown in the drawings show portions of the oven that form no part of the claimed design.

1 Claim, 7 Drawing Sheets



(56)

References Cited

U.S. PATENT DOCUMENTS

D897,142	S	*	9/2020	Huang	D7/323
D925,962	S	*	7/2021	Tapaninaho	A23L 5/15
						D7/332
D939,883	S	*	1/2022	Bonfiglioli	D7/348
D947,591	S	*	4/2022	Gozney	D7/332
D950,311	S	*	5/2022	Gozney	D7/332
2013/0276643	A1		10/2013	Krolick et al.		
2014/0026881	A1		1/2014	Abrams et al.		
2015/0047512	A1		2/2015	Marra		
2017/0295993	A1*		10/2017	Li	A23L 5/15
2020/0054167	A1		2/2020	Formisano		
2021/0153508	A1		5/2021	Gozney		

OTHER PUBLICATIONS

Gozney Dome, Gozney, [online], [site visited Mar. 12, 2021], Available from internet URL: <https://us.gozney.com/products/dome> (Year: 2021), 5 pages.

Design No. 6032720, Apr. 4, 2018—United Kingdom Intellectual Property Office (UKIPO), Publication Date—Apr. 7, 2018, Owner—Gozney Group Ltd, DesignView, available at www.tmdn.org/tmdsview-web/welcome (Year: 2018), 4 pages.

Meet the Gozney Dome, fist available Oct. 7, 2020, YouTube, [online], [site visited Mar. 12, 2021], Available from Internet URL: <https://us.gozney.com/products/dome> (Year: 2021), 1 page.

Napolino Pizza Oven, first available Sep. 8, 2016, Forno Bravo, [online], [site visited Mar. 17, 2021], Available from internet URL: <https://www.fornobravo.com/product-series/napolino-series-wood-ovens/> (Year: 2016), 4 pages.

* cited by examiner

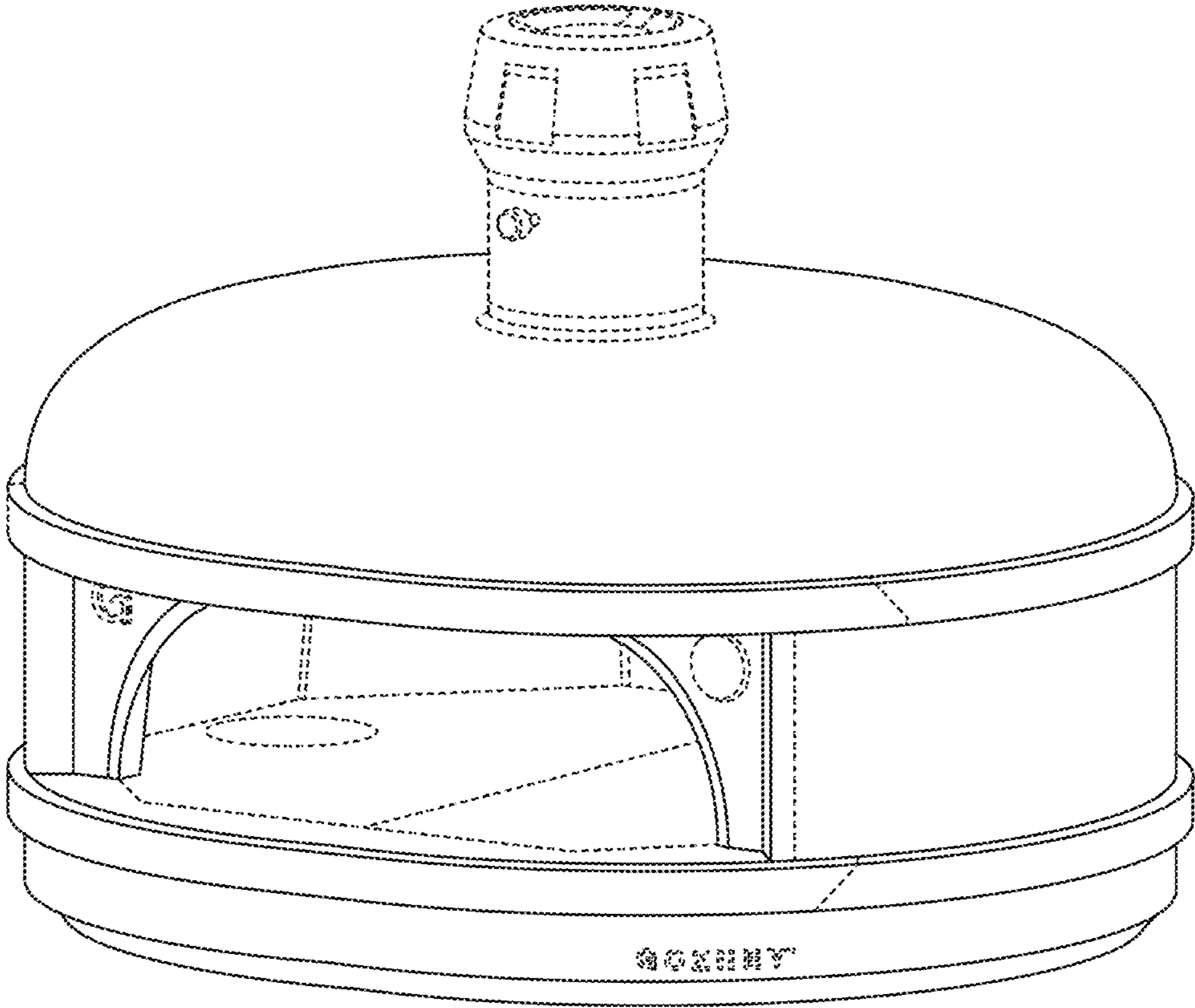


FIG. 1

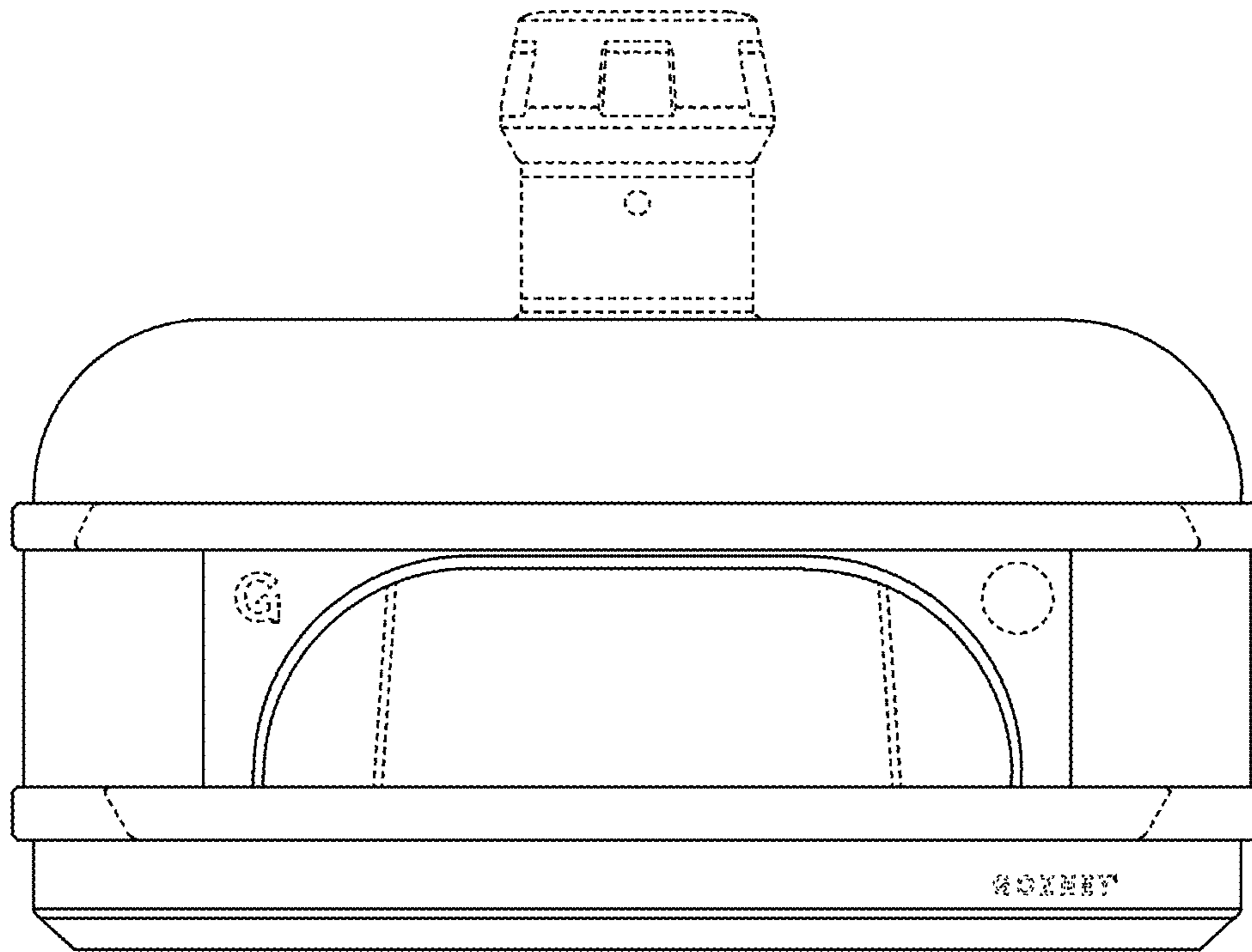


FIG. 2

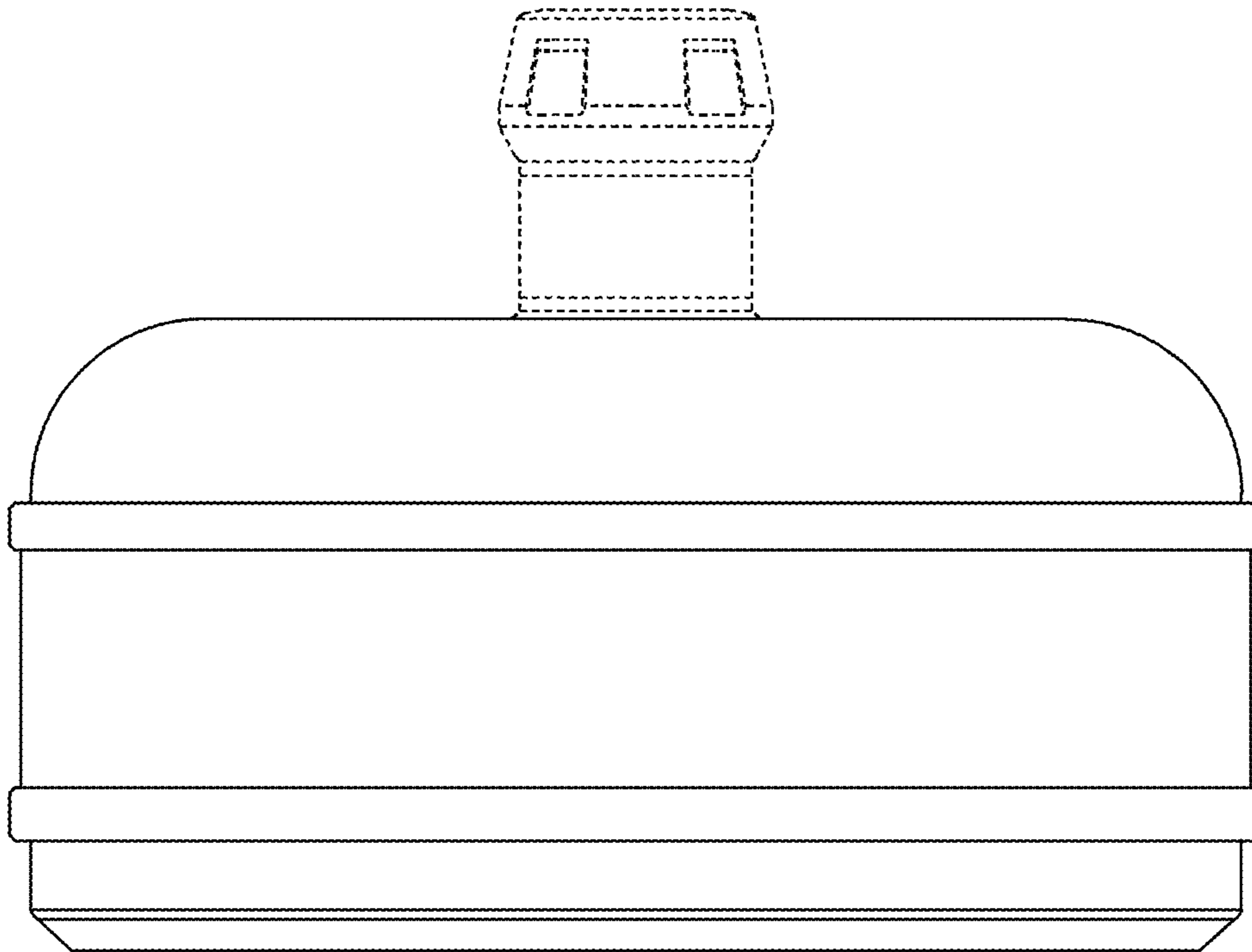


FIG. 3

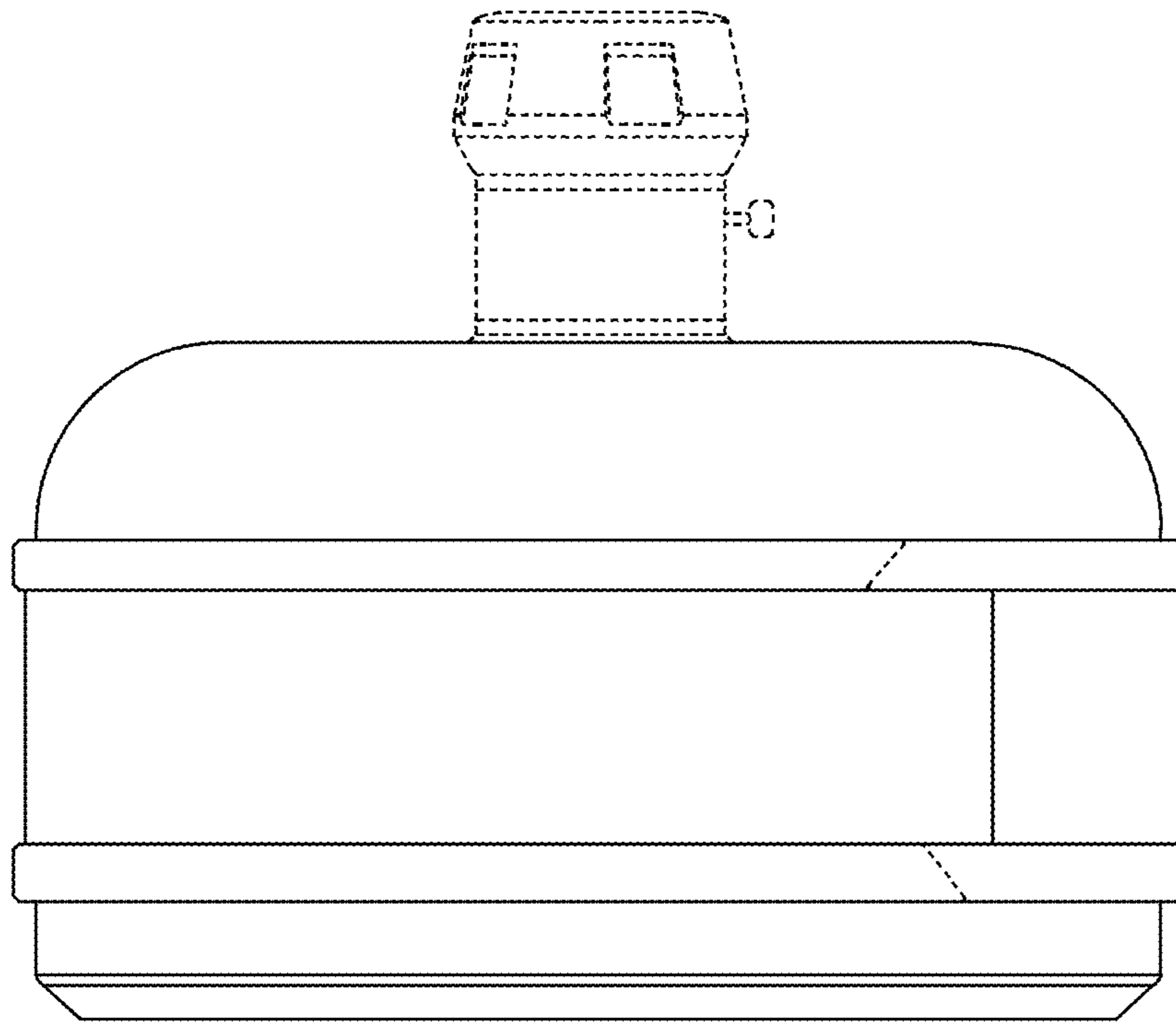


FIG. 4

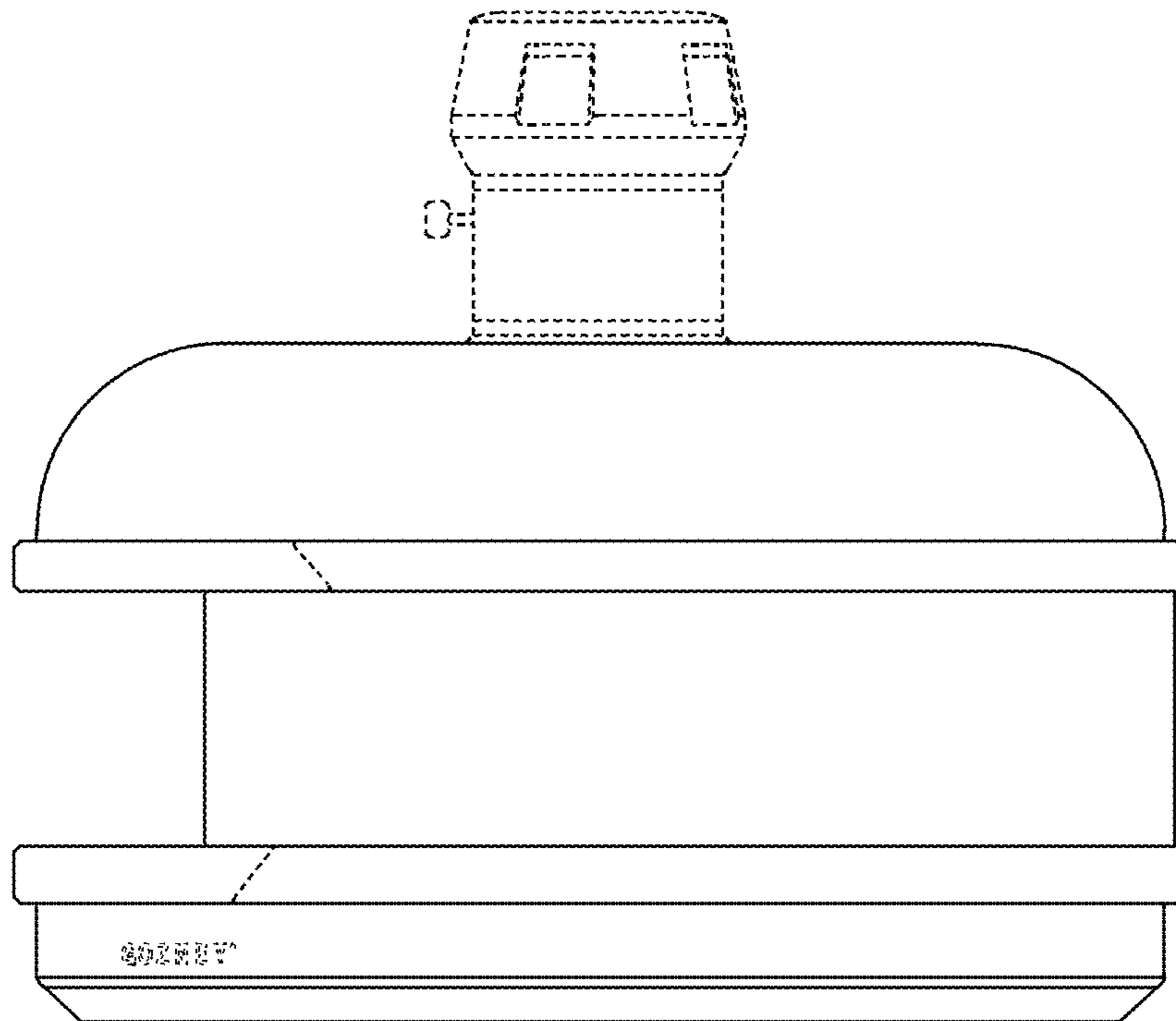


FIG. 5

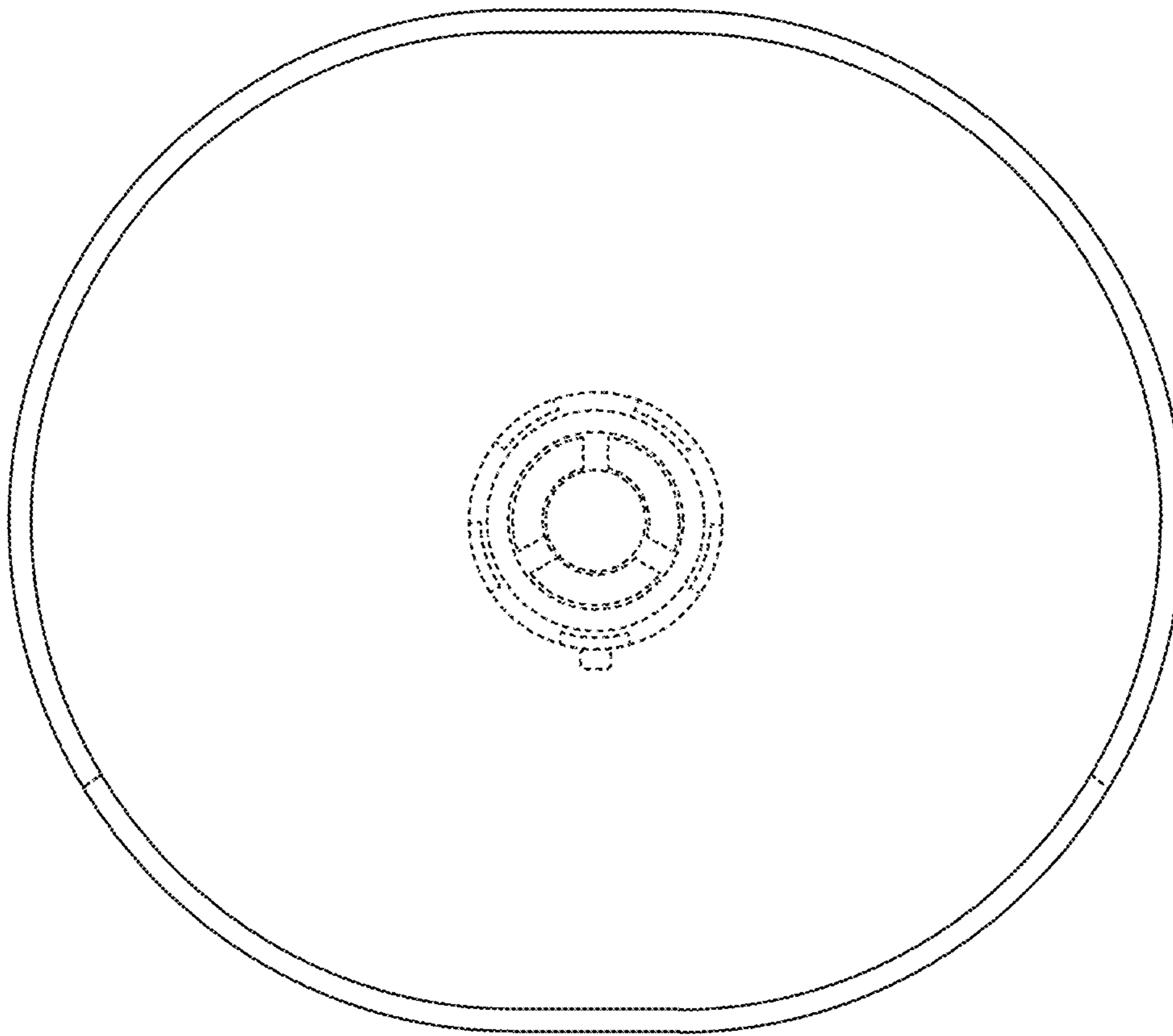


FIG. 6

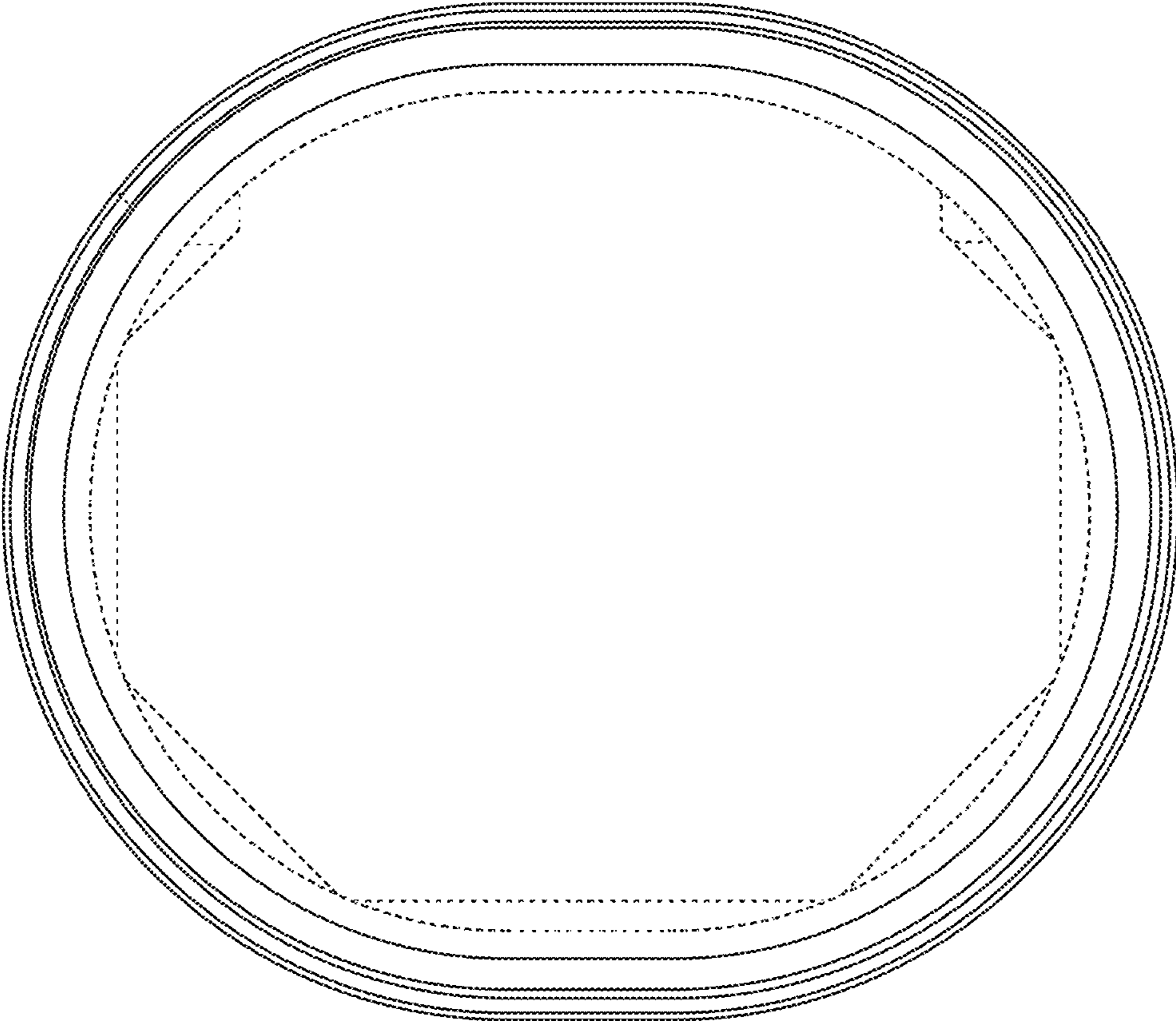


FIG. 7