



US00D988057S

(12) **United States Design Patent**
Lin

(10) **Patent No.:** **US D988,057 S**

(45) **Date of Patent:** **** Jun. 6, 2023**

(54) **DRY FRUIT MACHINE**

G07F 17/0078; G07F 17/0085; H05B 6/02; H05B 6/06; H05B 6/12

(71) Applicant: **Jinlong Lin**, Shenzhen (CN)

See application file for complete search history.

(72) Inventor: **Jinlong Lin**, Shenzhen (CN)

(56) **References Cited**

(73) Assignee: **Shenzhen Yuanrui Information Technology Co., Ltd**, Shenzhen (CN)

U.S. PATENT DOCUMENTS

(**) Term: **15 Years**

D305,596	S	*	1/1990	Nishibori	D7/351
D566,348	S	*	4/2008	Jung	D32/2
D566,910	S	*	4/2008	Jung	D32/2
D828,655	S	*	9/2018	Tong	D32/2
D845,564	S	*	4/2019	Tong	D32/2
D875,461	S	*	2/2020	Chen	D7/354
D875,462	S	*	2/2020	Chen	D7/354
D931,558	S	*	9/2021	Ishikawa	D32/2
D954,487	S	*	6/2022	Li	D7/350.3
D954,488	S	*	6/2022	Li	D7/350.3
D955,800	S	*	6/2022	Kim	D7/350.1

(21) Appl. No.: **29/802,221**

(22) Filed: **Aug. 4, 2021**

(30) **Foreign Application Priority Data**

Jun. 4, 2021 (CN) 202130347084.7

* cited by examiner

(51) **LOC (14) Cl.** **07-02**

Primary Examiner — Ricky Pham

(52) **U.S. Cl.**
USPC **D7/354**

(57) **CLAIM**

(58) **Field of Classification Search**
USPC D7/323, 350.1, 350.3, 351, 354-361;
D32/2

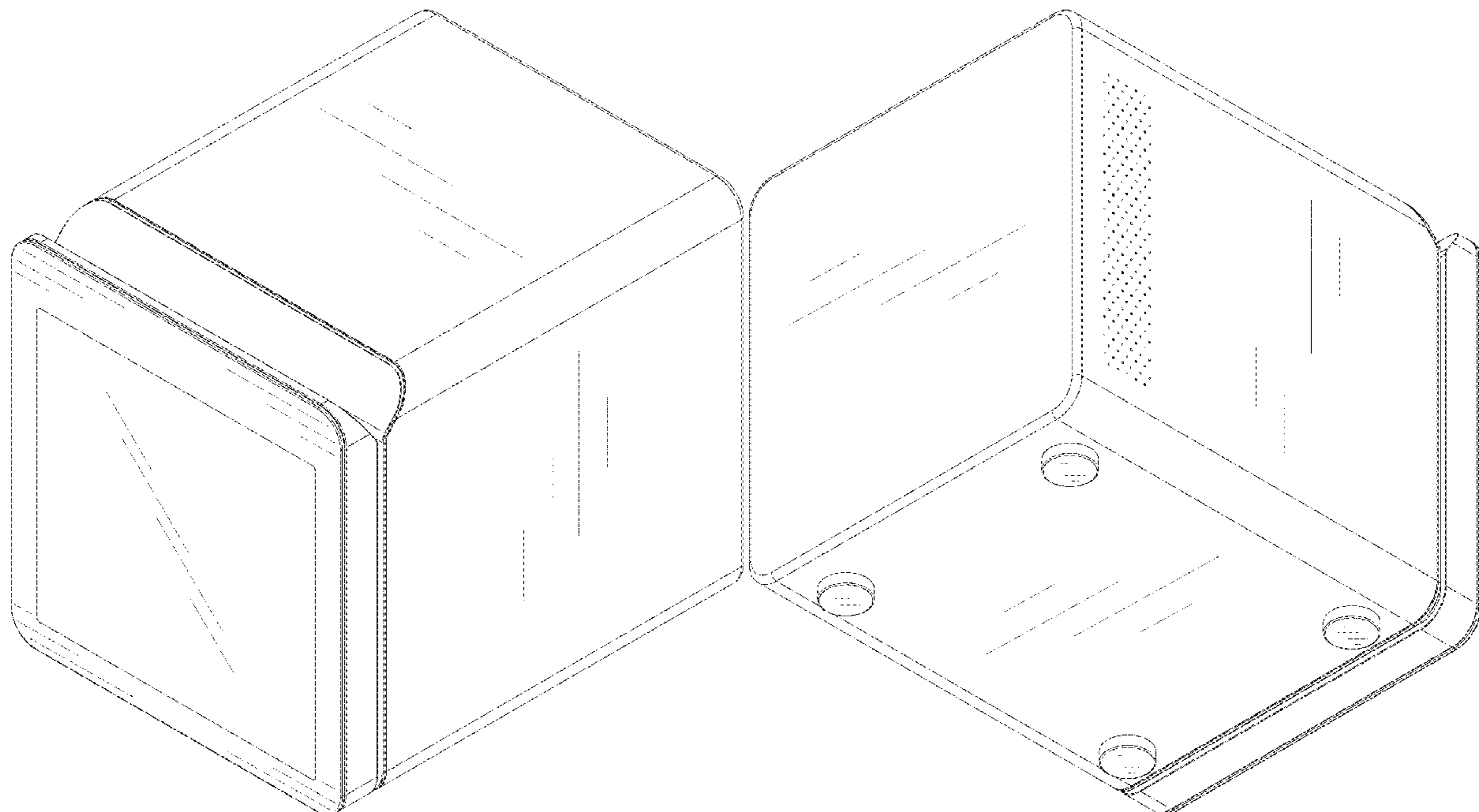
The ornamental design for a dry fruit machine, as shown and described.

CPC A23L 1/01; A23L 1/0107; A23L 1/0114;
A47J 27/00; A47J 27/004; A47J 27/08;
A47J 27/09; A47J 27/092; A47J 27/12;
A47J 36/025; A47J 36/06; A47J 36/08;
A47J 36/10; A47J 36/12; A47J 36/18;
A47J 36/20; A47J 36/22; A47J 36/165;
A47J 36/321; A47J 36/2483; A47J 37/00;
A47J 37/0641; A47J 37/12; A47J 37/129;
A47J 37/1204; A47J 37/1209; A47J
37/1214; A47J 37/1219; A47J 37/1261;
A47J 37/1266; A47J 37/1285; A47J
37/1295; F24C 7/10; G07F 17/0064;

DESCRIPTION

FIG. 1 is a front, top perspective view of a dry fruit machine showing my new design;
FIG. 2 is a rear, bottom perspective view thereof;
FIG. 3 is a front elevation view thereof;
FIG. 4 is a rear elevation view thereof;
FIG. 5 is a left side elevation view thereof;
FIG. 6 is a right side elevation view thereof;
FIG. 7 is a top plan view thereof; and,
FIG. 8 is a bottom plan view thereof.

1 Claim, 8 Drawing Sheets



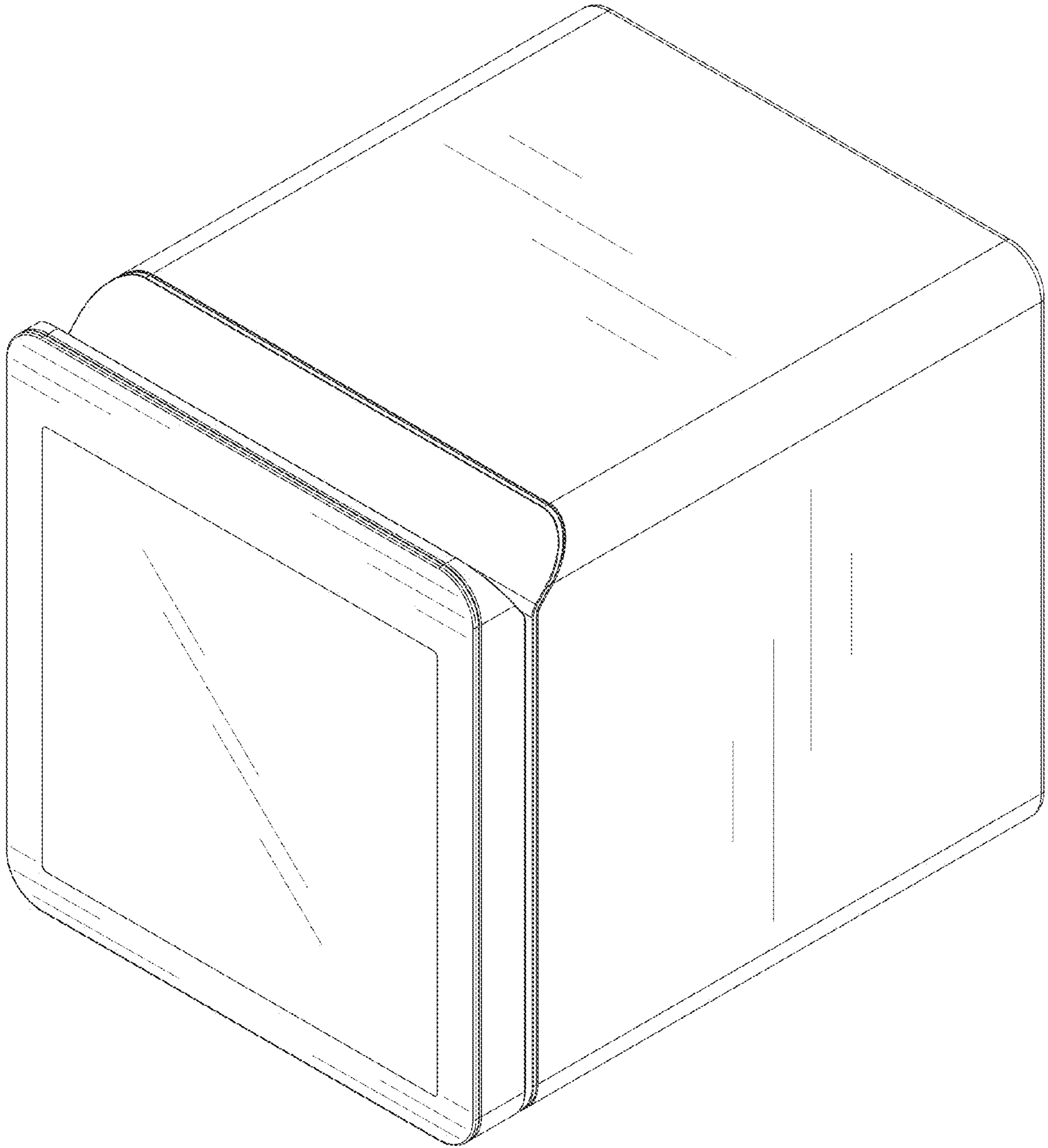


FIG. 1

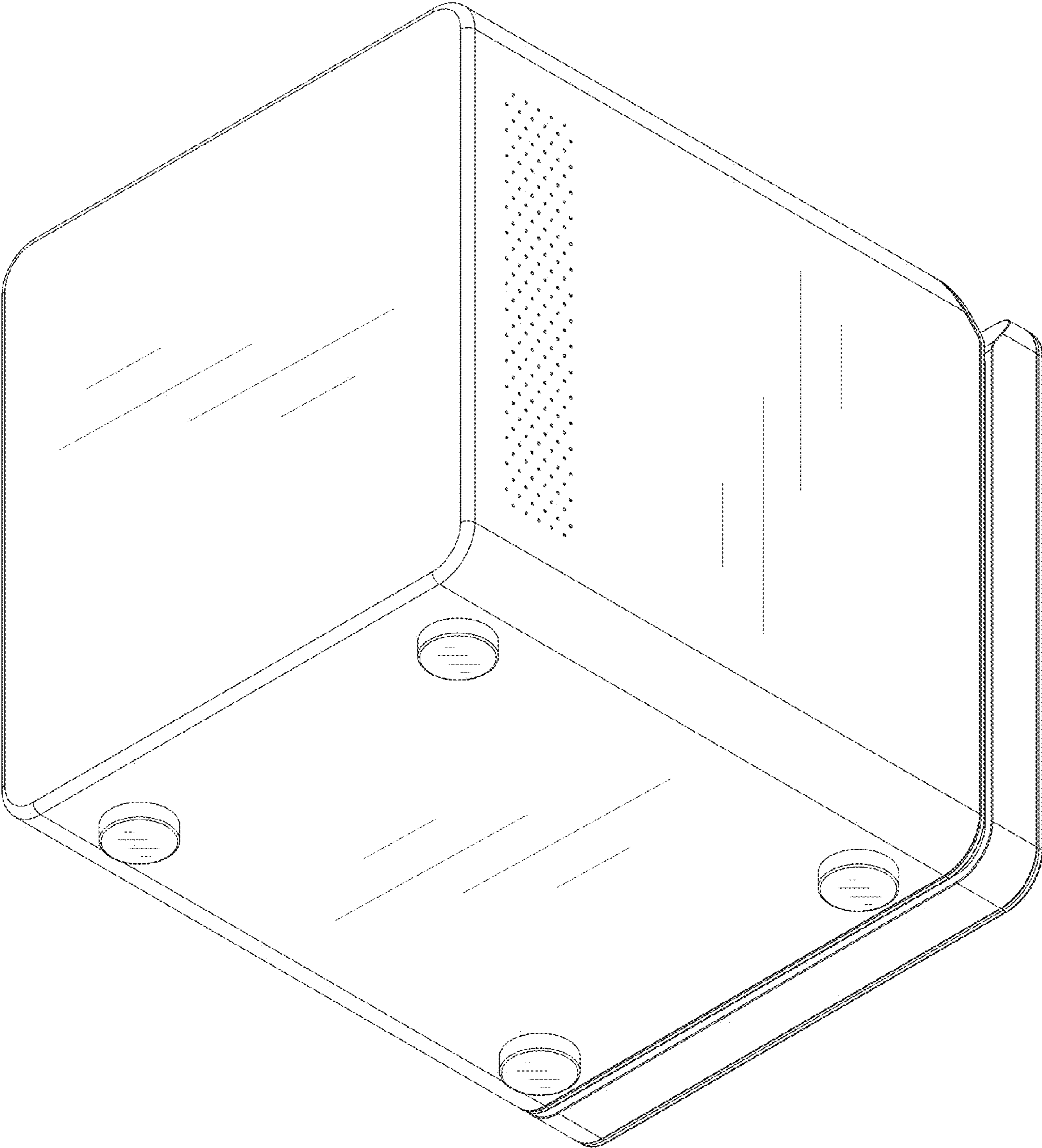


FIG. 2

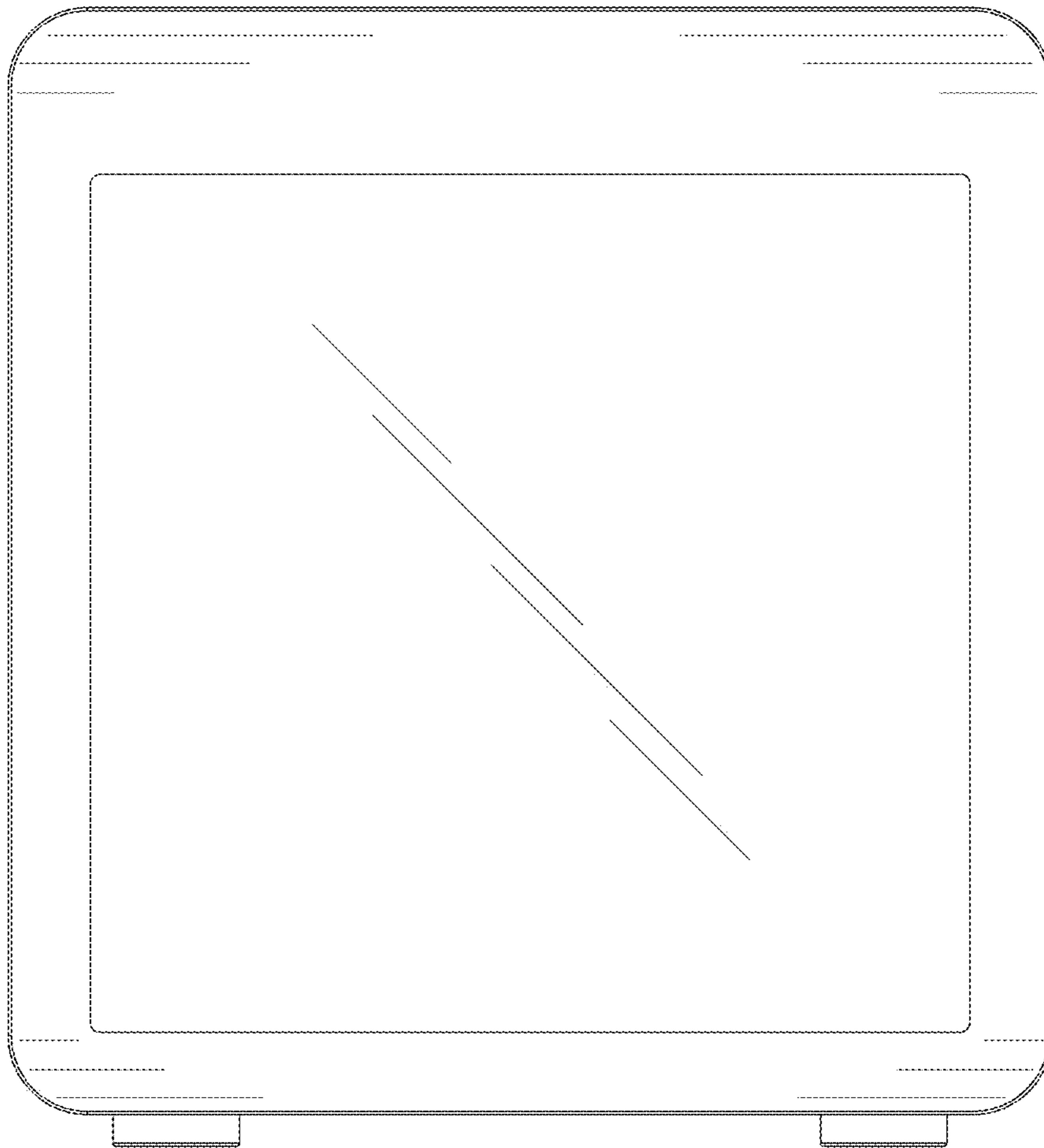


FIG. 3

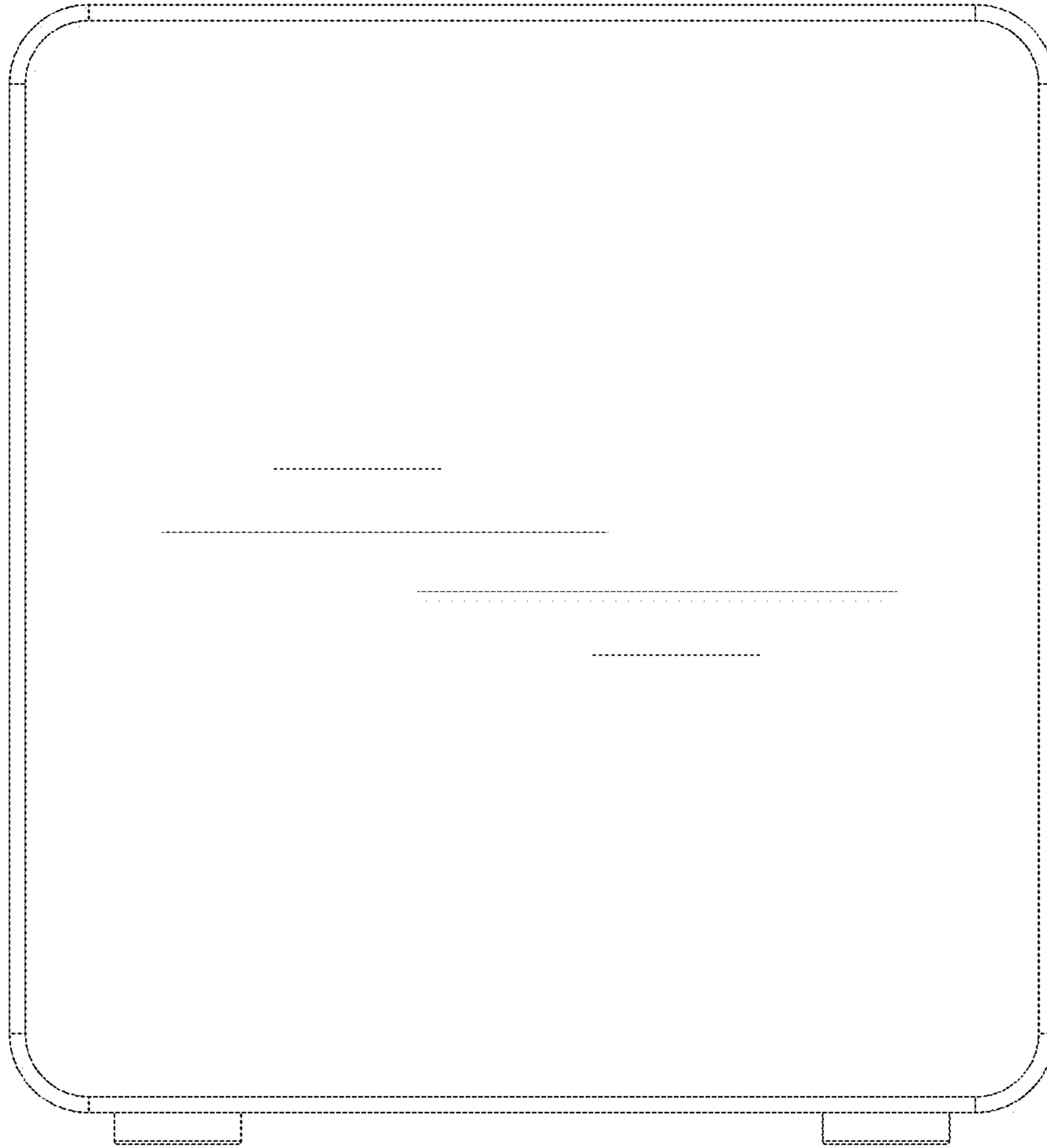


FIG. 4

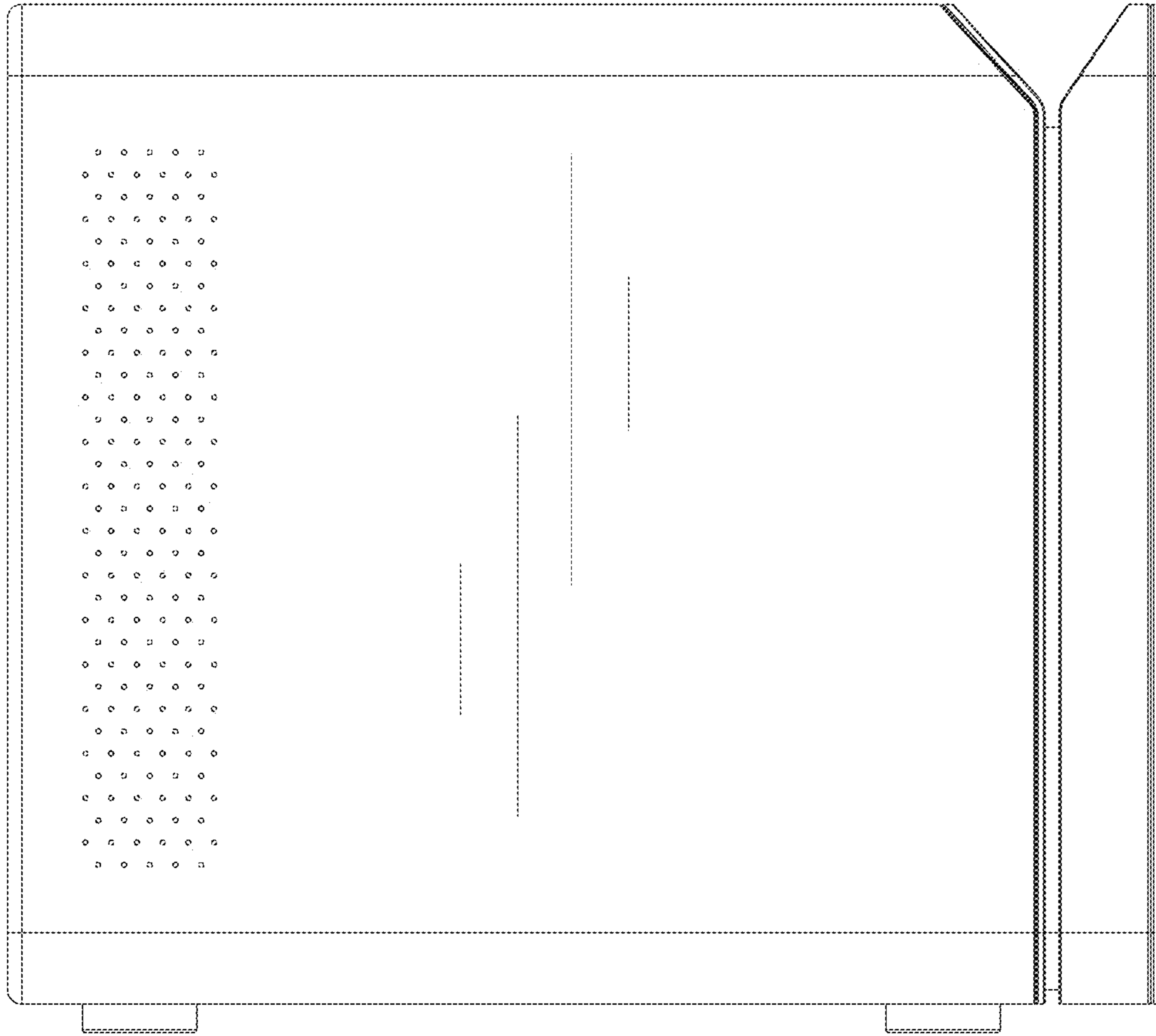


FIG. 5

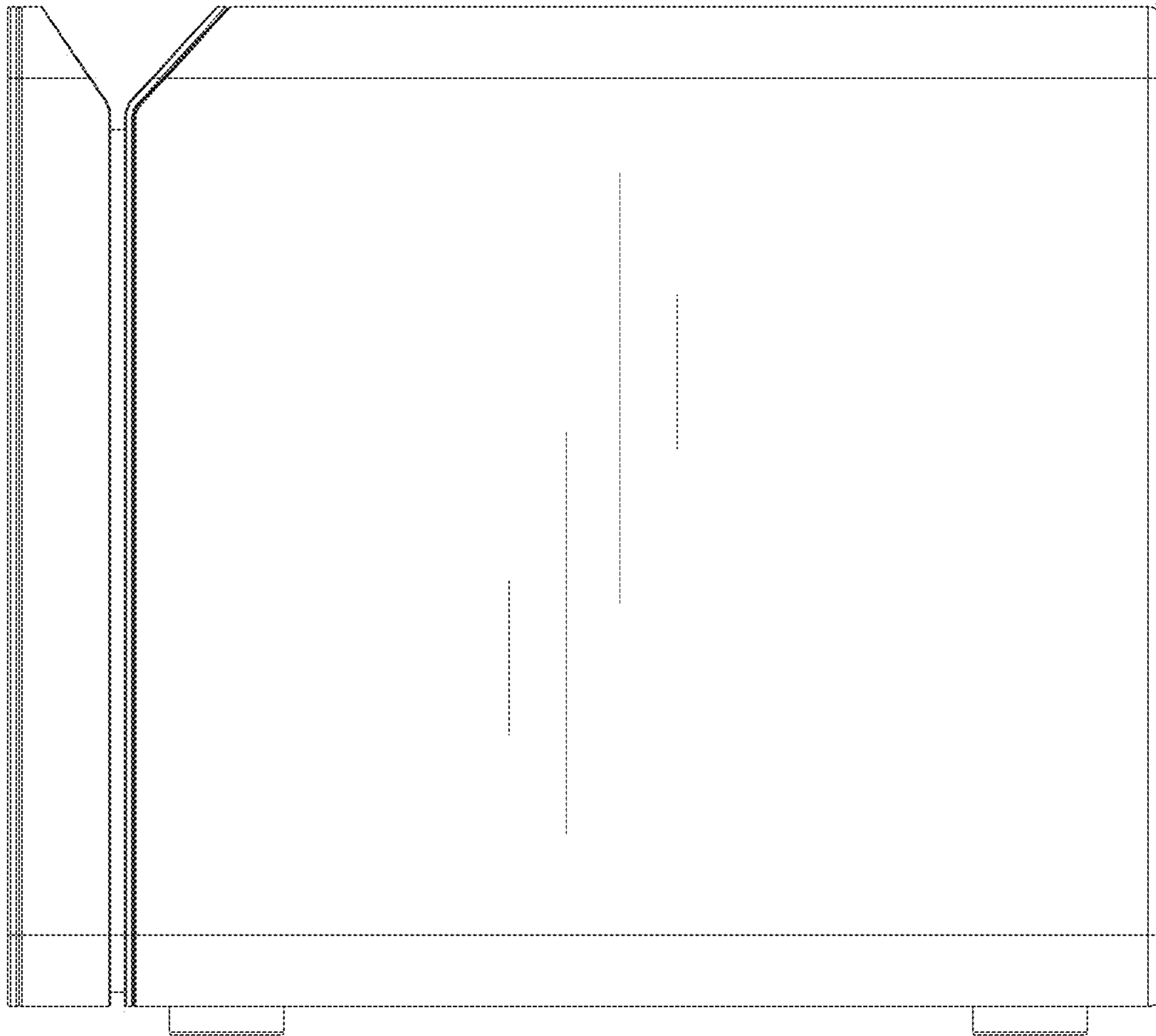


FIG. 6

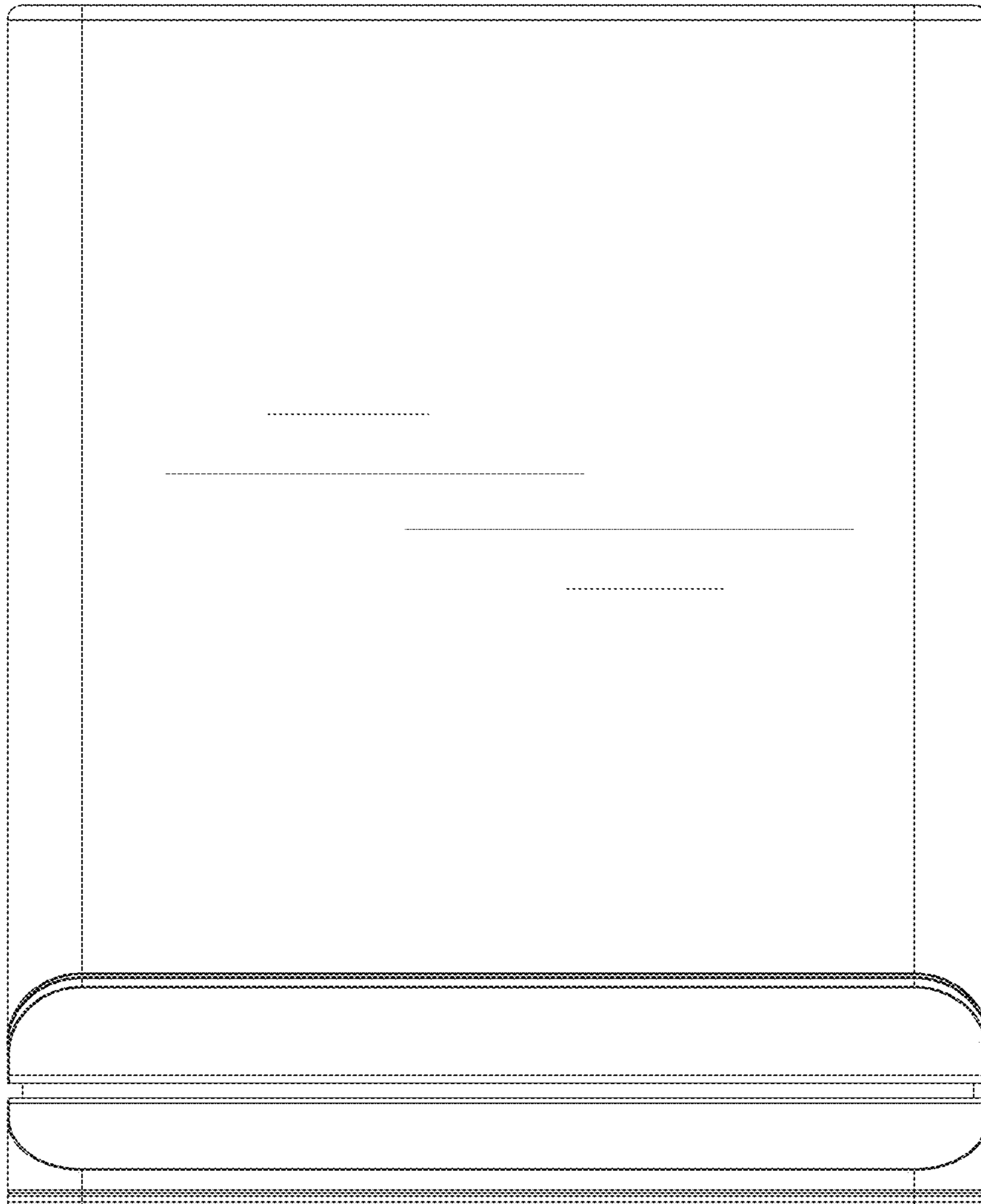


FIG. 7

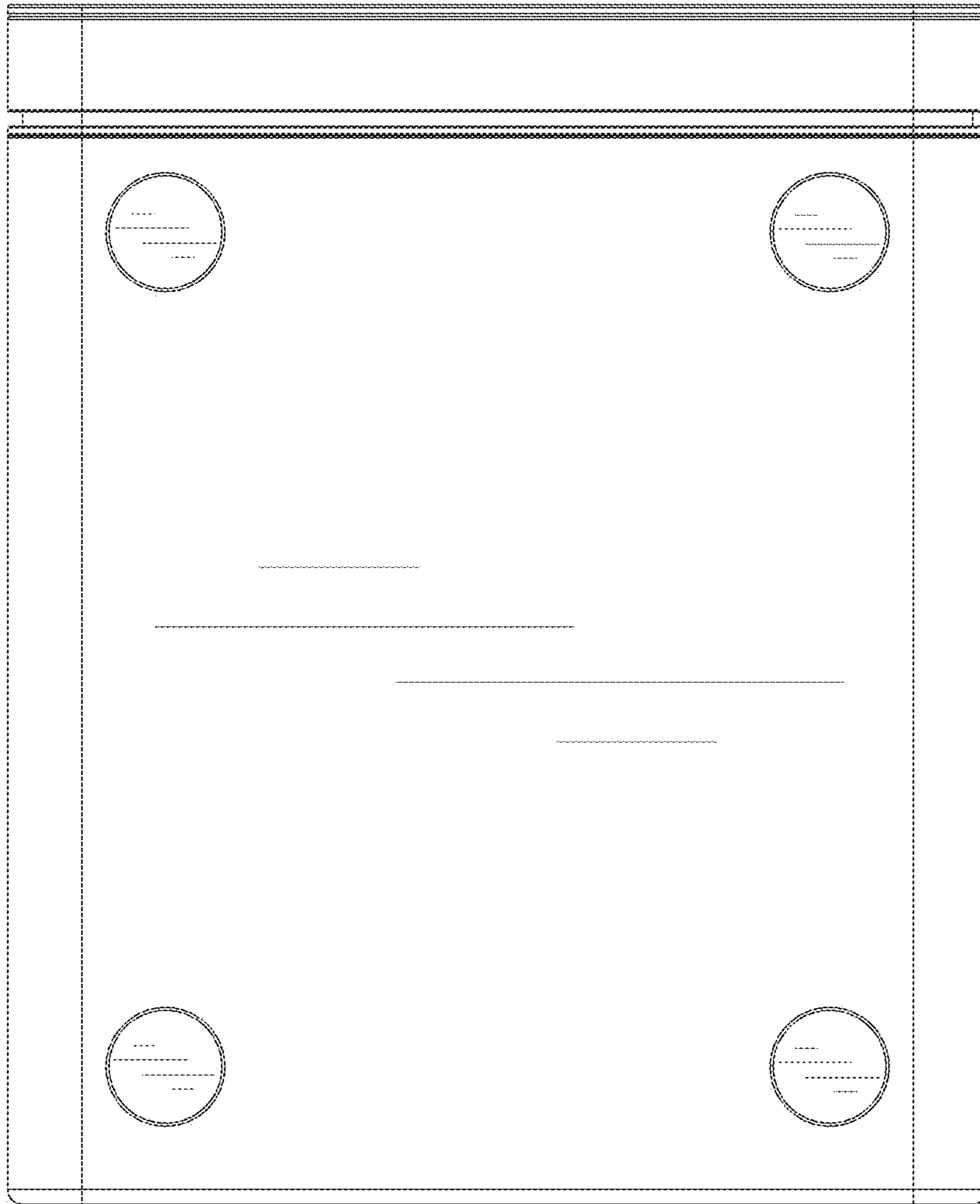


FIG. 8