



US00D988056S

(12) **United States Design Patent**
Szabo

(10) **Patent No.:** **US D988,056 S**
(45) **Date of Patent:** **** Jun. 6, 2023**

(54) **COFFEE MAKER**

(71) Applicants: **KONINKLIJKE PHILIPS N.V.**,
Eindhoven (NL); **KONINKLIJKE**
DOUWE EGBERTS B.V., Amsterdam
(NL)

(72) Inventor: **Ede Szabo**, Amersfoort (NL)

(73) Assignees: **KONINKLIJKE PHILIPS N.V.**,
Eindhoven (NL); **KONINKLIJKE**
DOUWE EGBERTS B.V., Amsterdam
(NL)

(**) Term: **15 Years**

(21) Appl. No.: **29/747,792**

(22) Filed: **Aug. 25, 2020**

(30) **Foreign Application Priority Data**

Feb. 26, 2020 (EM) 007715446

(51) **LOC (14) Cl.** **07-01**

(52) **U.S. Cl.**
USPC **D7/309; D7/311**

(58) **Field of Classification Search**
USPC D7/305–311, 300, 313, 397; 99/295,
99/323.1, 305, 307, 279, 284, 304, 306,
(Continued)

(56) **References Cited**

U.S. PATENT DOCUMENTS

D331,522 S * 12/1992 Littmann D7/311
D352,863 S * 11/1994 VerHoven D7/319
(Continued)

FOREIGN PATENT DOCUMENTS

CA 107958 * 9/2005
CN 307596588 * 10/2022
(Continued)

OTHER PUBLICATIONS

Senseo original [online] URL: <https://www.amazon.de/-/en/dp/B08Z4CHFN1> (site visited: Oct. 5, 2022) (Year: 2021).*

(Continued)

Primary Examiner — Michael C Stout

Assistant Examiner — Tia Ruth-Renee Polidori

(74) *Attorney, Agent, or Firm* — Pearne & Gordon LLP;
Michelle E. Tochtrop

(57) **CLAIM**

The ornamental design for a coffee maker, as shown and described.

DESCRIPTION

FIG. 1 is a front perspective view of a coffee maker, showing my new design;

FIG. 2 is a front view thereof;

FIG. 3 is a back view thereof;

FIG. 4 is a right side view thereof;

FIG. 5 is a left side view thereof;

FIG. 6 is a top view thereof;

FIG. 7 is a bottom view thereof;

FIG. 8 is a front perspective view of a coffee maker showing my new design in a second embodiment;

FIG. 9 is a front view thereof;

FIG. 10 is a back view thereof;

FIG. 11 is a right side view thereof;

FIG. 12 is a left side view thereof;

FIG. 13 is a top view thereof;

FIG. 14 is a bottom view thereof;

FIG. 15 is a front perspective view of a coffee maker showing my new design in a third embodiment;

FIG. 16 is a front view thereof;

FIG. 17 is a back view thereof;

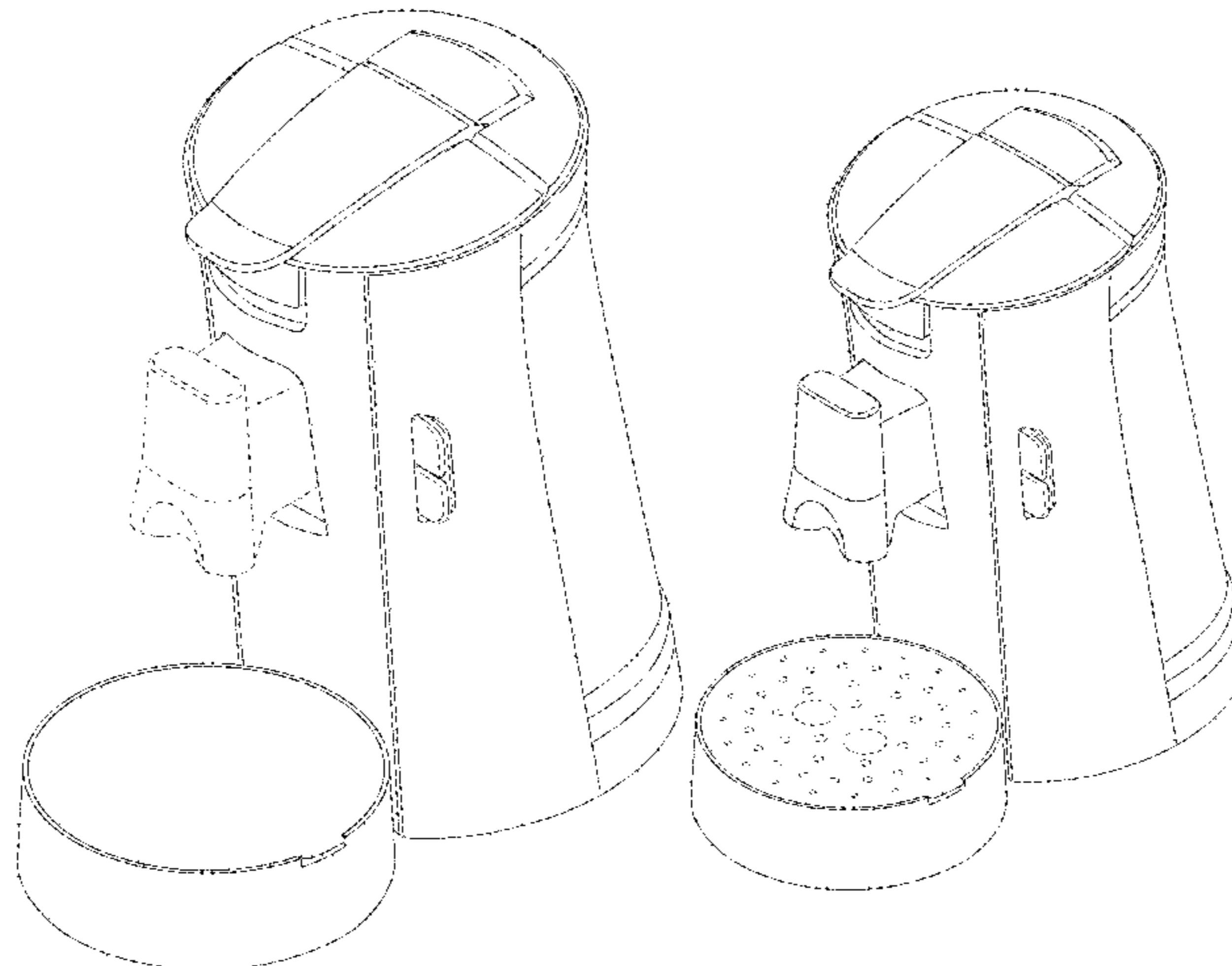
FIG. 18 is a right side view thereof;

FIG. 19 is a left side view thereof;

FIG. 20 is a top view thereof; and,

FIG. 21 is a bottom view thereof.

(Continued)



In the drawings, the broken lines represent portions of the coffee maker which form no part of the claimed design.

1 Claim, 21 Drawing Sheets

(58) **Field of Classification Search**

USPC 99/308-312, 316; 222/129.1, 185.1;
D15/81, 82
CPC A47J 31/44; A47J 31/4403; A47J 31/46;
A47J 31/4482; A47J 31/407; A47J
31/0615; A47J 31/043; A47J 31/057;
A47J 31/10; B67D 1/00; B67D 1/0888;
B67D 3/0061

See application file for complete search history.

(56) **References Cited**

U.S. PATENT DOCUMENTS

D401,803 S * 12/1998 Alferink D7/307
D419,362 S * 1/2000 Bouhuys D7/311
D421,871 S * 3/2000 Klosinski D7/311
D501,750 S * 2/2005 De D7/311
D502,043 S * 2/2005 Lin D7/311
D519,774 S * 5/2006 Hansen D7/306
D520,293 S * 5/2006 Prat-Pfister D7/311
D521,305 S * 5/2006 Hansen D7/306
D521,794 S * 5/2006 Hansen D7/311
D523,682 S * 6/2006 Hansen D7/311
D525,469 S * 7/2006 Hansen D7/311
D527,214 S * 8/2006 Hansen D7/311
D531,845 S * 11/2006 Christianson D6/542
D533,389 S * 12/2006 Hansen D7/311
D582,193 S * 12/2008 Picozza D7/311
D588,855 S * 3/2009 Jacquet D7/311
D606,356 S * 12/2009 Uylings D7/311
D617,603 S * 6/2010 Garman D7/373
D621,647 S * 8/2010 Jacquet D7/311

D625,135 S * 10/2010 Warburton D7/311
D699,065 S * 2/2014 Bucher D7/311
D723,858 S * 3/2015 Ye D7/397
D741,101 S * 10/2015 Luippold D7/311
D805,170 S * 12/2017 Chen D23/318
D828,064 S * 9/2018 McDonald D7/311
D866,219 S * 11/2019 Wegner D6/542
D876,144 S * 2/2020 Cavalli D7/311
D877,552 S * 3/2020 Struzka D7/311
D883,005 S * 5/2020 Takahashi D7/313
D897,721 S * 10/2020 Jia D6/542
2016/0353918 A1 * 12/2016 Talon A47J 31/3695
2017/0367524 A1 * 12/2017 de Graaff A47J 31/4492

FOREIGN PATENT DOCUMENTS

IN 226854-0001 * 2/2011
IN 285082-0001 * 4/2019
JP D1278395 * 8/2006
JP D1278396 * 8/2006
JP D1278397 * 8/2006
WO WOD217053-001 * 4/2022

OTHER PUBLICATIONS

Senseo [online] URL: <https://www.amazon.co.uk/Philips-CSA240-31-coffee-machine/dp/B08TB1QKBL> (site visited: Oct. 5, 2022) (Year: 2021).*

Arzum [online] URL: <https://www.amazon.com/Arzum-Okka-Minio-Automatic-Turkish/dp/B07NC6CQXF> (site visited: Dec. 28, 2022) (Year: 2019).*

Instant [online] URL: <https://www.instanthome.com/product/instant-appliances/solo-single-serve-coffee-maker-gray> (site visited: Dec. 28, 2022) (Year: 2022).*

JavaNutz [online] URL: <https://javanutz.com/products/single-serve-coffee-maker-with-free-mug> (site visited: Dec. 28, 2022) (Year: 2022).*

LOR [online] URL: <https://lorcoffee.com/products/lor-barista-coffee-espresso-system> (site visited: Dec. 28, 2022) (Year: 2022).*

* cited by examiner

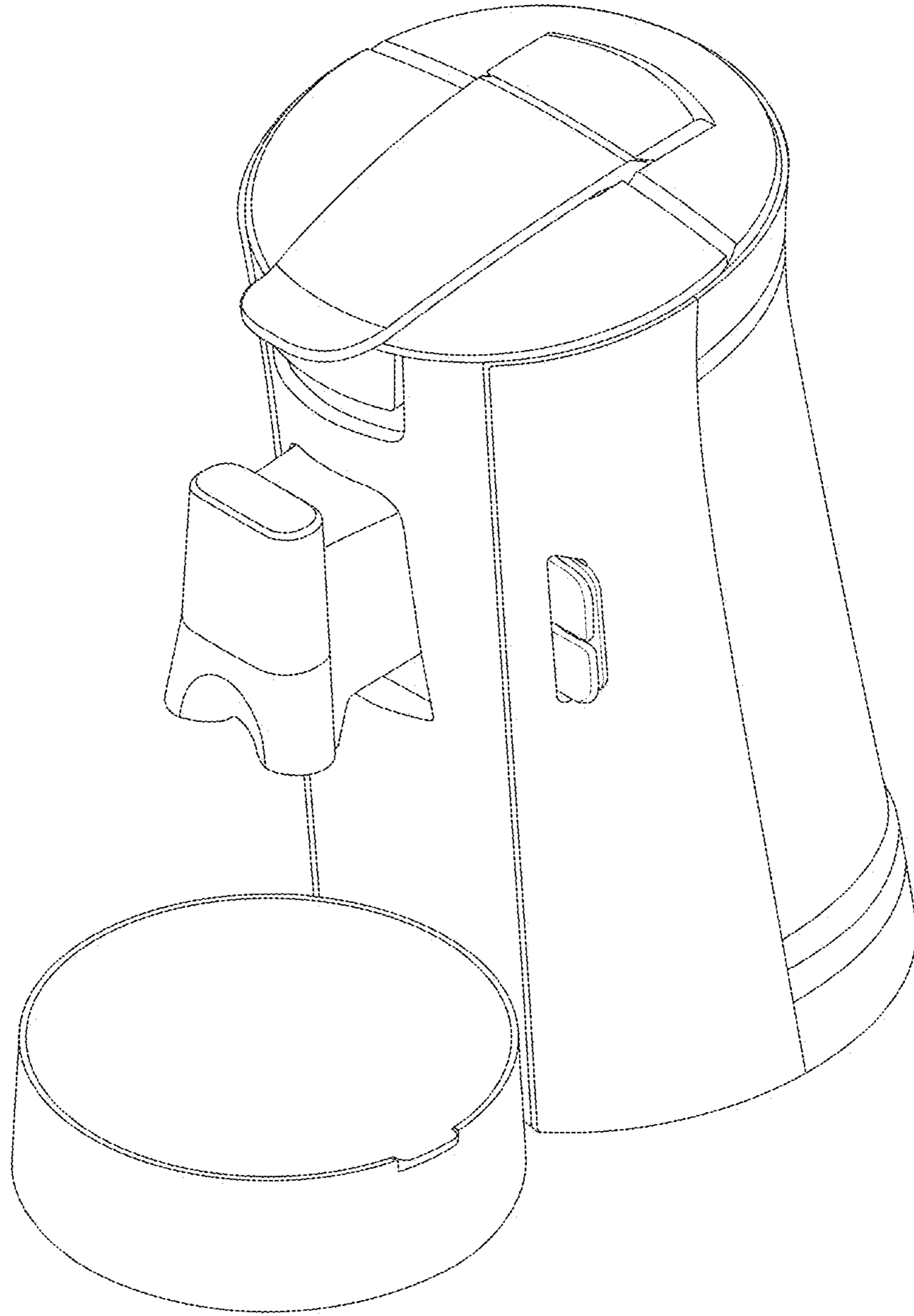


FIG. 1

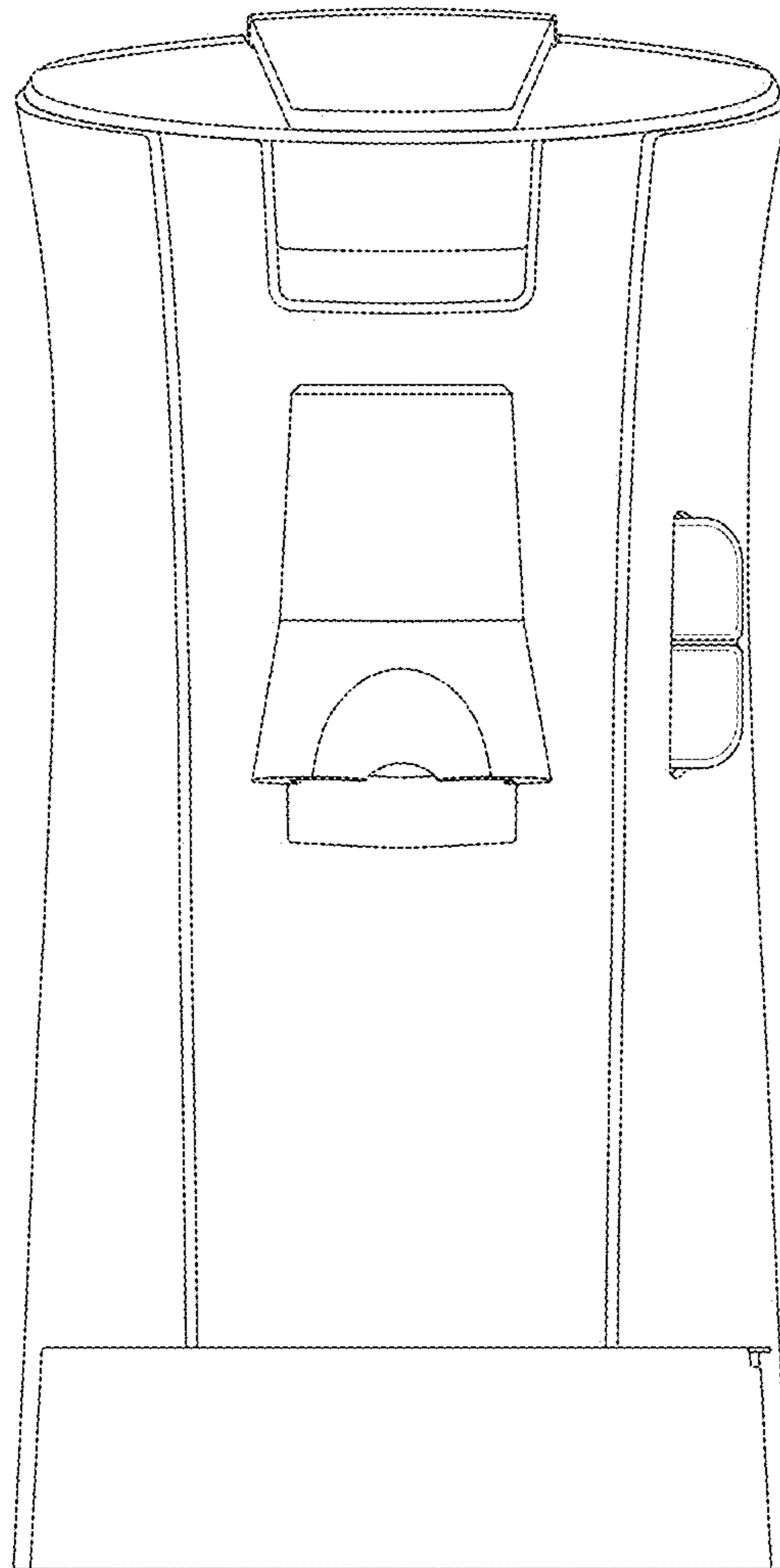


FIG. 2

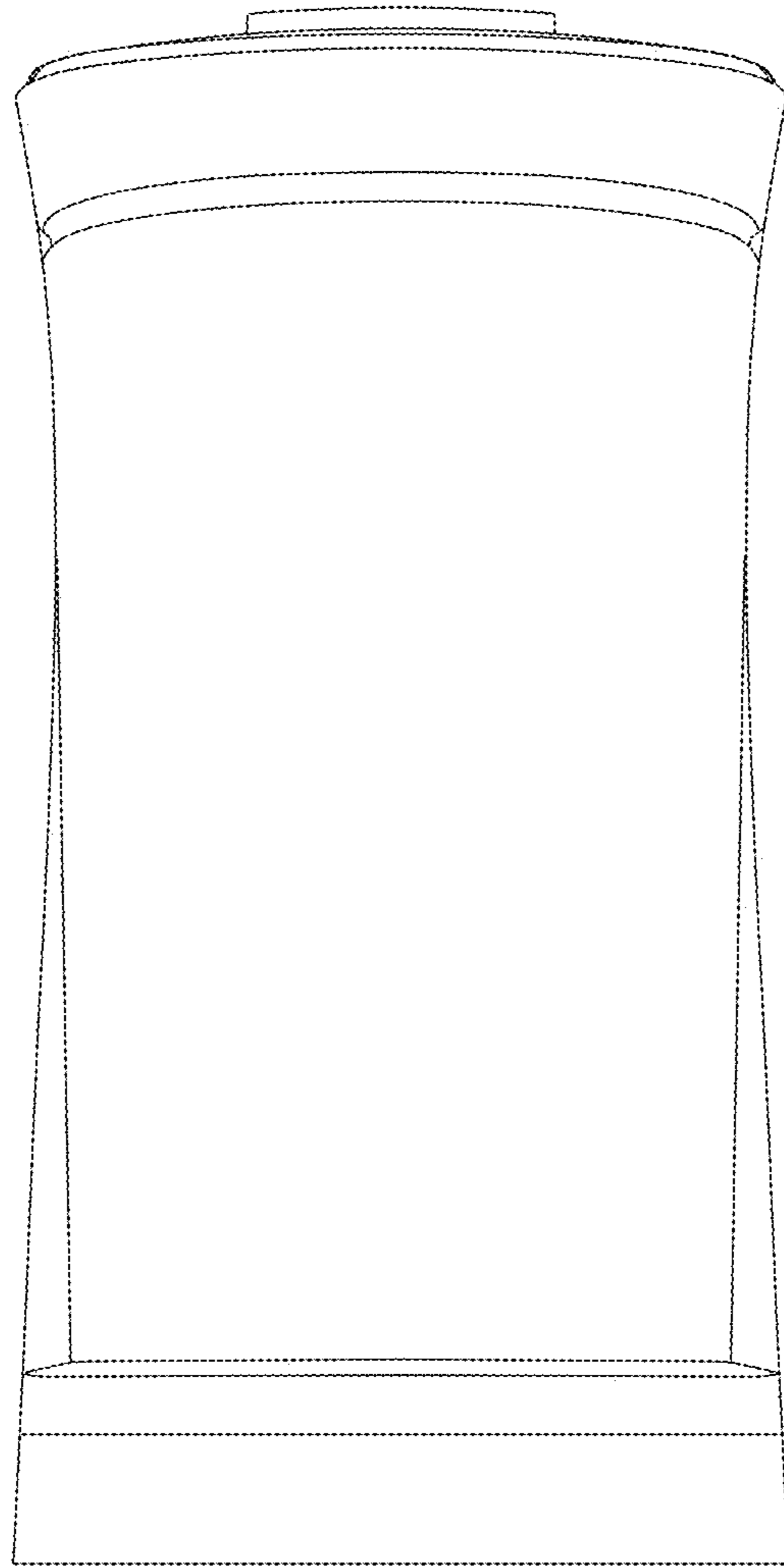


FIG. 3

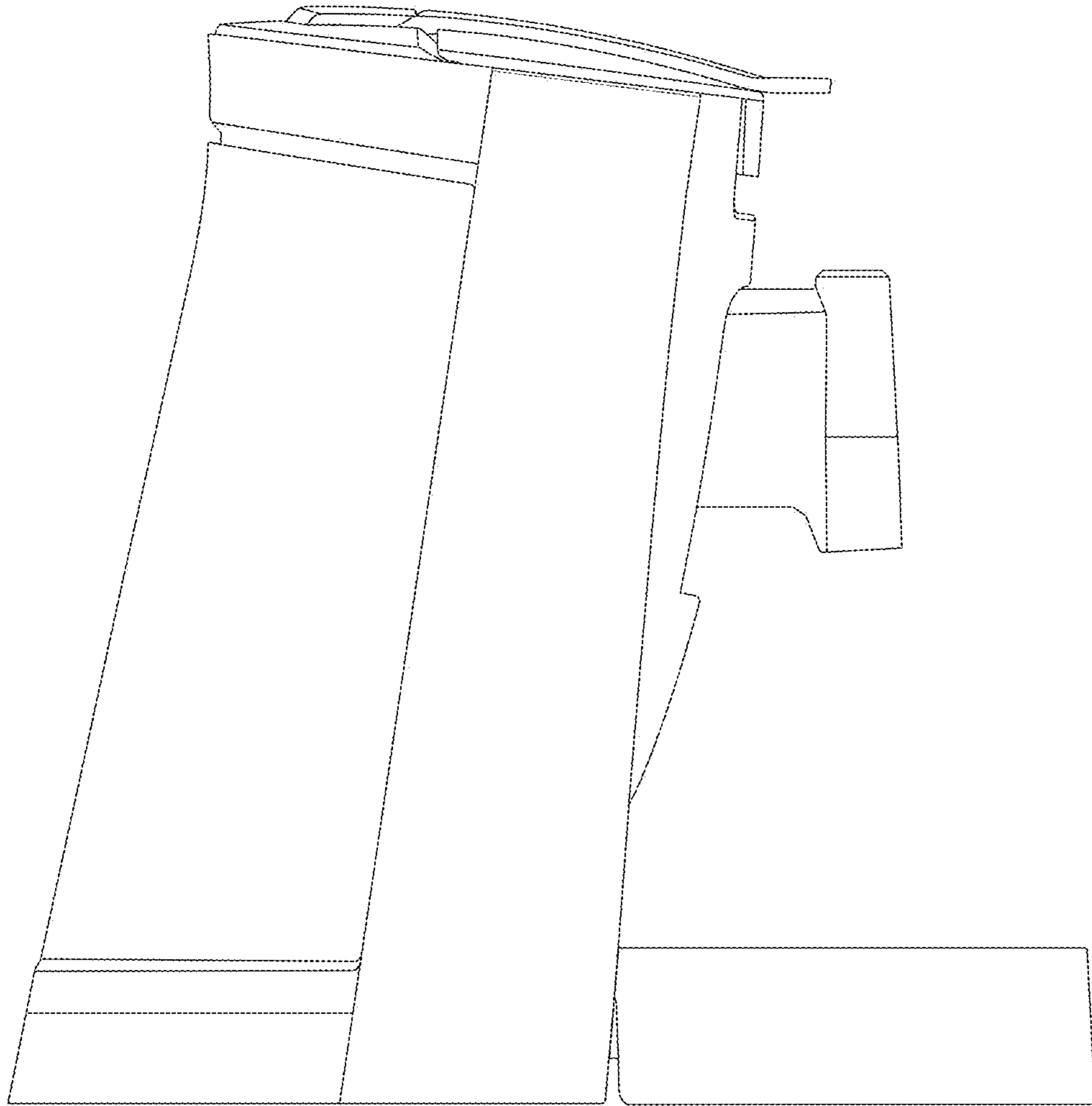


FIG. 4

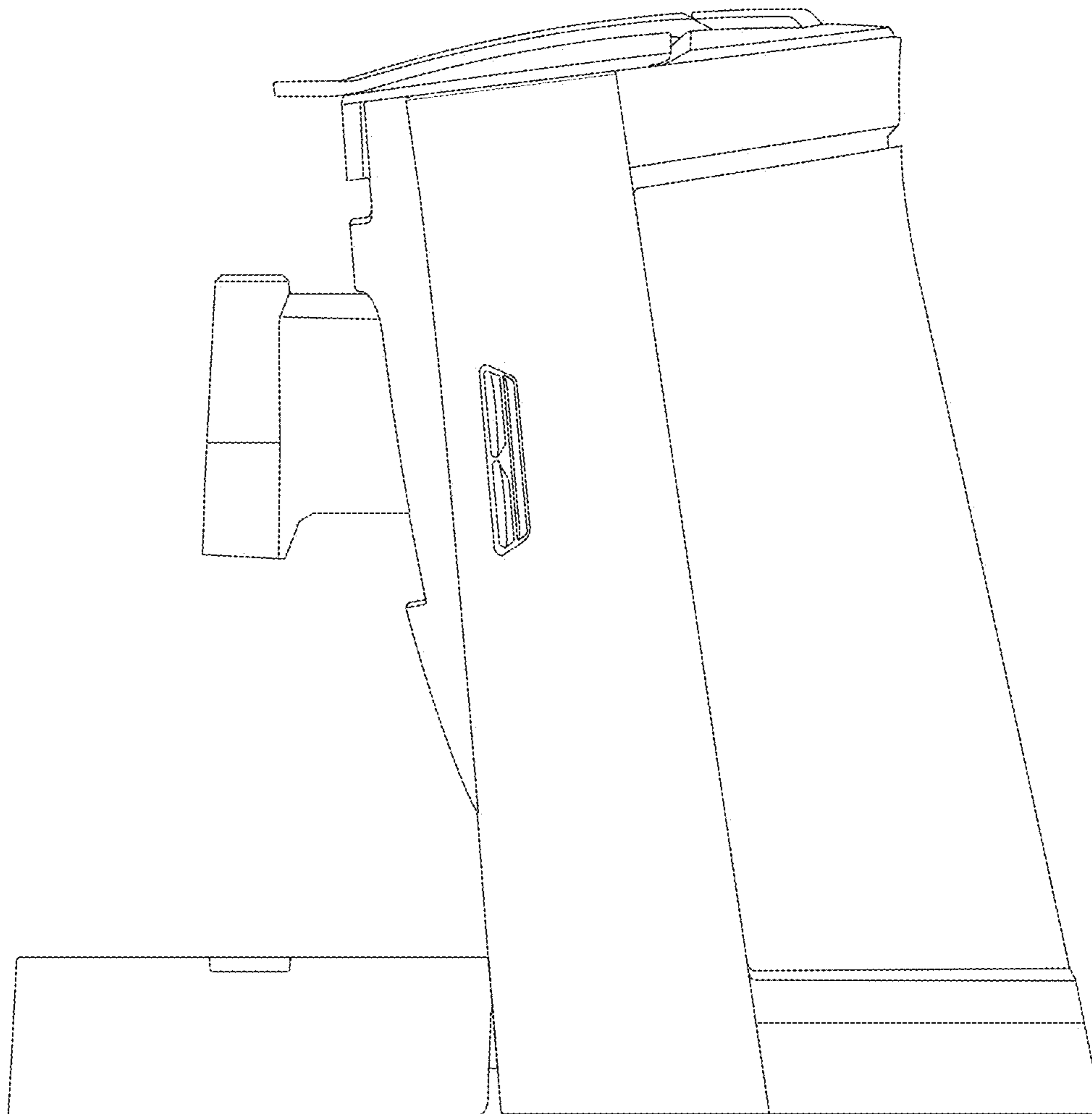


FIG. 5

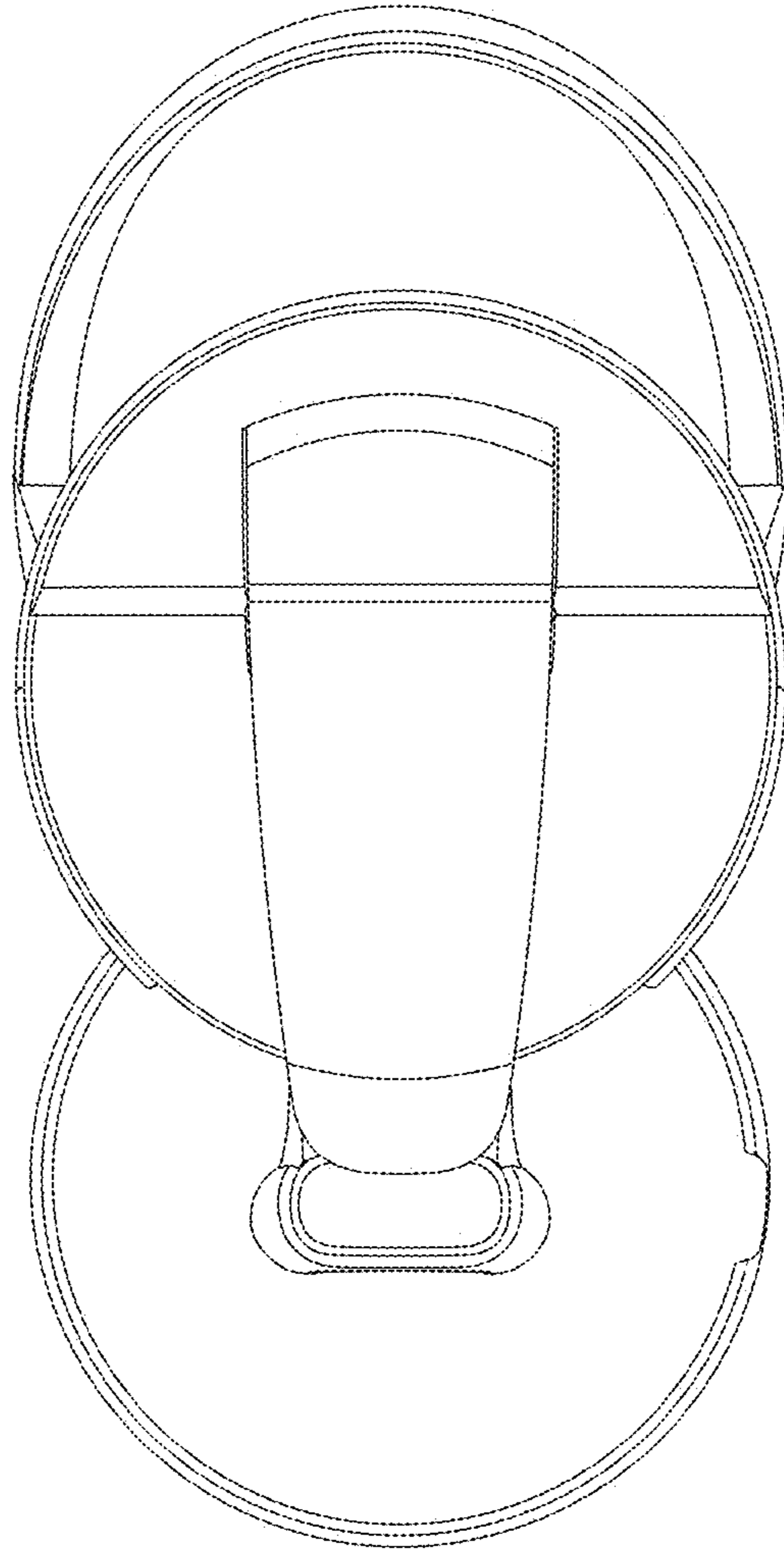


FIG. 6

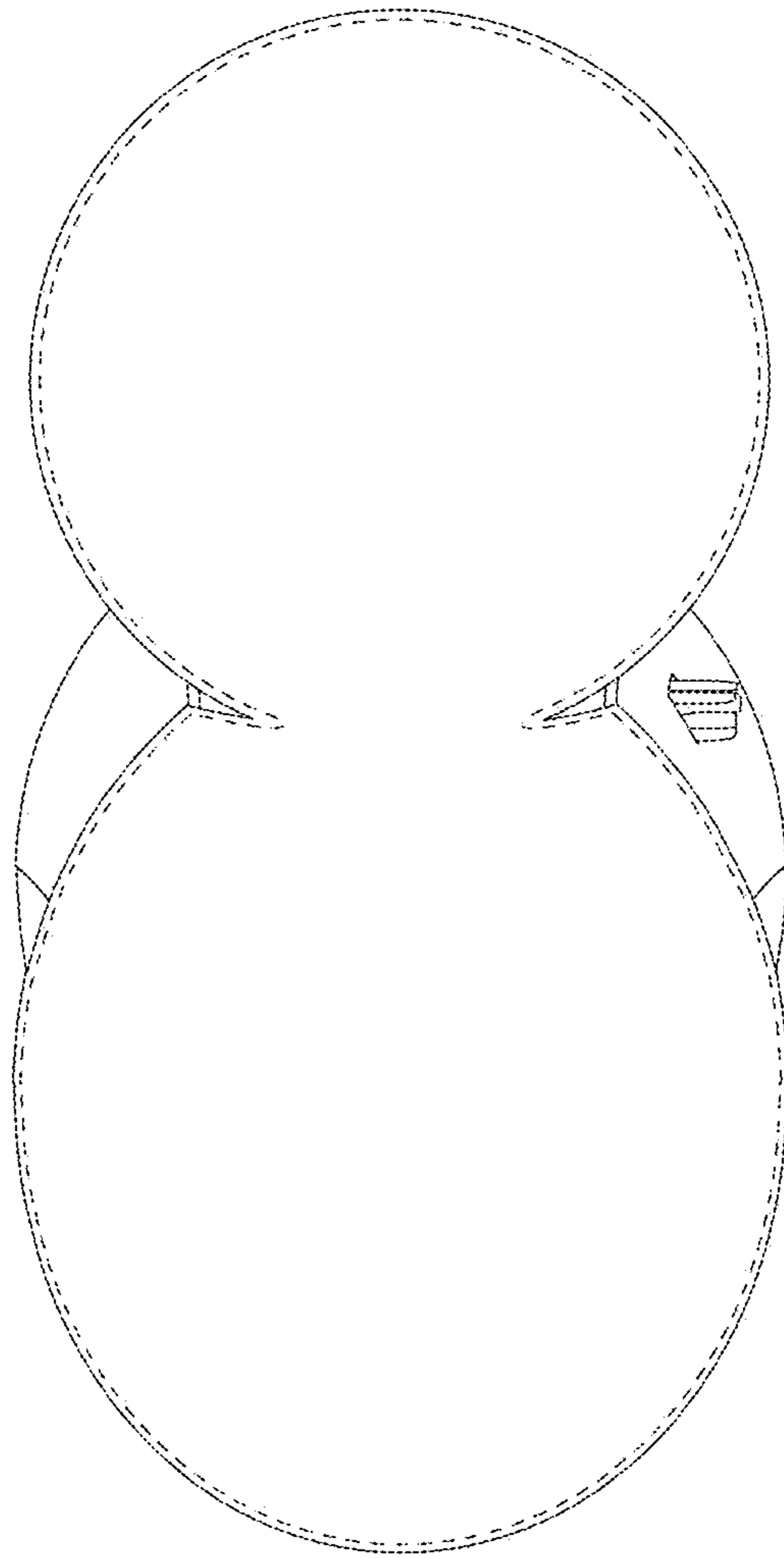


FIG. 7

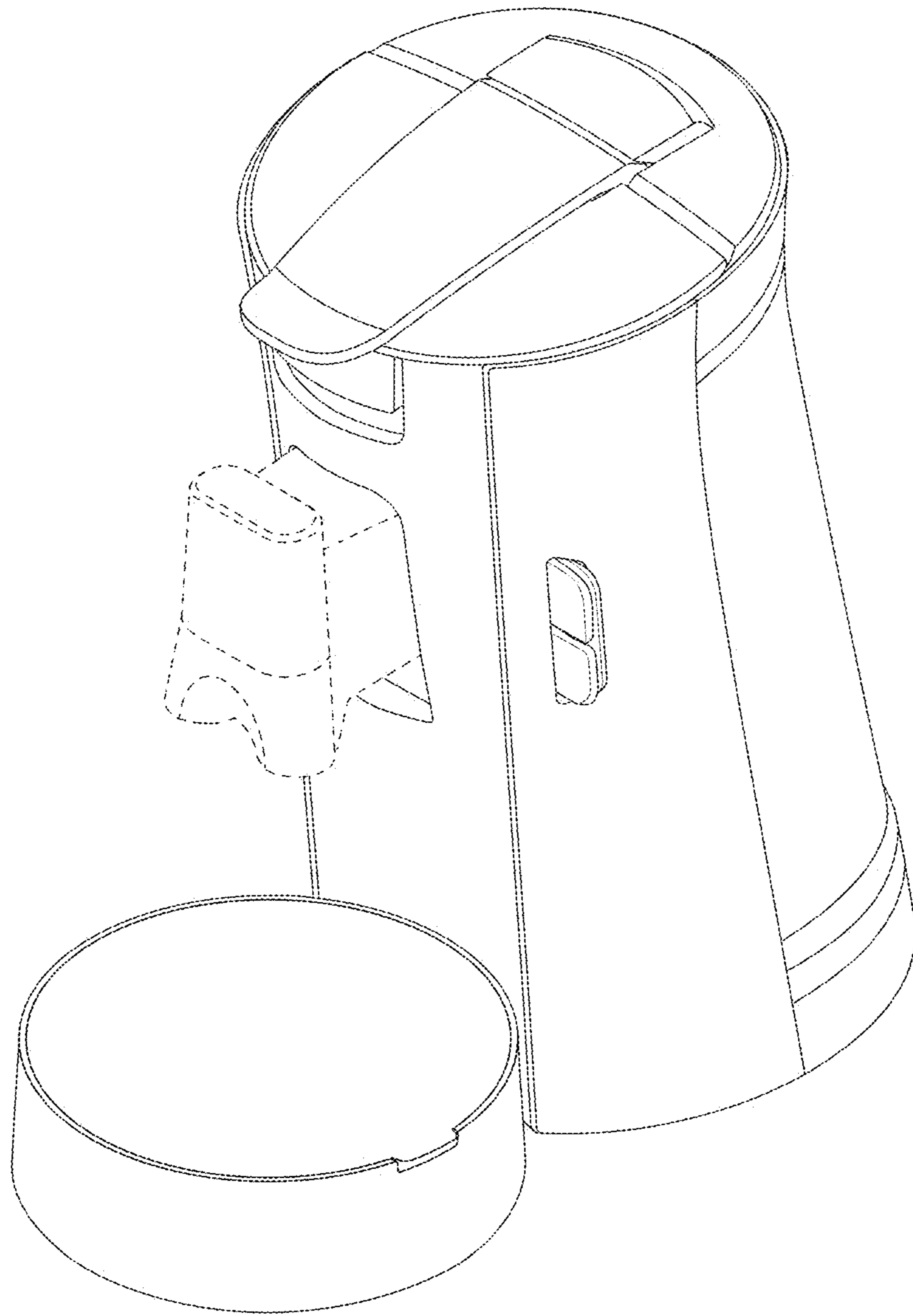


FIG. 8

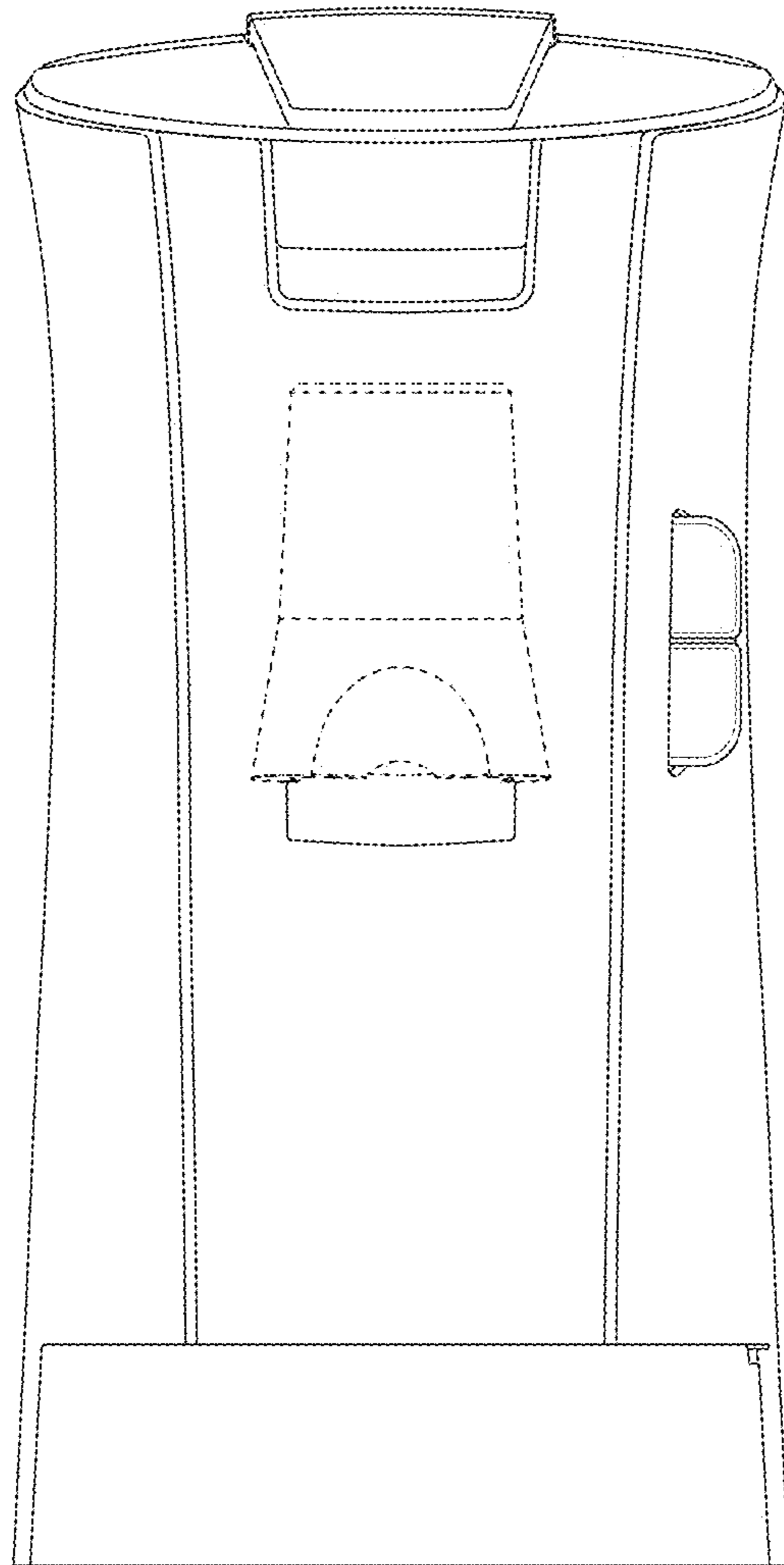


FIG. 9

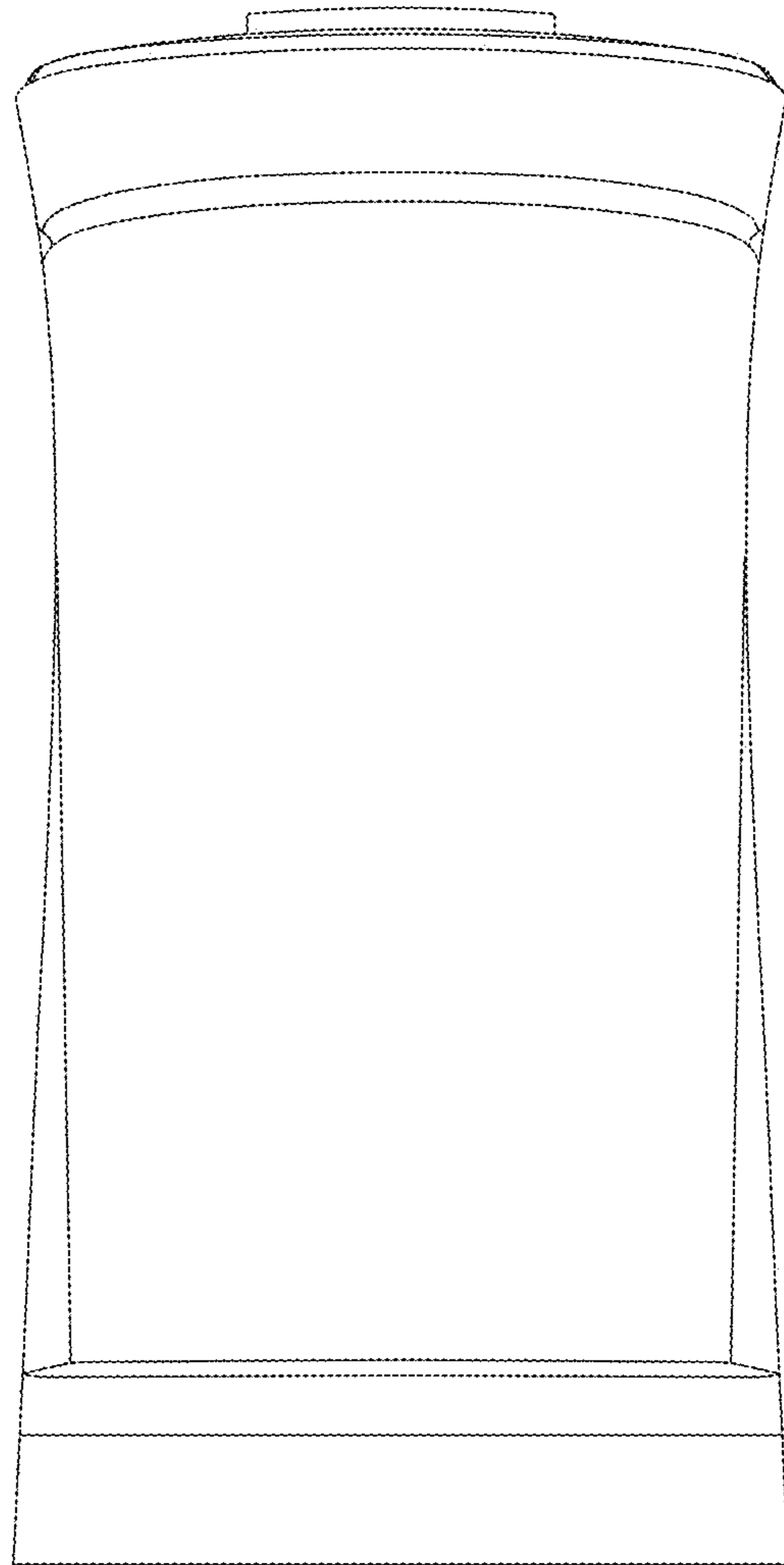


FIG. 10

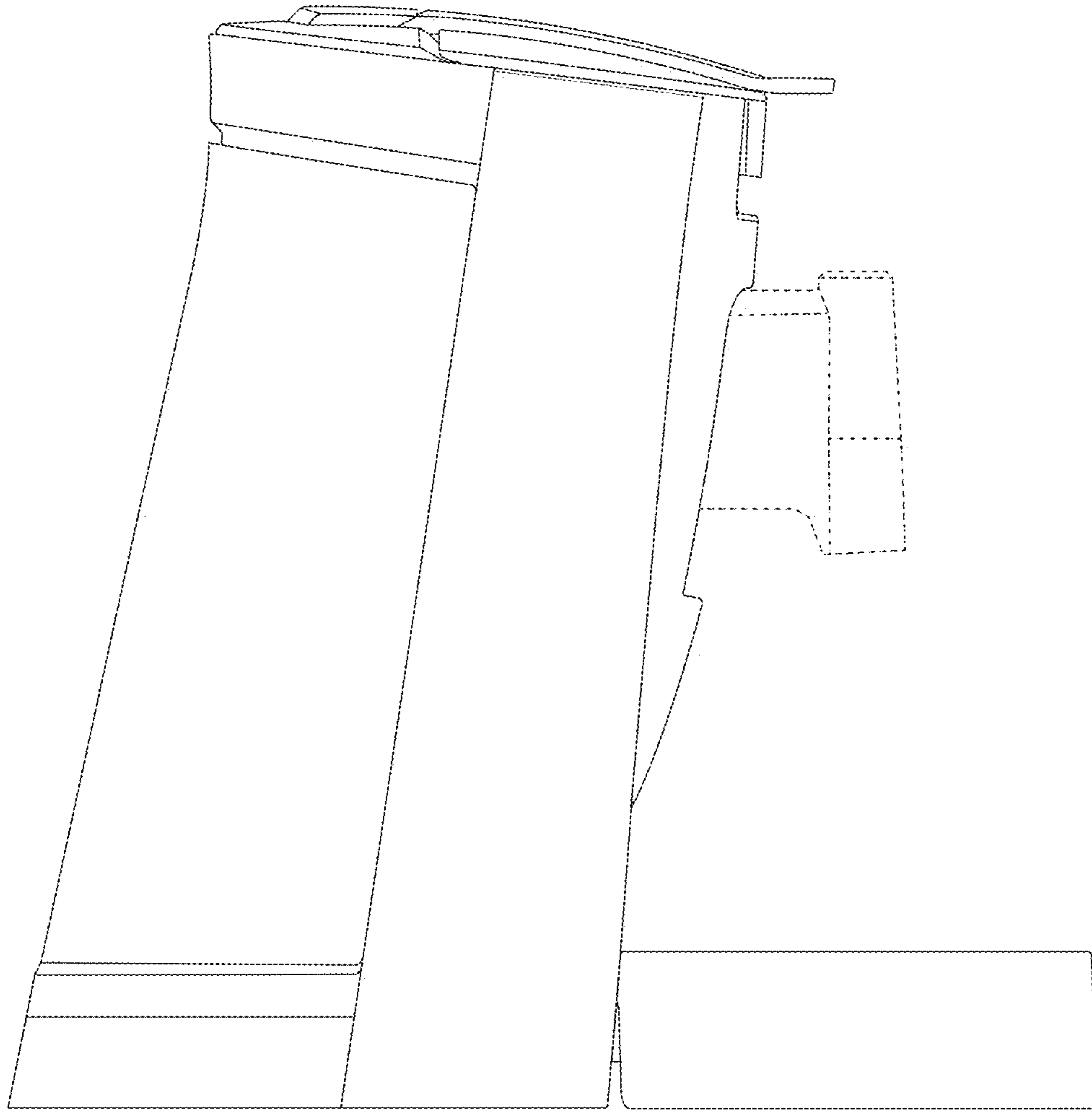


FIG. 11

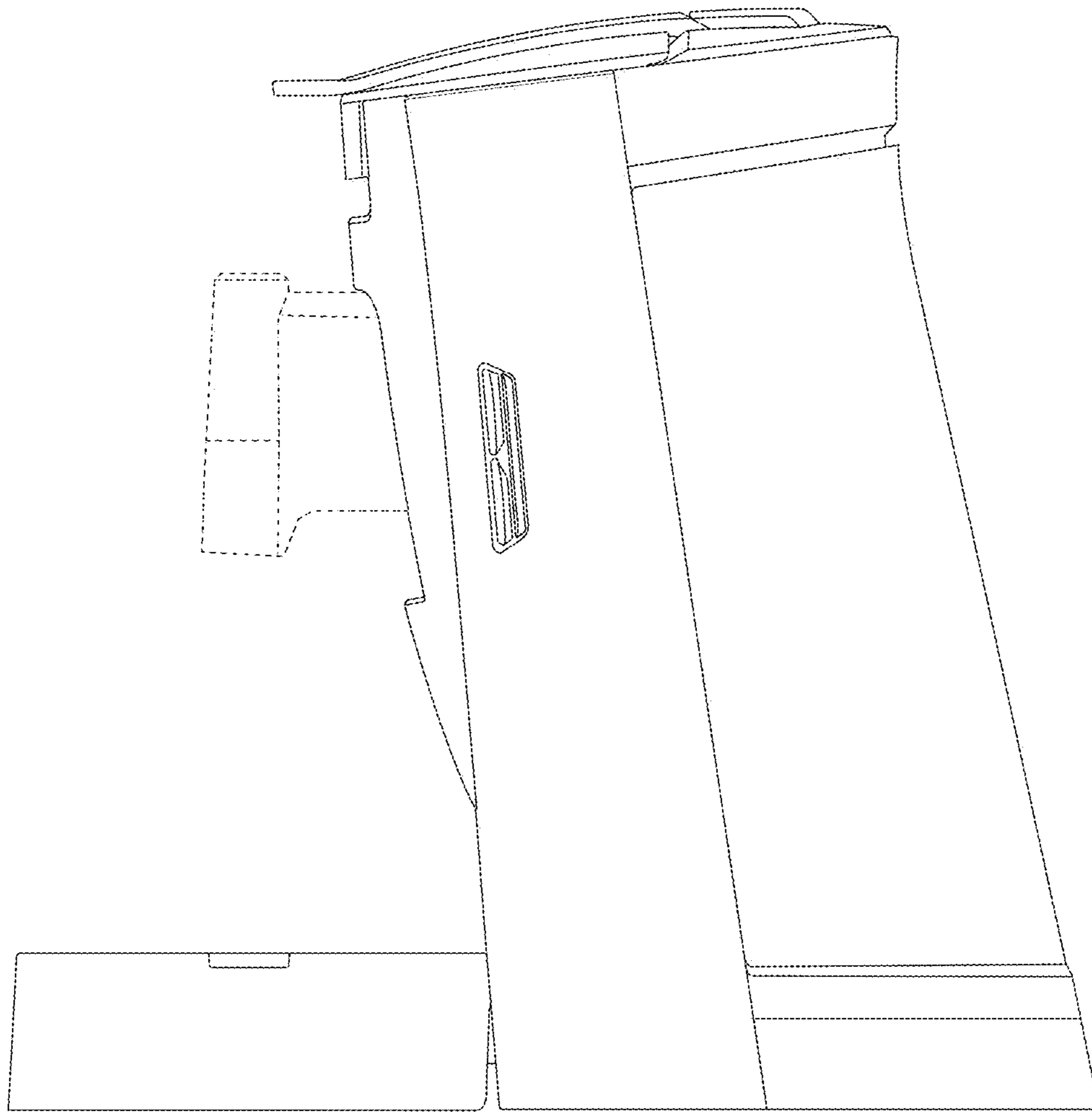


FIG. 12

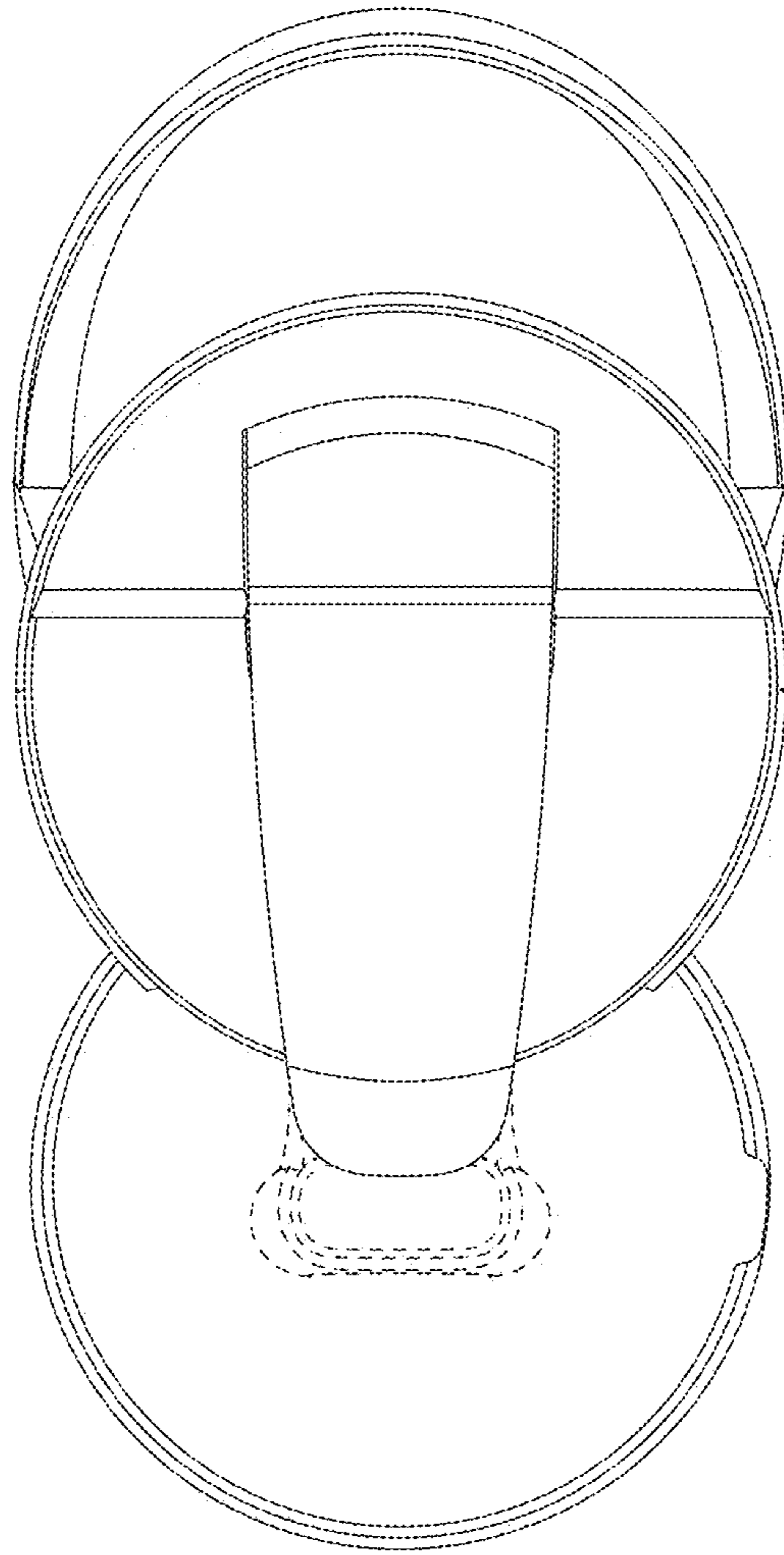


FIG. 13

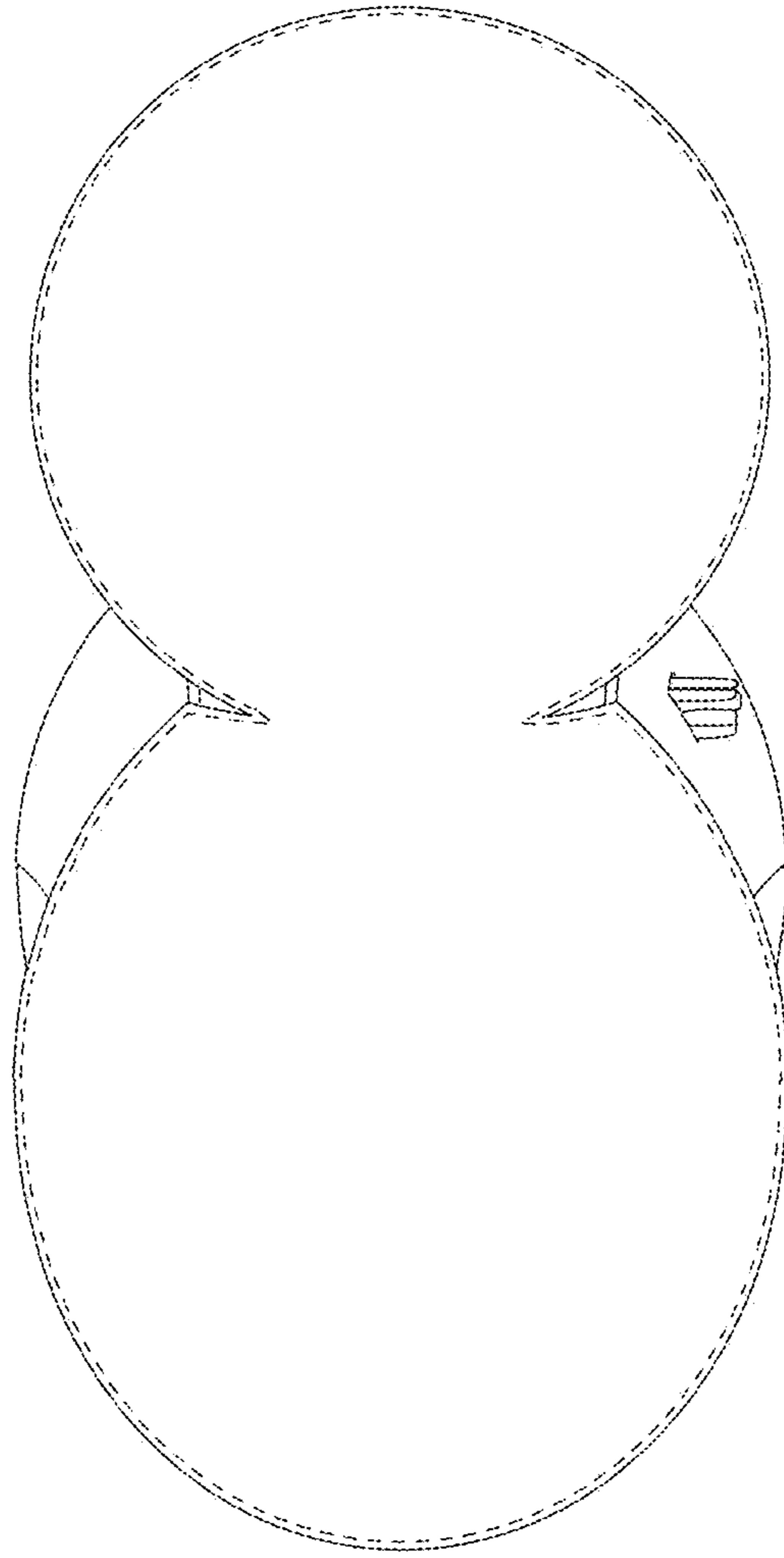


FIG. 14

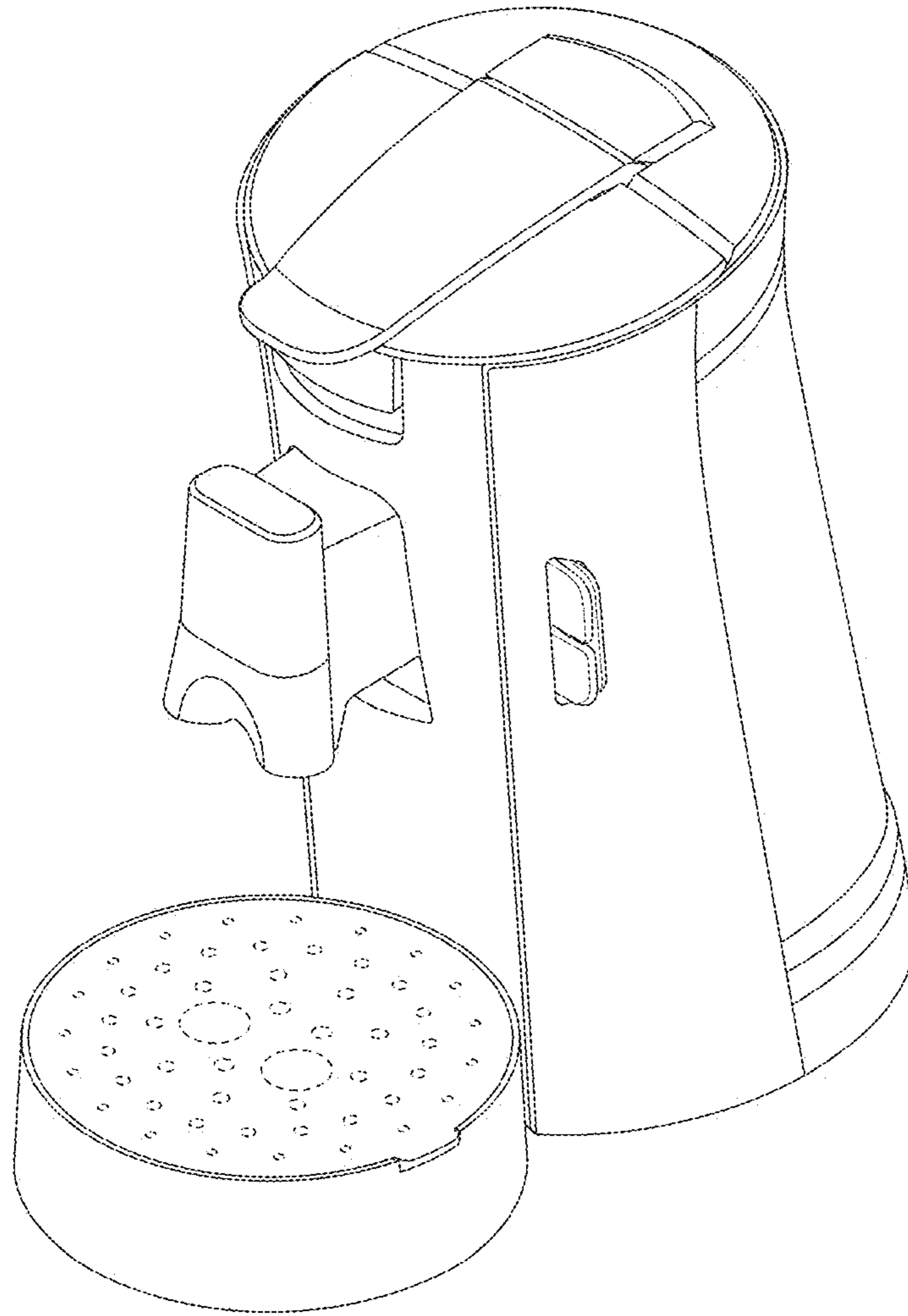


FIG. 15

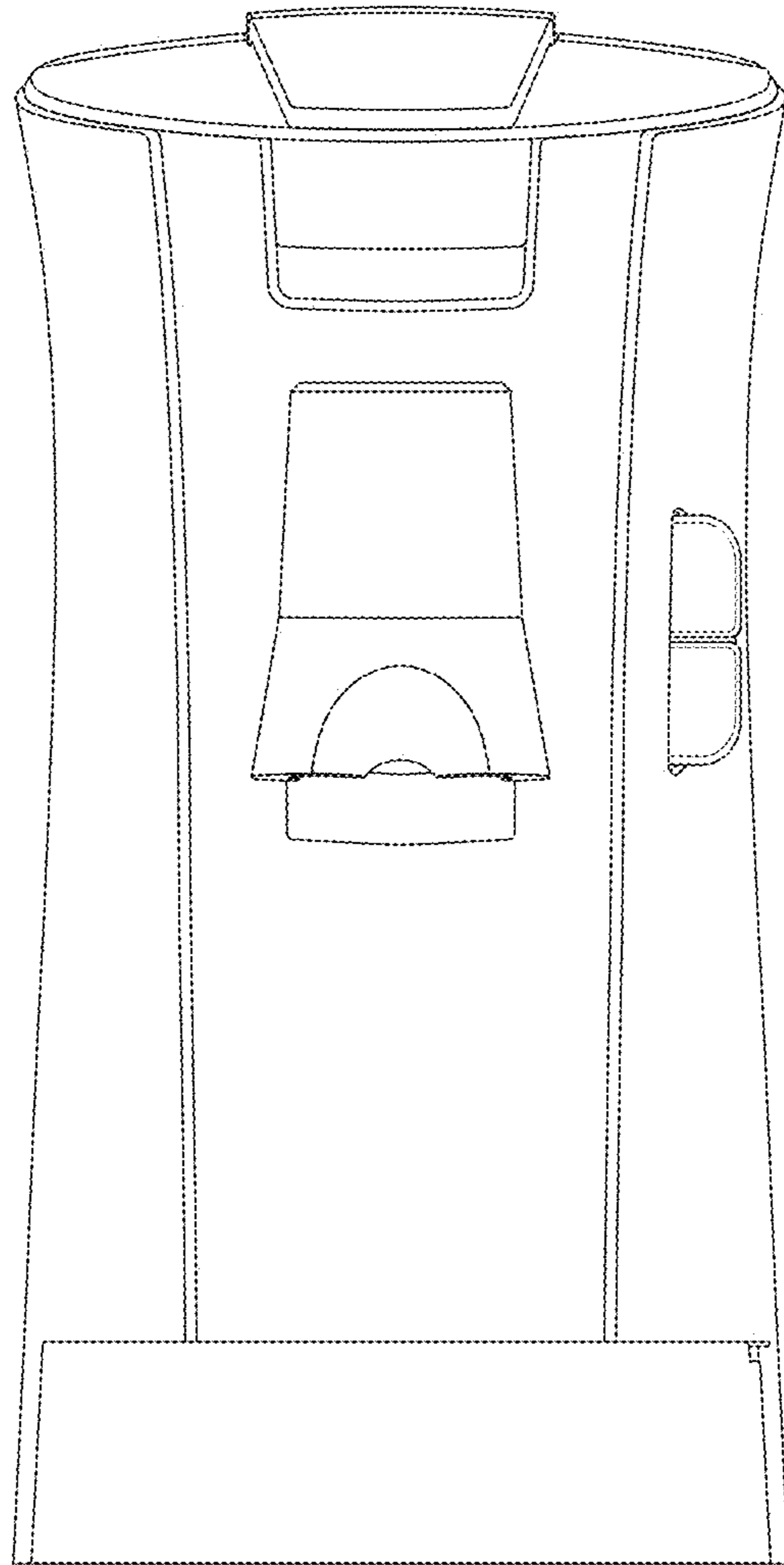


FIG. 16

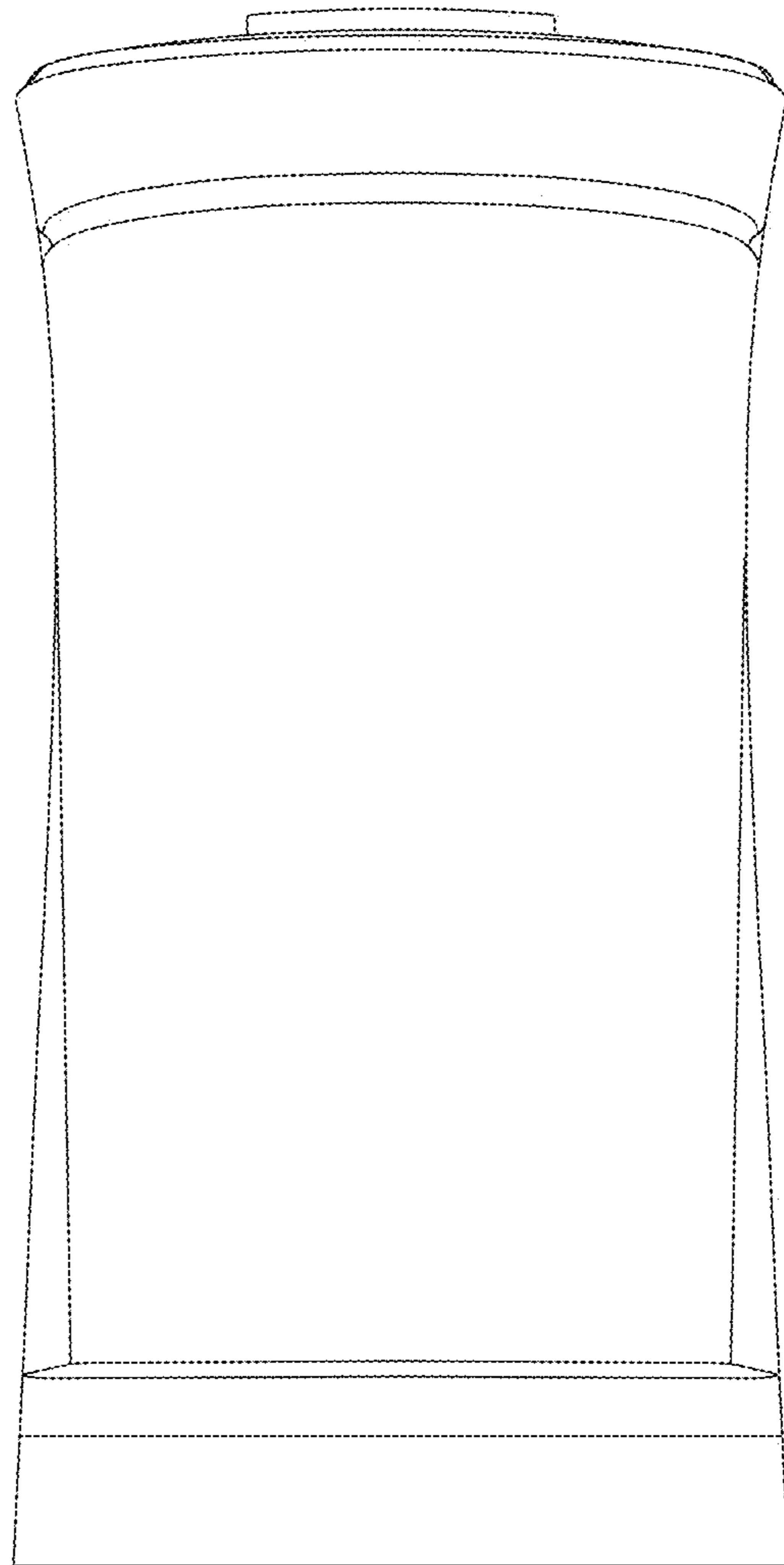


FIG. 17

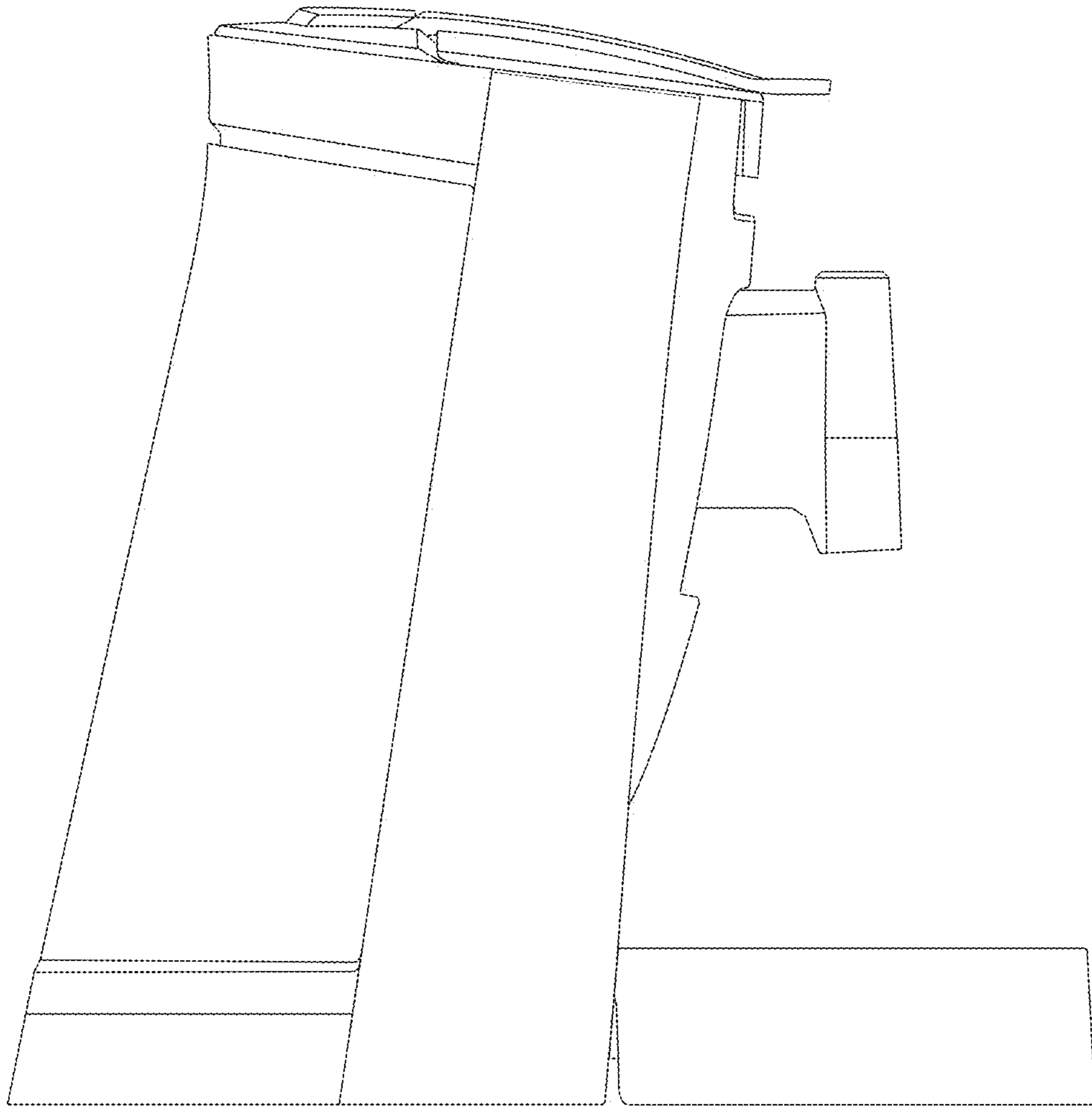


FIG. 18

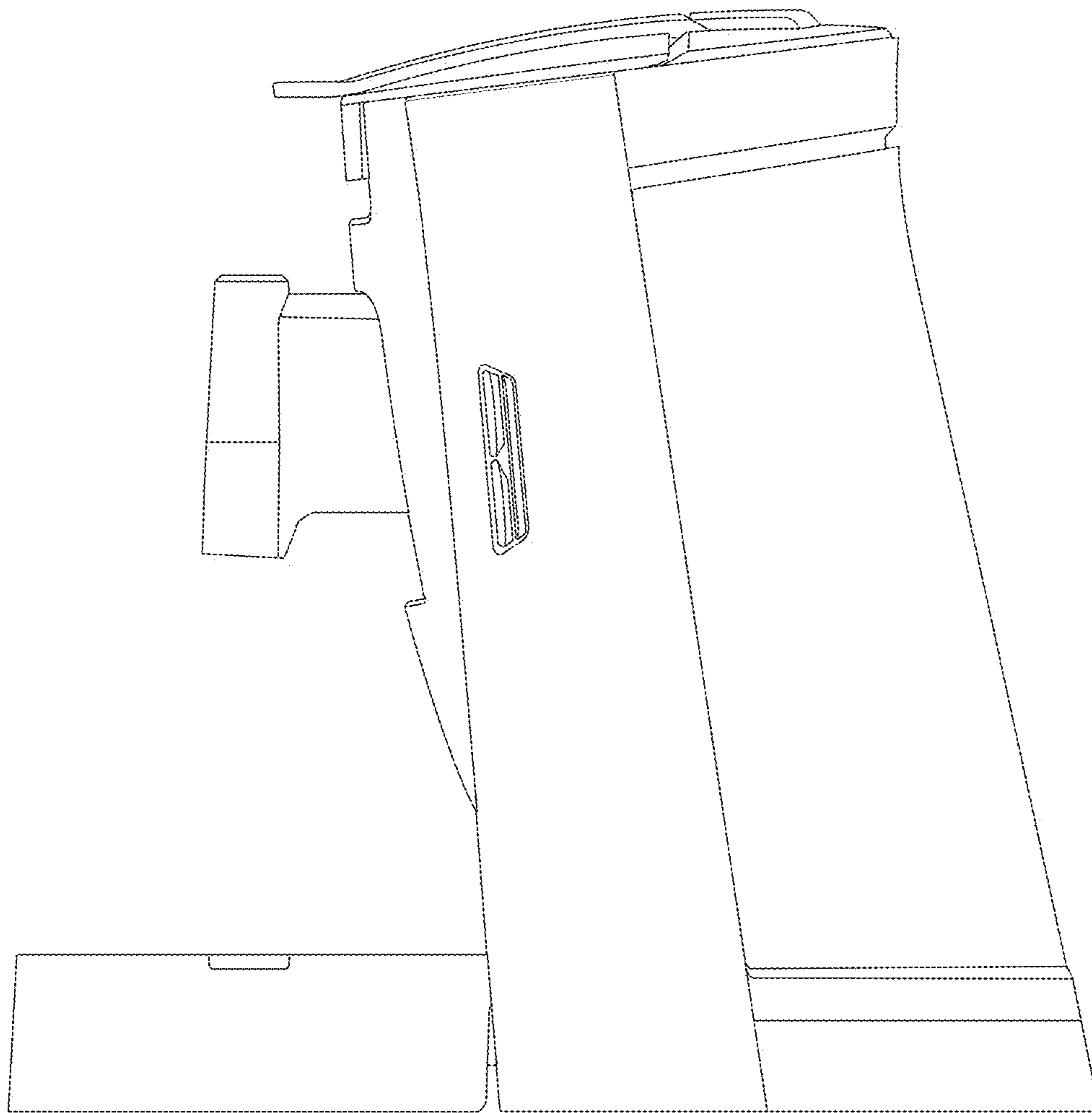


FIG. 19

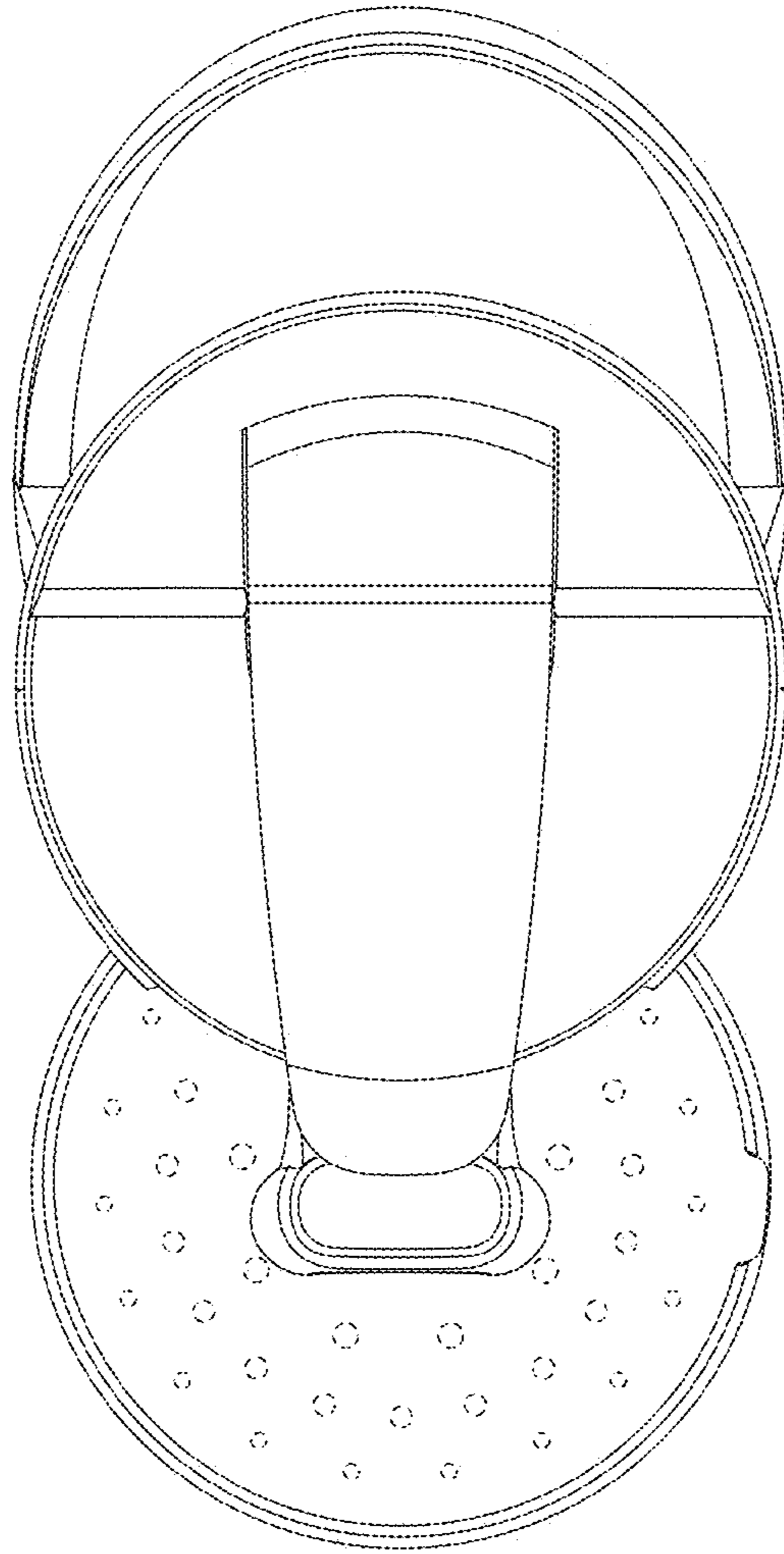


FIG. 20

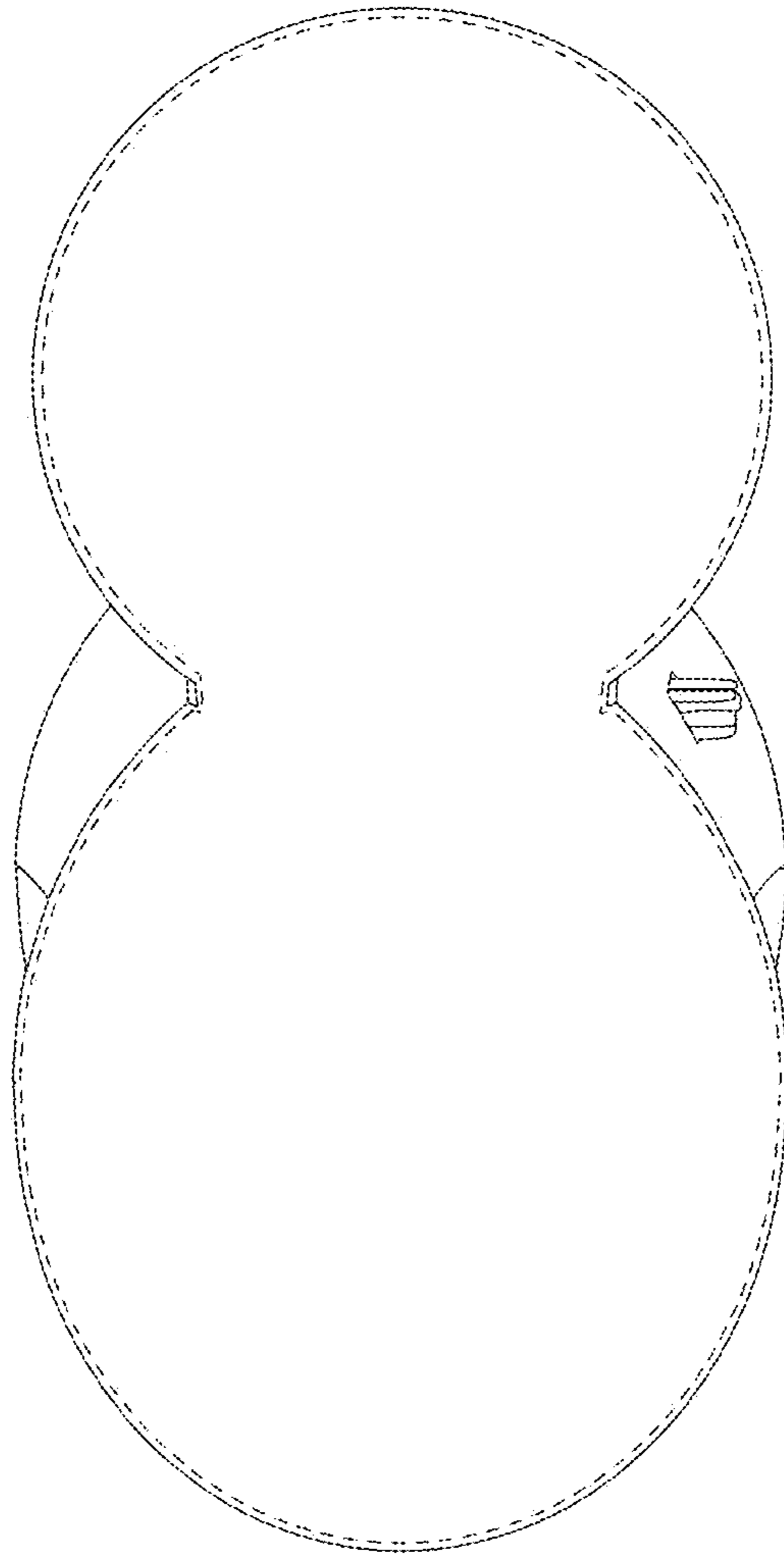


FIG. 21