



US00D988052S

(12) **United States Design Patent** (10) **Patent No.:** **US D988,052 S**
Lu (45) **Date of Patent:** **** Jun. 6, 2023**

(54) **GUARD RAIL FOR A BED**

FOREIGN PATENT DOCUMENTS

(71) Applicant: **Shanghai CasaMaxx Business Development Co., Ltd.**, Shanghai (CN)

CN 307240535 * 4/2022

(72) Inventor: **Zaoqi Lu**, Shanghai (CN)

OTHER PUBLICATIONS

(73) Assignee: **Shanghai CasaMaxx Business Development Co., Ltd.**, Shanghai (CN)

Cerlingwee Guard Rail, retrieved from amazon.co.uk, posting date Apr. 25, 2022, online, retrieved Dec. 7, 2022, URL:https://www.amazon.co.uk/Security-Toddler-Mattresses-Thickness-Children/dp/B09YTLGRHY (Year: 2022).*

(**) Term: **15 Years**

(Continued)

(21) Appl. No.: **29/856,386**

Primary Examiner — Mary Shannon Malley
Assistant Examiner — Michelle Marquart Christeon

(22) Filed: **Oct. 13, 2022**

(74) *Attorney, Agent, or Firm* — Jeenam Park

(30) **Foreign Application Priority Data**

(57) **CLAIM**

The ornamental design for a guard rail for a bed, as shown and described.

Oct. 11, 2022 (EM) 009202583-0001

DESCRIPTION

(51) **LOC (14) Cl.** **06-06**

(52) **U.S. Cl.**
USPC **D6/718.3**

(58) **Field of Classification Search**
USPC D6/382-385, 390, 391, 392, 718, 718.3
CPC A61G 7/00; A61G 7/005; A61G 7/015;
A61G 7/0506; A61G 7/0507; A61G
7/0513; A47C 21/08; A47C 19/005;
A47D 7/02; A47D 15/008

See application file for complete search history.

FIG. 1 is a rear, right and top perspective view of a guard rail for a bed, showing my new design;
FIG. 2 is a front, left and top perspective view thereof;
FIG. 3 is a front view thereof;
FIG. 4 is a rear view thereof;
FIG. 5 is a left side view thereof;
FIG. 6 is a right side view thereof;
FIG. 7 is a top plan view thereof;
FIG. 8 is a bottom plan view thereof;
FIG. 9 is a perspective view, showing the article in an in use configuration thereof;
FIG. 10 is an enlarged view thereof, taken from region 10 indicated on FIG. 1; and,
FIG. 11 is another enlarged view thereof, taken from region 11 indicated on FIG. 1.

(56) **References Cited**

U.S. PATENT DOCUMENTS

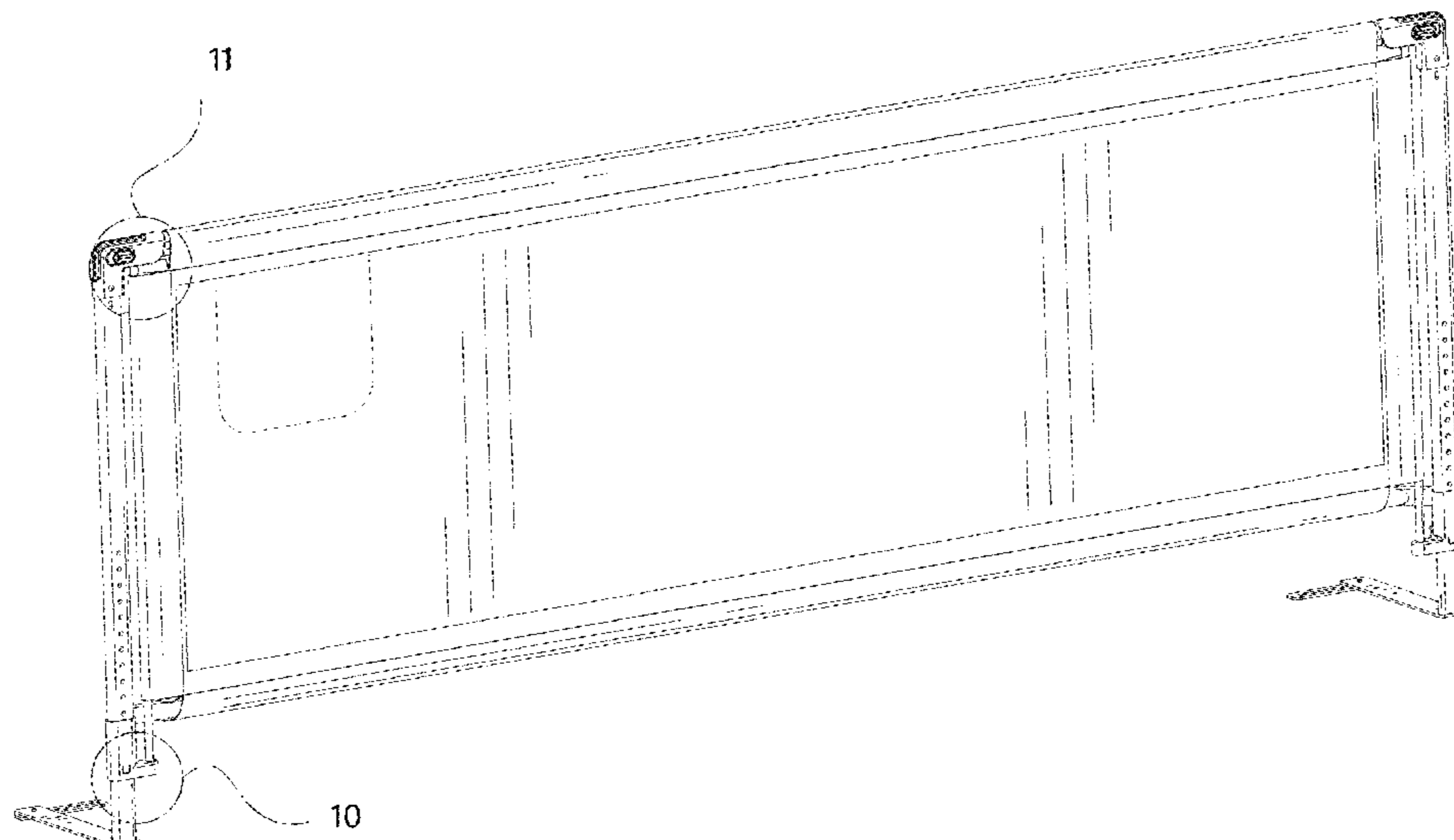
D317,098 S * 5/1991 Shuler D6/718.3
D362,571 S * 9/1995 Quinones D6/718.3
D365,476 S * 12/1995 Bernstein D6/718.3
5,671,490 A * 9/1997 Wu A61G 7/0507
5/426

D549,019 S 8/2007 Jannetides, Sr.
D549,020 S 8/2007 Jannetides, Sr.
9,387,141 B1 * 7/2016 Flannery A61G 7/0507

(Continued)

The long-dash short-dash broken lines in FIGS. 10 and 11 represents the bounds of the enlargement taken from FIG. 1 and forms no part of the claimed design. The dash-dash broken. lines illustrate portions of the guard rail for a bed that form no part of the claimed design.

1 Claim, 11 Drawing Sheets



(56)

References Cited

U.S. PATENT DOCUMENTS

D953,788 S * 6/2022 Zhao D6/718.3
2004/0250347 A1 * 12/2004 Brewin A61G 7/051
5/426
2009/0172880 A1 * 7/2009 Wu A47C 21/08
5/425
2011/0179569 A1 * 7/2011 Hayano A47D 15/008
5/426
2012/0084915 A1 * 4/2012 Flannery A47D 7/02
5/426
2012/0102642 A1 * 5/2012 Flannery A61G 7/051
5/426

OTHER PUBLICATIONS

Agimoli Baby Bed Rail, retrieved from amazon.com, posting date
Oct. 19, 2022, online, retrieved Mar. 27, 2023, URL:<https://www.amazon.com/AGIMOLI-Y-Strap-Toddlers-Guardrail-Reinforce/dp/B0BJP5HPDJ> (Year: 2022).*

Honey Joy Baby Bed Rail, retrieved from amazon.com, posting date
Apr. 11, 2022, online, retrieved Mar. 27, 2023, URL:<https://www.amazon.com/HONEY-JOY-Toddlers-Portable-Guardrail/dp/B09XMGG3KF?th=1> (Year: 2022).*

* cited by examiner

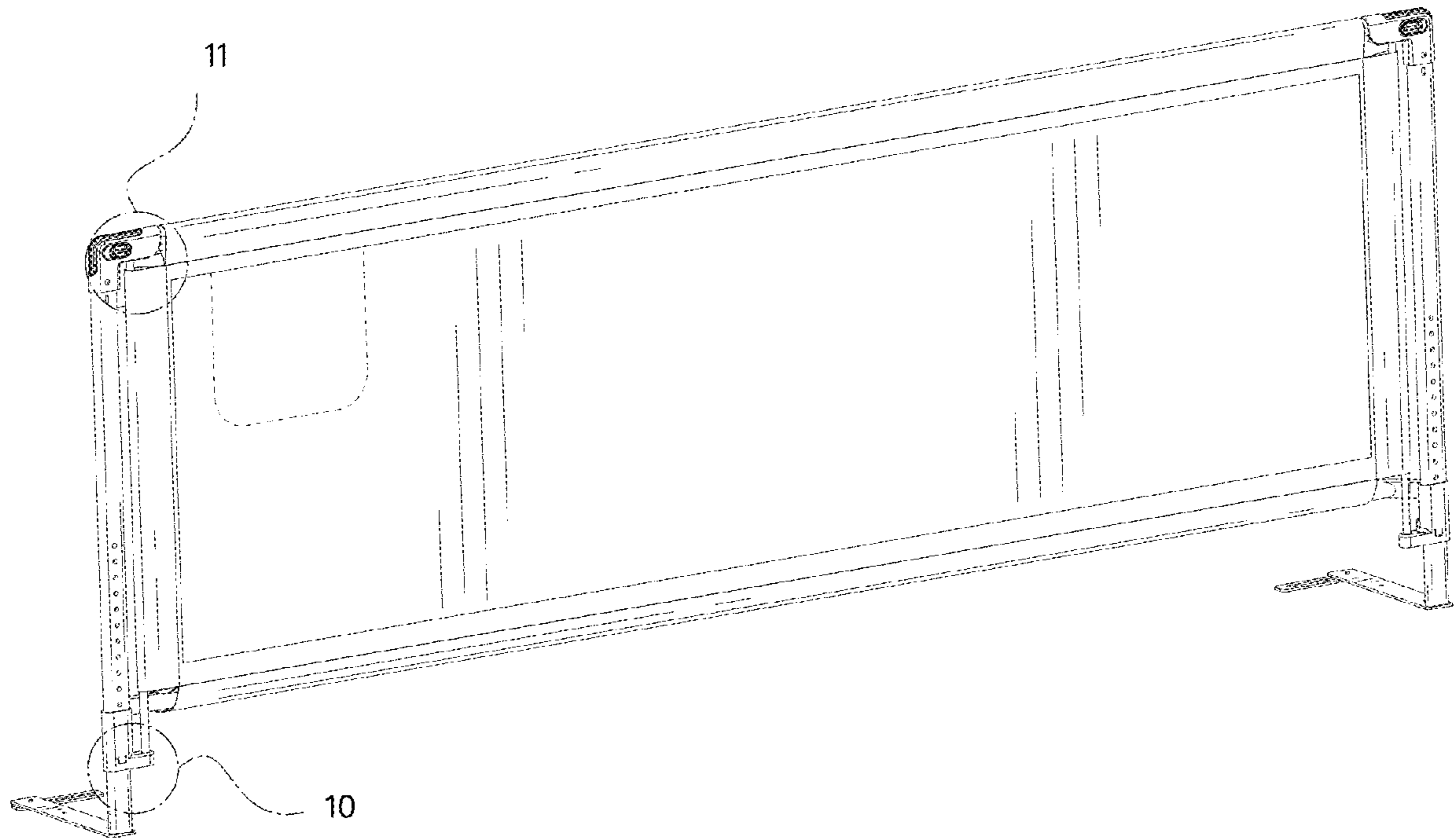


FIG. 1

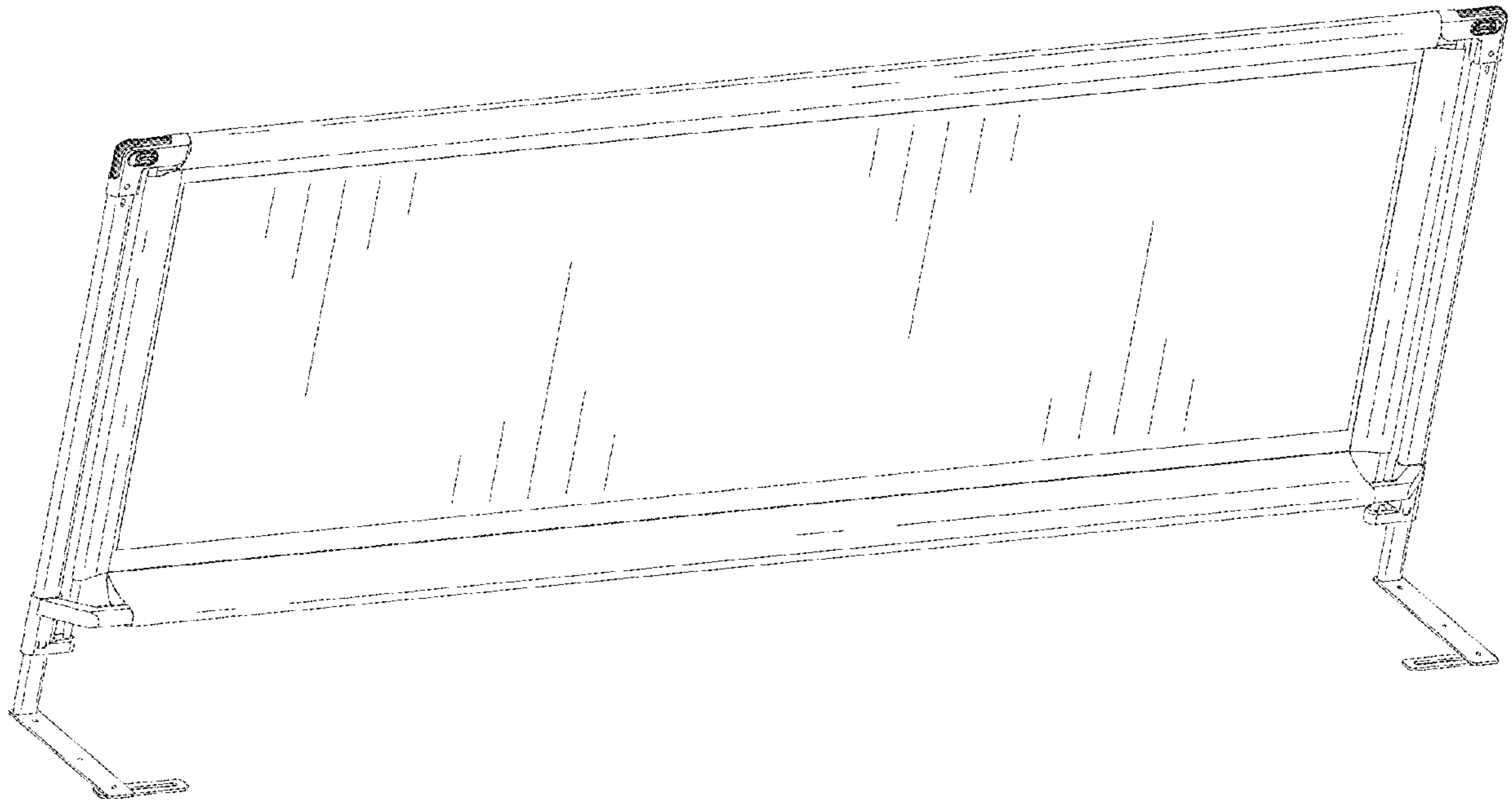


FIG. 2

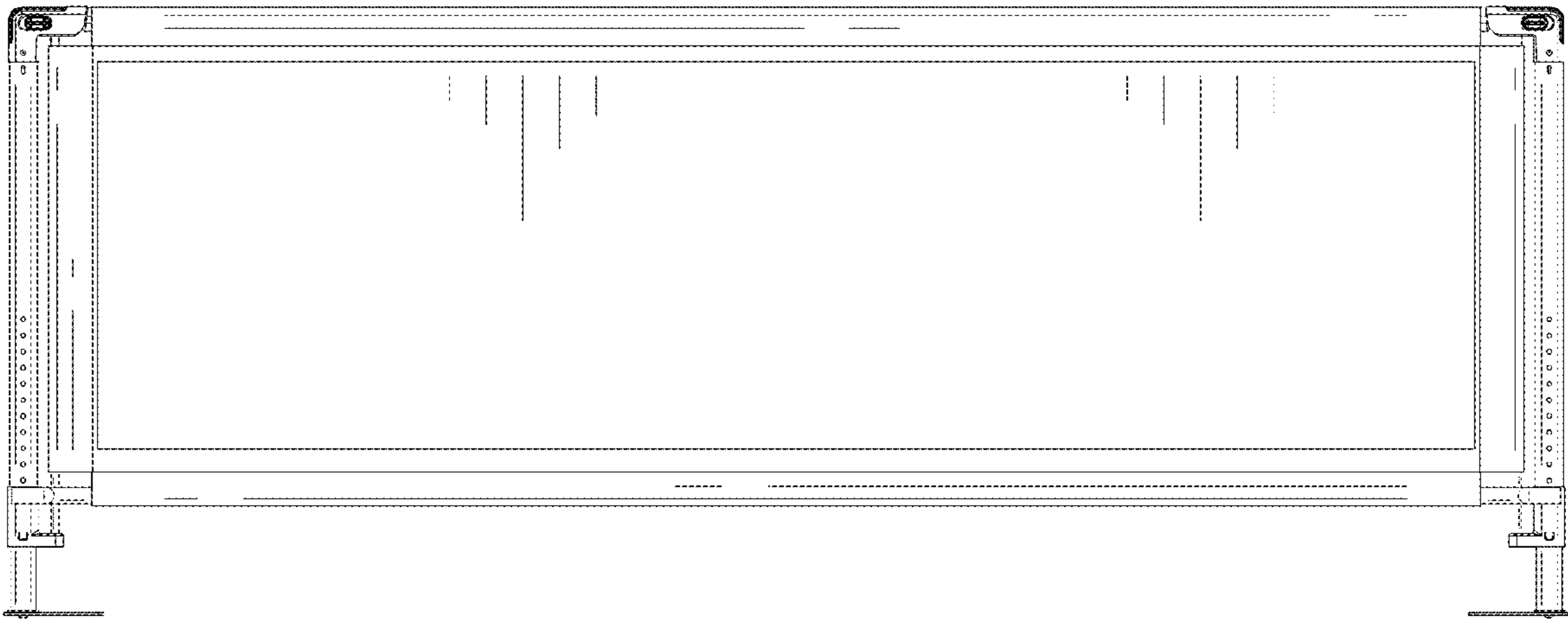


FIG. 3

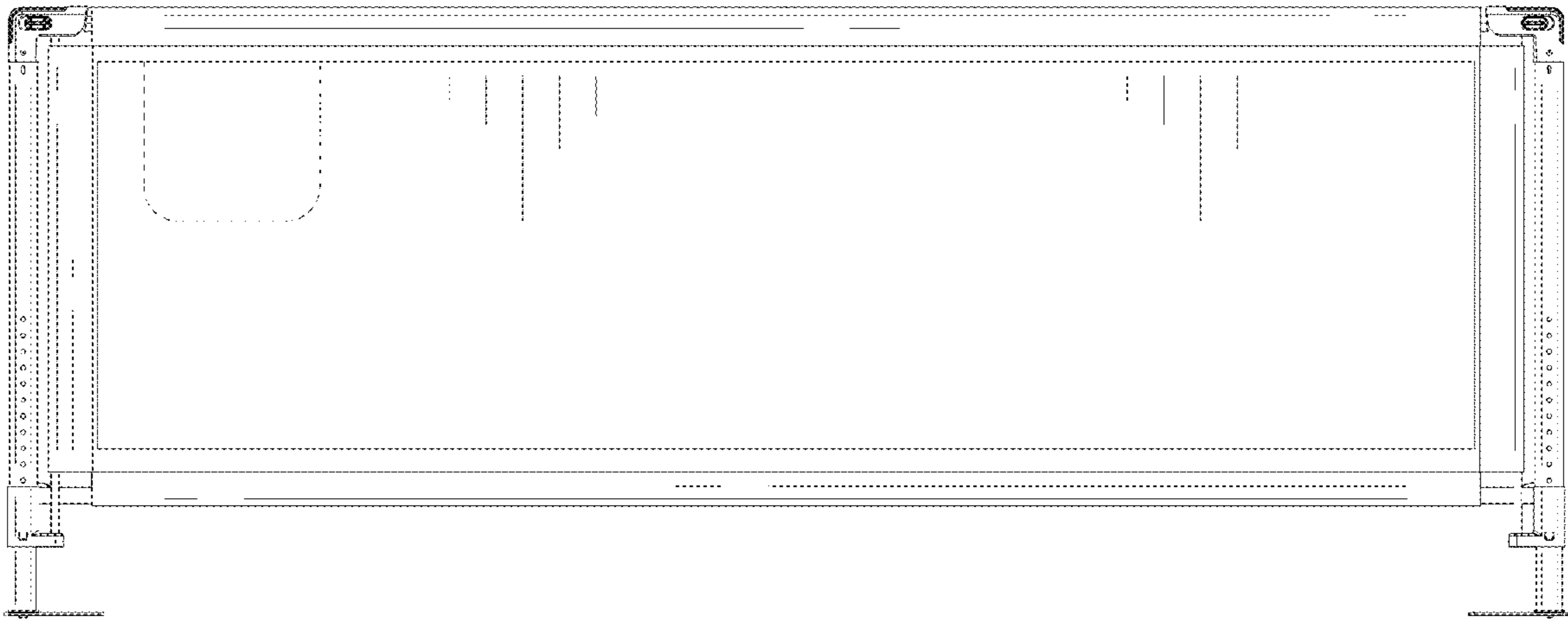


FIG. 4

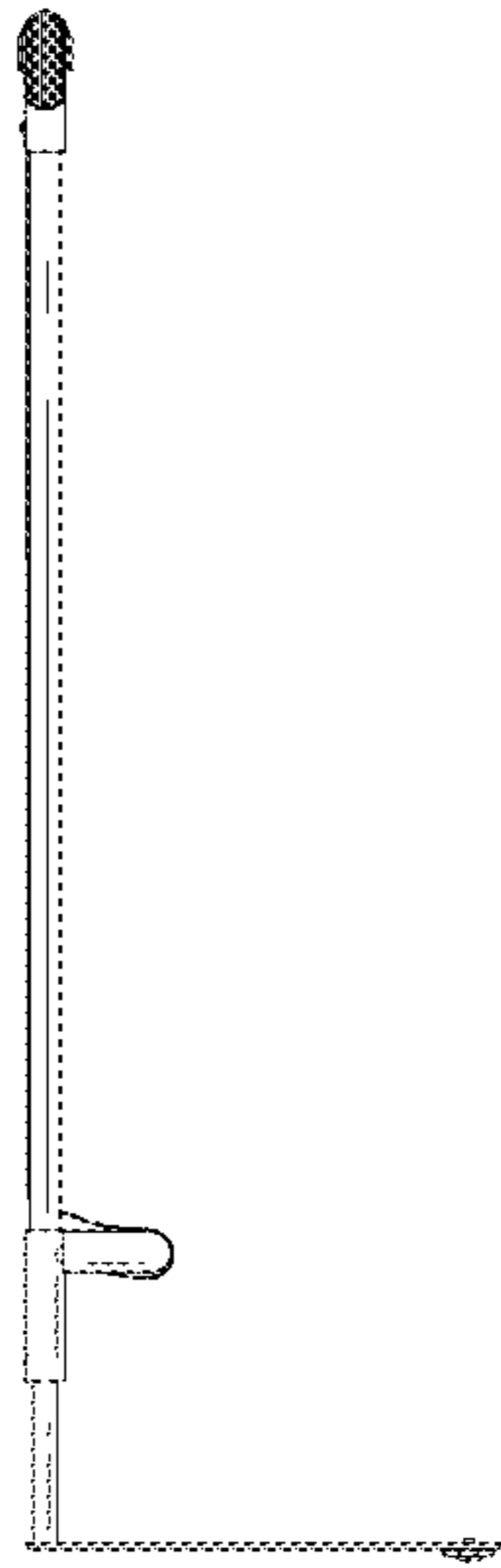


FIG. 5

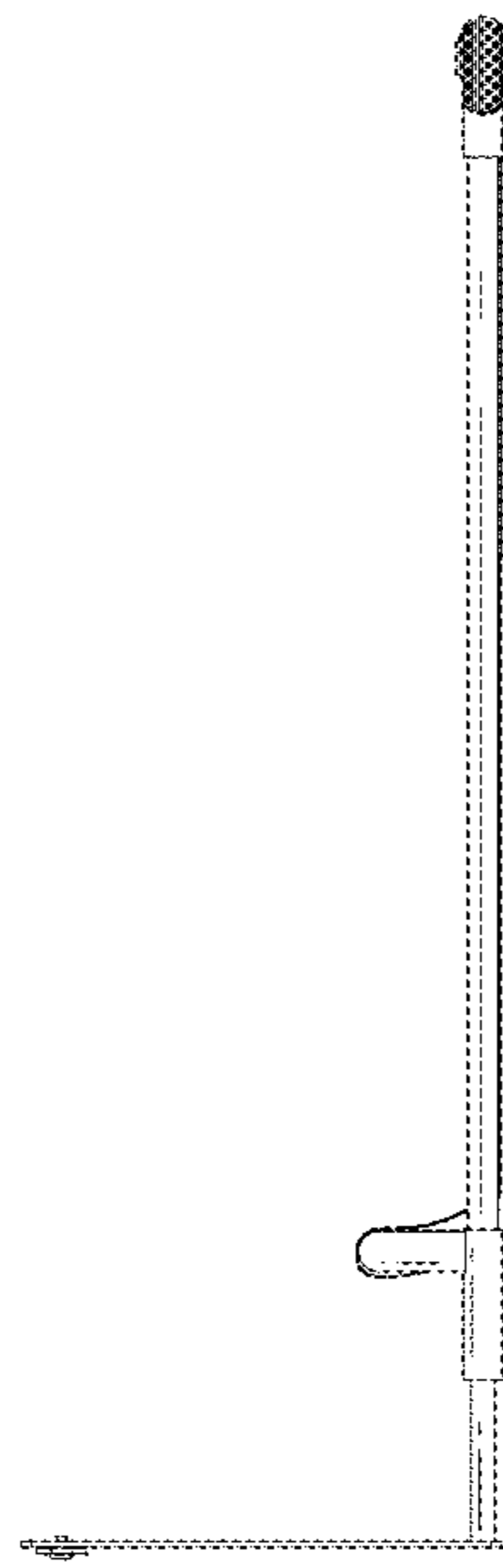


FIG. 6

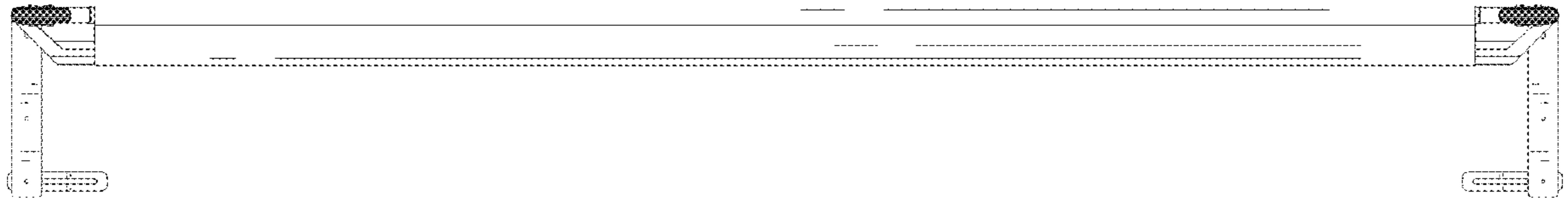


FIG. 7

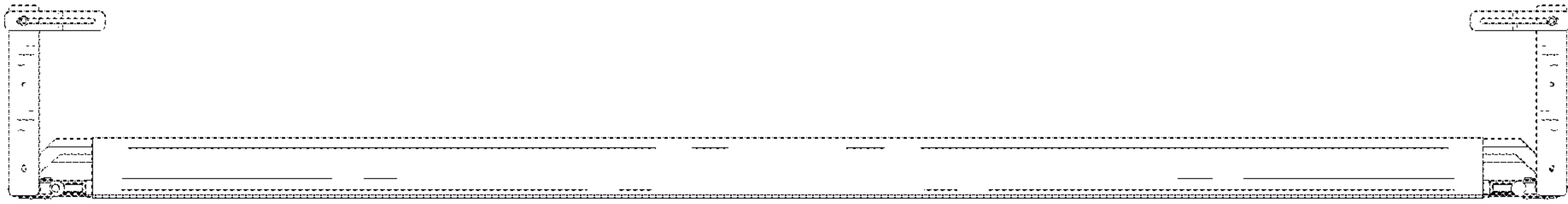


FIG. 8

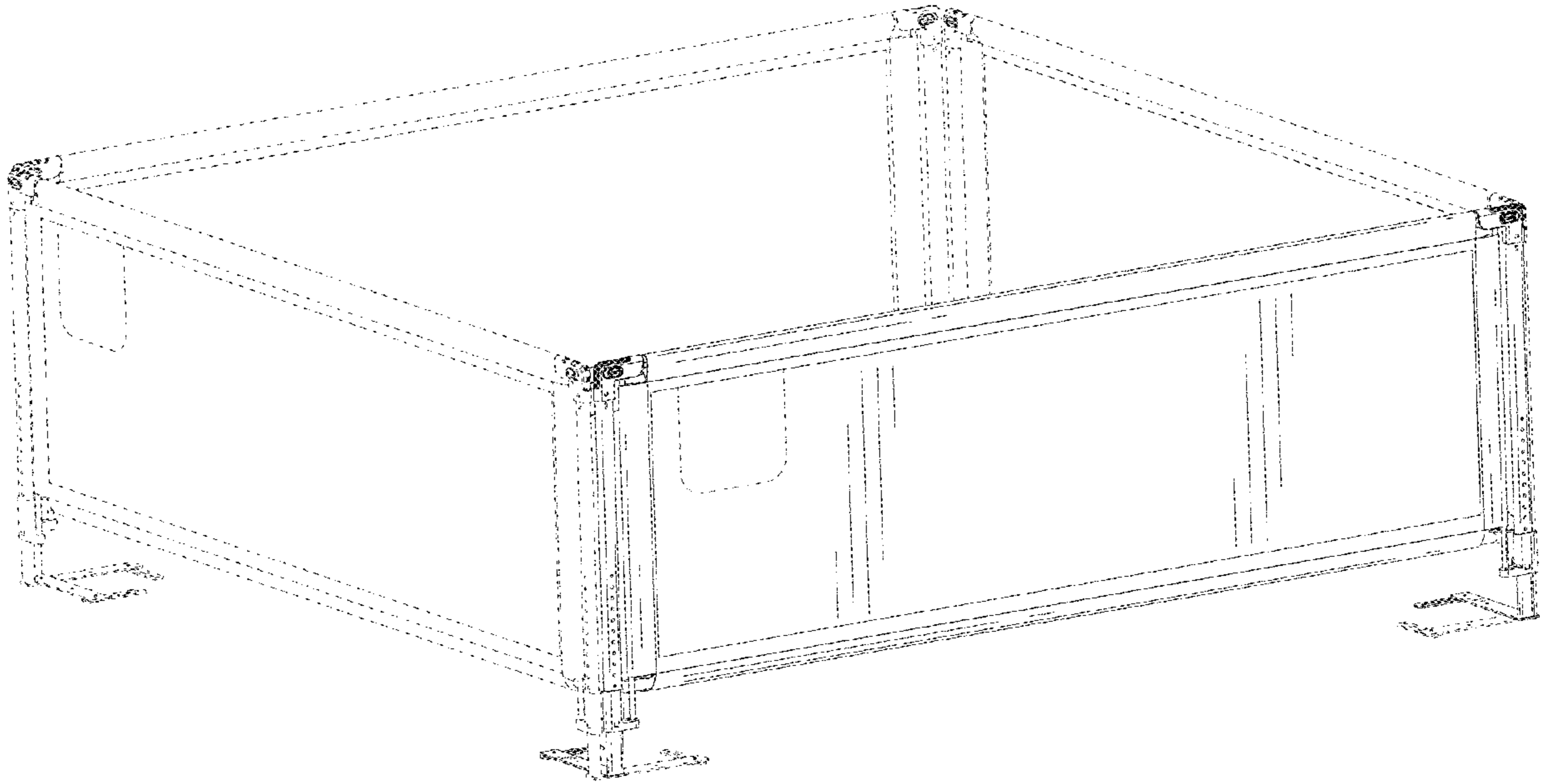


FIG. 9

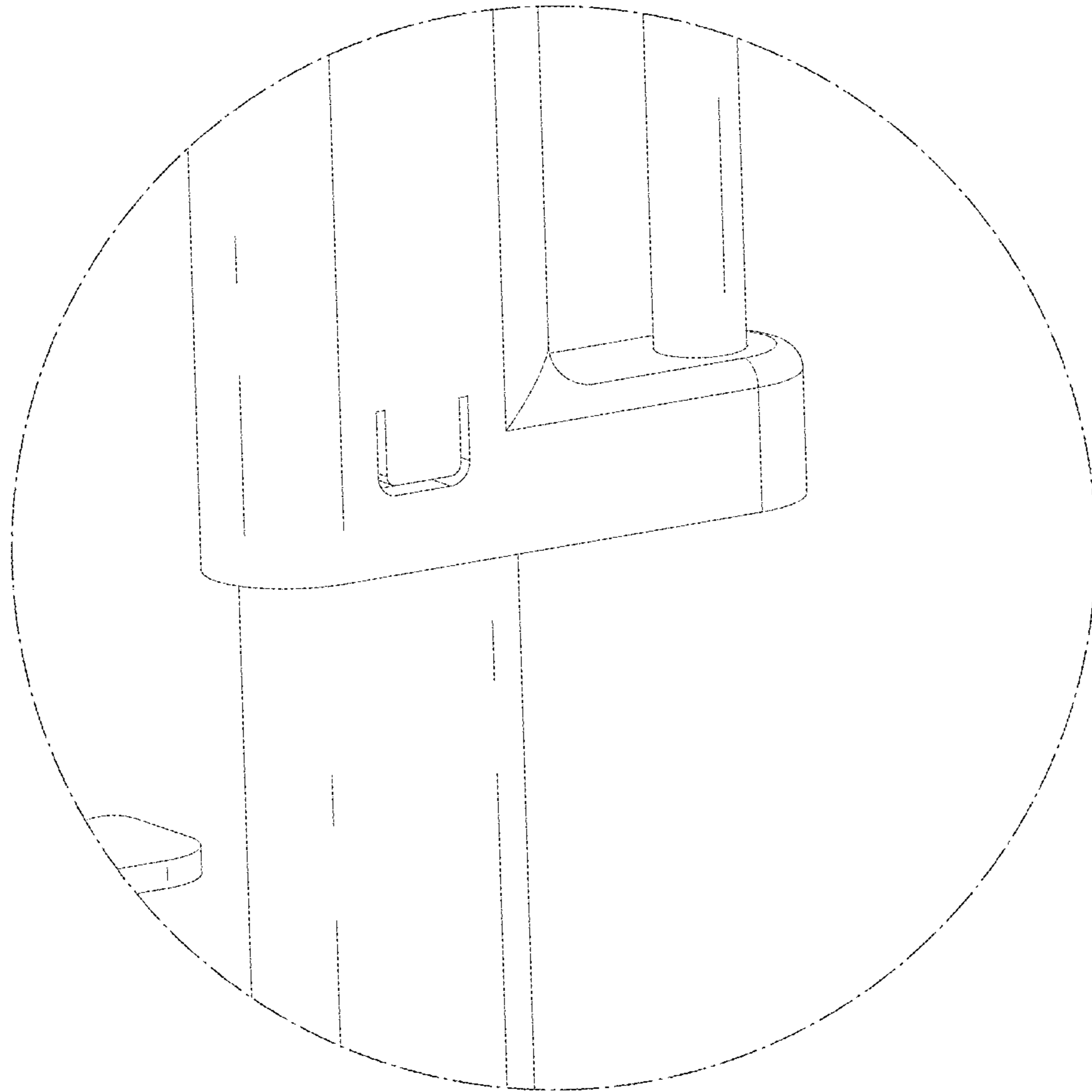


FIG. 10

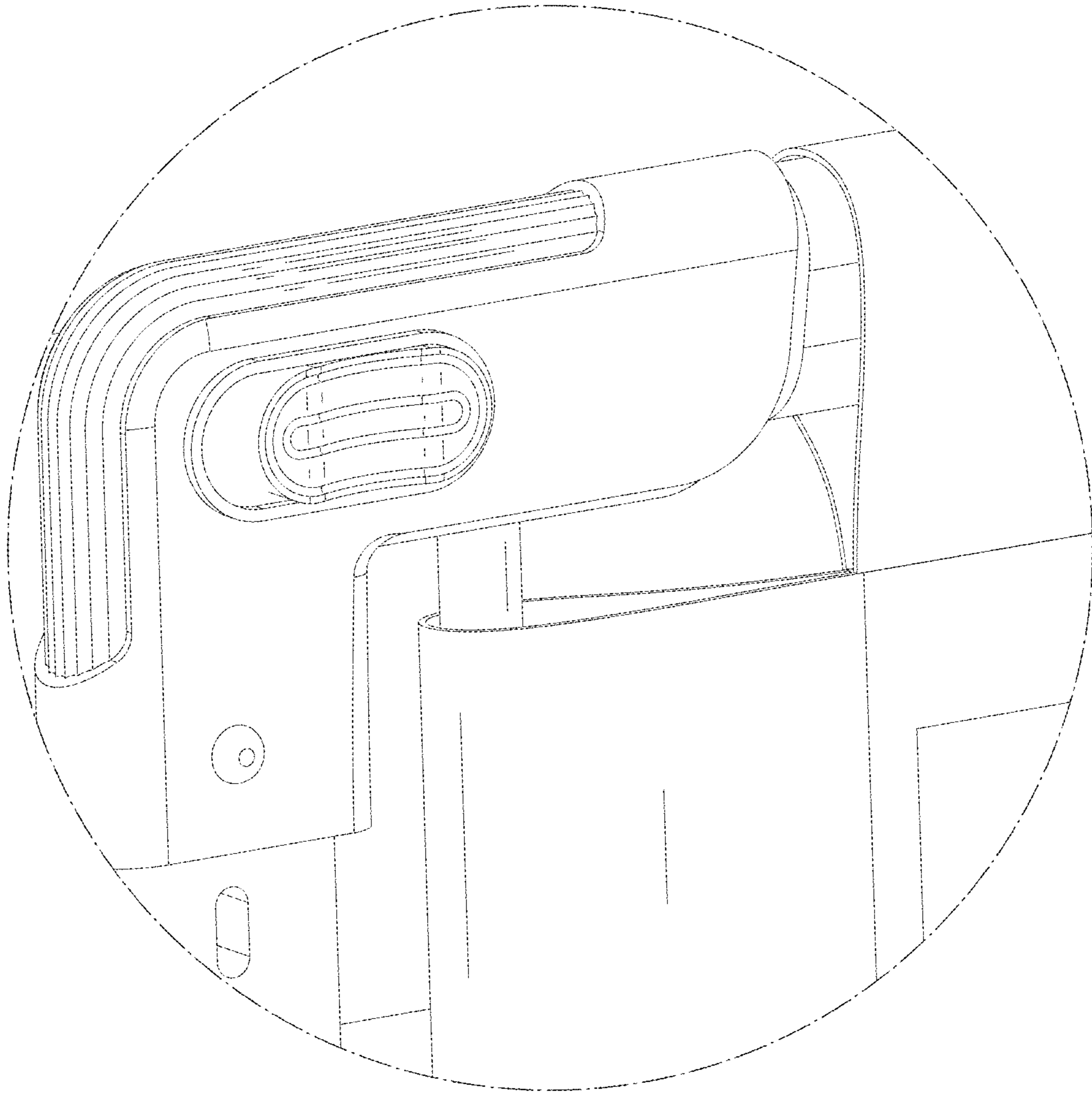


FIG. 11