



US00D988051S

(12) **United States Design Patent**  
**Jiang**

(10) **Patent No.:** **US D988,051 S**

(45) **Date of Patent:** **\*\* Jun. 6, 2023**

(54) **HAMMOCK**

(71) Applicant: **Xiaoming Jiang**, Ningbo (CN)

(72) Inventor: **Xiaoming Jiang**, Ningbo (CN)

(\*\*) Term: **15 Years**

(21) Appl. No.: **29/859,904**

(22) Filed: **Nov. 15, 2022**

(30) **Foreign Application Priority Data**

Oct. 25, 2022 (CN) ..... 202230705809.X

(51) **LOC (14) Cl.** ..... **06-06**

(52) **U.S. Cl.**  
USPC ..... **D6/718.12**

(58) **Field of Classification Search**  
USPC .... D6/387, 388, 389, 718.1, 718.11, 718.12;  
D21/834  
CPC . A45F 3/24; A45F 3/22; A47C 3/0255; E04H  
15/425; E04H 15/324  
See application file for complete search history.

(56) **References Cited**

**U.S. PATENT DOCUMENTS**

- 363,223 A \* 5/1887 Ferguson ..... A45F 3/24  
135/96
- 381,025 A \* 4/1888 Parmalee ..... A45F 3/24  
135/96
- 957,644 A \* 5/1910 Berger ..... E04H 15/48  
135/144
- 1,054,251 A \* 2/1913 Stone ..... A45F 3/24  
135/96
- 2,353,220 A \* 7/1944 Charlop ..... A45F 3/24  
5/128
- 2,546,350 A \* 3/1951 Spangler ..... A45F 3/24  
248/163.2
- 2,618,788 A \* 11/1952 Cole ..... A45F 3/24  
5/128
- D414,957 S \* 10/1999 Rajacich ..... D6/718.1
- D602,707 S \* 10/2009 VanElverdinghe ..... D6/389

- D706,054 S \* 6/2014 Zhou ..... D6/387
- D764,203 S 8/2016 Fang
- D817,657 S 5/2018 Weng
- D920,708 S 6/2021 Scott

(Continued)

**OTHER PUBLICATIONS**

“ROG garden-line Ploss Gondola Hammock.” Found online Feb. 11, 2023 at [www.amazon.de](http://www.amazon.de). Product first available Jun. 15, 2015. Retrieved from URL: <https://www.amazon.de/-/en/garden-line-Gondola-Hammock-Lounger-Champagne/dp/B00YN46NKU> (Year: 2015).\*

(Continued)

*Primary Examiner* — Mary Ann Calabrese

*Assistant Examiner* — Katelin G Kloberg

(74) *Attorney, Agent, or Firm* — Rumit Ranjit Kanakia

(57) **CLAIM**

The ornamental design for a hammock, as shown and described.

**DESCRIPTION**

FIG. 1 is a top perspective view of a hammock, showing my new design;

FIG. 2 is a bottom perspective view thereof;

FIG. 3 is a front view thereof;

FIG. 4 is a back view thereof;

FIG. 5 is a left side view thereof;

FIG. 6 is a right side view thereof;

FIG. 7 is a top view thereof;

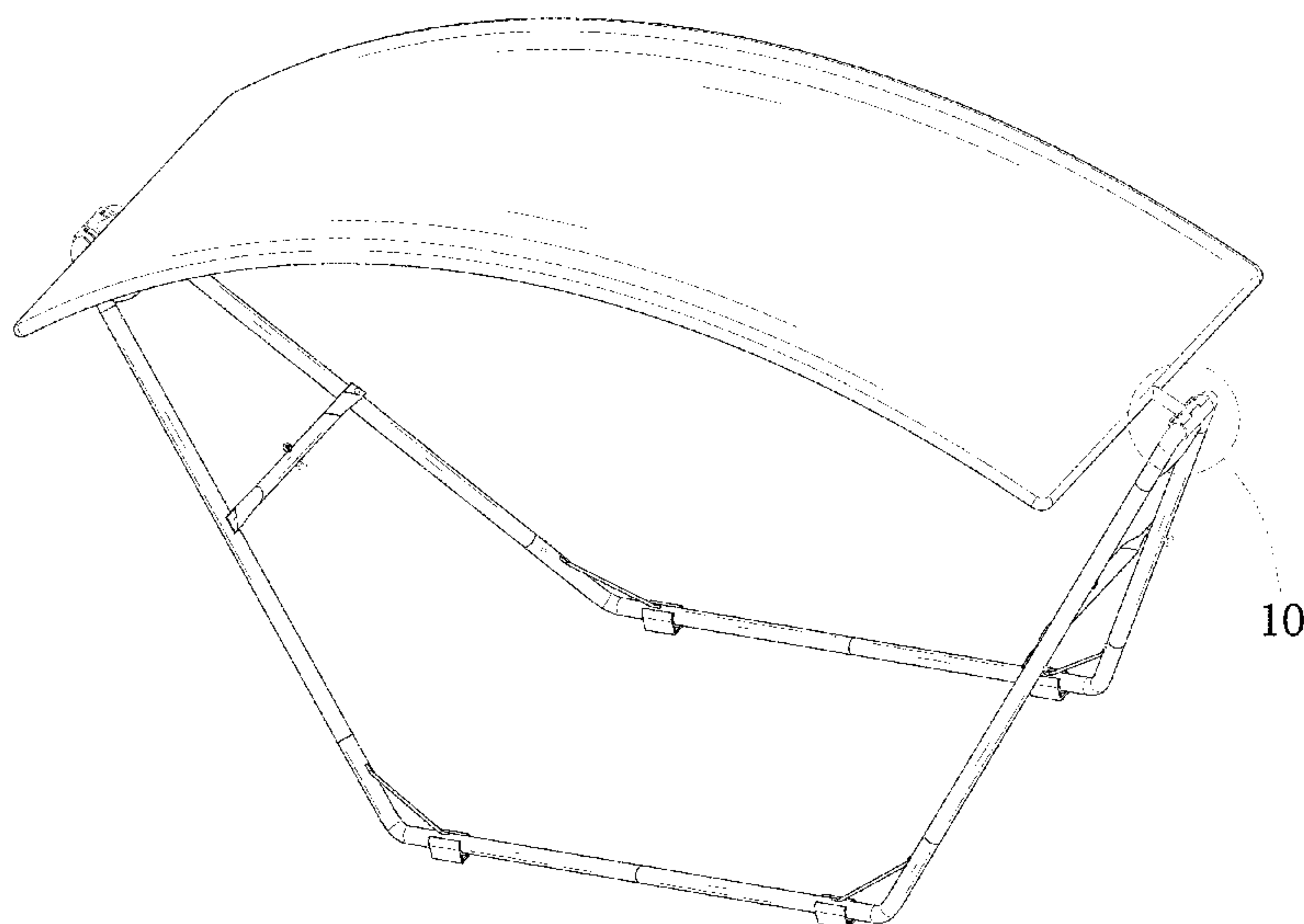
FIG. 8 is a bottom view thereof;

FIG. 9 is a perspective view, shown within an environment of use; and,

FIG. 10 is an enlarged view of the selected portion 10 in FIG. 1.

The broken lines shown in the drawings depict portions of the hammock that form no part of the claimed design.

**1 Claim, 10 Drawing Sheets**



(56)

**References Cited**

U.S. PATENT DOCUMENTS

D923,121 S \* 6/2021 Kim ..... D21/686  
D941,612 S \* 1/2022 Wurm ..... D6/643  
D957,174 S \* 7/2022 Wang ..... D6/718.12

OTHER PUBLICATIONS

“Kijaro All in One Portable Hammock.” Found online Feb. 11, 2023 at [www.amazon.com](http://www.amazon.com). Product first available Nov. 12, 2010. Retrieved from URL: <https://www.amazon.com/exec/obidos/ASIN/B003OUZ6HA> (Year: 2010).\*

“The Free-Standing Royal Botanica Surf Lounger Creates its Own Shade.” Found online Feb. 11, 2023 at [www.trendhunter.com](http://www.trendhunter.com). Page dated Jan. 15, 2011. Retrieved from URL: <https://www.trendhunter.com/trends/royal-botania-surf-lounger> (Year: 2011).\*

“Mac Sports Collapsible Portable Removable Canopy Hammock.” Found online Feb. 11, 2023 at [www.amazon.com](http://www.amazon.com). Customer question answered Aug. 19, 2019. Retrieved from URL: <https://www.amazon.com/H806S-201-Collapsible-Portable-Removable-Hammock/dp/B08CYZXLG2> (Year: 2019).\*

\* cited by examiner

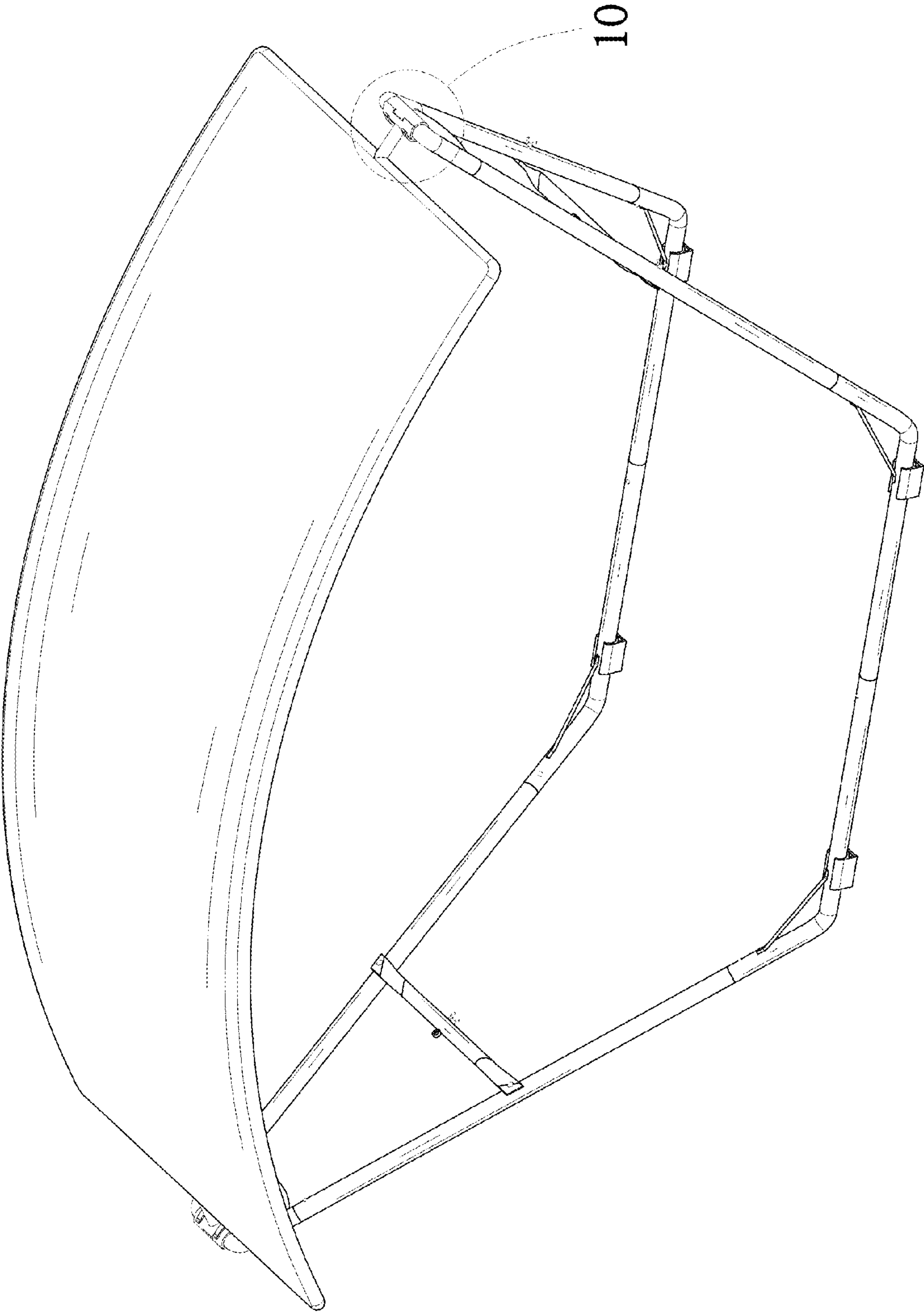


FIG. 1

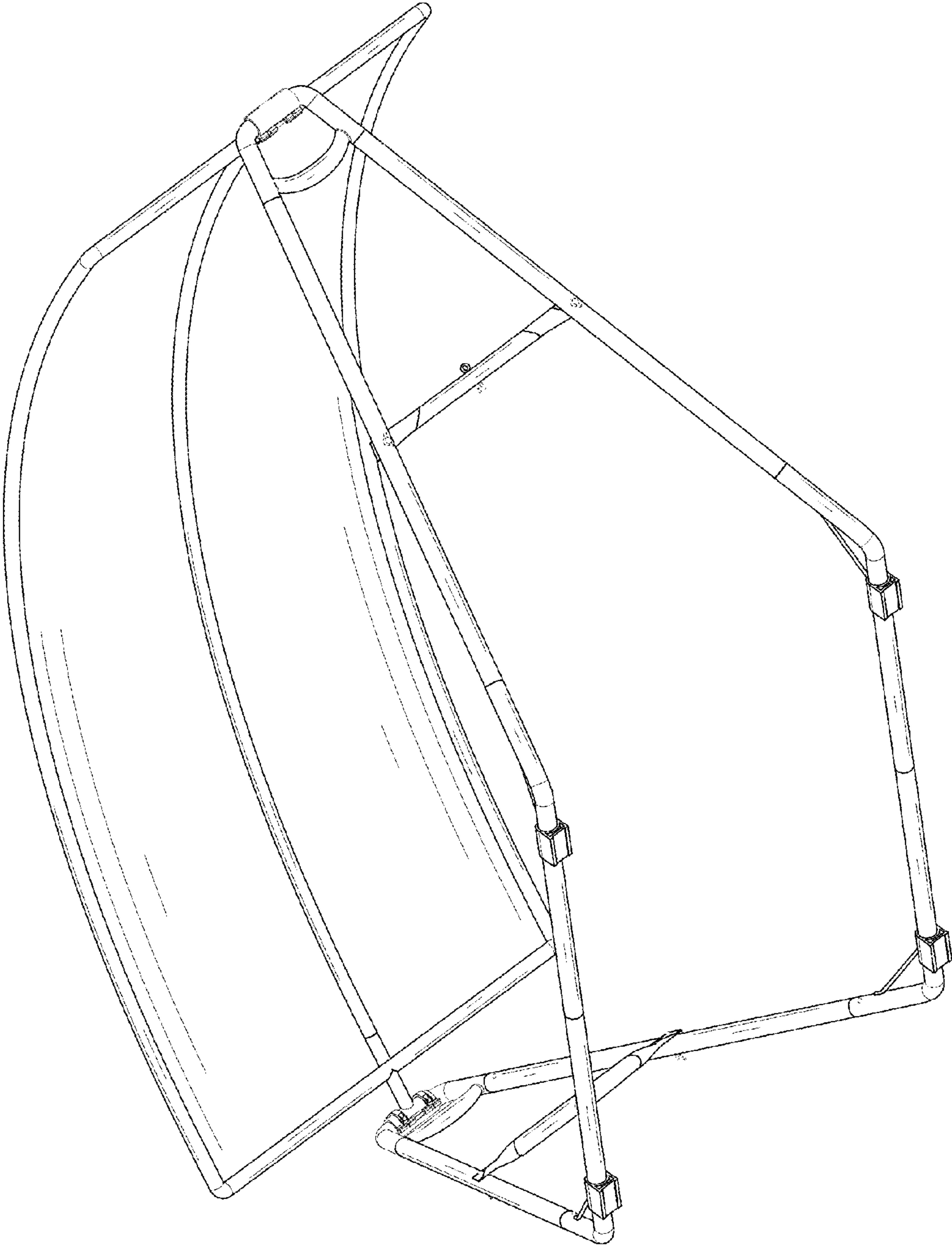


FIG. 2

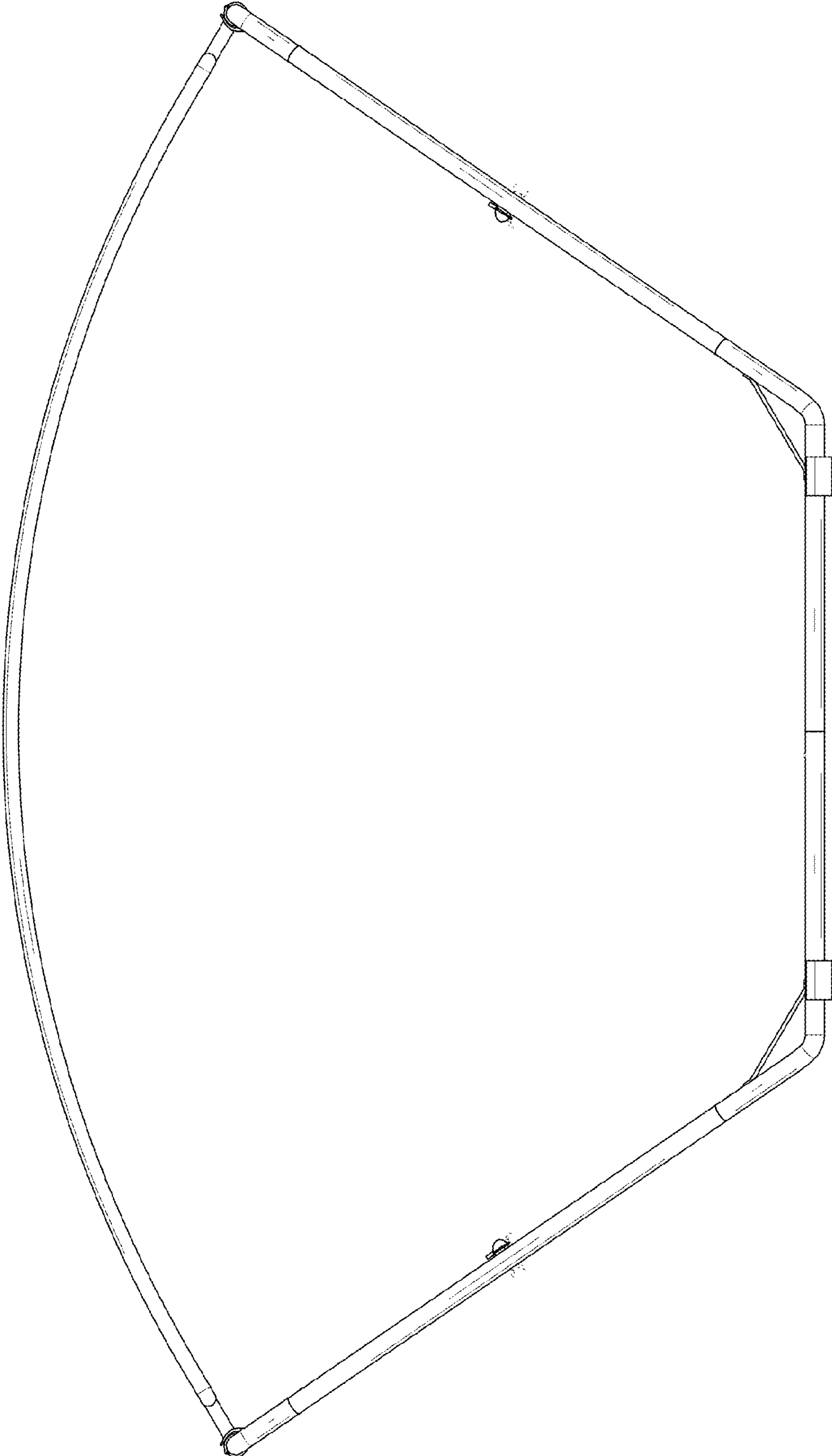


FIG. 3



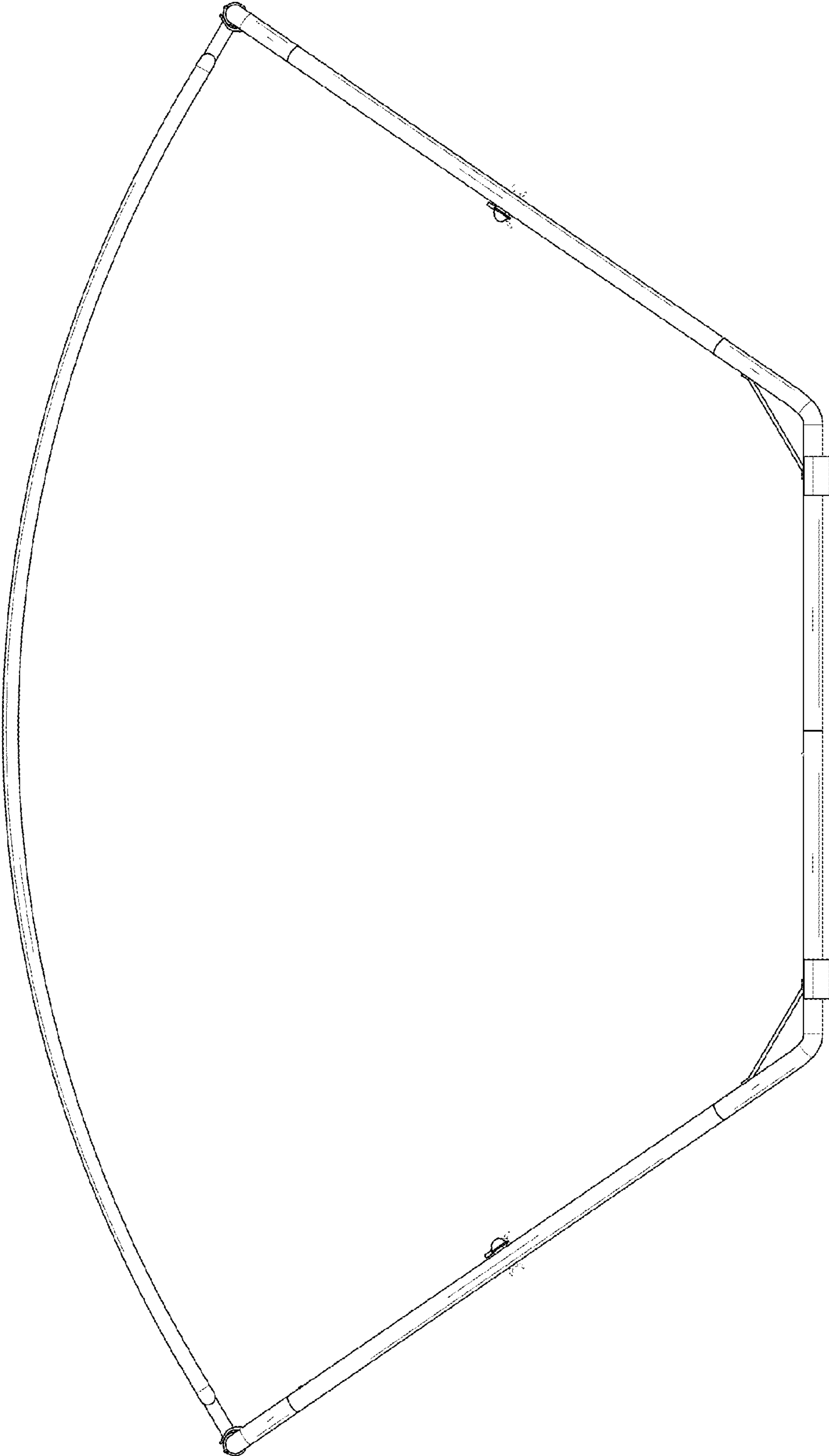


FIG. 4

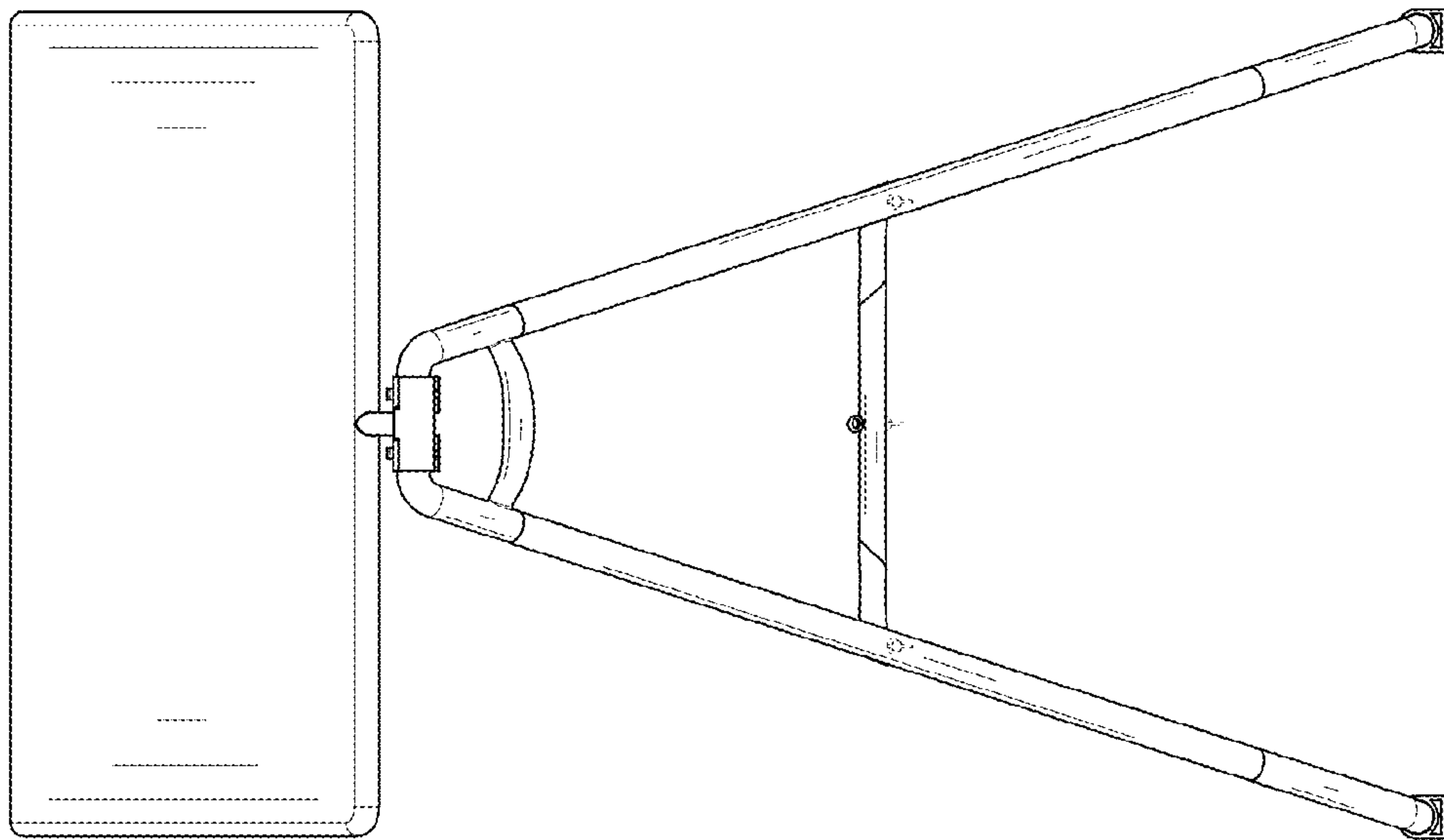


FIG. 5

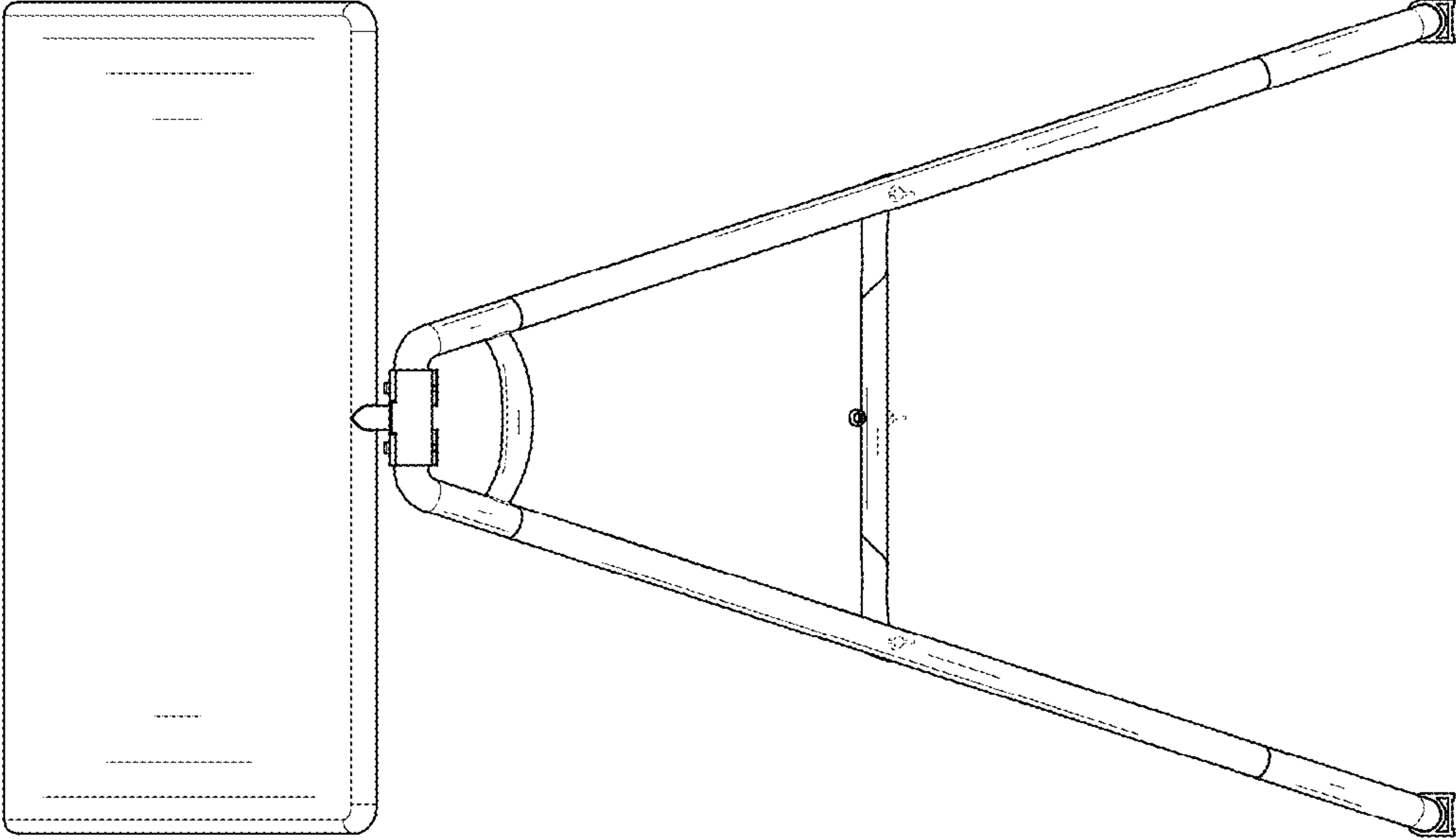


FIG. 6



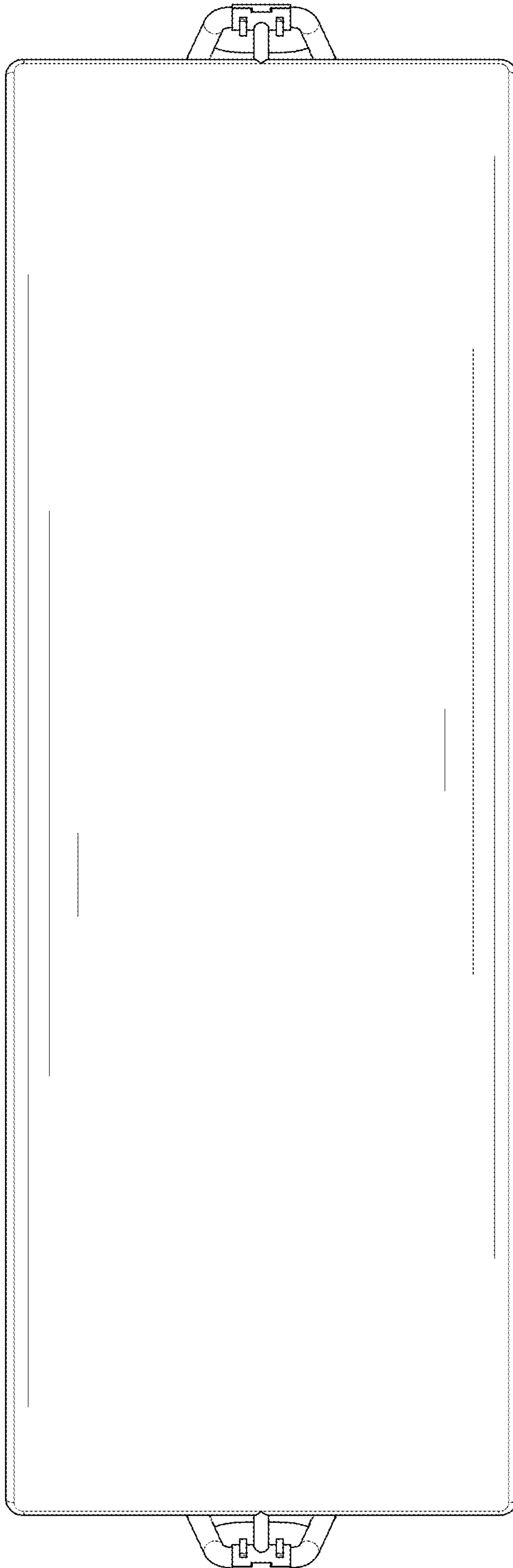


FIG. 7

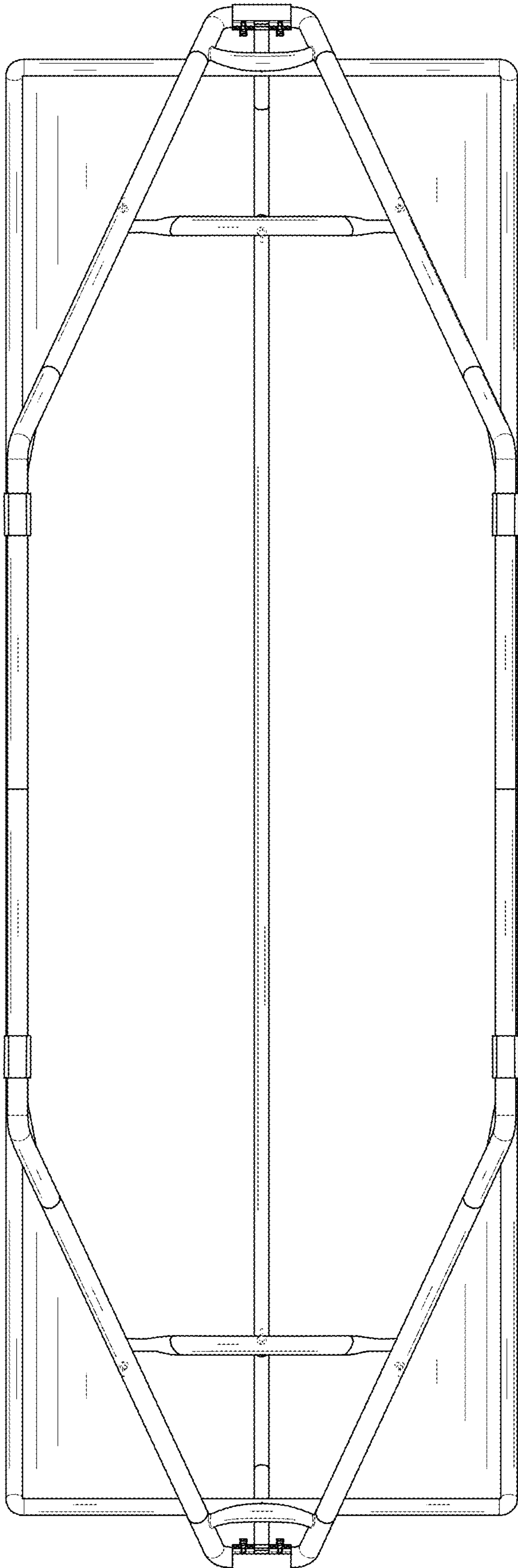


FIG. 8

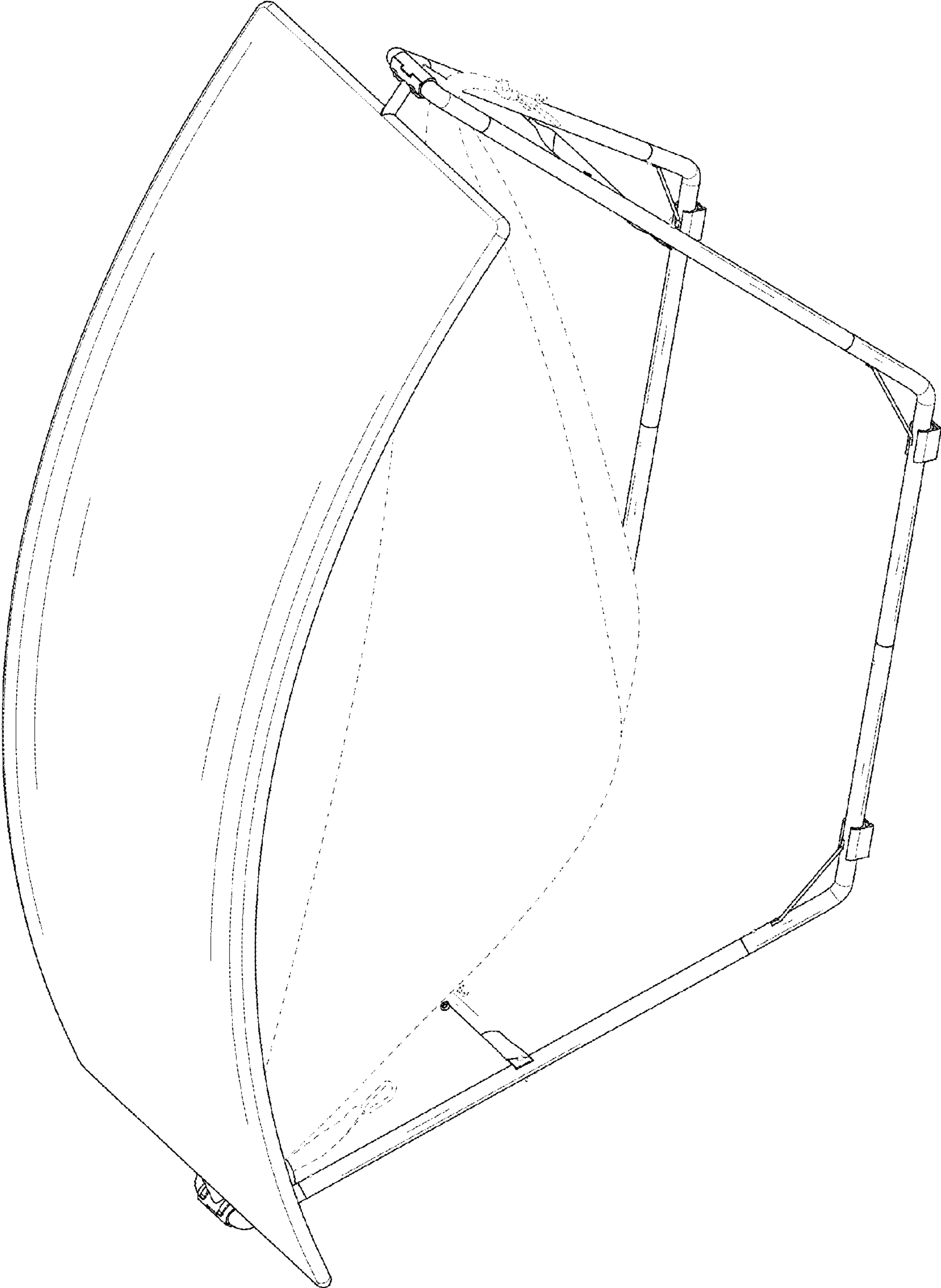


FIG. 9

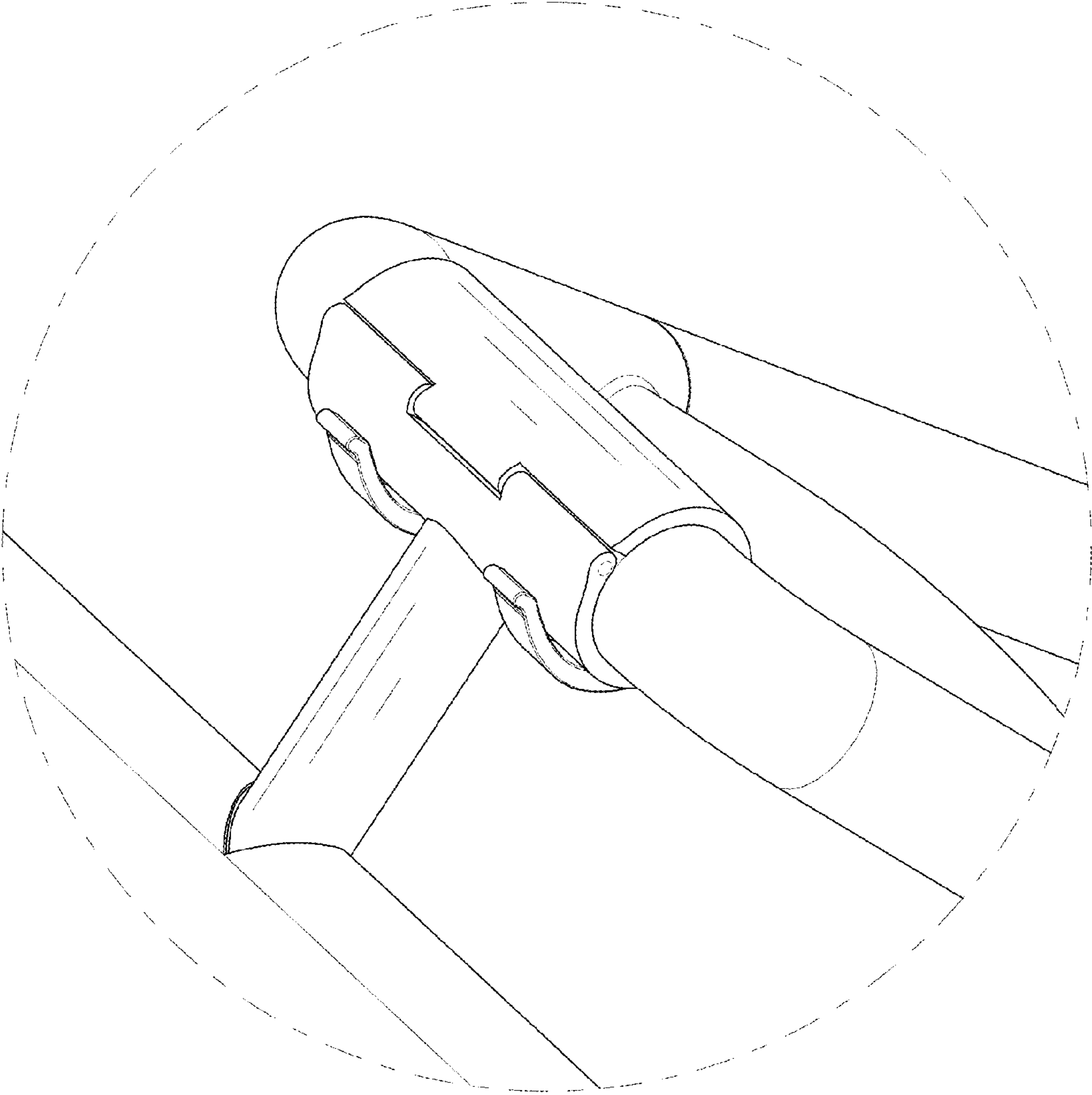


FIG. 10