



US00D988049S

(12) **United States Design Patent**
Deevers et al.

(10) **Patent No.:** **US D988,049 S**
(45) **Date of Patent:** **** Jun. 6, 2023**

(54) **LUMBAR SUPPORT**

6,341,822 B2 1/2002 Apissomian
6,632,756 B1 10/2003 Waldrop et al.
D487,359 S 3/2004 Giugiaro
(Continued)

(71) Applicant: **Steelcase Inc.**, Grand Rapids, MI (US)

(72) Inventors: **Nickolaus William Charles Deevers**, E
Grand Rapids, MI (US); **Mark**
Spoelhof, Grand Rapids, MI (US);
James Ludwig, Grand Rapids, MI (US)

FOREIGN PATENT DOCUMENTS

JP 2013-132403 A 7/2013

(73) Assignee: **STEELCASE INC.**, Grand Rapids, MI
(US)

OTHER PUBLICATIONS

Design 008609242-0003, application date Jul. 8, 2021, country code
EU, publication date Jul. 20, 2021, owner Steelcase Inc, creators
Nickolaus William Charles Deevers, Mark Spoelhof, James Ludwig
(Year: 2021).*

(**) Term: **15 Years**

(Continued)

(21) Appl. No.: **29/783,340**

(22) Filed: **May 12, 2021**

Primary Examiner — Mary Ann Calabrese
Assistant Examiner — Mark David Wolfley

(51) **LOC (14) Cl.** **06-06**

(52) **U.S. Cl.**
USPC **D6/716.4**

(74) *Attorney, Agent, or Firm* — Crowell & Moring LLP

(58) **Field of Classification Search**
USPC D6/362, 366, 368, 374, 380, 702, 713,
D6/714, 716, 716.4, 716.5, 716.7, 716.8
CPC A47C 7/00; A47C 7/36; A47C 7/38; A47C
7/40; A47C 7/42; A47C 7/425; A47C
7/46; A47C 7/462
See application file for complete search history.

(57) **CLAIM**

The ornamental design for a lumbar support, as shown and
described.

DESCRIPTION

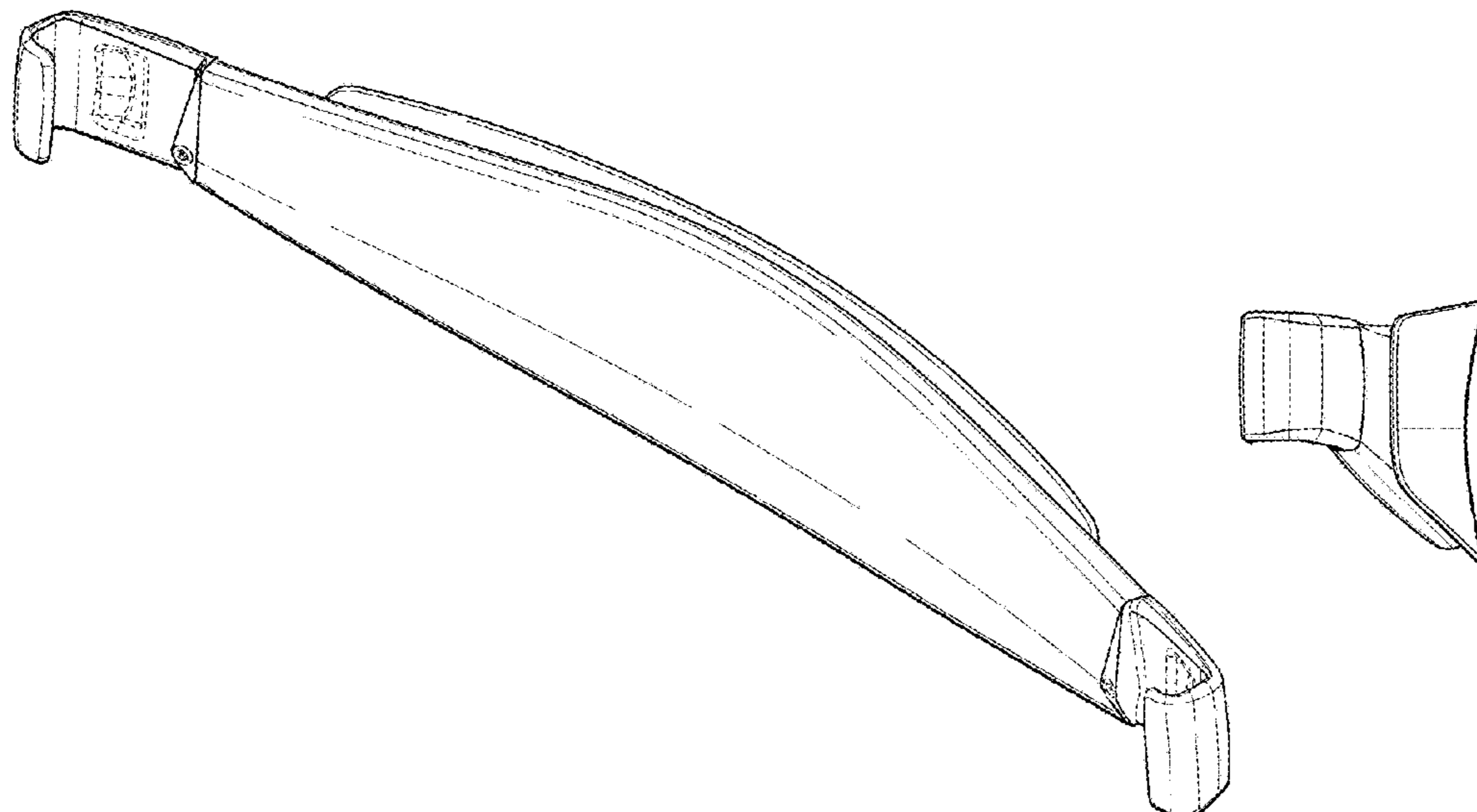
FIG. 1 is a front perspective view of a lumbar support;
FIG. 2 is a right side view of the lumbar support shown in
FIG. 1;
FIG. 3 is a left side view of the lumbar support shown in
FIG. 1;
FIG. 4 is a front view of the lumbar support shown in FIG.
1;
FIG. 5 is a rear view of the lumbar support shown in FIG.
1;
FIG. 6 is a top view of the lumbar support shown in FIG. 1;
and,
FIG. 7 is a bottom view of the lumbar support shown in FIG.
1.
The broken lines showing the indentations and fasteners in
FIGS. 1 and 4 form no part of the claimed design.

(56) **References Cited**

U.S. PATENT DOCUMENTS

3,041,109 A 6/1962 Eames et al.
3,606,464 A 9/1971 Arbuthnot
4,545,614 A 10/1985 Abu-Isa et al.
4,555,136 A 11/1985 Dranger
4,555,139 A 11/1985 Leib
4,826,249 A 5/1989 Bradbury
4,869,554 A 9/1989 Abu-Isa et al.
5,354,120 A 10/1994 Völkle
5,457,968 A 10/1995 McClintock et al.
5,855,991 A 1/1999 McLarty, III
6,050,646 A 4/2000 Stenzel et al.
D449,457 S * 10/2001 Su D6/366

1 Claim, 3 Drawing Sheets



(56)

References Cited

U.S. PATENT DOCUMENTS

6,729,691 B2 5/2004 Koepke et al.
 6,749,261 B2 6/2004 Knoblock et al.
 6,814,412 B2 11/2004 Cramb, III et al.
 6,983,997 B2 1/2006 Wilkerson et al.
 7,055,911 B2 6/2006 Simpson et al.
 D527,920 S 9/2006 Giugiaro
 D528,811 S 9/2006 Giugiaro
 7,159,943 B2 1/2007 Costaglia
 D541,062 S * 4/2007 Su D6/366
 D576,809 S 9/2008 Christianson et al.
 7,425,039 B2 9/2008 Lin
 D579,223 S * 10/2008 Greutmann D6/366
 7,441,839 B2 10/2008 Pennington et al.
 7,568,765 B2 8/2009 Bräuning
 D604,527 S * 11/2009 Ooki D6/366
 7,712,833 B2 5/2010 Ueda
 7,837,272 B2 11/2010 Masunaga et al.
 D646,088 S 10/2011 Ballendat
 8,087,727 B2 1/2012 Parker et al.
 8,113,582 B2 2/2012 Liu
 D658,904 S 5/2012 Chen
 D663,129 S 7/2012 Greutmann
 D675,456 S 2/2013 Sexton
 D683,150 S 5/2013 Smith et al.
 D683,151 S 5/2013 Smith et al.
 D688,497 S 8/2013 Smith et al.
 D688,498 S 8/2013 Smith et al.
 D688,499 S 8/2013 Smith et al.
 D688,500 S 8/2013 Smith et al.
 D688,501 S 8/2013 Smith et al.
 D688,503 S 8/2013 Smith et al.
 D688,504 S 8/2013 Smith et al.
 D688,505 S 8/2013 Smith et al.
 D689,312 S 9/2013 Smith et al.
 D689,313 S 9/2013 Smith et al.
 D689,314 S 9/2013 Smith et al.
 D689,317 S 9/2013 Smith et al.
 D689,318 S 9/2013 Smith et al.
 D690,146 S 9/2013 Smith et al.
 D690,547 S 10/2013 Smith et al.
 D694,536 S 12/2013 Smith et al.
 D694,537 S 12/2013 Smith et al.
 D694,538 S 12/2013 Smith et al.
 D694,539 S 12/2013 Smith et al.
 D694,540 S 12/2013 Smith et al.
 D695,034 S 12/2013 Smith et al.
 D697,726 S 1/2014 Smith et al.
 D697,728 S 1/2014 Smith et al.
 D697,729 S 1/2014 Smith et al.
 D697,730 S 1/2014 Smith et al.
 D698,164 S 1/2014 Smith et al.
 D698,165 S 1/2014 Smith et al.
 D698,166 S 1/2014 Smith et al.
 D699,957 S 2/2014 Smith et al.
 D699,958 S 2/2014 Smith et al.
 D699,959 S 2/2014 Smith et al.

D699,994 S 2/2014 Smith et al.
 D701,053 S 3/2014 Smith et al.
 8,690,249 B2 4/2014 Kang et al.
 8,794,701 B2 8/2014 Nakayama et al.
 8,998,339 B2 4/2015 Peterson et al.
 D733,445 S 7/2015 Izawa et al.
 D742,676 S 11/2015 Smith et al.
 D742,677 S 11/2015 Smith et al.
 D742,678 S 11/2015 Smith et al.
 D750,406 S 3/2016 Smith et al.
 9,560,917 B2 2/2017 Roslund, Jr.
 D781,604 S 3/2017 Smith et al.
 D781,605 S 3/2017 Smith et al.
 9,622,579 B2 4/2017 Wilkinson et al.
 9,648,957 B2 5/2017 Su
 D802,951 S 11/2017 Ludwig et al.
 D802,952 S 11/2017 Ludwig et al.
 D804,209 S 12/2017 Ludwig et al.
 D804,839 S 12/2017 Ludwig et al.
 D804,840 S 12/2017 Ludwig et al.
 D804,841 S 12/2017 Ludwig et al.
 D804,875 S 12/2017 Ludwig et al.
 D804,876 S 12/2017 Ludwig et al.
 D808,187 S 1/2018 Ludwig et al.
 D821,793 S 7/2018 Ludwig et al.
 D834,844 S 12/2018 Chan et al.
 10,173,567 B2 1/2019 Madrigal et al.
 D870,479 S 12/2019 Deevers et al.
 D873,576 S 1/2020 Engelhardt
 D874,202 S 2/2020 Schmitz et al.
 D879,523 S 3/2020 Lampela et al.
 D881,621 S 4/2020 Jin et al.
 D920,696 S * 6/2021 Su D6/366
 D925,956 S * 7/2021 Lampela D6/366
 D961,315 S * 8/2022 Deevers D6/716
 2003/0189367 A1 10/2003 Erker
 2007/0216208 A1 * 9/2007 Maier A47C 7/46
 297/284.7
 2009/0018833 A1 1/2009 Kozat et al.
 2009/0261644 A1 10/2009 Piretti
 2011/0233979 A1 9/2011 An
 2013/0341980 A1 12/2013 Halliday et al.
 2018/0310721 A1 11/2018 Schmitz et al.
 2020/0085194 A1 3/2020 Maier et al.
 2021/0093092 A1 * 4/2021 Deevers A47C 31/02

OTHER PUBLICATIONS

Herman Miller Celle Chair, available in officechairatwork.com, oldest review of Dec. 19, 2019, site visited Jan. 3, 2023, URL:https://officechairatwork.com/product/herman-miller-celle-chair-cellular-suspension-back-adjustable-arms-adjustable-lumbar-support/ (Year: 2019).*

Design U.S. Appl. No. 29/767,701, filed Jan. 20, 2021.
 Design U.S. Appl. No. 29/767,102, filed Jan. 20, 2021.
 Sedus brochure, “se:motion, Office swivel chair for agile working”, obtained from the Internet at: www.sedus.com, not dated, 20 pgs.

* cited by examiner

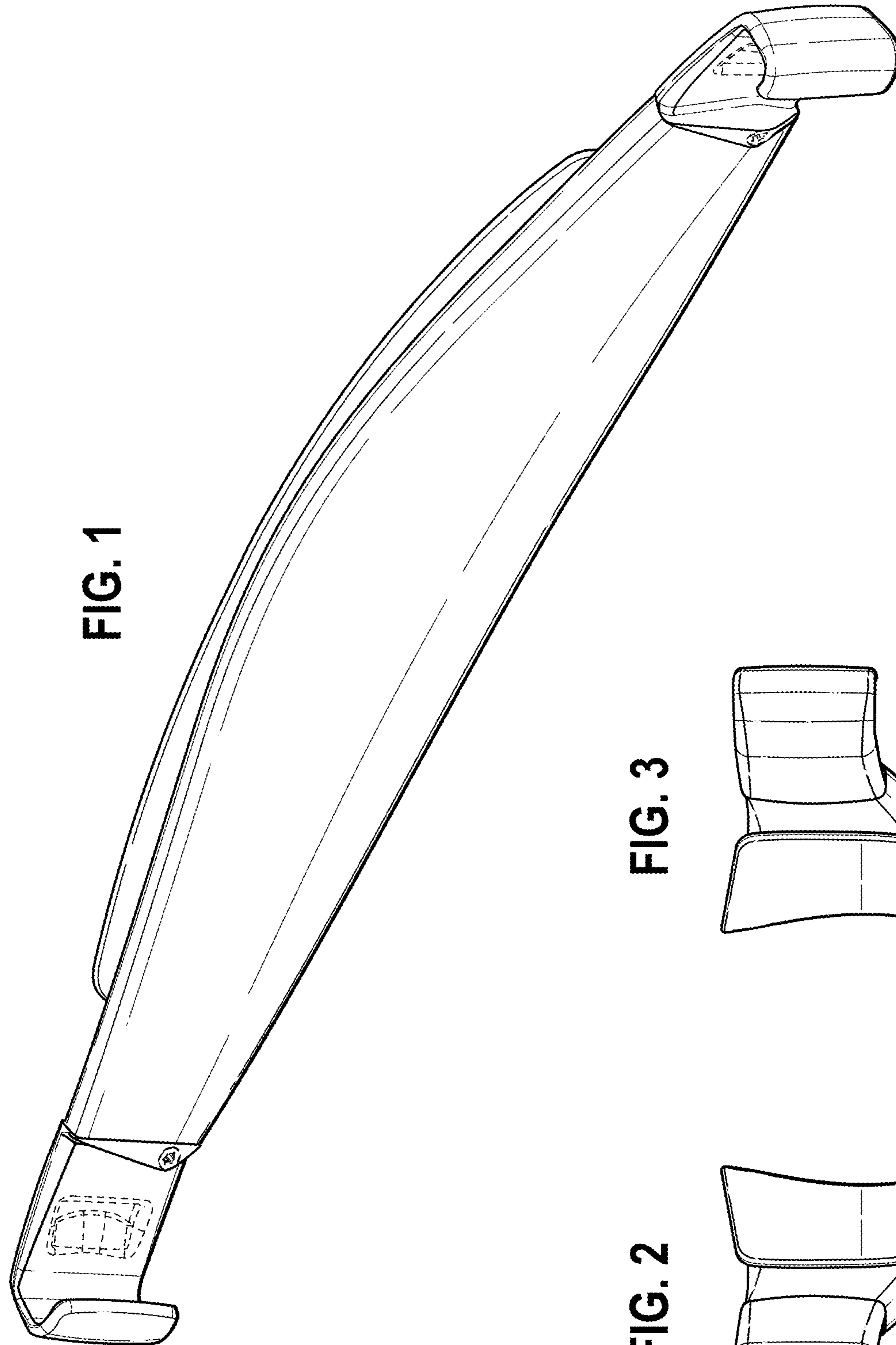


FIG. 1

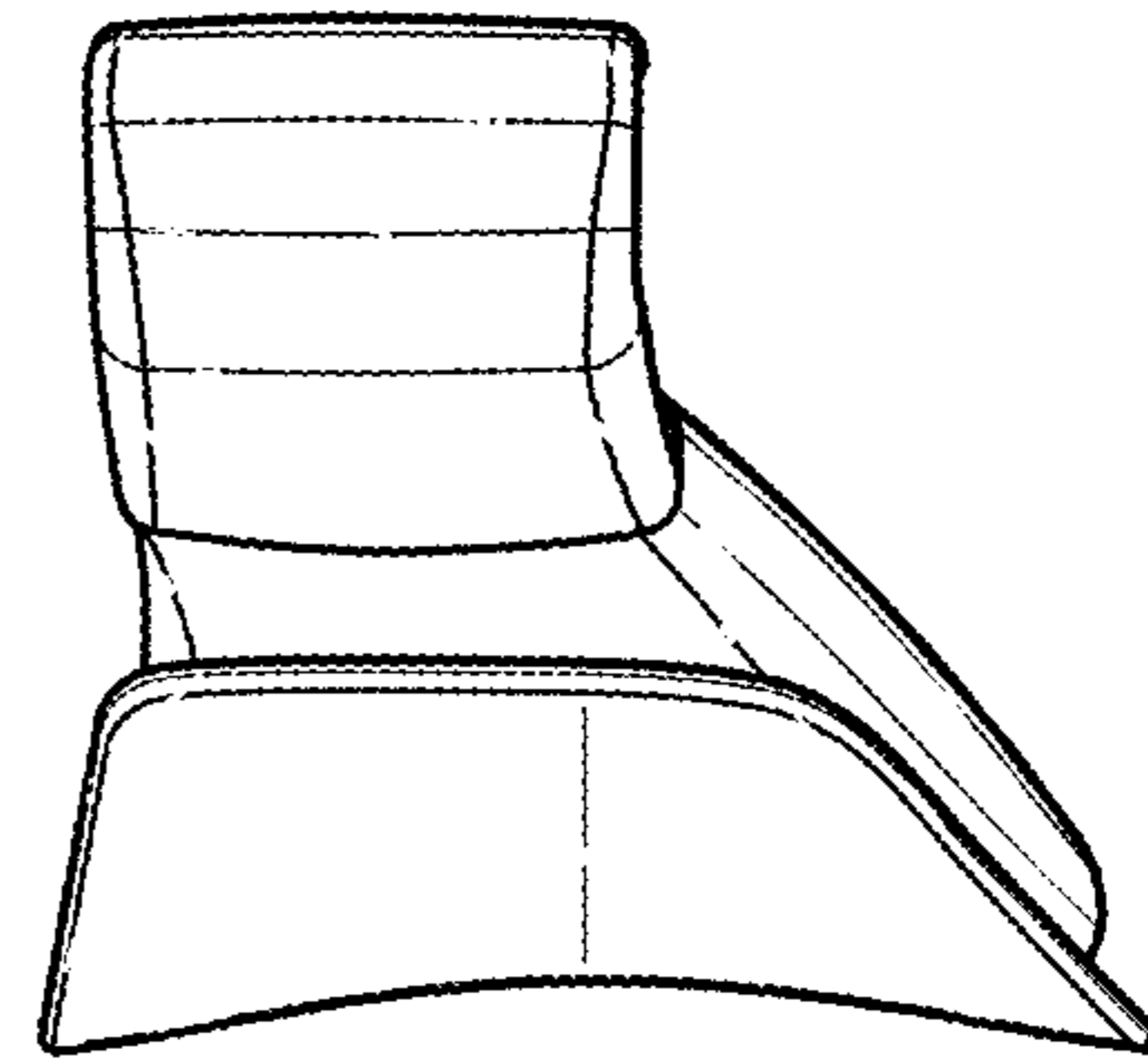


FIG. 3

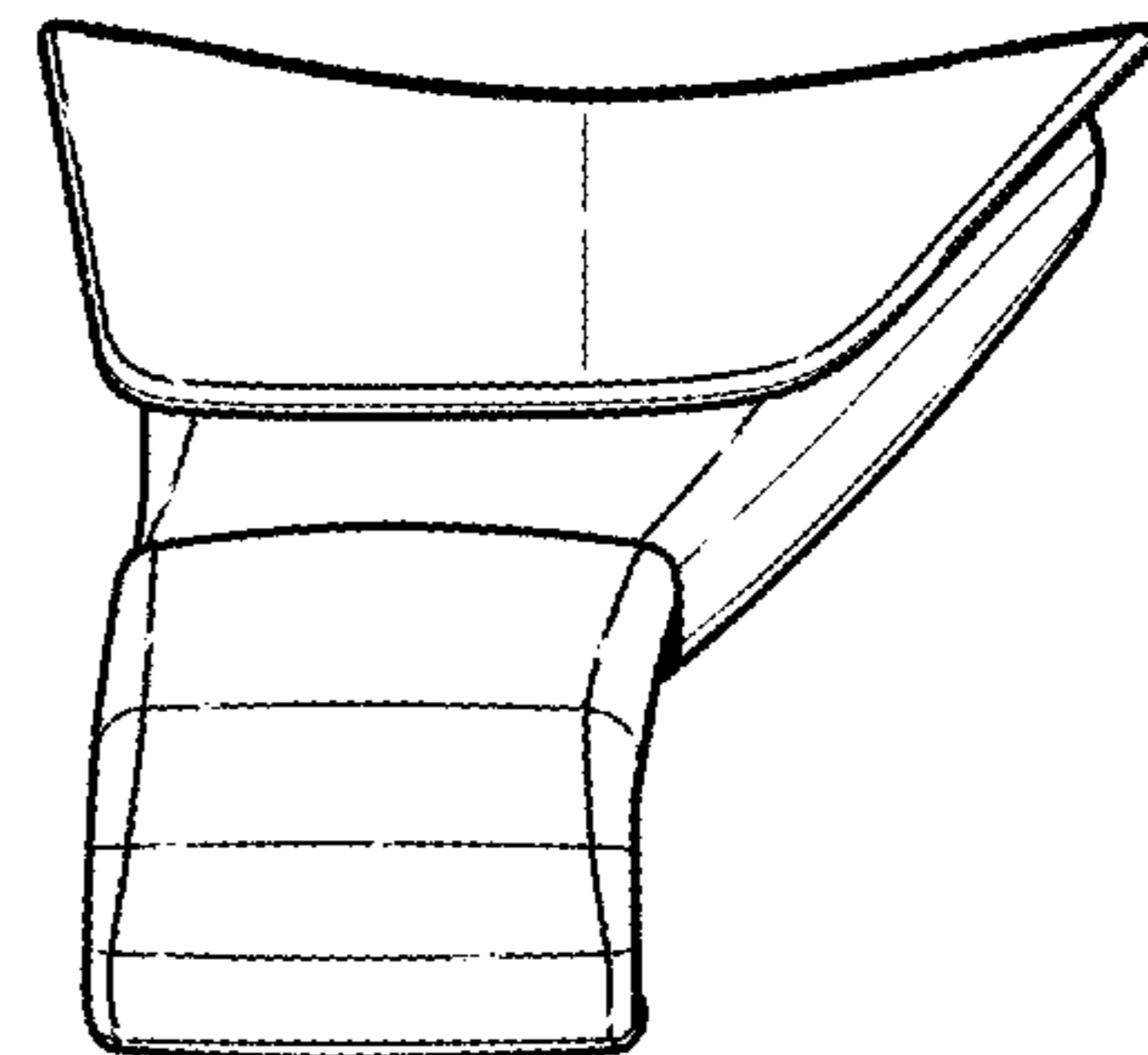


FIG. 2

FIG. 4

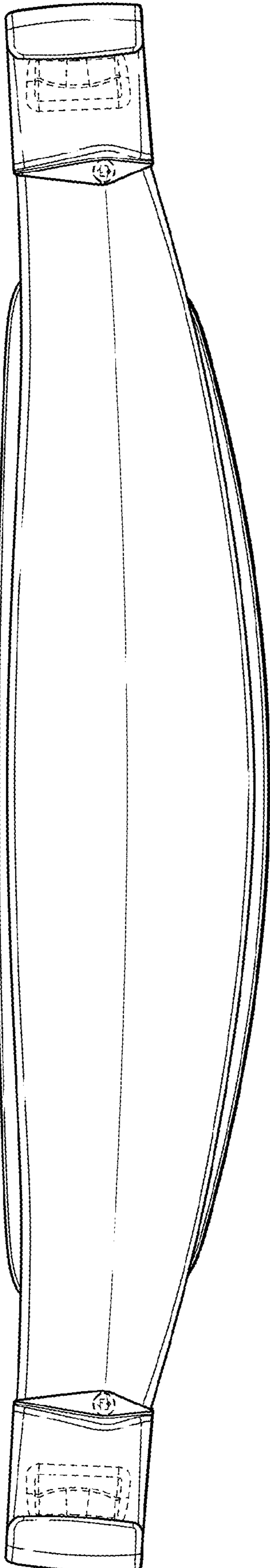


FIG. 5

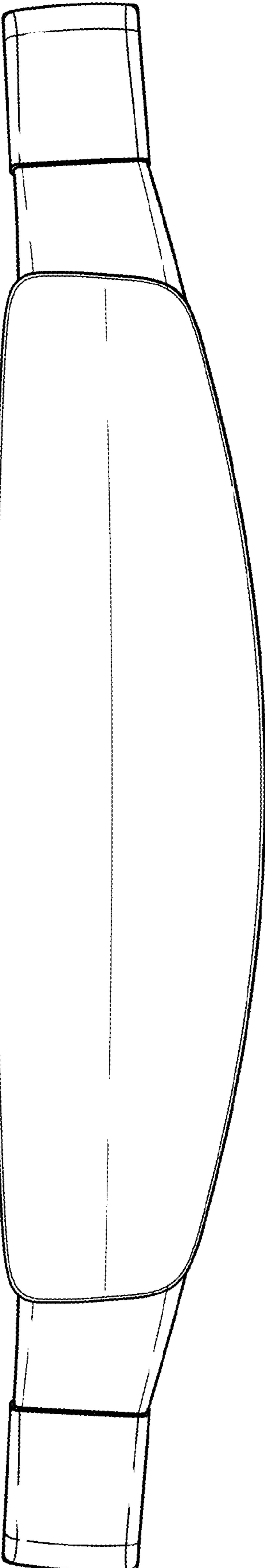


FIG. 6

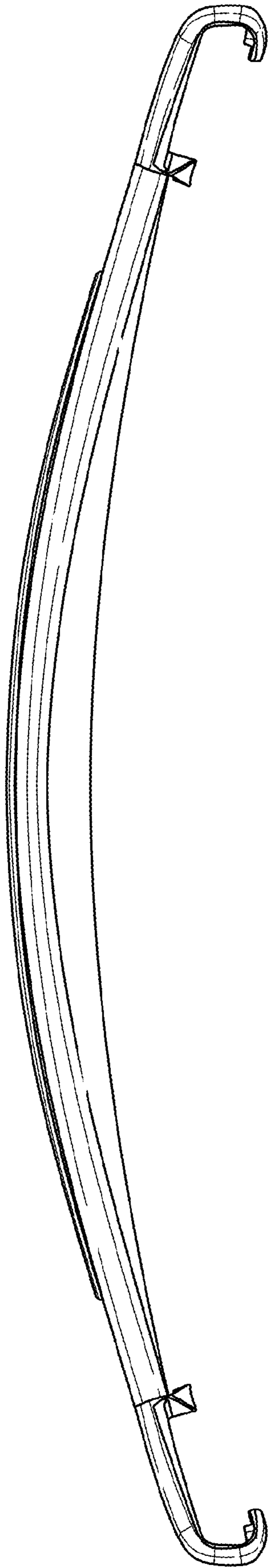


FIG. 7

