



US00D988048S

(12) **United States Design Patent**  
**Deevers et al.**

(10) **Patent No.:** **US D988,048 S**  
(45) **Date of Patent:** **\*\* Jun. 6, 2023**

- (54) **LUMBAR SUPPORT**
- (71) Applicant: **Steelcase Inc.**, Grand Rapids, MI (US)
- (72) Inventors: **Nickolaus William Charles Deevers**, Holland, MI (US); **Mark Spoelhof**, Grand Rapids, MI (US); **James Ludwig**, Grand Rapids, MI (US)
- (73) Assignee: **STEELCASE INC.**, Grand Rapids, MI (US)

6,632,756 B1 10/2003 Waldrop et al.  
 D487,359 S 3/2004 Giugiaro  
 6,729,691 B2 5/2004 Koepke et al.  
 (Continued)

FOREIGN PATENT DOCUMENTS

JP 2013-132403 A 7/2013

OTHER PUBLICATIONS

Design 6147530, application date Jul. 8, 2021, country code GB, publication date Jul. 8, 2021, owner Steelcase Inc (Year: 2021).\*  
 (Continued)

- (\*\*) Term: **15 Years**
- (21) Appl. No.: **29/767,102**
- (22) Filed: **Jan. 20, 2021**
- (51) **LOC (14) Cl.** ..... **06-06**
- (52) **U.S. Cl.**  
USPC ..... **D6/716.4**
- (58) **Field of Classification Search**  
USPC ..... D6/362, 366, 368, 374, 380, 702, 713,  
D6/714, 716, 716.4, 716.5, 716.7, 716.8  
CPC .... A47C 7/00; A47C 7/36; A47C 7/38; A47C  
7/40; A47C 7/42; A47C 7/425; A47C  
7/46; A47C 7/462  
See application file for complete search history.

*Primary Examiner* — Mary Ann Calabrese  
*Assistant Examiner* — Mark David Wolfley  
 (74) *Attorney, Agent, or Firm* — Crowell & Moring LLP

(57) **CLAIM**

The ornamental design for a lumbar support, as shown and described.

**DESCRIPTION**

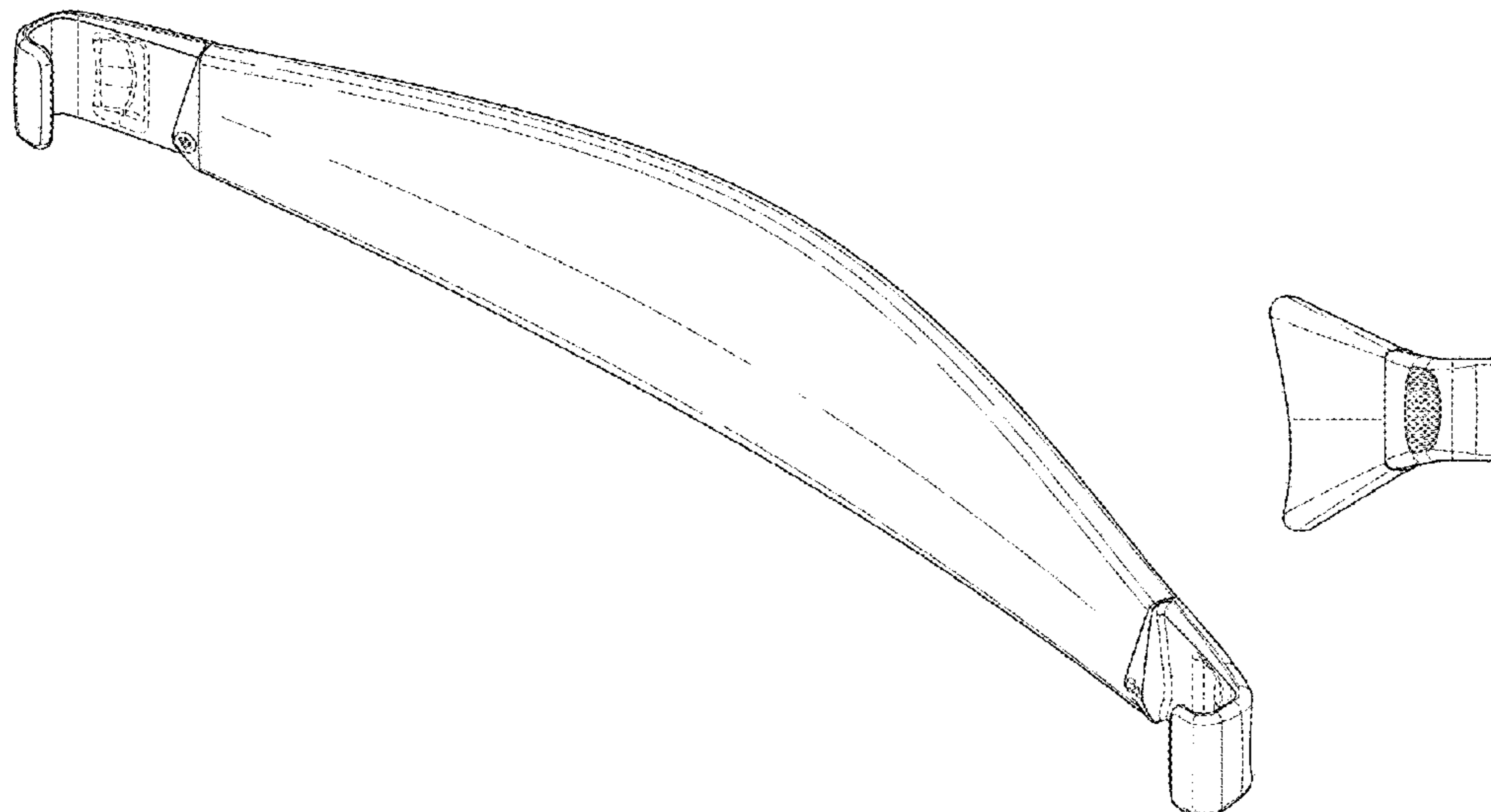
FIG. 1 is a front perspective view of a lumbar support;  
 FIG. 2 is a left side view of the lumbar support shown in FIG. 1;  
 FIG. 3 is a right side view of the lumbar support shown in FIG. 1;  
 FIG. 4 is a front view of the lumbar support shown in FIG. 1;  
 FIG. 5 is a rear view of the lumbar support shown in FIG. 1;  
 FIG. 6 is a top view of the lumbar support shown in FIG. 1;  
 and,  
 FIG. 7 is a bottom view of the lumbar support shown in FIG. 1.  
 The broken lines showing the indentations and fasteners in FIGS. 1 and 4, and the finger grip patterns in FIGS. 2, 3 and 5, form no part of the claimed design.

**1 Claim, 3 Drawing Sheets**

(56) **References Cited**

U.S. PATENT DOCUMENTS

3,041,109	A	6/1962	Eames et al.	
3,606,464	A	9/1971	Arbuthnot	
4,545,614	A	10/1985	Abu-Isa et al.	
4,555,136	A	11/1985	Dranger	
4,555,139	A	11/1985	Leib	
4,826,249	A	5/1989	Bradbury	
4,869,554	A	9/1989	Abu-Isa et al.	
5,354,120	A	10/1994	Völkle	
5,457,968	A	10/1995	McClintock et al.	
5,855,991	A	1/1999	McLarty, III	
6,050,646	A	4/2000	Stenzel et al.	
D449,457	S *	10/2001	Su	D6/366
6,341,822	B2	1/2002	Apissomian	



(56)

References Cited

U.S. PATENT DOCUMENTS

6,749,261 B2 6/2004 Knoblock et al.  
 6,814,412 B2 11/2004 Cramb, III et al.  
 6,983,997 B2 1/2006 Wilkerson et al.  
 7,055,911 B2 6/2006 Simpson et al.  
 D527,920 S 9/2006 Giugiaro  
 D528,811 S 9/2006 Giugiaro  
 7,159,943 B2 1/2007 Costaglia  
 D541,062 S \* 4/2007 Su ..... D6/366  
 D576,809 S 9/2008 Christianson et al.  
 7,425,039 B2 9/2008 Lin  
 D579,223 S \* 10/2008 Greutmann ..... D6/366  
 7,441,839 B2 10/2008 Pennington et al.  
 7,568,765 B2 8/2009 Bräuning  
 D604,527 S \* 11/2009 Ooki ..... D6/366  
 7,712,833 B2 5/2010 Ueda  
 7,837,272 B2 11/2010 Masunaga et al.  
 D646,088 S 10/2011 Ballendat  
 8,087,727 B2 1/2012 Parker et al.  
 8,113,582 B2 2/2012 Liu  
 D658,904 S 5/2012 Chen  
 D663,129 S 7/2012 Greutmann  
 D675,456 S 2/2013 Sexton  
 D683,150 S 5/2013 Smith et al.  
 D683,151 S 5/2013 Smith et al.  
 D688,497 S 8/2013 Smith et al.  
 D688,498 S 8/2013 Smith et al.  
 D688,499 S 8/2013 Smith et al.  
 D688,500 S 8/2013 Smith et al.  
 D688,501 S 8/2013 Smith et al.  
 D688,503 S 8/2013 Smith et al.  
 D688,504 S 8/2013 Smith et al.  
 D688,505 S 8/2013 Smith et al.  
 D689,312 S 9/2013 Smith et al.  
 D689,313 S 9/2013 Smith et al.  
 D689,314 S 9/2013 Smith et al.  
 D689,317 S 9/2013 Smith et al.  
 D689,318 S 9/2013 Smith et al.  
 D690,146 S 9/2013 Smith et al.  
 D690,547 S 10/2013 Smith et al.  
 D694,536 S 12/2013 Smith et al.  
 D694,537 S 12/2013 Smith et al.  
 D694,538 S 12/2013 Smith et al.  
 D694,539 S 12/2013 Smith et al.  
 D694,540 S 12/2013 Smith et al.  
 D695,034 S 12/2013 Smith et al.  
 D697,726 S 1/2014 Smith et al.  
 D697,728 S 1/2014 Smith et al.  
 D697,729 S 1/2014 Smith et al.  
 D697,730 S 1/2014 Smith et al.  
 D698,164 S 1/2014 Smith et al.  
 D698,165 S 1/2014 Smith et al.  
 D698,166 S 1/2014 Smith et al.  
 D699,957 S 2/2014 Smith et al.  
 D699,958 S 2/2014 Smith et al.  
 D699,959 S 2/2014 Smith et al.  
 D699,994 S 2/2014 Smith et al.  
 D701,053 S 3/2014 Smith et al.

8,690,249 B2 4/2014 Kang et al.  
 8,794,701 B2 8/2014 Nakayama et al.  
 8,998,339 B2 4/2015 Peterson et al.  
 D733,445 S 7/2015 Izawa et al.  
 D742,676 S 11/2015 Smith et al.  
 D742,677 S 11/2015 Smith et al.  
 D742,678 S 11/2015 Smith et al.  
 D750,406 S 3/2016 Smith et al.  
 9,560,917 B2 2/2017 Roslund, Jr.  
 D781,604 S 3/2017 Smith et al.  
 D781,605 S 3/2017 Smith et al.  
 9,622,579 B2 4/2017 Wilkinson et al.  
 9,648,957 B2 5/2017 Su  
 D802,951 S 11/2017 Ludwig et al.  
 D802,952 S 11/2017 Ludwig et al.  
 D804,209 S 12/2017 Ludwig et al.  
 D804,839 S 12/2017 Ludwig et al.  
 D804,840 S 12/2017 Ludwig et al.  
 D804,841 S 12/2017 Ludwig et al.  
 D804,875 S 12/2017 Ludwig et al.  
 D804,876 S 12/2017 Ludwig et al.  
 D808,187 S 1/2018 Ludwig et al.  
 D821,793 S 7/2018 Ludwig et al.  
 D834,844 S 12/2018 Chan et al.  
 10,173,567 B2 1/2019 Madrigal et al.  
 D870,479 S 12/2019 Deevers et al.  
 D873,576 S 1/2020 Engelhardt  
 D874,202 S 2/2020 Schmitz et al.  
 D879,523 S 3/2020 Lampela et al.  
 D881,621 S 4/2020 Jin et al.  
 D920,696 S \* 6/2021 Su ..... D6/366  
 D925,956 S \* 7/2021 Lampela ..... D6/366  
 D961,315 S \* 8/2022 Deevers ..... D6/716  
 2003/0189367 A1 10/2003 Erker  
 2007/0216208 A1 \* 9/2007 Maier ..... A47C 7/46  
 297/284.7  
 2009/0018833 A1 1/2009 Kozat et al.  
 2009/0261644 A1 10/2009 Piretti  
 2011/0233979 A1 9/2011 An  
 2013/0341980 A1 12/2013 Halliday et al.  
 2018/0310721 A1 11/2018 Schmitz et al.  
 2020/0085194 A1 3/2020 Maier et al.  
 2021/0093092 A1 \* 4/2021 Deevers ..... A47C 31/02

OTHER PUBLICATIONS

Herman Miller Celle Chair, available in officechairatwork.com, oldest review of Dec. 19, 2019, site visited Jan. 3, 2023, URL:https://officechairatwork.com/product/herman-miller-celle-chair-cellular-suspension-back-adjustable-arms-adjustable-lumbar-support/ (Year: 2019).\*

Design 307679705, application date Jun. 28, 2022, country code CN, publication date Nov. 22, 2022, owner Foshan zhigangda medical equipment Technology Co Ltd., creator Cheng Songlin (Year: 2022).\*

Sedus brochure, “se:motion, Office swivel chair for agile working”, obtained from the Internet at: www.sedus.com, not dated, 20 pgs.

\* cited by examiner

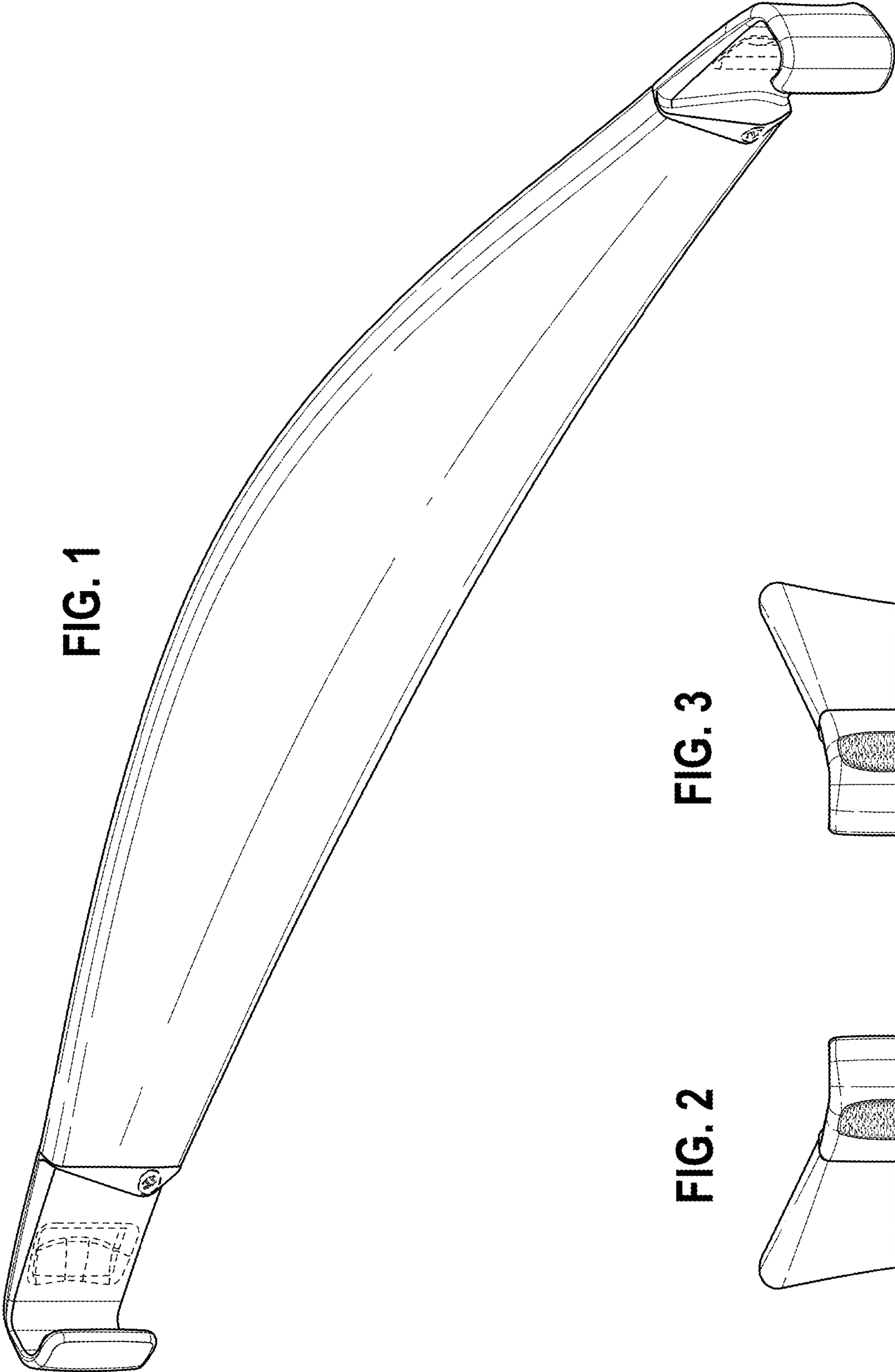


FIG. 1

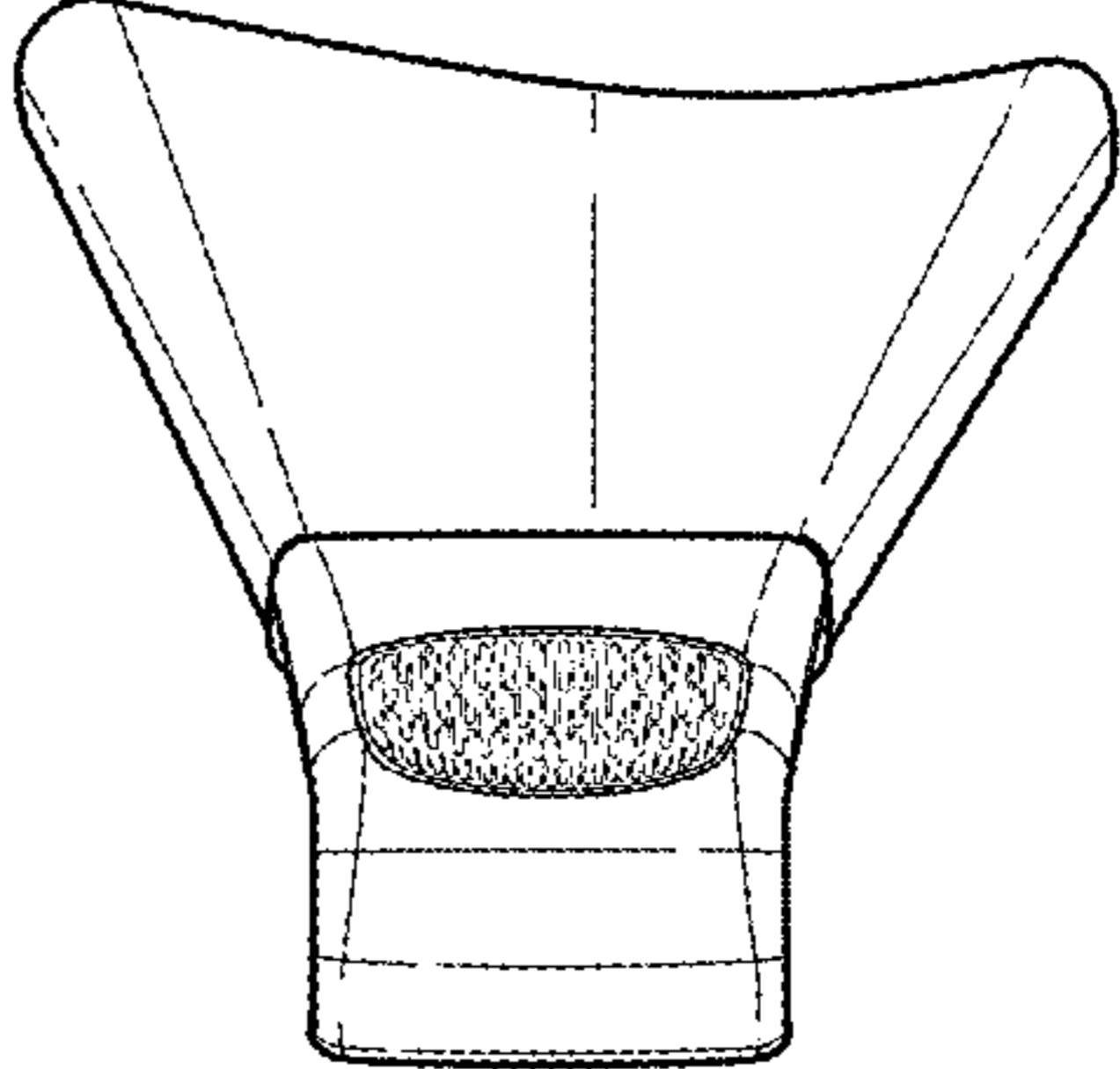


FIG. 3

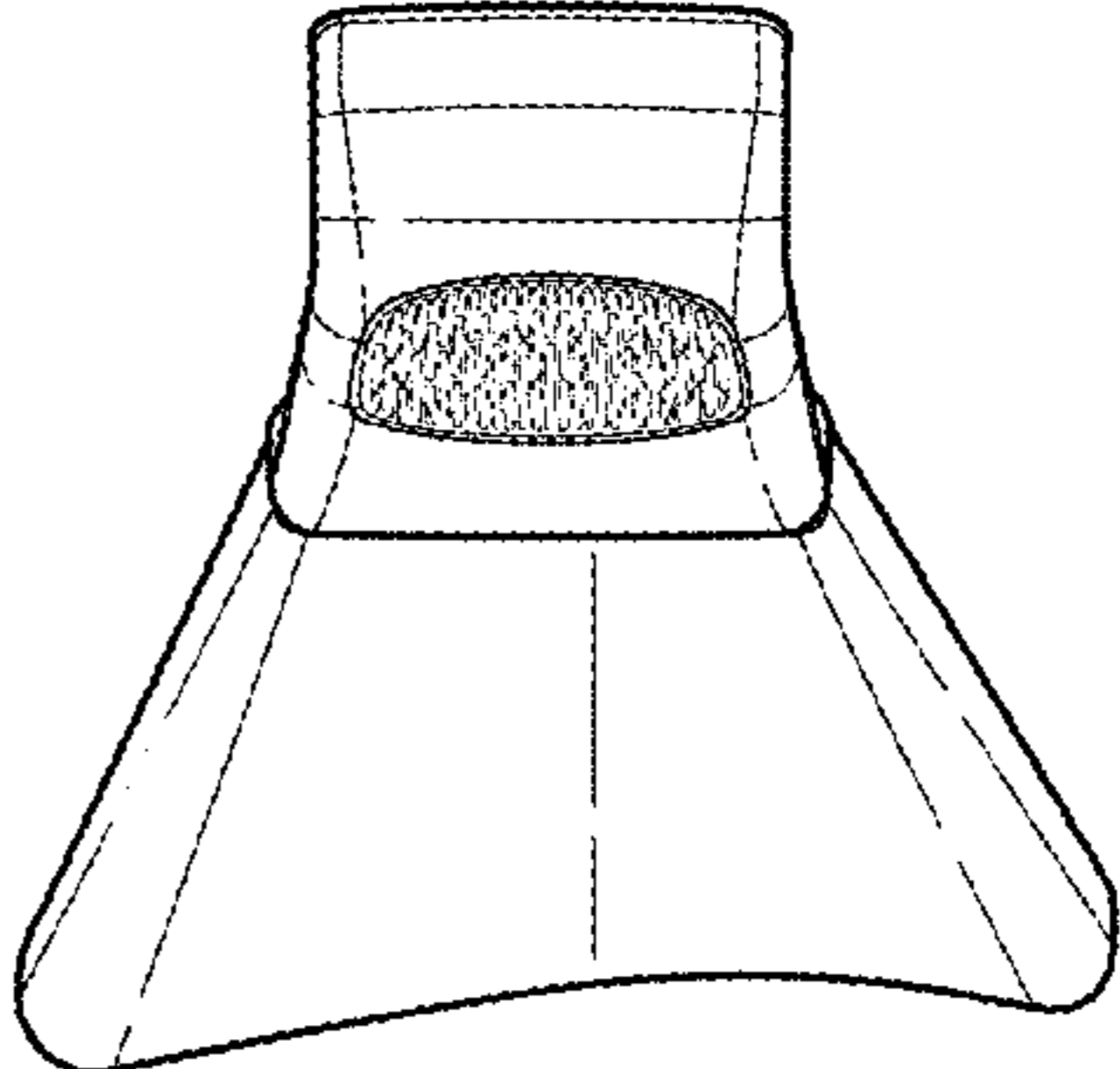


FIG. 2

FIG. 4

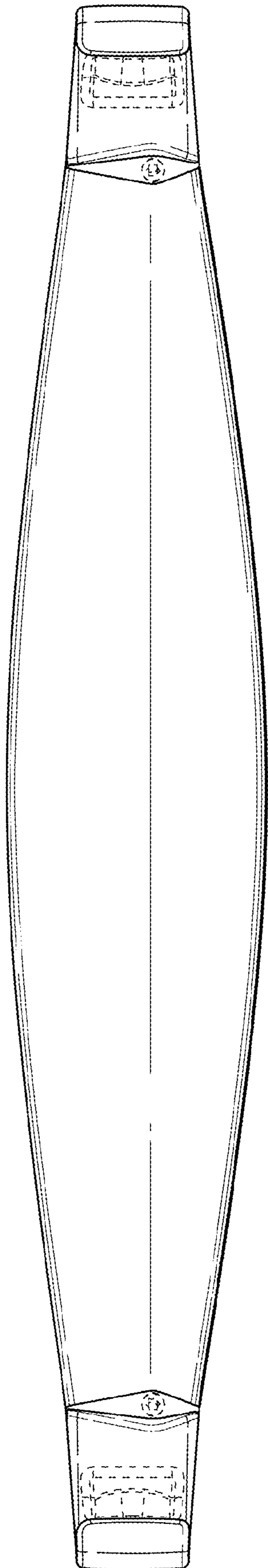


FIG. 5

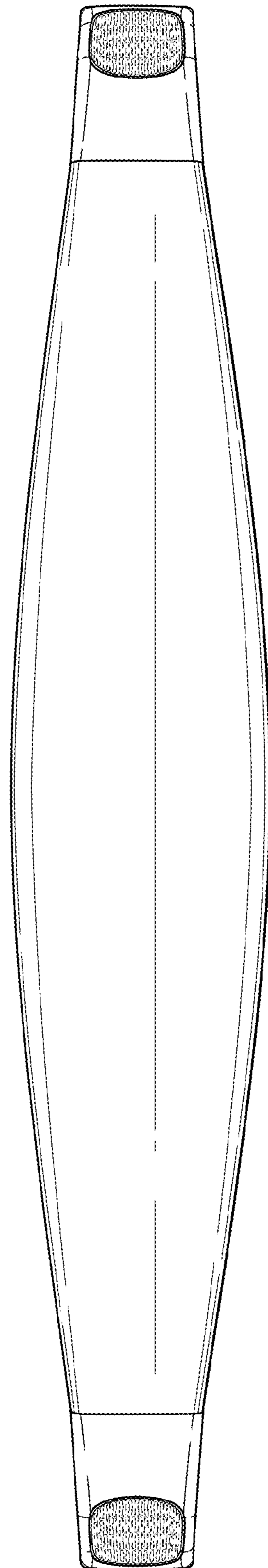


FIG. 6

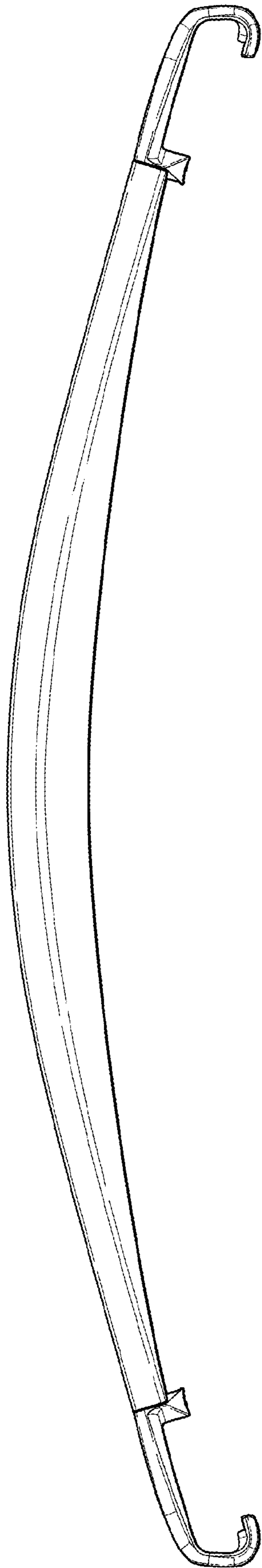


FIG. 7

