



US00D988045S

(12) **United States Design Patent**
Tang

(10) **Patent No.:** **US D988,045 S**
(45) **Date of Patent:** **** Jun. 6, 2023**

(54) **COMBINED FOLDING CAMPING TABLE WITH TELESCOPING LEGS**

(71) Applicant: **Hao Tang**, Jiangsu (CN)

(72) Inventor: **Hao Tang**, Jiangsu (CN)

(**) Term: **15 Years**

(21) Appl. No.: **29/807,079**

(22) Filed: **Sep. 9, 2021**

(51) **LOC (14) Cl.** **06-03**

(52) **U.S. Cl.**
USPC **D6/691.6; D6/686**

(58) **Field of Classification Search**
USPC D6/406.1, 406.2, 643, 643.1, 653, 654, D6/654.1, 655, 655.1, 655.16, 655.17, D6/656, 656.15, 663, 664, 686, 691, D6/691.1-691.9

CPC A45D 29/00; A45D 44/00; A45D 44/02; A45D 29/20; A45C 2007/0013; A45C 7/0022; A45C 5/141; A47B 3/002; A47B 2003/006; A47B 3/02; A47B 2003/025; A47B 3/10; A47B 7/00; A47B 9/20; A47B 11/00; A47B 21/00; A47B 2021/0307; A47B 21/0314; A47B 23/001; A47B 23/00; A47B 2200/00; A47B 2200/008; A47B 1/08; A47B 2001/085

See application file for complete search history.

(56) **References Cited**

U.S. PATENT DOCUMENTS

- 2,253,772 A * 8/1941 Edgren B44C 7/02 38/139
- 4,927,128 A * 5/1990 O'Brian A61G 13/105 269/901
- D420,527 S * 2/2000 Pinch D6/691.6
- D437,145 S * 2/2001 Leng D6/691.6

- 6,334,400 B1 * 1/2002 Nien A47B 3/087 108/115
- D515,841 S * 2/2006 Hsu D6/691.6
- D774,808 S * 12/2016 Lin D6/691
- 9,750,338 B2 * 9/2017 Turner A47B 3/0818
- 10,470,561 B2 * 11/2019 Clegg A47B 9/20
- D870,498 S * 12/2019 Wang D6/686
- D887,755 S * 6/2020 McCaffrey D6/686
- D909,786 S * 2/2021 Wavomba D6/406.6
- D970,939 S * 11/2022 Li D6/686
- D972,349 S * 12/2022 Chen D6/691.6

OTHER PUBLICATIONS

Redcamp, posted at amazon.com, posted on Dec. 13, 2019, site visited Jan. 11, 2023. online, available from internet: <https://www.amazon.com/dp/B082PFD1F6/> (Year: 2019).*

* cited by examiner

Primary Examiner — Catherine Ho

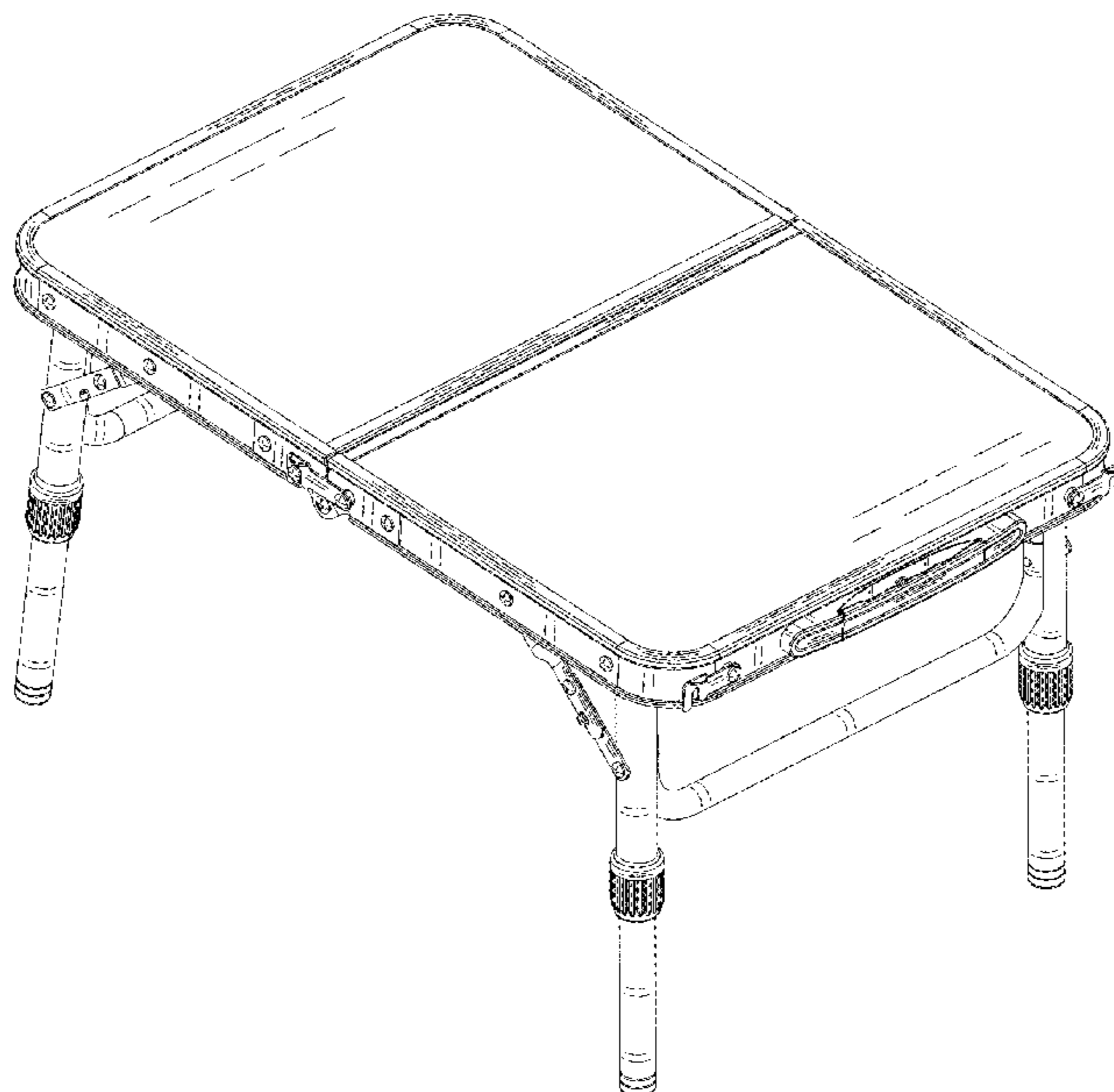
(57) **CLAIM**

I claim the ornamental design for a combined folding camping table with telescoping legs, as shown and described.

DESCRIPTION

FIG. 1 is a perspective view of a combined folding camping table with telescoping legs, showing my new design; FIG. 2 is a front elevational view thereof; FIG. 3 is a rear elevational view thereof; FIG. 4 is a left side elevational view thereof; FIG. 5 is a right side elevational view thereof; FIG. 6 is a top plan view thereof; FIG. 7 is a bottom plan view thereof; and, FIG. 8 is a perspective view of a combined folding camping table with telescoping legs in a folded configuration.

1 Claim, 8 Drawing Sheets



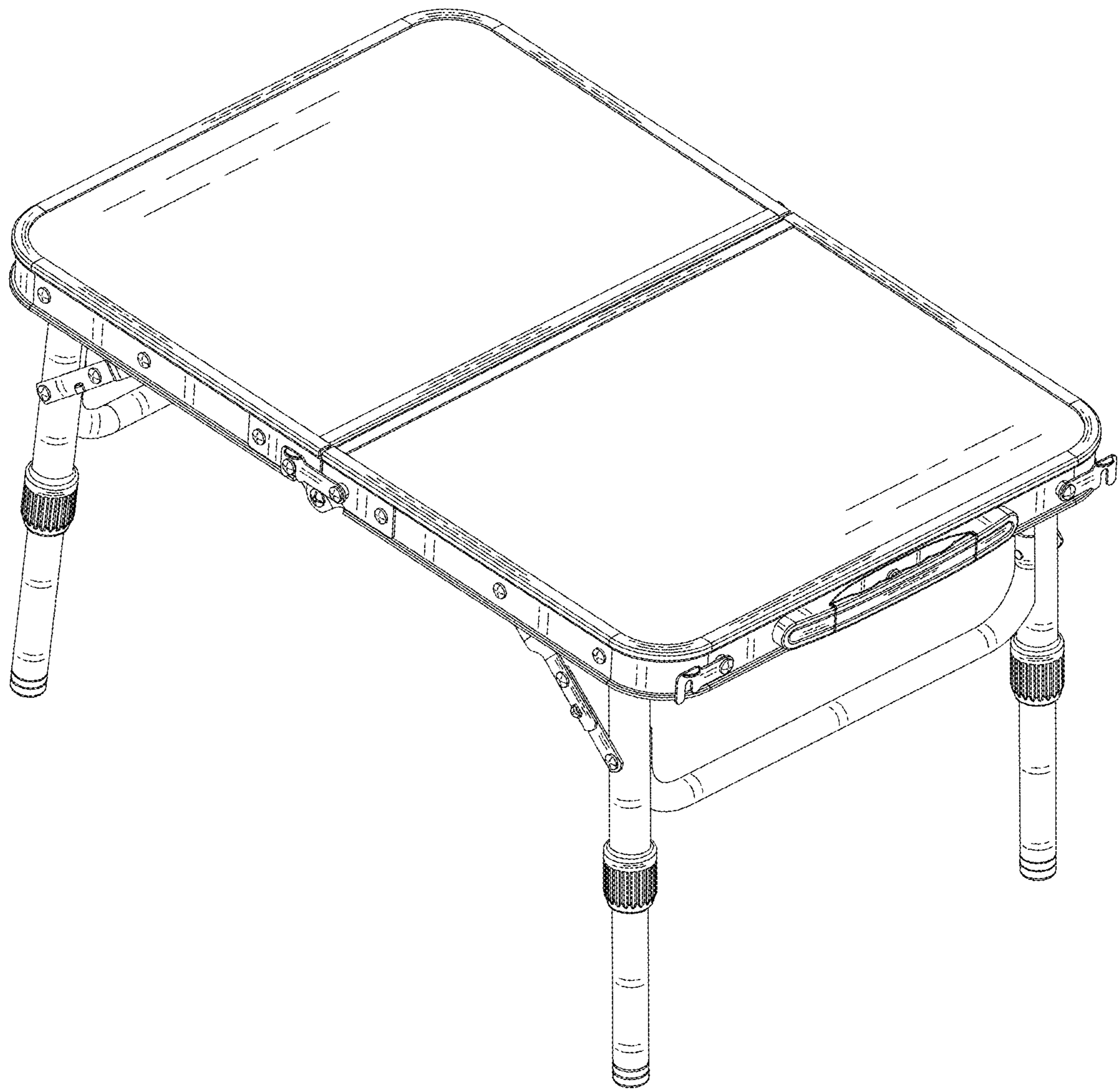


FIG. 1

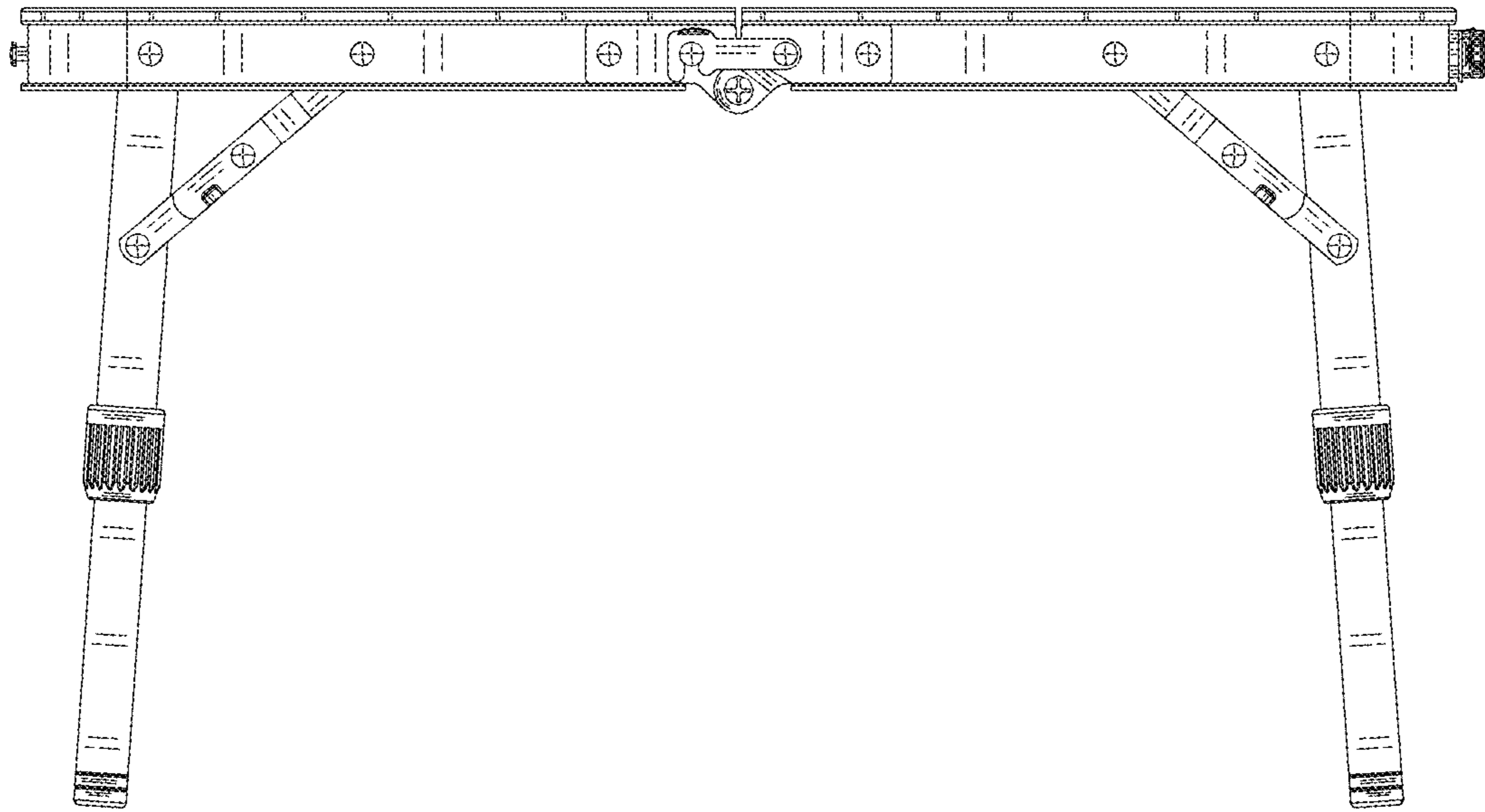


FIG.2

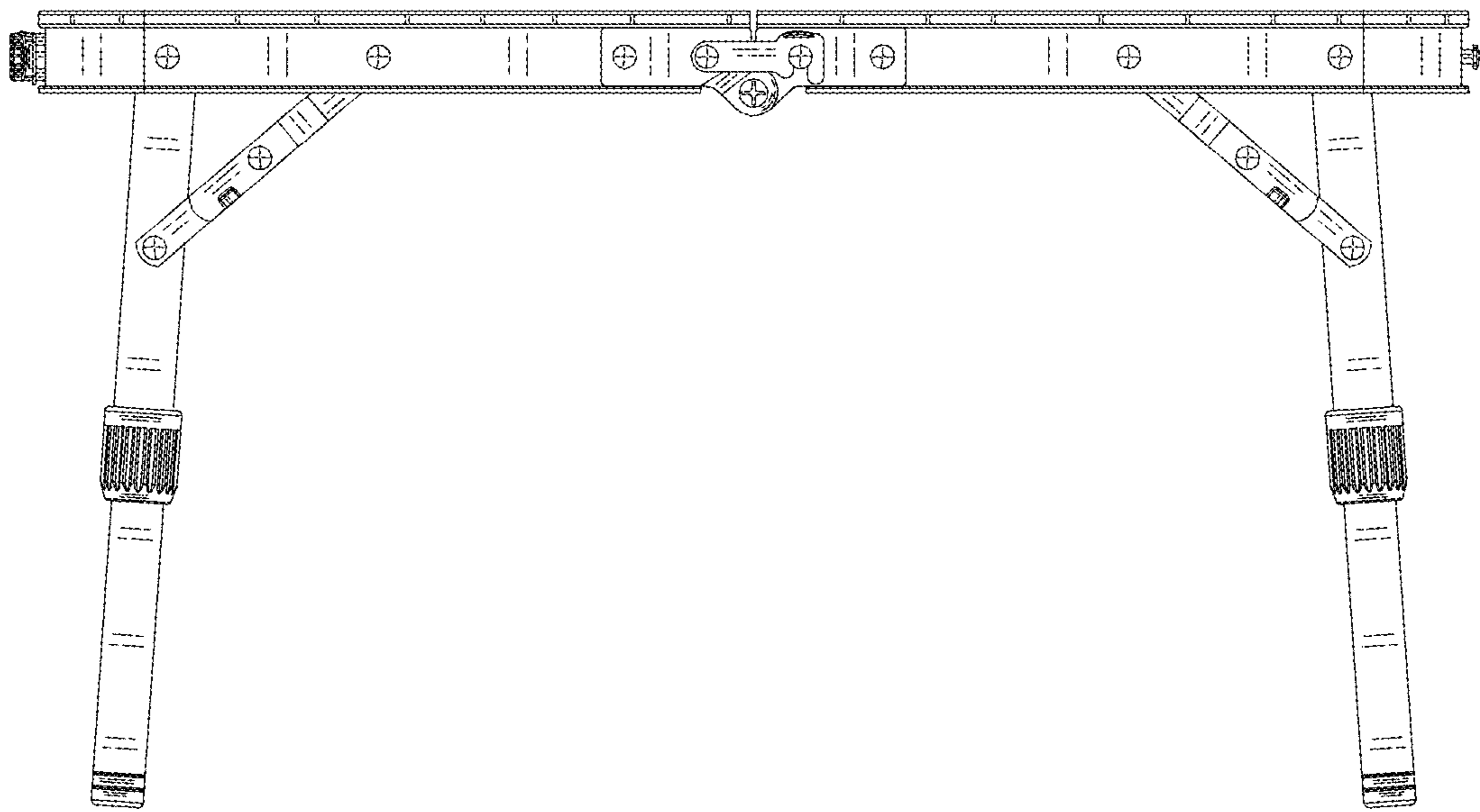


FIG.3

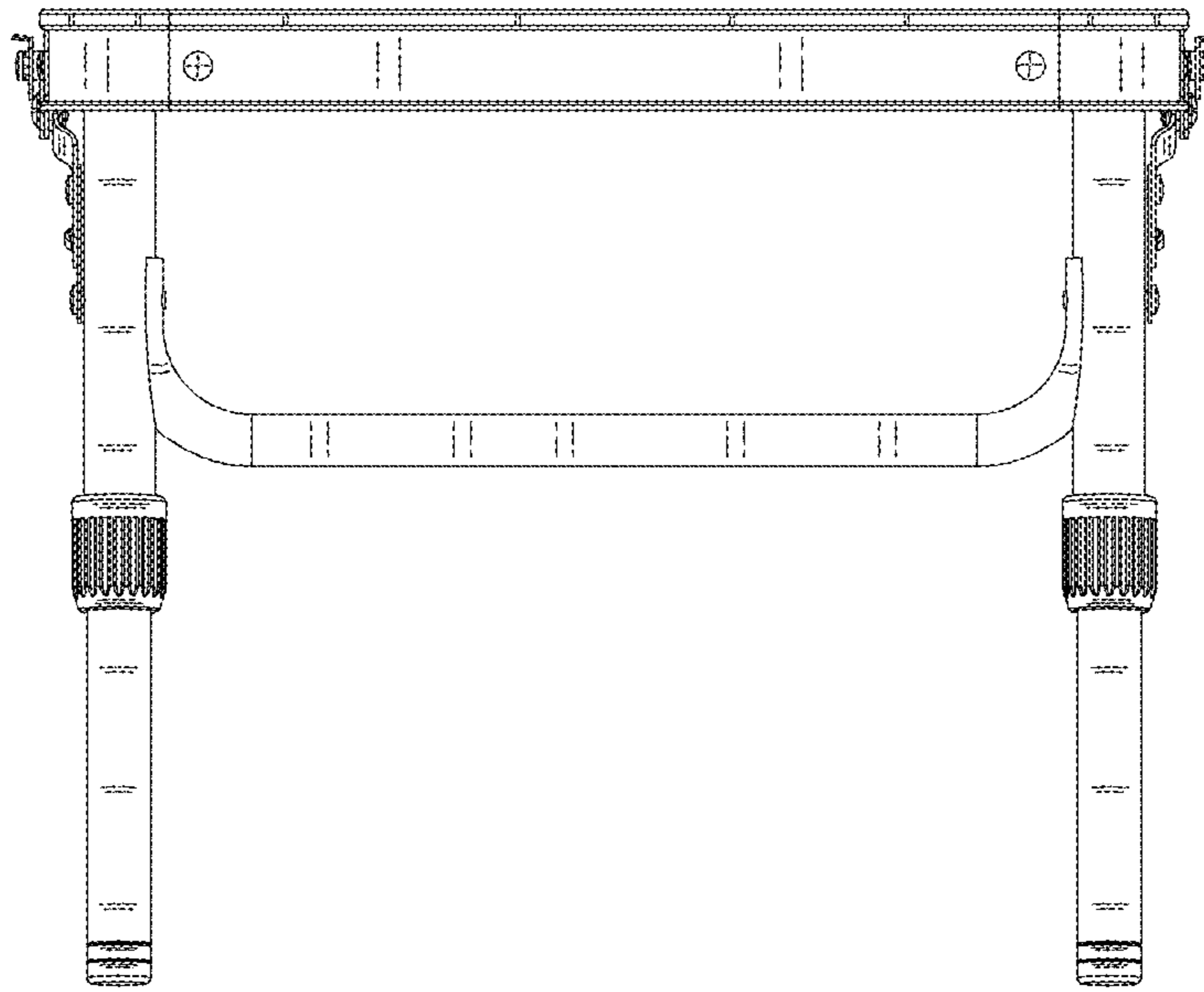


FIG.4

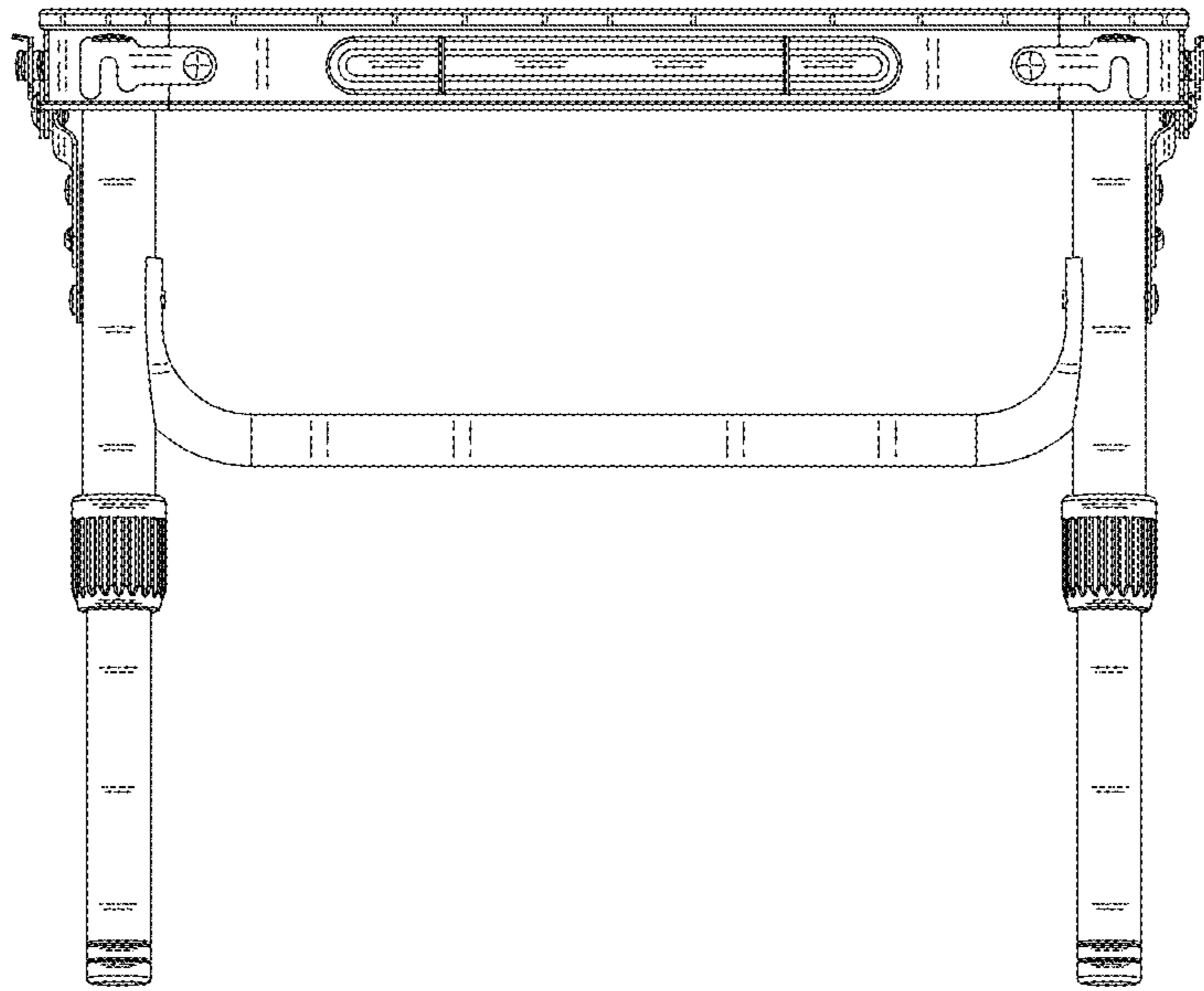


FIG.5

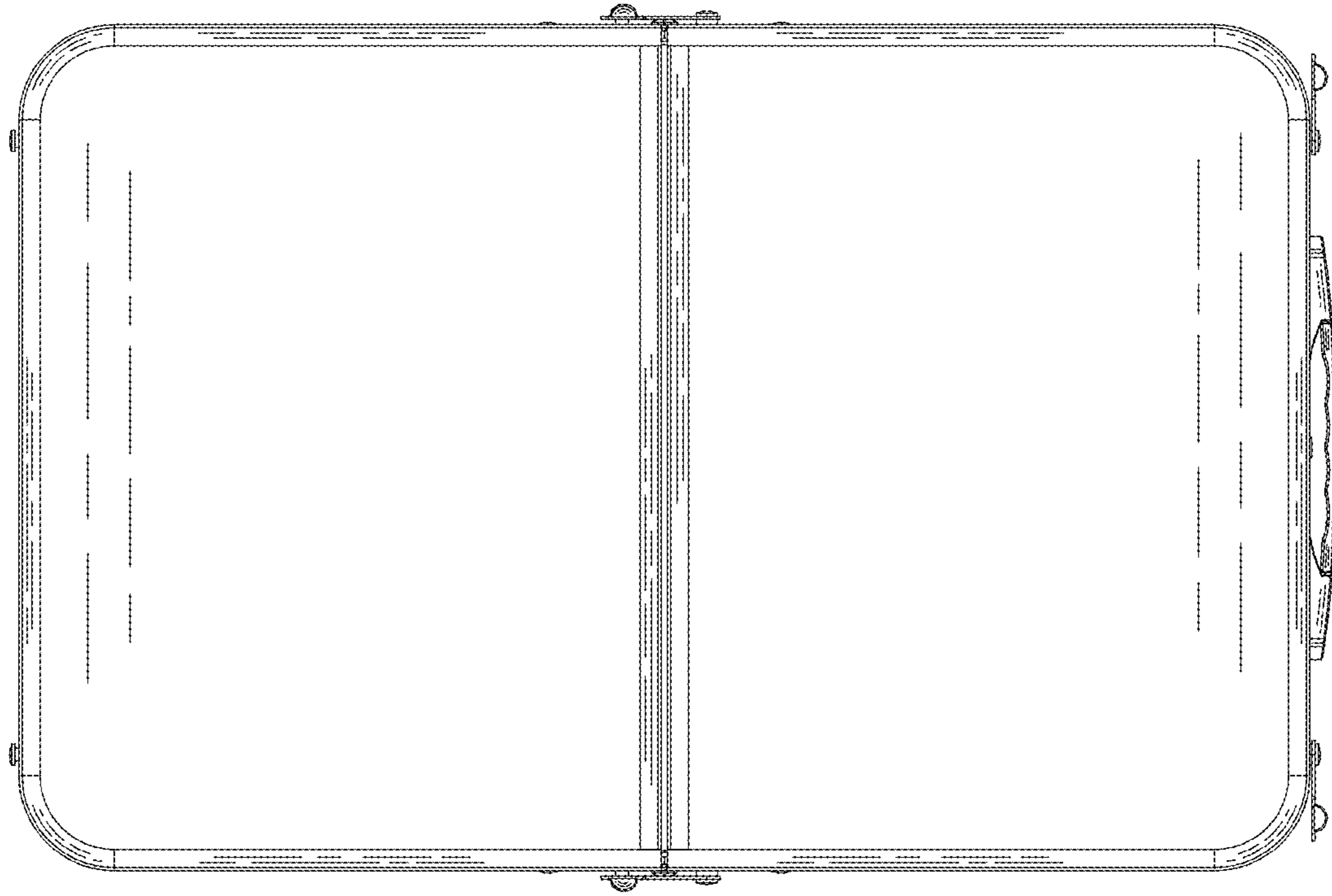


FIG.6

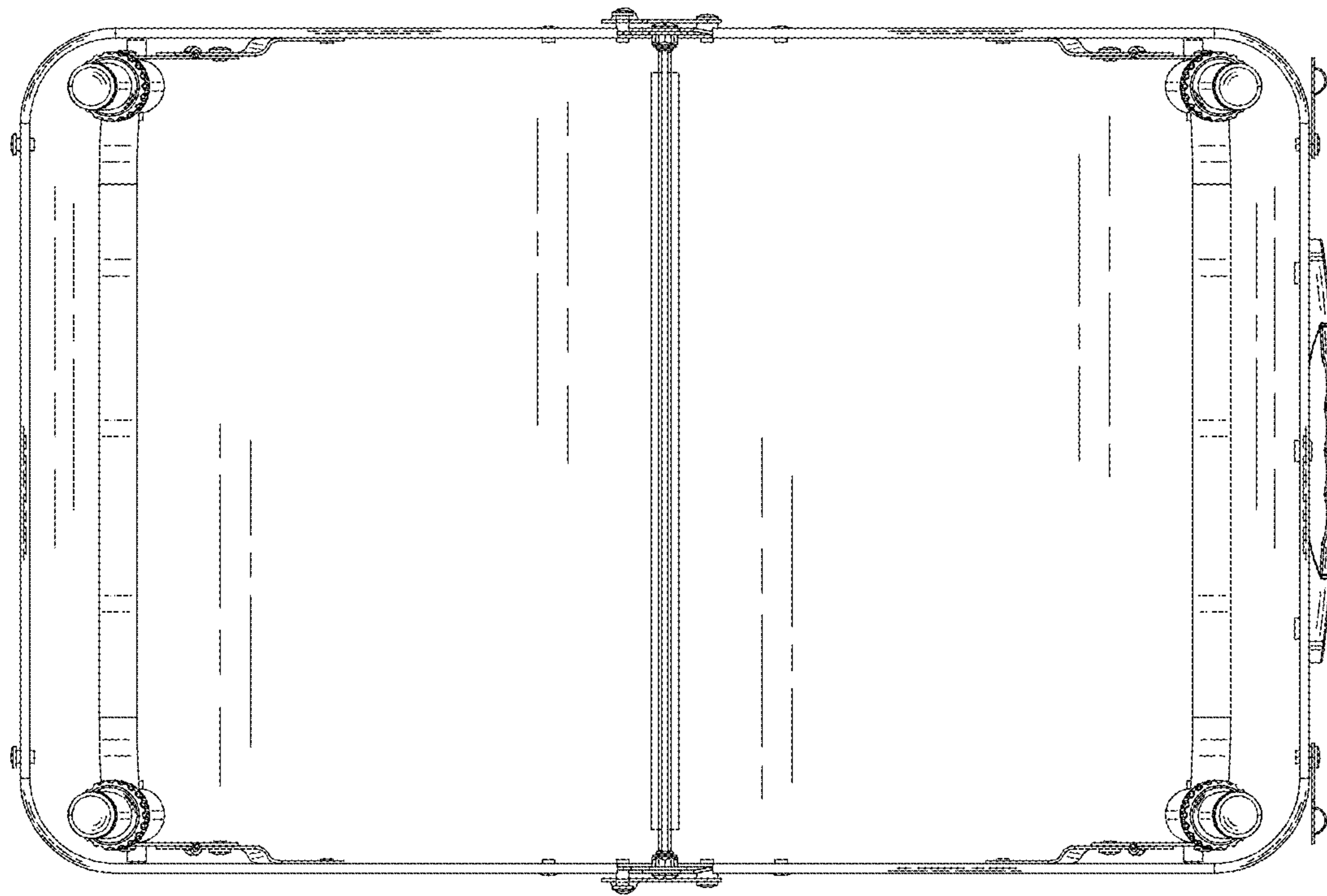


FIG.7

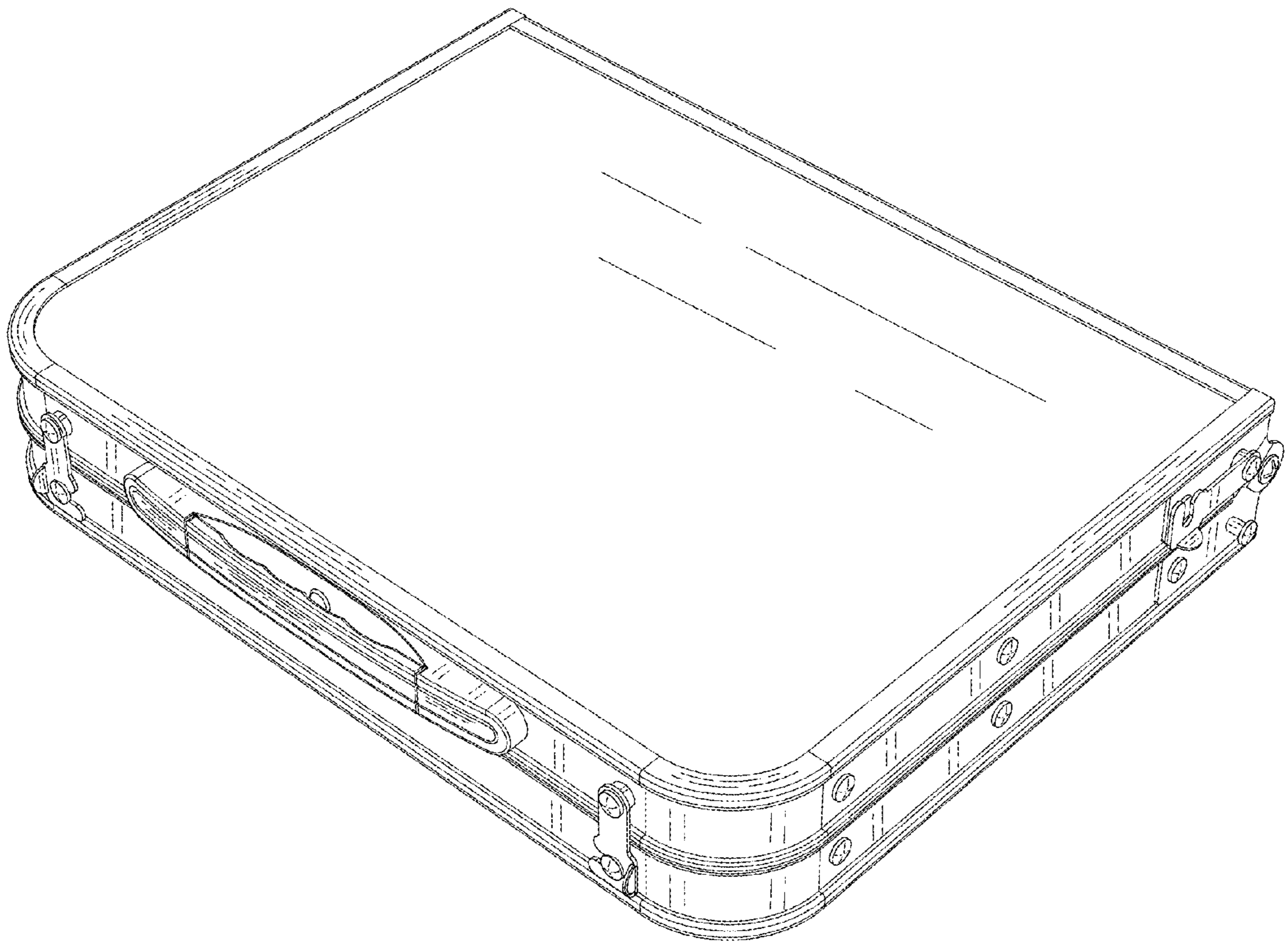


FIG.8