



US00D988044S

(12) **United States Design Patent**
Gunn

(10) **Patent No.:** **US D988,044 S**
(45) **Date of Patent:** **** Jun. 6, 2023**

- (54) **BEDSIDE TABLE**
- (71) Applicant: **Chardonay Gunn**, Memphis, TN (US)
- (72) Inventor: **Chardonay Gunn**, Memphis, TN (US)
- (**) Term: **15 Years**
- (21) Appl. No.: **29/784,341**
- (22) Filed: **May 19, 2021**
- (51) **LOC (14) Cl.** **06-06**
- (52) **U.S. Cl.**
USPC **D6/406.1**
- (58) **Field of Classification Search**
USPC D6/406.1, 406.2, 643, 643.1, 653, 654, D6/654.1, 655, 655.1, 655.16, 655.17, D6/656, 656.15, 663, 664, 686, 691, D6/691.1-691.9
CPC A45D 29/00; A45D 44/00; A45D 44/02; A45D 29/20; A45C 2007/0013; A45C 7/0022; A45C 5/141; A47B 3/002; A47B 2003/006; A47B 3/02; A47B 2003/025; A47B 3/10; A47B 7/00; A47B 9/20; A47B 11/00; A47B 21/00; A47B 2021/0307; A47B 21/0314; A47B 23/001; A47B 23/00; A47B 2200/00; A47B 2200/008; A47B 1/08; A47B 2001/085; A47B 23/046; A47B 2023/047; A47B 2200/0031; A47B 2200/05; A47B 13/081; A47B 13/023
See application file for complete search history.

- (56) **References Cited**
U.S. PATENT DOCUMENTS
1,867,763 A * 7/1932 Rose A47B 23/046 108/146
2,346,919 A * 4/1944 Hillenbrand A47B 23/046 312/316

- D145,777 S * 10/1946 Clachko D6/406.4
- D149,793 S * 6/1948 Burst D8/382
- D169,460 S * 4/1953 Smith D6/406.4
- 2,685,487 A * 8/1954 Woller A47B 23/046 108/146
- 2,749,197 A * 6/1956 Smith A47B 23/046 108/147
- 2,848,290 A * 8/1958 Doty A47B 23/046 108/4
- 3,188,986 A * 6/1965 La Vigne A47B 23/046 108/146
- 3,854,428 A * 12/1974 Fullenkamp A47B 9/00 248/408
- 3,890,907 A * 6/1975 Peterson A47B 23/046 108/146
- 3,910,659 A * 10/1975 Peterson A47B 13/081 312/226
- 4,077,333 A * 3/1978 Ballas A47B 23/046 312/231
- 5,295,452 A * 3/1994 Frye D05B 75/00 112/260
- 5,427,292 A * 6/1995 Rousch B60N 3/103 224/572
- D423,290 S * 4/2000 Green D7/553.5

(Continued)

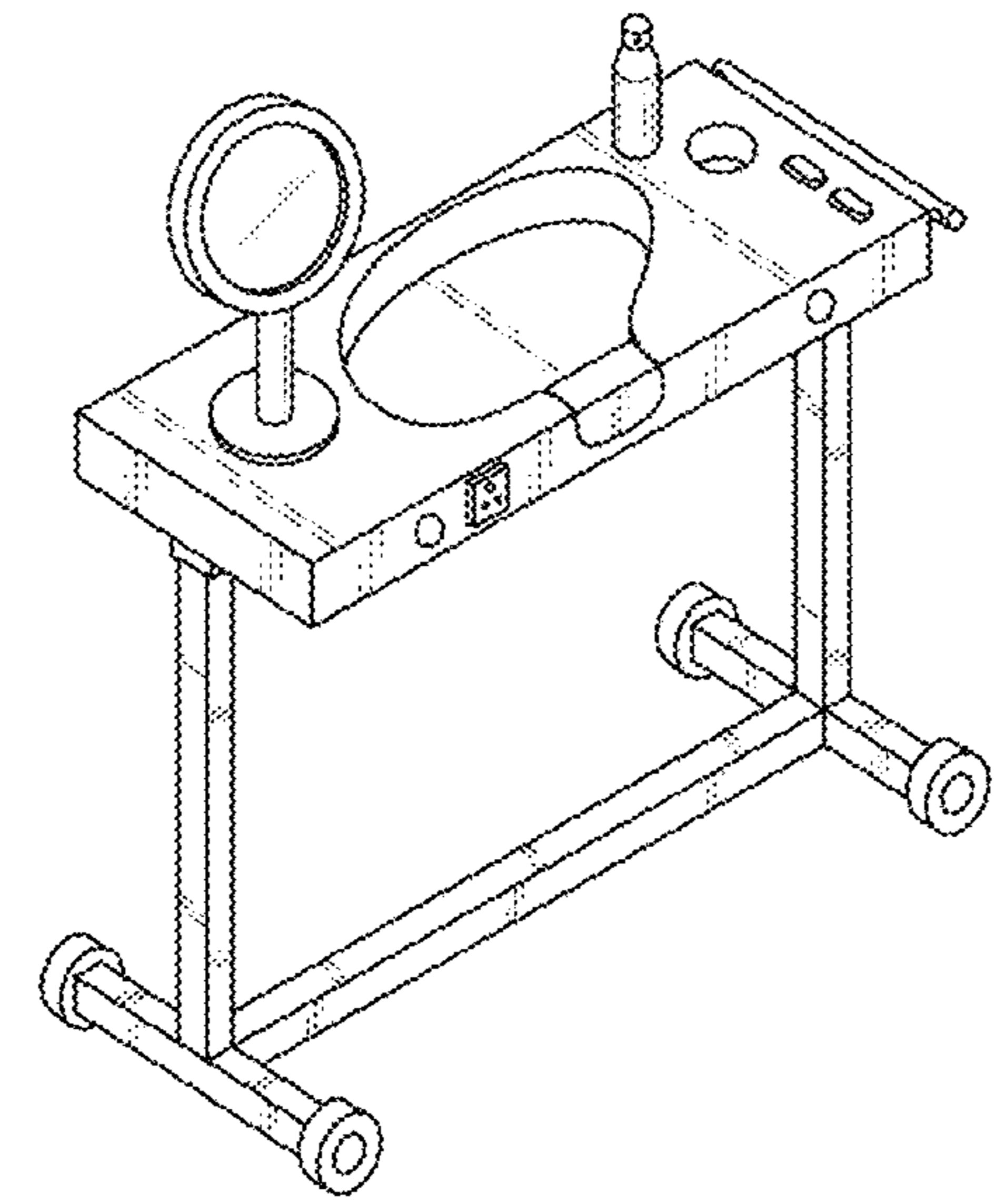
Primary Examiner — Catherine Ho
(74) *Attorney, Agent, or Firm* — Hulsey P.C.

(57) **CLAIM**
I claim the ornamental design for a bedside table, as shown and described.

DESCRIPTION

FIG. 1 is a perspective view of a bedside table, showing my new design;
FIG. 2 is a front elevational view of FIG. 1;
FIG. 3 is a rear elevational view of FIG. 1;
FIG. 4 is a left elevational view of FIG. 1;
FIG. 5 is a right side-elevational view of FIG. 1;
FIG. 6 is a top plan view of FIG. 1; and,
FIG. 7 is a bottom plan view of FIG. 1.

1 Claim, 4 Drawing Sheets



(56)

References Cited

U.S. PATENT DOCUMENTS

D588,829 S * 3/2009 Rheault D6/406.1
8,082,857 B2 * 12/2011 George G08B 21/0453
108/50.01
8,100,061 B2 * 1/2012 Hookway A47B 23/046
108/50.01
8,839,725 B2 * 9/2014 Kooistra A47B 13/088
108/147
D829,474 S * 10/2018 Neri D6/686
2015/0257528 A1 * 9/2015 Rosing A47B 23/046
108/3
2016/0331134 A1 * 11/2016 Harrington A47B 23/043

* cited by examiner

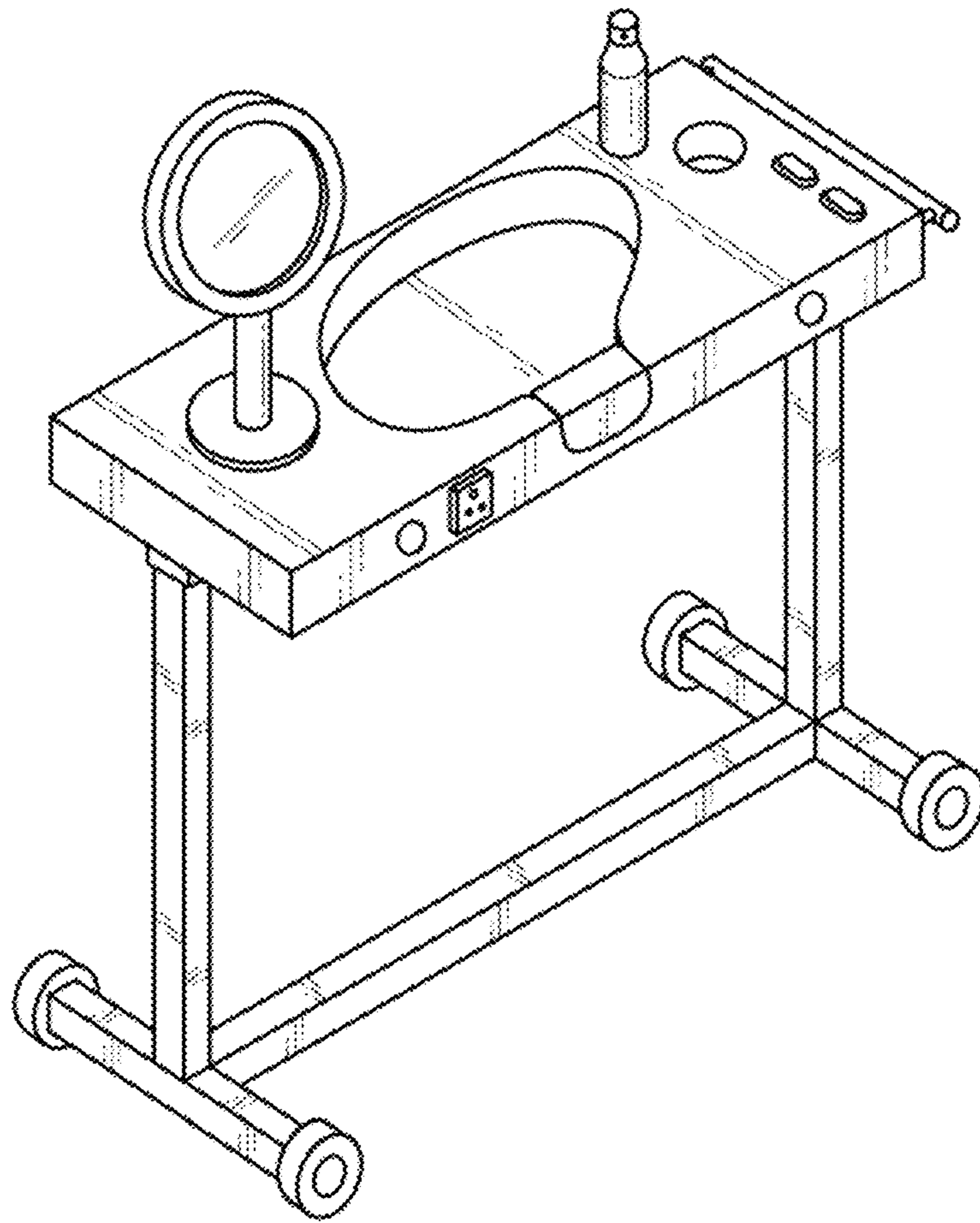


FIG. 1

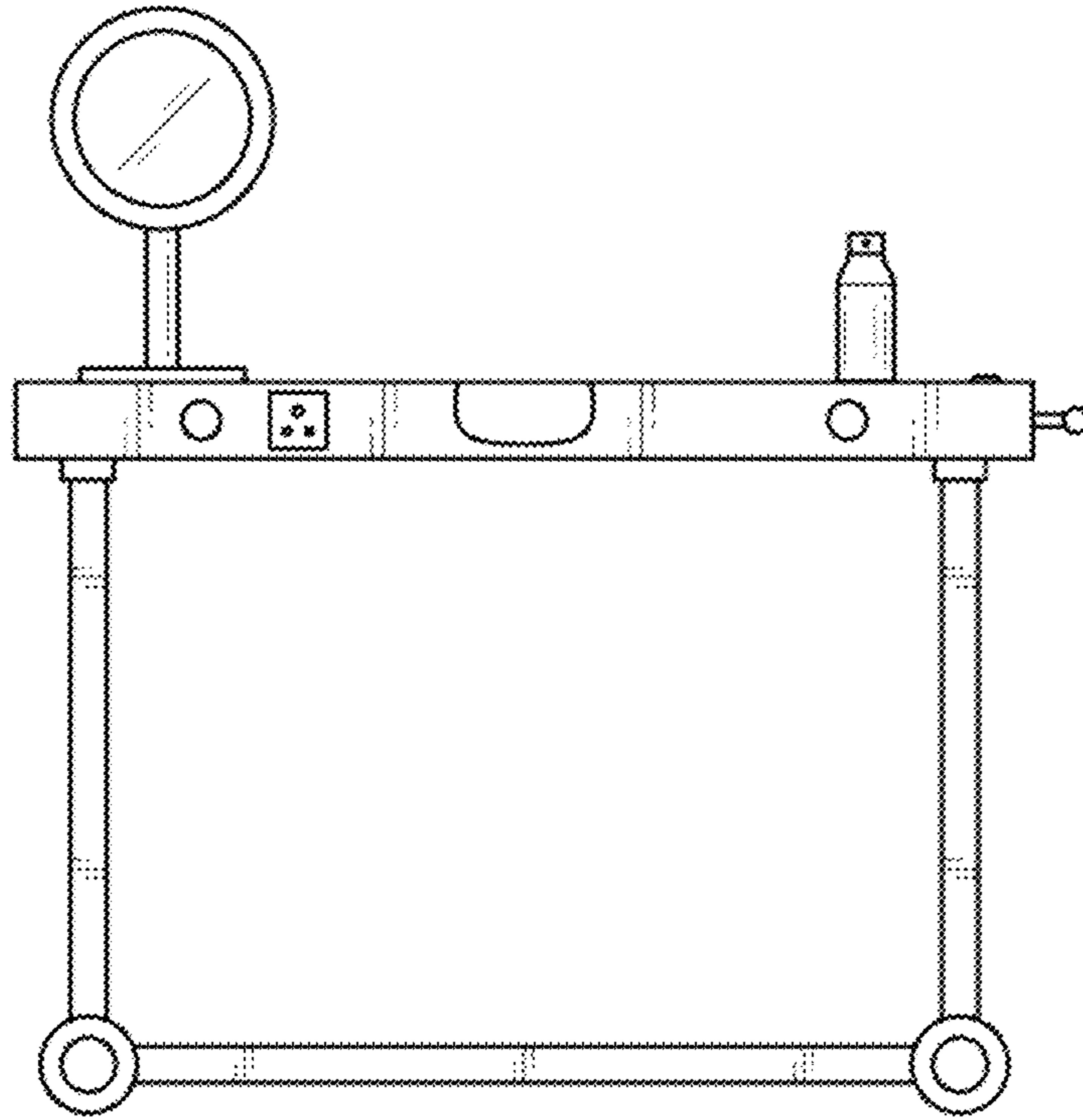


FIG. 2

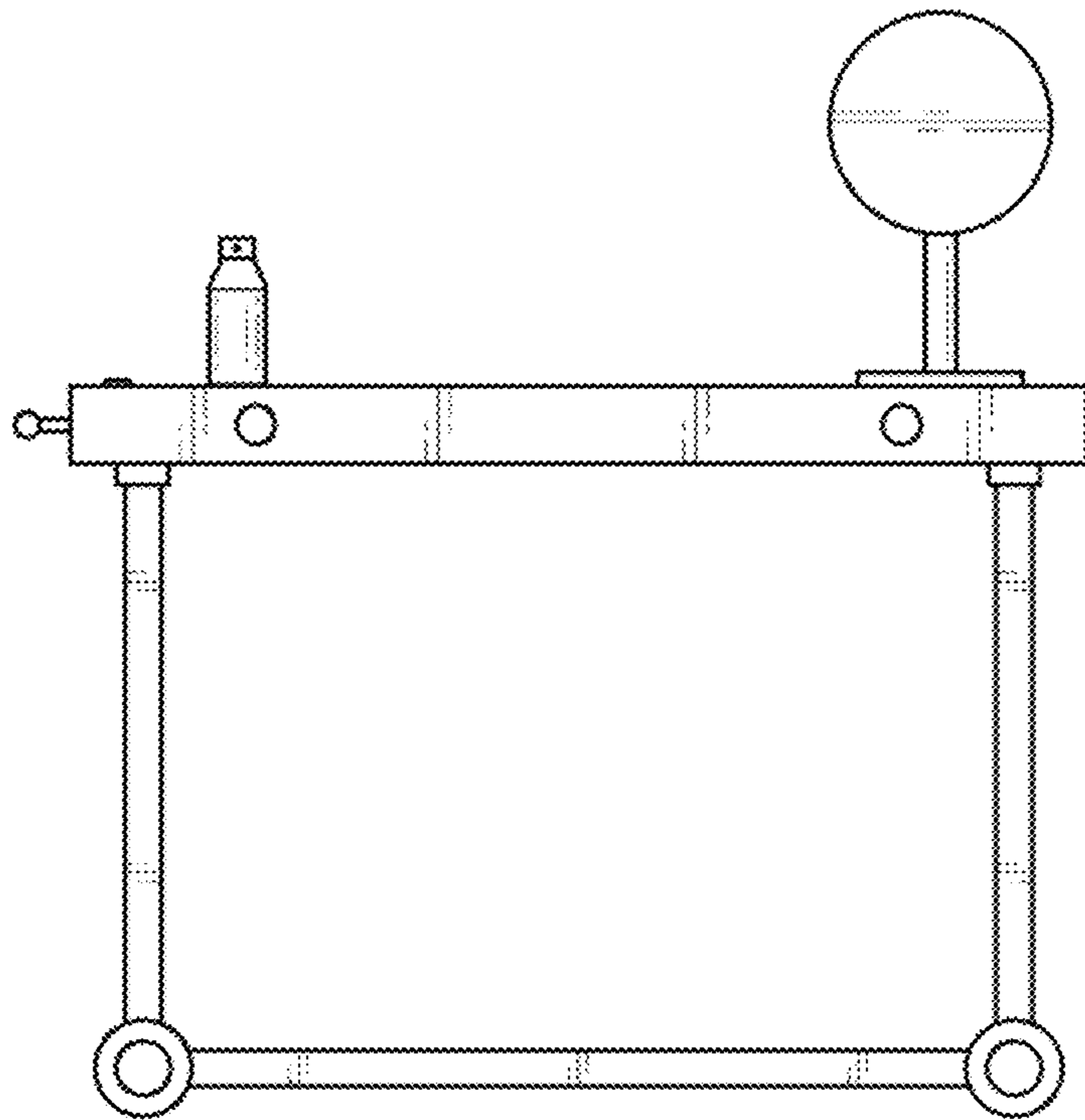


FIG. 3

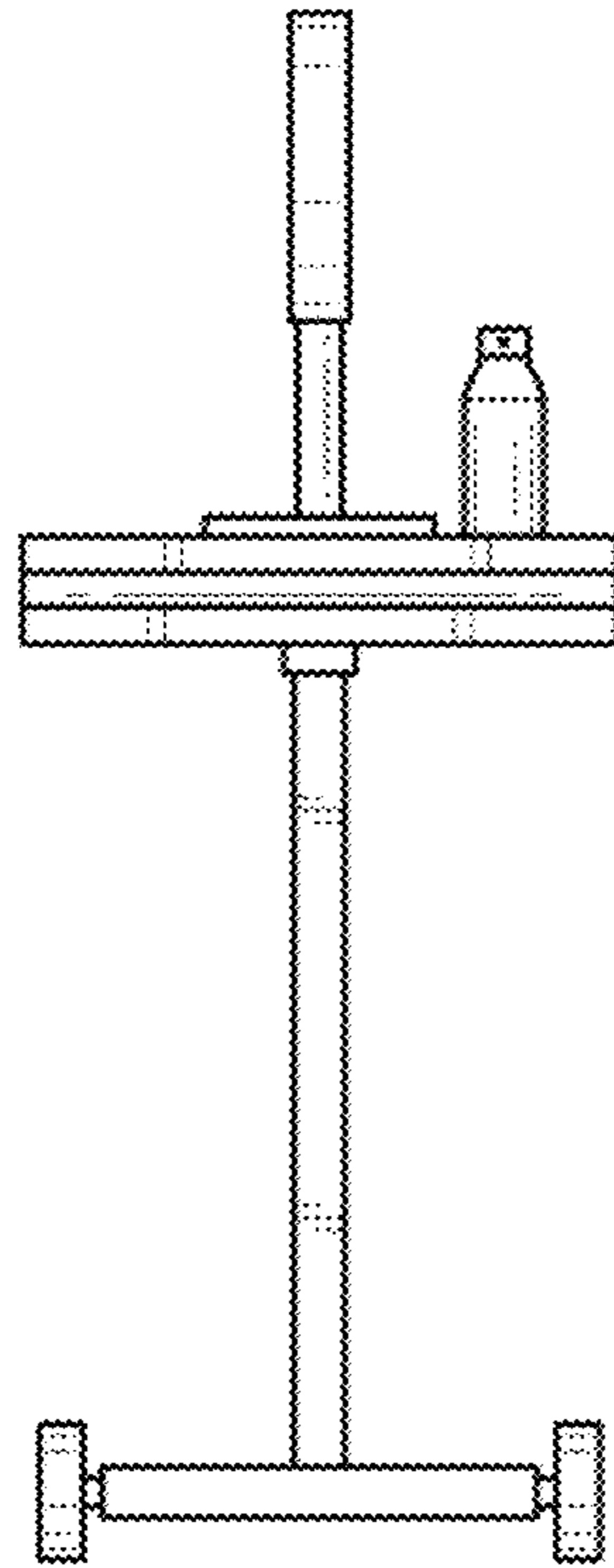


FIG. 4

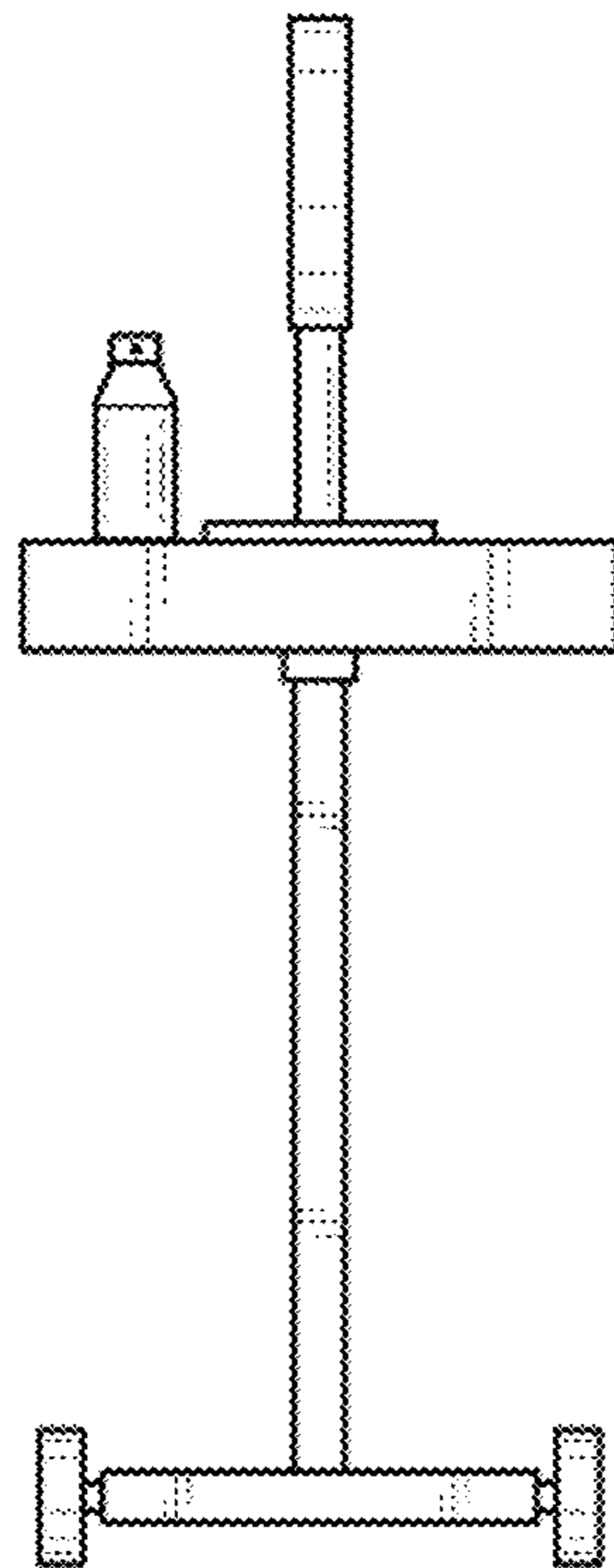


FIG. 5

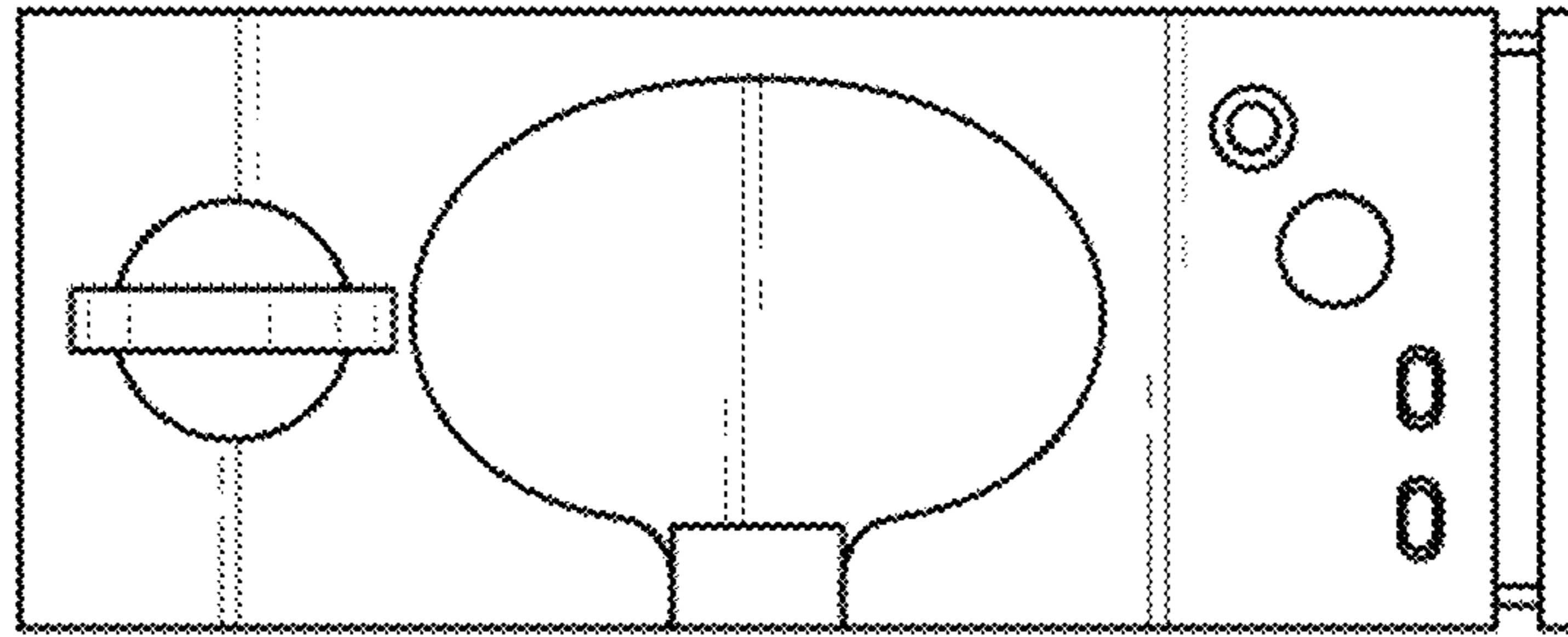


FIG. 6

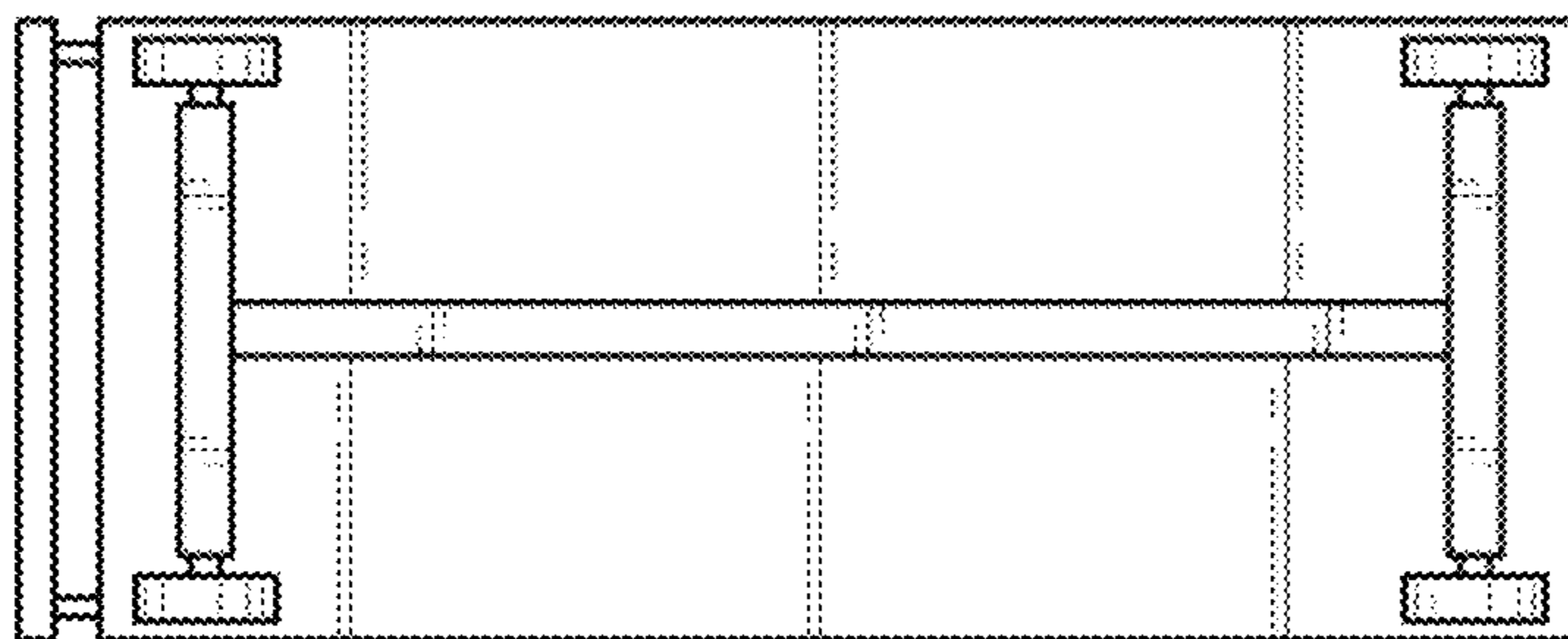


FIG. 7