



US00D988043S

(12) **United States Design Patent** (10) **Patent No.:** **US D988,043 S**  
**Tan** (45) **Date of Patent:** **\*\* Jun. 6, 2023**

(54) **JEWELRY ORGANIZER**

(71) Applicant: **Pingping Chloe Tan**, Los Angeles, CA (US)

(72) Inventor: **Pingping Chloe Tan**, Los Angeles, CA (US)

(\*\*) Term: **15 Years**

(21) Appl. No.: **29/777,644**

(22) Filed: **Apr. 7, 2021**

(51) **LOC (14) Cl.** ..... **06-04**

(52) **U.S. Cl.**  
USPC ..... **D6/682.6**

(58) **Field of Classification Search**  
USPC ..... D3/903; D6/553, 574, 672, 682.6, 571,  
D6/681.1, 682.2; D8/349, 354, 363, 373,  
D8/380; D9/415; D11/86

CPC ..... A47F 7/02; A47F 5/02  
See application file for complete search history.

(56) **References Cited**

U.S. PATENT DOCUMENTS

D293,404 S	12/1987	Murphy	
D305,190 S	12/1989	Winter	
D338,117 S *	8/1993	Caldwell	D6/682.2
D396,363 S *	7/1998	Skrum	D6/682.2
D468,559 S *	1/2003	Hollingsworth	D6/682.2
D591,085 S *	4/2009	Burns	D6/681.1
D592,436 S	5/2009	Thompson	
D602,295 S *	10/2009	Ferguson	D6/572
D888,473 S *	6/2020	Li	D6/682.6
D888,474 S *	6/2020	Li	D6/682.6
D904,070 S	12/2020	Lai	
D916,514 S *	4/2021	Lai	D6/571
D937,005 S *	11/2021	Lai	D6/574
D945,790 S *	3/2022	Lan	D6/553
D952,377 S *	5/2022	Richardson	D6/682.5

OTHER PUBLICATIONS

FigureGrain, White Oak Jewelry Organizer . . . —Sep. 1, 2020,etsy.com,URL:[https://www.etsy.com/listing/794351809/white-oak-jewelry-organizer-wall-mount?click\\_key=](https://www.etsy.com/listing/794351809/white-oak-jewelry-organizer-wall-mount?click_key=)

3bdd27583960a5e83247346a43e63367ae50e066%3A794351809  
&click\_sum=b2fafe49&ref=shop\_home\_feat\_1&bes=1&sts=1#reviews,4 pgs,retrieved Apr. 23, 2022 (Year: 2020).\*  
16 Hands, “Triangle Jewelry Organizer”: <https://www.16handsannarbor.com/shop/c/p/Triangle-Jewelry-Organizer-k38873137.htm> (accessed, captured, and archived Mar. 21, 2021).  
Aatriet, “Jewelry Organizer Wall Mounted, Rustic Hanging Earring Holder—Stylish Triangle Wooden Jewelry Display with Hooks for Rings, Earrings, Necklace and Accessories”: <https://www.amazon.com/Beautifulhome-Organizer-Triangle-Earrings-Accessories/dp/B07T95YDF5> (accessed, captured, and archived Mar. 21, 2021).

(Continued)

*Primary Examiner* — Mary Shannon Malley  
(74) *Attorney, Agent, or Firm* — Hairell Law Office, PLLC; Aundria Hairell

(57) **CLAIM**

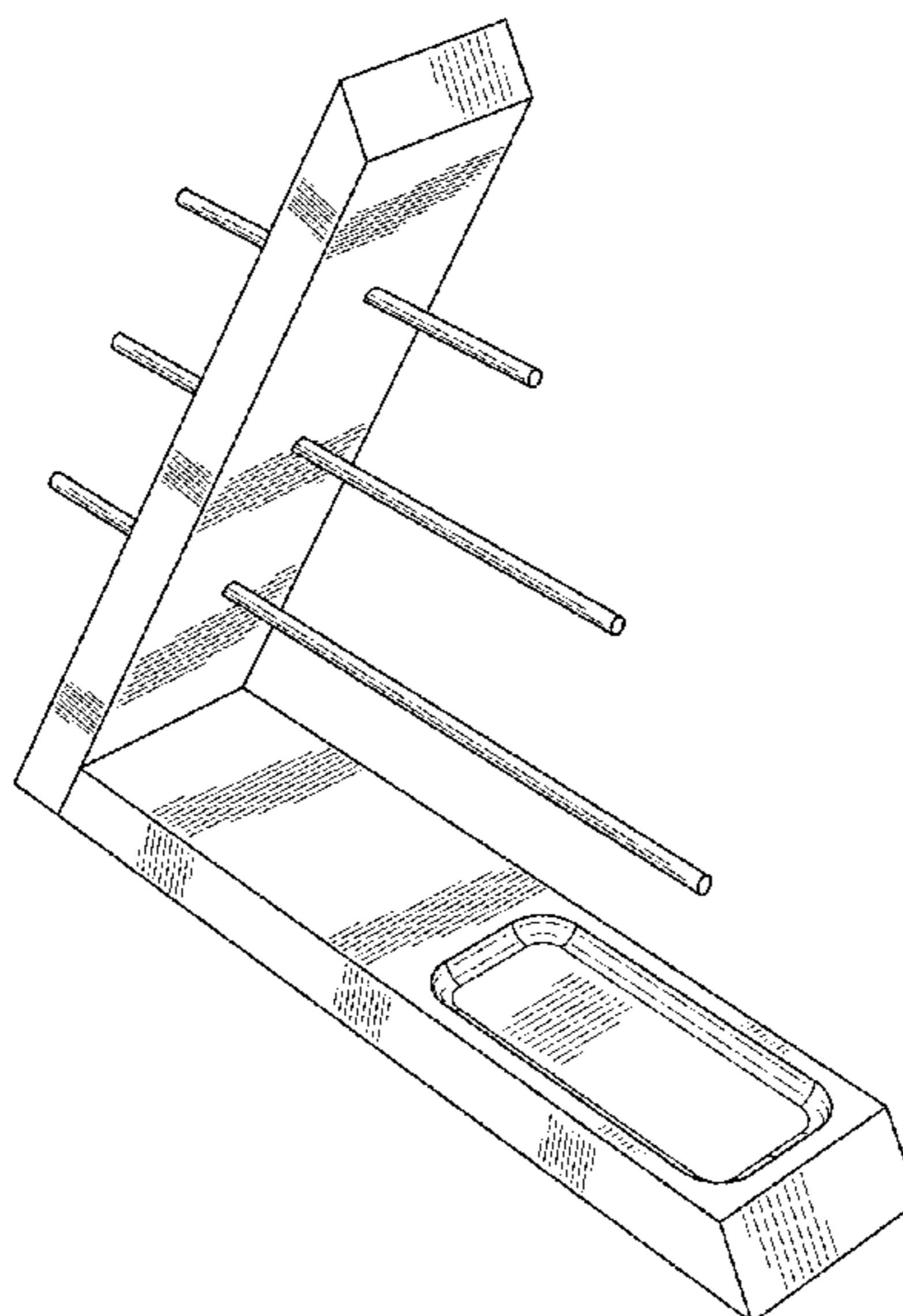
I claim the ornamental design for a jewelry organizer, as shown and described.

**DESCRIPTION**

FIG. 1 is a first perspective view, as seen from an upper-right-front direction.  
FIG. 2 is a second perspective view, as seen from a lower-left-rear direction.  
FIG. 3 is a front elevational view.  
FIG. 4 is a rear elevational view.  
FIG. 5 is a left elevational view.  
FIG. 6 is a right elevational view.  
FIG. 7 is a top plan view.  
FIG. 8 is a bottom plan view; and,  
FIG. 9 is a cross-sectional view taken along the line 9-9 of FIG. 7.

The broken lines depict portions of the jewelry organizer that form no part of the claimed design.

**1 Claim, 7 Drawing Sheets**



(56)

**References Cited**

OTHER PUBLICATIONS

Keebofly, "Hanging Wall Mounted Jewelry Organizer with Rustic Wood Jewelry Holder Display for Necklaces Bracelet Earrings Ring Set of 2 Carbonized Black", <https://www.amazon.com/dp/B088GZ3F2G> (accessed, captured, and archived Mar. 21, 2021).

Thewindychimes, "Jewelry Organizer Wall, Jewelry Storage, Wood Shelf, Earing Holder, Ring Holder, Jewelry Display, Necklace Storage, Necklace Holder, Modern", <https://www.etsy.com/listing/640269396/jewelry-organizer-wall-jewelry-storage> (accessed, captured, and archived Mar. 21, 2021).

@Figuregrain Instagram page, printed Oct. 10, 2022 with posts ranging from Feb. 25, 2020-Sep. 6, 2022, 4 pages, "Instagram Page".

@Figuregrain Instagram page, printed Oct. 10, 2022, posted Apr. 6, 2020, "First Product Launch".

@Figuregrain Instagram page, printed Oct. 10, 2022, posted Apr. 10, 2020, "Another Teaser".

\* cited by examiner

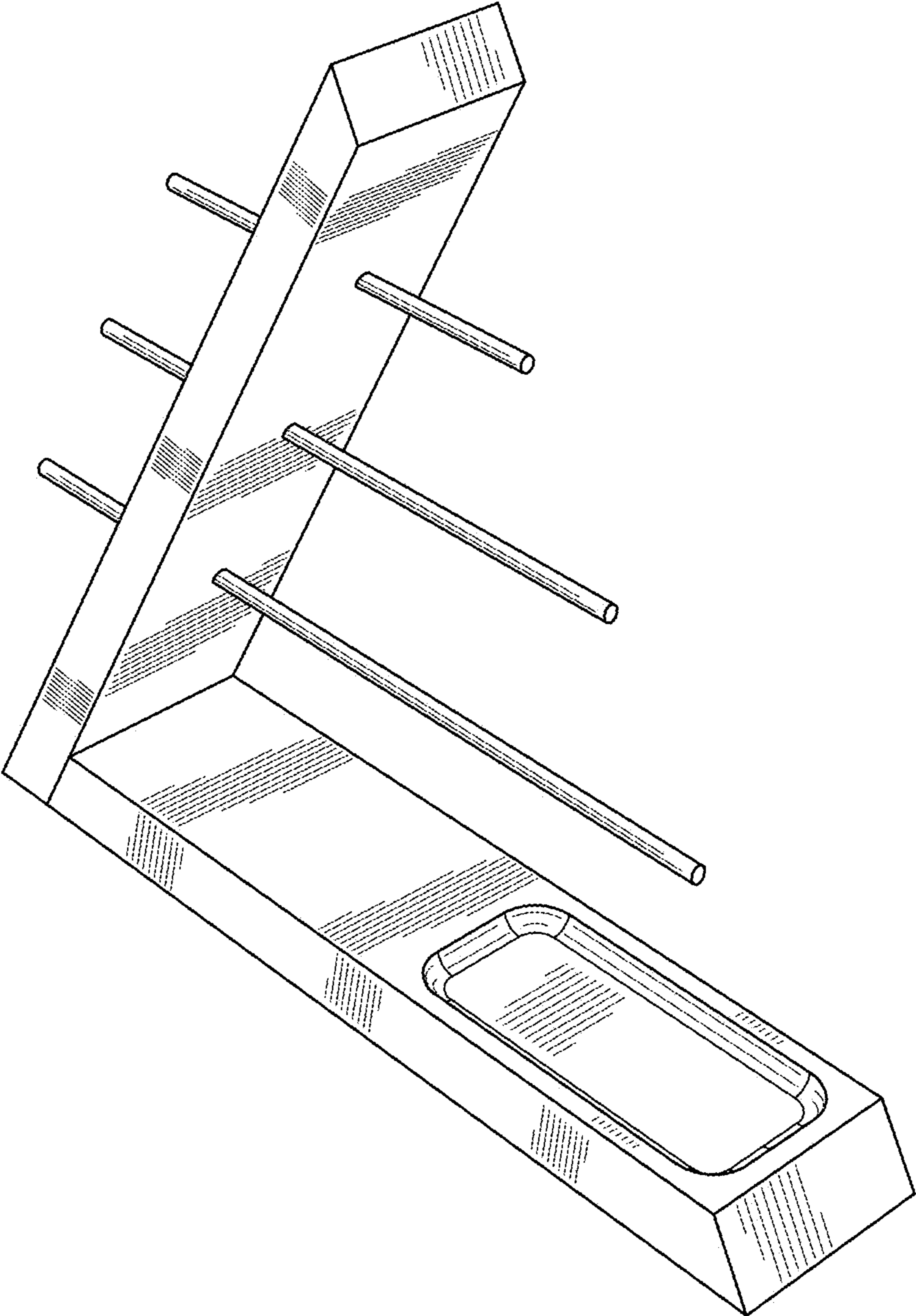


FIG. 1

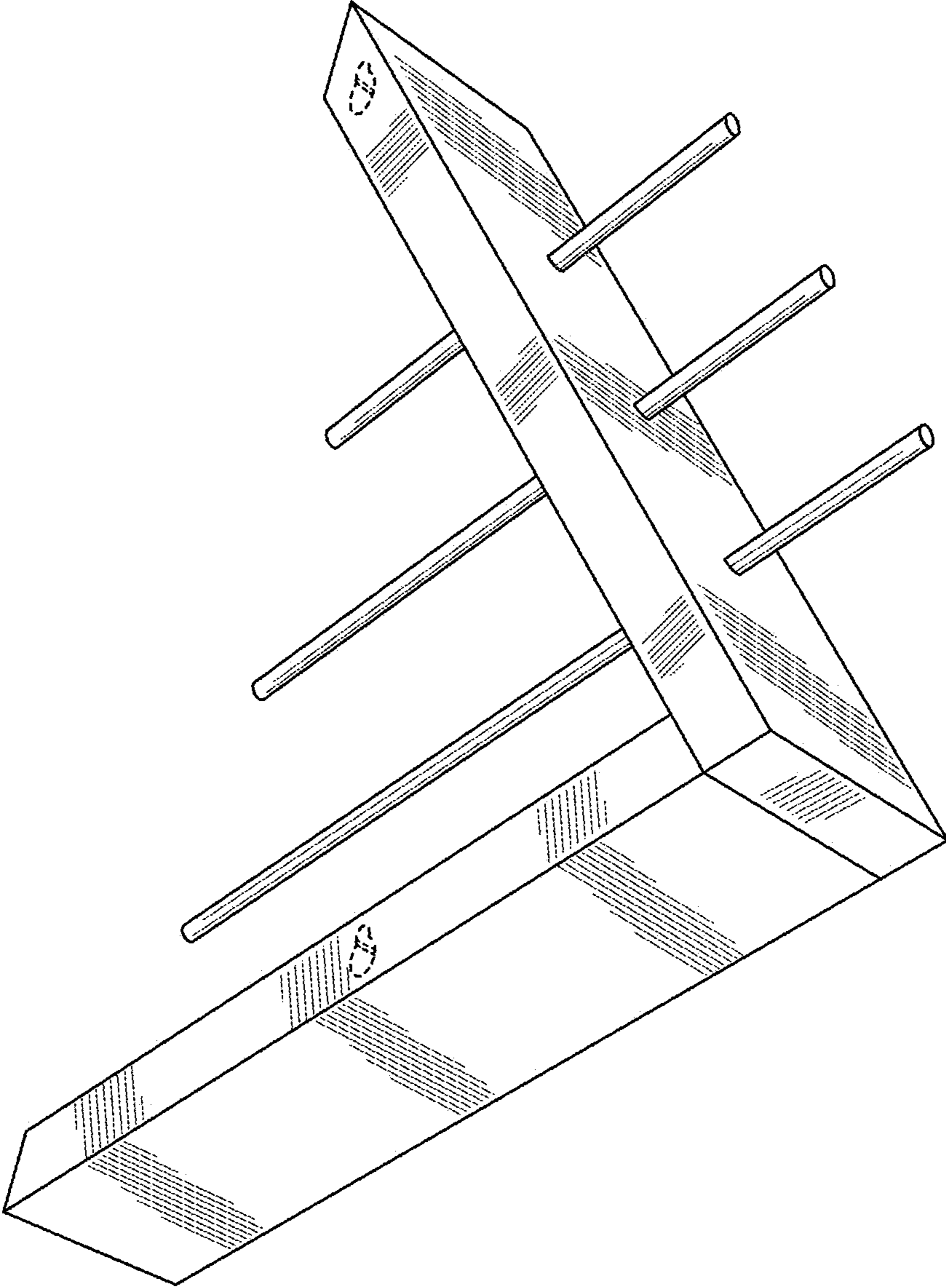


FIG. 2

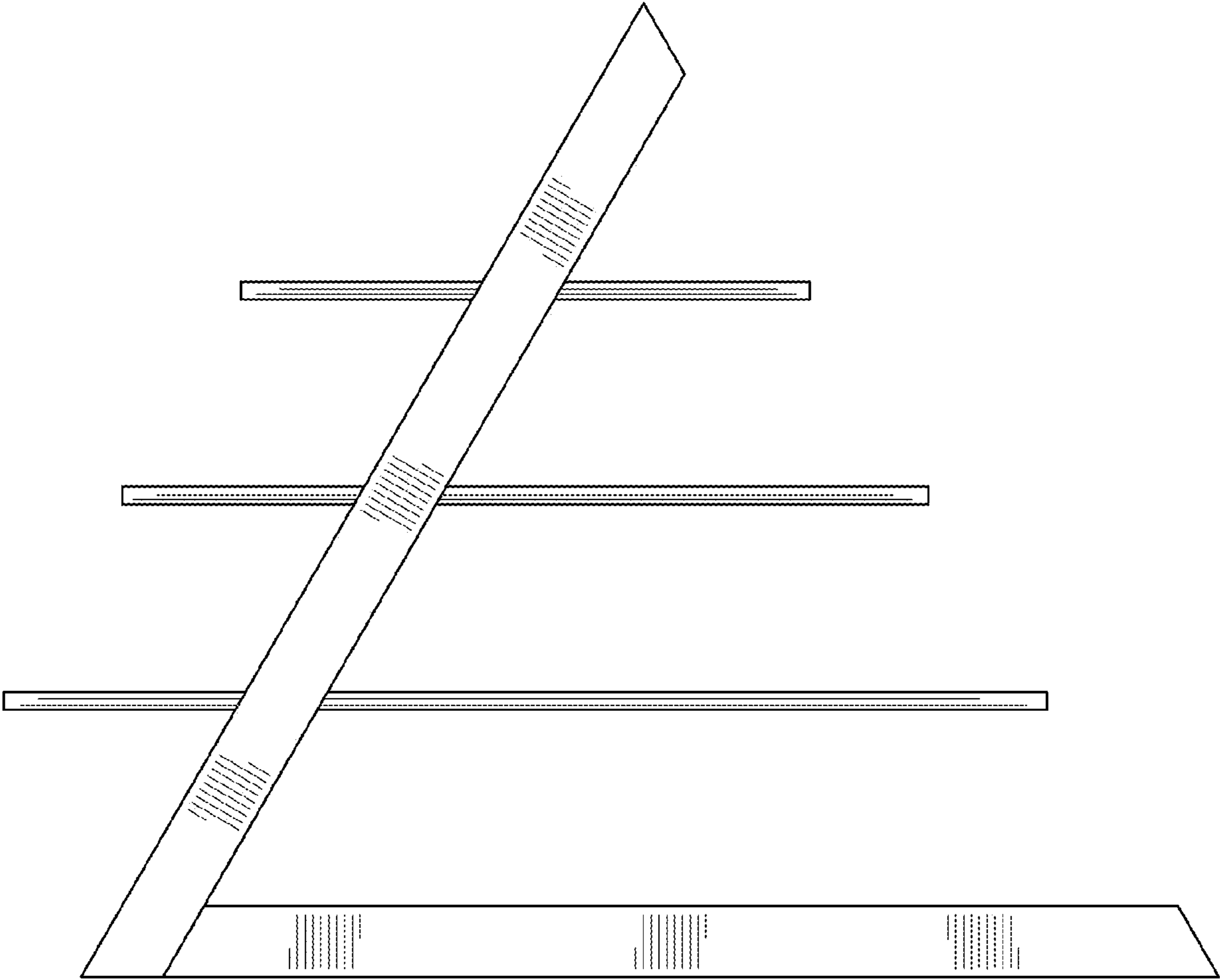


FIG. 3

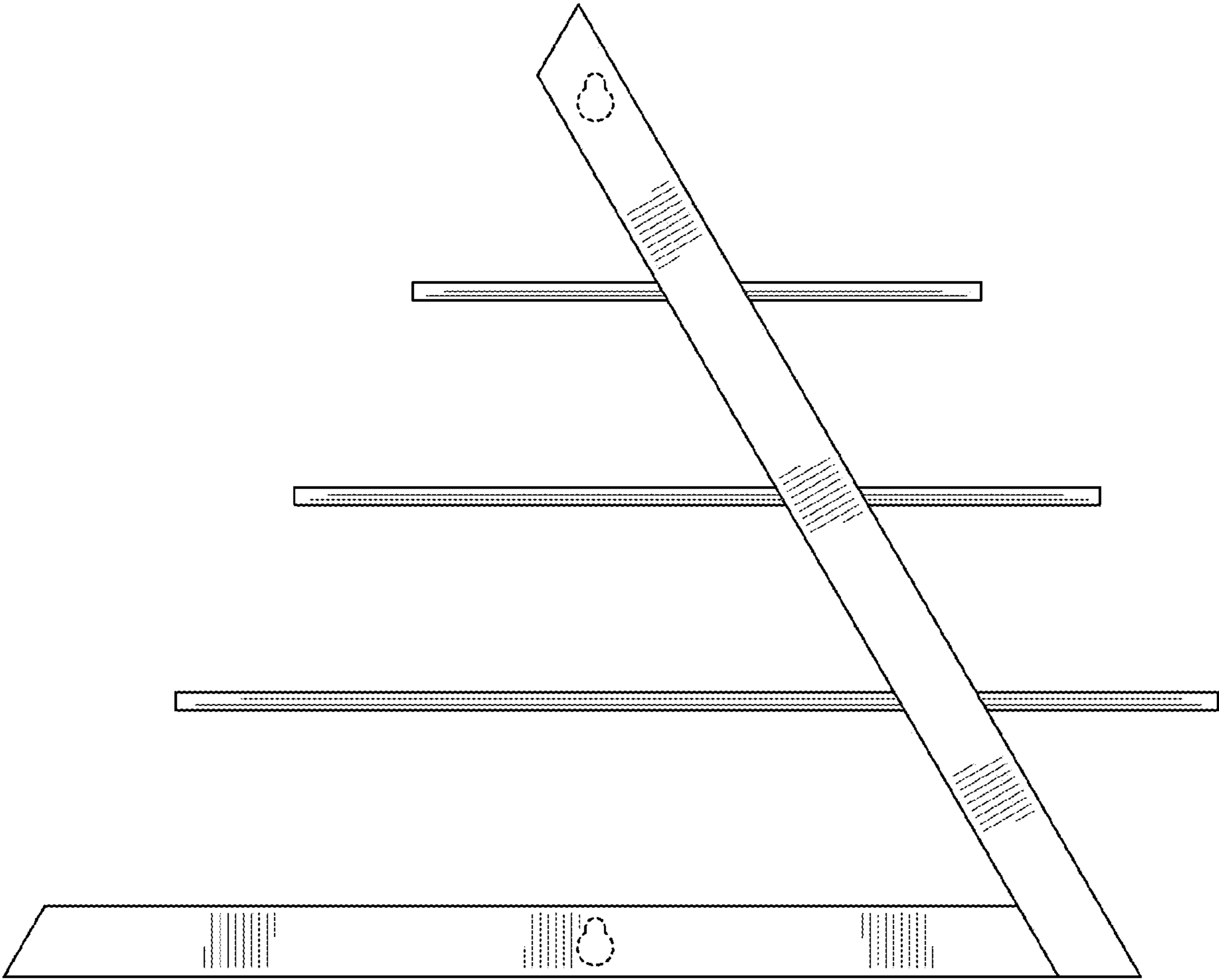


FIG. 4

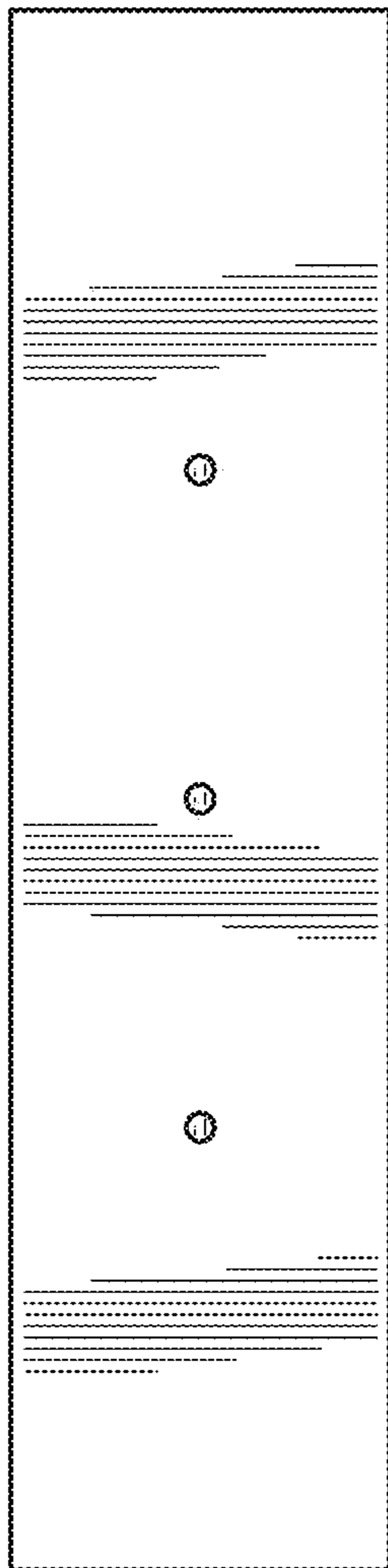


FIG. 5

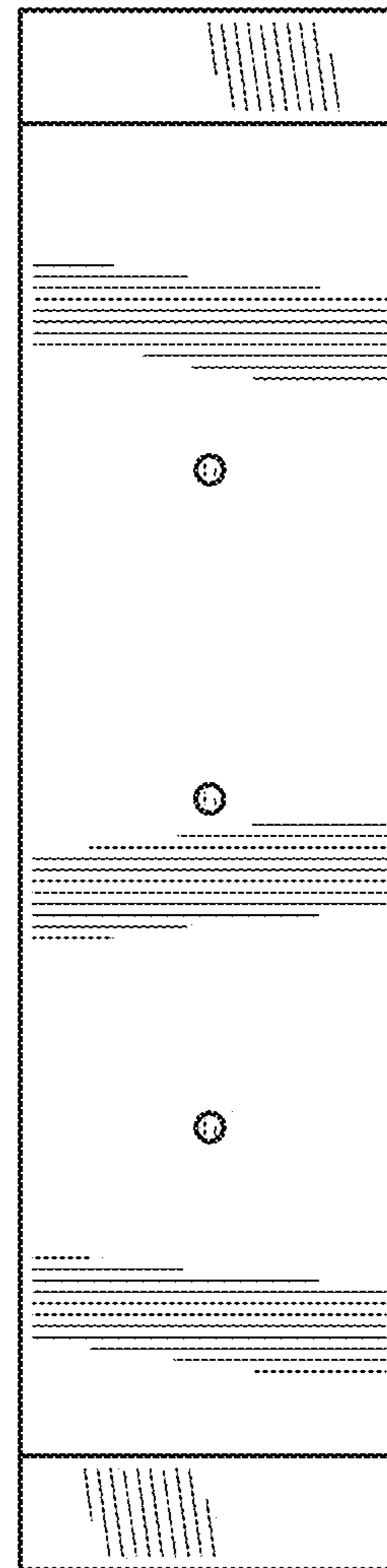


FIG. 6

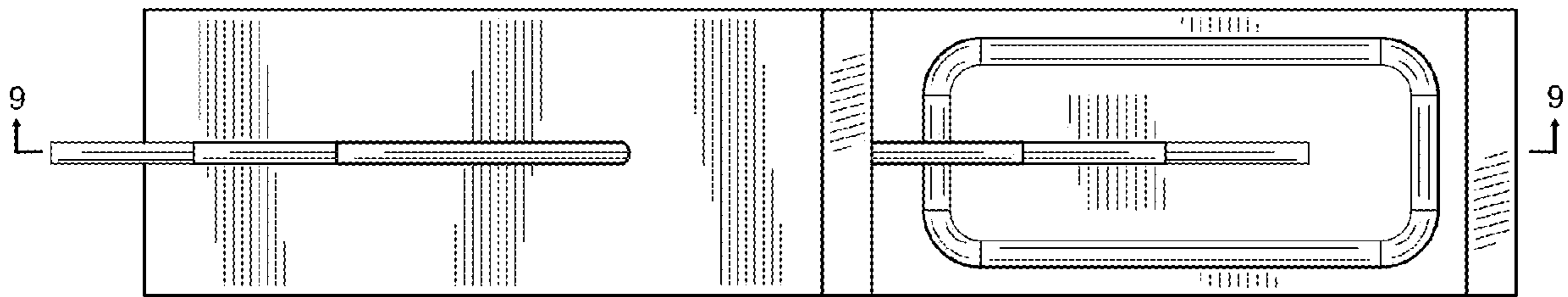


FIG. 7

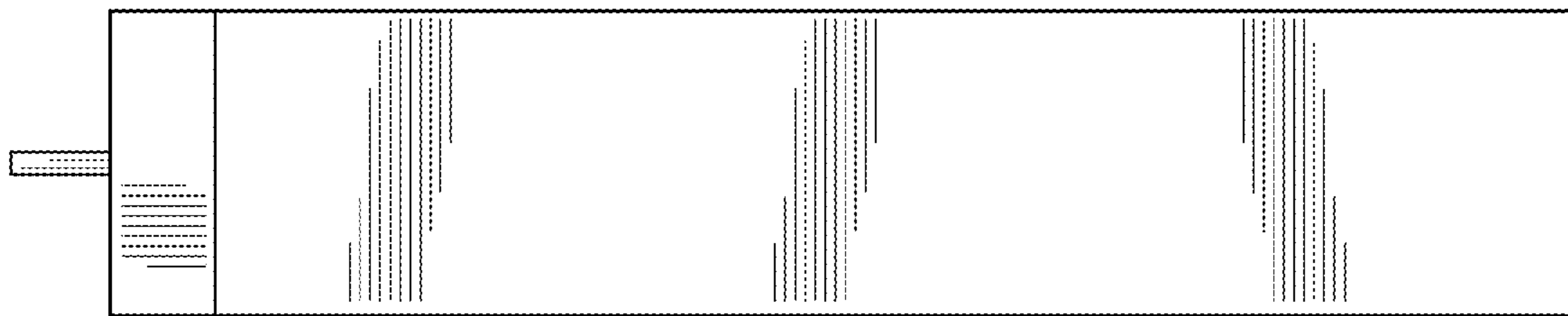


FIG. 8



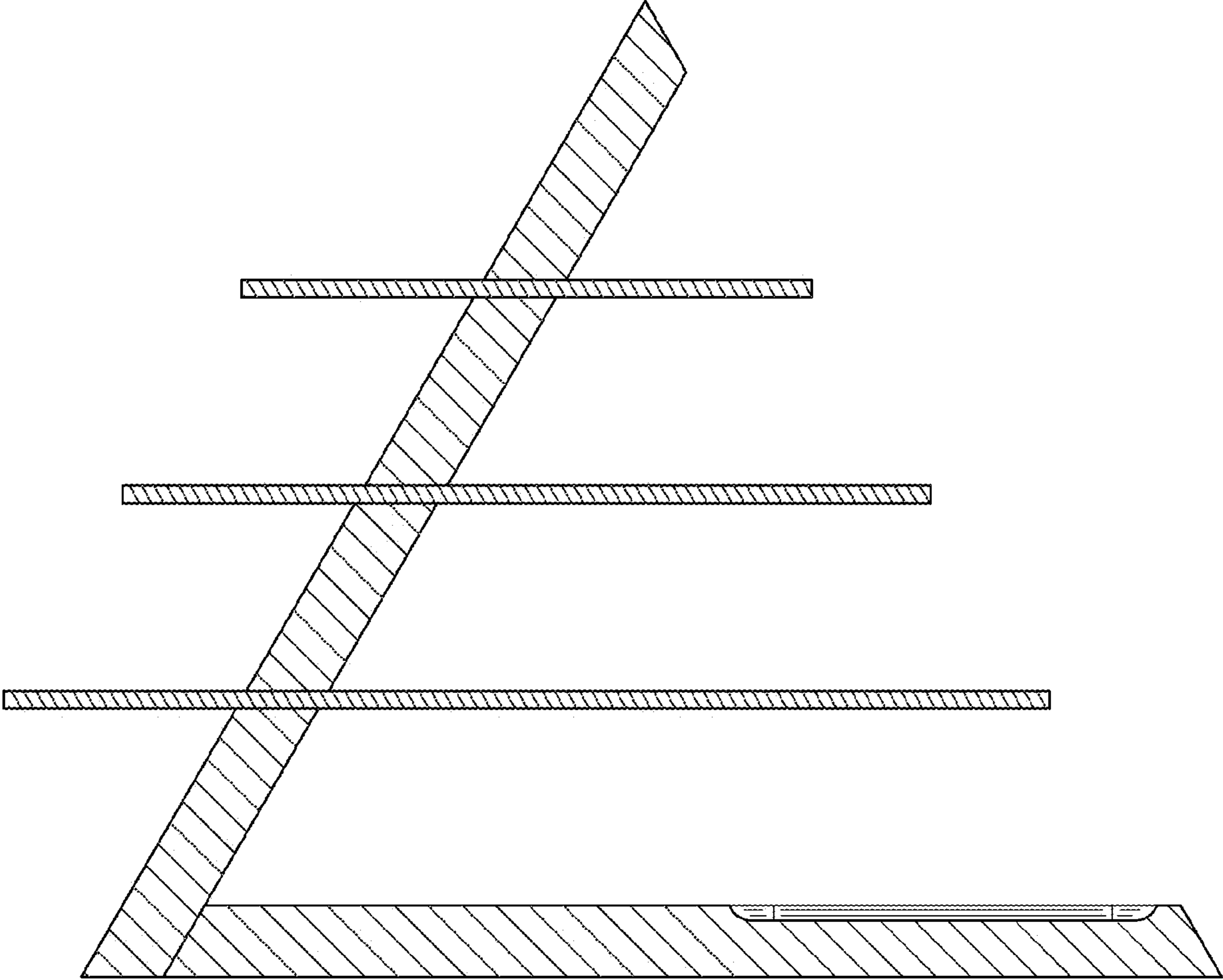


FIG. 9