



US00D988042S

(12) **United States Design Patent**  
**Tighe et al.**

(10) **Patent No.:** **US D988,042 S**  
(45) **Date of Patent:** **\*\* Jun. 6, 2023**

- (54) **STORAGE RACK WITH STORAGE SUPPORT**
- (71) Applicant: **Coulter Ventures, LLC.**, Columbus, OH (US)
- (72) Inventors: **Charlie Tighe**, Columbus, OH (US); **Bryan Adams**, Columbus, OH (US); **Nash Dunahay**, Gahanna, OH (US); **Ahmik Jones**, Upper Arlington, OH (US)
- (73) Assignee: **Coulter Ventures, LLC.**, Columbus, OH (US)
- (\*\*) Term: **15 Years**
- (21) Appl. No.: **29/711,929**
- (22) Filed: **Nov. 4, 2019**
- (51) **LOC (14) Cl.** ..... **21-02**
- (52) **U.S. Cl.**  
USPC ..... **D21/691**; D6/672
- (58) **Field of Classification Search**  
USPC ..... D21/662, 673, 675, 686, 690, 691, 694, D21/696; D6/672, 682, 683, 512, 552; D32/58  
CPC ..... A63B 71/0036; A63B 21/072; A63B 2071/025; A47B 47/021; A47B 55/00; A47B 81/00; A47B 81/007  
See application file for complete search history.

- D617,113 S \* 6/2010 Wenning ..... D6/672
  - D683,160 S \* 5/2013 Williams ..... A63B 21/0626 D6/675.1
  - D767,693 S \* 9/2016 Kuka ..... D21/686
  - 9,599,439 B1 \* 3/2017 Sylvester ..... F41G 11/003
  - 10,226,661 B2 \* 3/2019 Henniger ..... A63B 21/4035
  - D862,136 S 10/2019 Dunahay
  - 10,456,655 B1 \* 10/2019 Orehek ..... B62B 5/06
- (Continued)

**OTHER PUBLICATIONS**

Rogue Monster Bumper Rack top view, Olympic plate storage overview, Rogue Plate Storage, VA Worker, posted: Feb. 17, 2021, fitatmidlife.com, <https://fitatmidlife.com/rogue-plate-storage/> (Year: 2021).\*

(Continued)

*Primary Examiner* — Steven J Cxyz

(74) *Attorney, Agent, or Firm* — Banner & Witcoff, Ltd.

(57) **CLAIM**

The ornamental design for a storage rack with storage support, as shown and described.

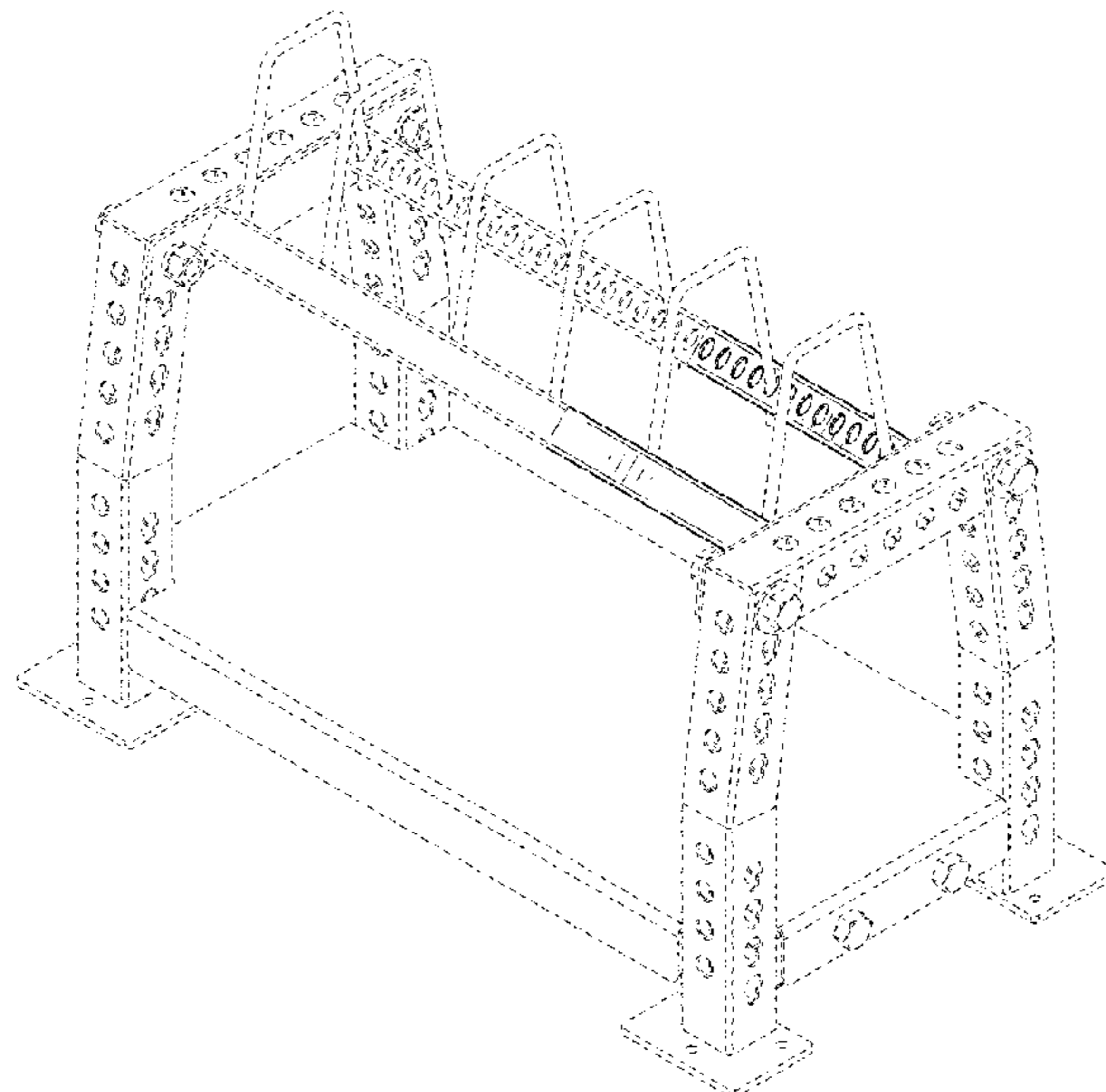
**DESCRIPTION**

FIG. 1 is a top, front, left perspective view of a storage rack with storage support showing our new design; FIG. 2 is a front view thereof; FIG. 3 is a rear view thereof; FIG. 4 is a left side view thereof; FIG. 5 is a right side view thereof; FIG. 6 is a top view thereof; and, FIG. 7 is a bottom view thereof.

The uneven-length broken lines immediately adjacent to the shaded area represent boundaries of the claimed design and form no part thereof. The even-length broken lines depicting the remainder of the storage rack with storage support show portions that form no part of the claimed design.

**1 Claim, 5 Drawing Sheets**

- (56) **References Cited**  
U.S. PATENT DOCUMENTS  
4,955,604 A \* 9/1990 Pogue ..... A63B 21/0783 482/99  
5,791,502 A \* 8/1998 Bietz ..... A47B 57/50 211/192  
6,527,682 B1 \* 3/2003 Gomez ..... A63B 21/072 482/904  
D605,422 S \* 12/2009 Wenning ..... D6/672



(56)

References Cited

U.S. PATENT DOCUMENTS

D872,682 S \* 1/2020 Grams ..... A47B 57/50  
 D12/406  
 D883,406 S \* 5/2020 Sergakis ..... D21/686  
 D888,850 S \* 6/2020 Smith, Jr. .... D21/686  
 D893,223 S \* 8/2020 Adams ..... D6/678.1  
 D898,137 S \* 10/2020 Carmichael ..... A47B 73/00  
 D21/686  
 D907,939 S \* 1/2021 Dunahay ..... D6/552  
 D920,728 S \* 6/2021 Scott ..... B62B 5/06  
 D6/712  
 D931,954 S \* 9/2021 Dunahay ..... D21/686  
 11,173,337 B2 \* 11/2021 Jones ..... A63B 17/00  
 D944,344 S \* 2/2022 Adams ..... D21/686  
 11,260,261 B2 \* 3/2022 Henniger ..... A63B 21/062  
 D955,510 S \* 6/2022 Pritchett ..... D21/686  
 2006/0266726 A1 \* 11/2006 Swanson ..... A47B 73/00  
 211/186  
 2010/0084354 A1 \* 4/2010 Eustace ..... A47F 5/00  
 211/183  
 2012/0000871 A1 \* 1/2012 Troyner ..... A47B 47/021  
 211/134  
 2013/0284686 A1 \* 10/2013 Robbins, III ..... A47F 7/0042  
 211/175  
 2014/0034593 A1 \* 2/2014 Chen ..... A47B 57/50  
 211/208  
 2019/0269992 A1 \* 9/2019 Dunahay ..... A47B 81/00  
 2020/0179744 A1 \* 6/2020 Arroyo ..... A63B 21/0626

OTHER PUBLICATIONS

Horizontal Plate Rack 3.0, plate storage, storage, weightlifting bars & plates, roguefitness.com, [https://www.roguefitness.com/rogue-horizontal-plate-rack-3-0?sku=RA2199&gclid=EA1a1QobChM1hdvDrMaz\\_AIVB-TICh0jKwa2EAQYBiABEgKypvD\\_BwE](https://www.roguefitness.com/rogue-horizontal-plate-rack-3-0?sku=RA2199&gclid=EA1a1QobChM1hdvDrMaz_AIVB-TICh0jKwa2EAQYBiABEgKypvD_BwE) (Year: 2022).\*

Product listing for York Horizontal Plate Racks from <https://web.archive.org/web/20170702224146/http://www.roguefitness.com/york-horizontal-plate-racks>, dated Jul. 2, 2017.

Product listing for York Horizontal Plate Racks from <https://www.roguefitness.com/york-horizontal-plate-racks>, showing additional detail, dated Mar. 26, 2020.

Product listing for Rogue Competition Bumper Plate Cart from <https://web.archive.org/web/20180725133511/https://www.roguefitness.com/rogue-com-petition-bumper-plate-cart>, dated Jul. 25, 2018.

Product listing for Monster Mass Storage from <https://web.archive.org/web/20180830090150/https://www.roguefitness.com/monster-mass-storage>, dated Aug. 30, 2018.

Product listing for Monster Single Post Storage Shelf from <https://web.archive.org/web/20180830090140/https://www.roguefitness.com/monster-single-post-storage-shelf>, dated Aug. 30, 2018.

Product listing for Rogue Horizontal Plate Rack 2.0 from <https://web.archive.org/web/20180724144551/https://www.roguefitness.com/rogue-horizontal-plate-racks>, dated Jul. 24, 2018.

\* cited by examiner

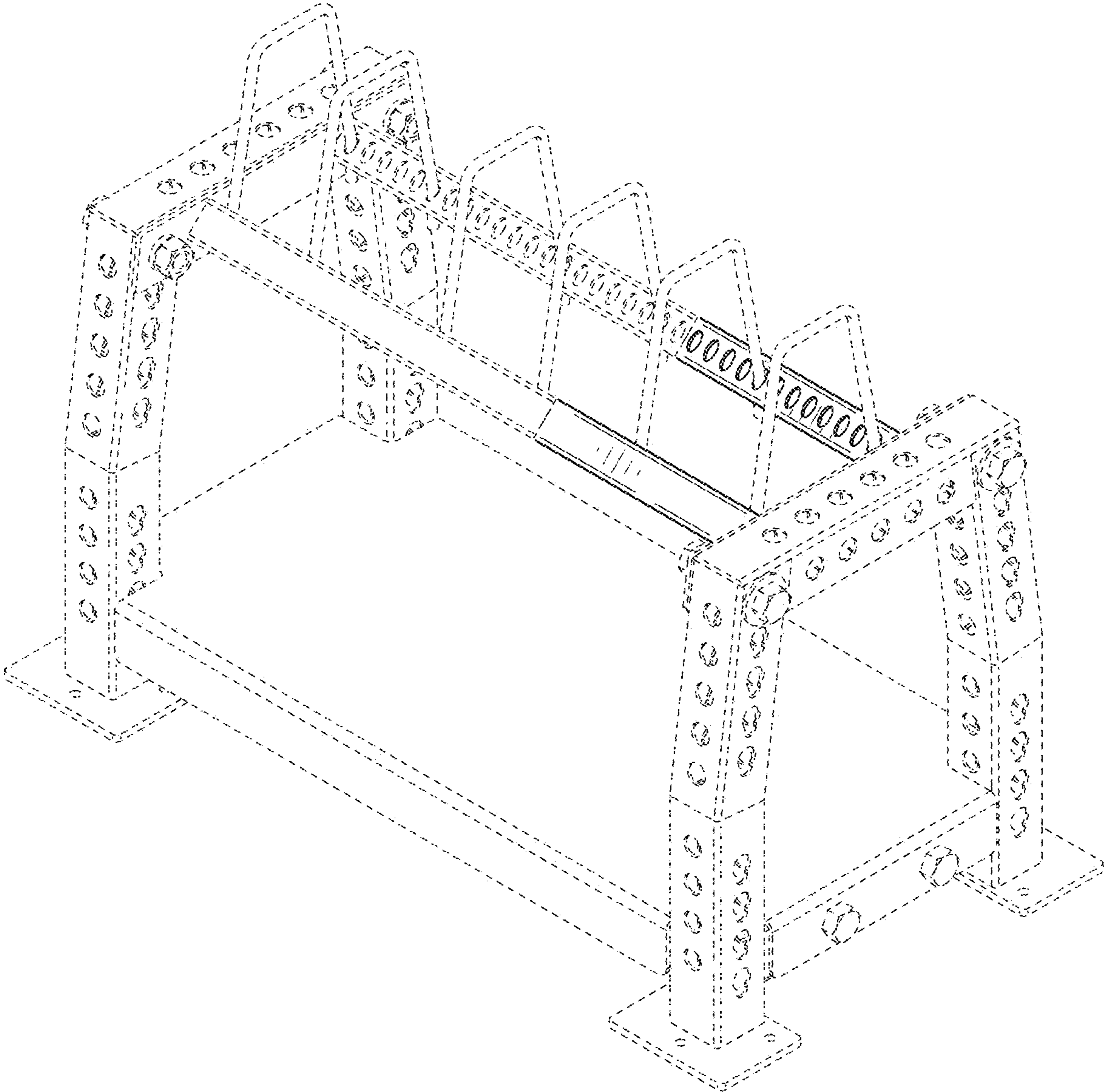


FIG. 1

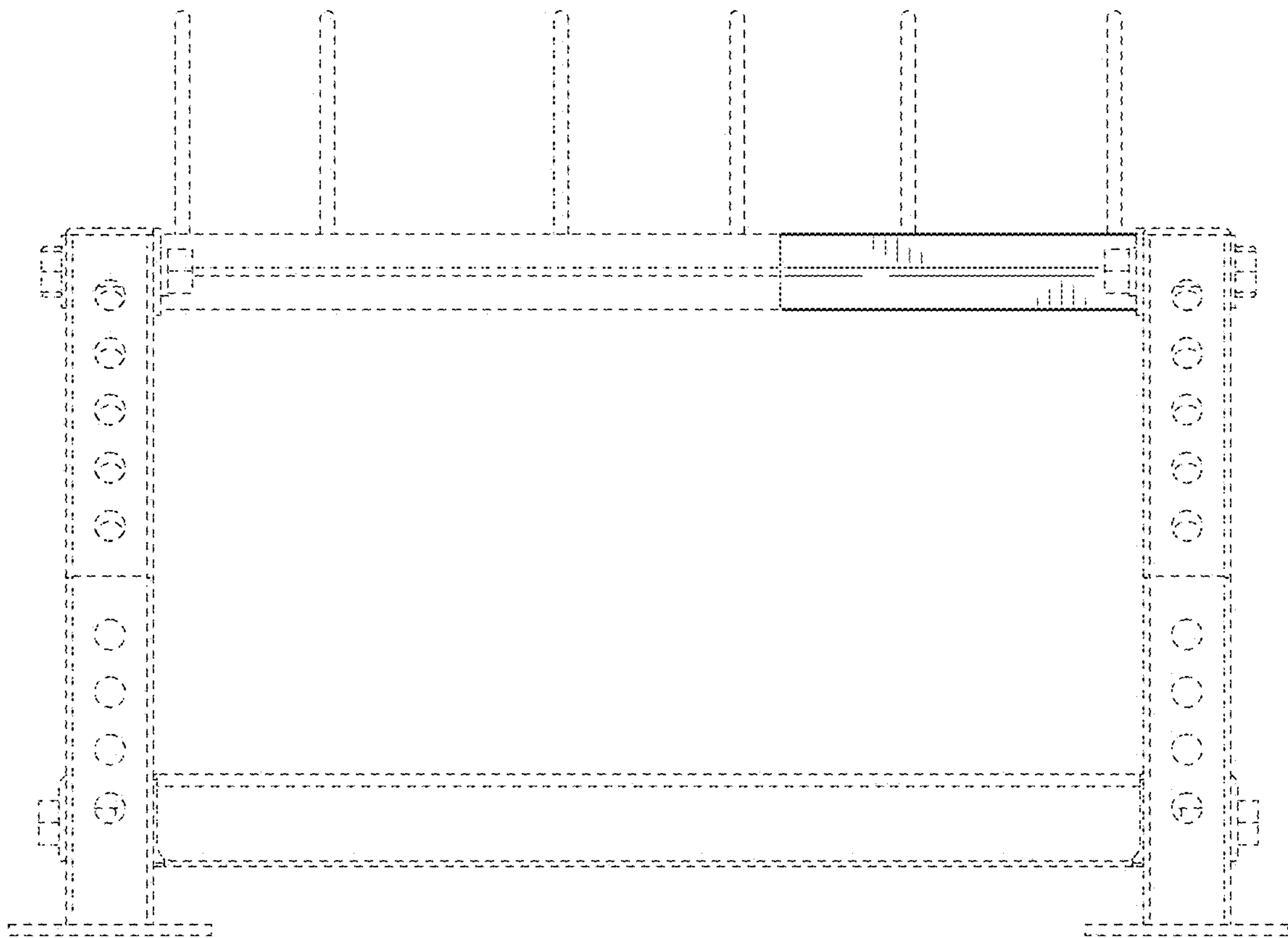


FIG. 2

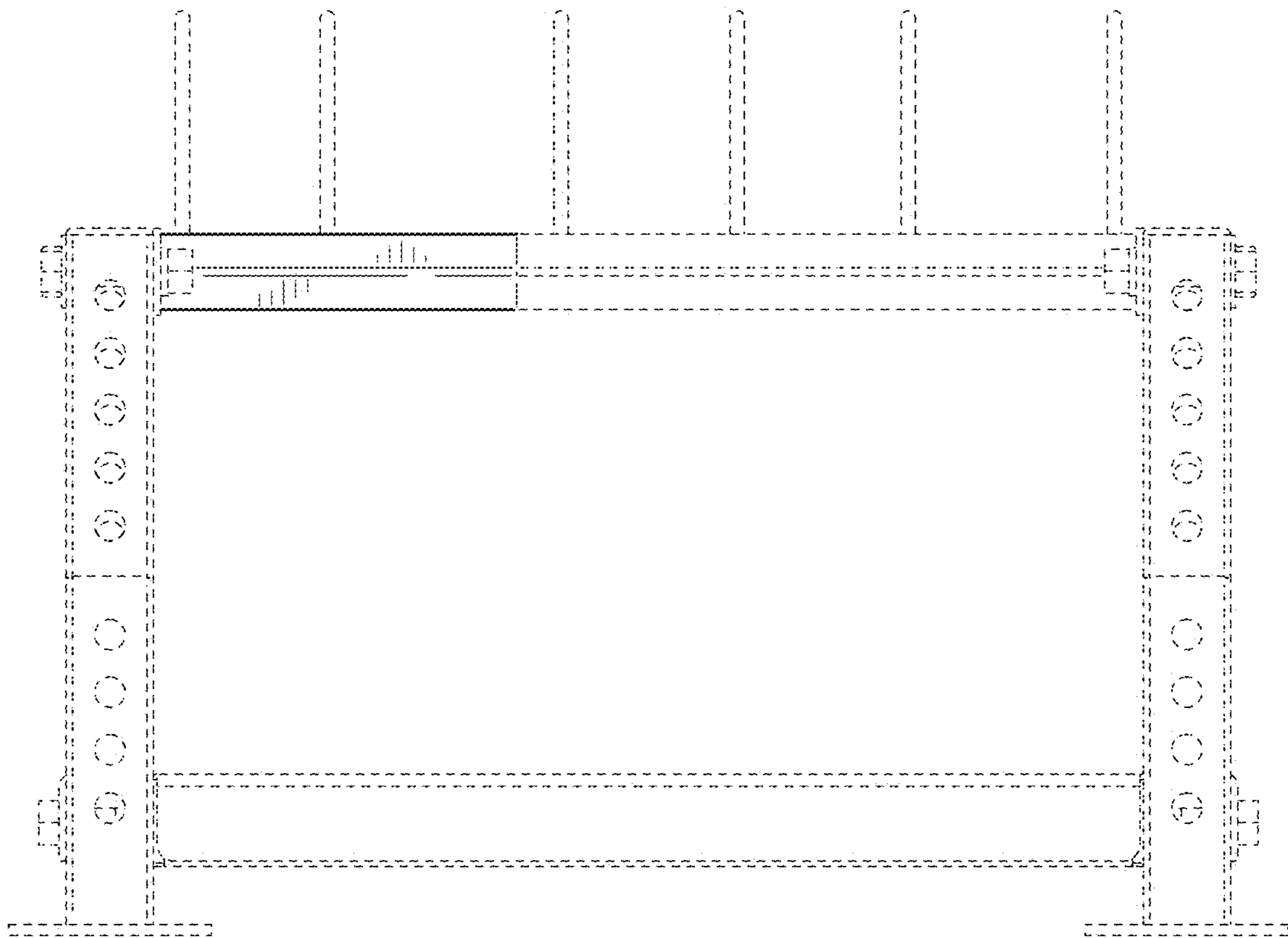


FIG. 3

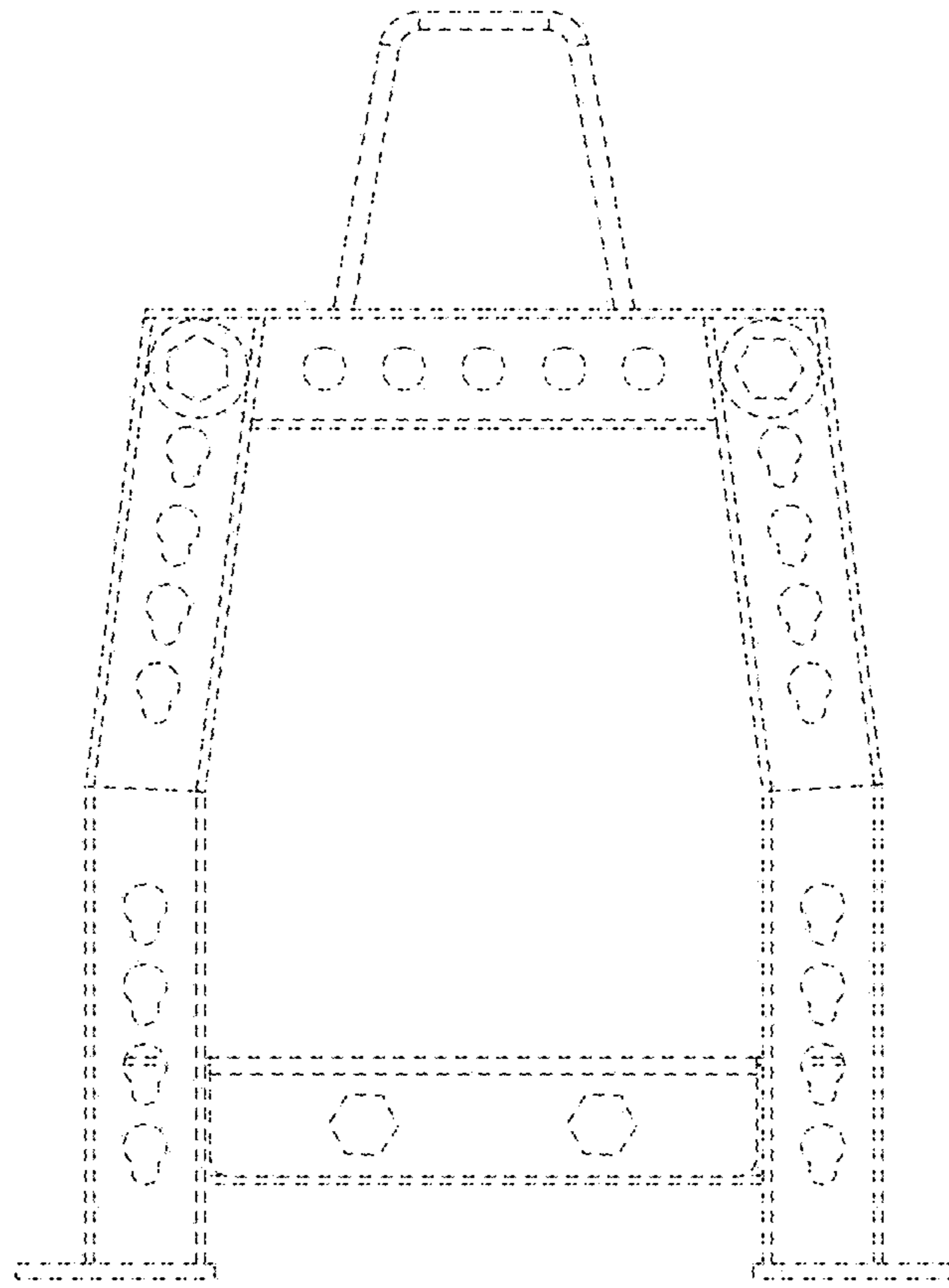


FIG. 4

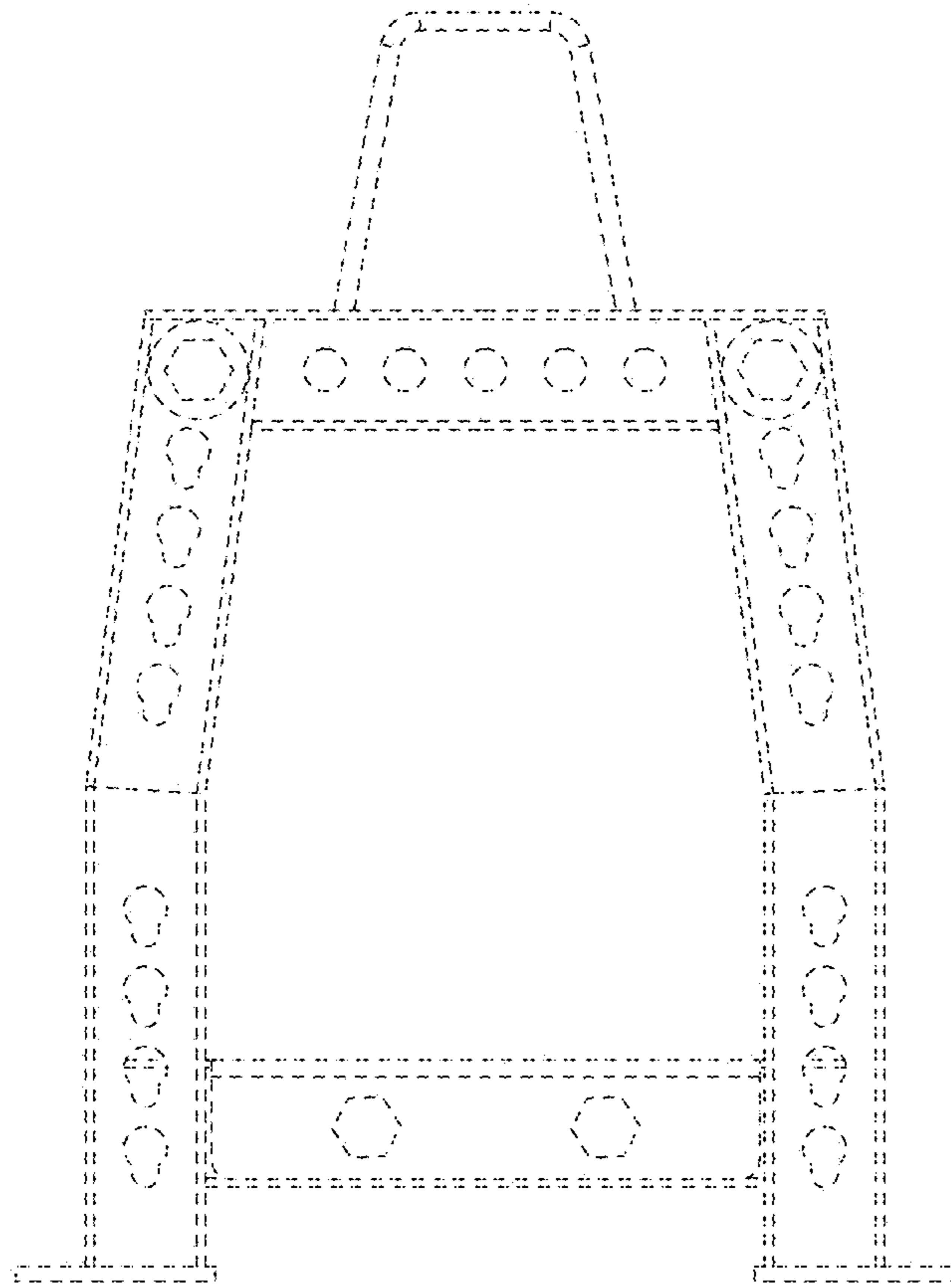


FIG. 5

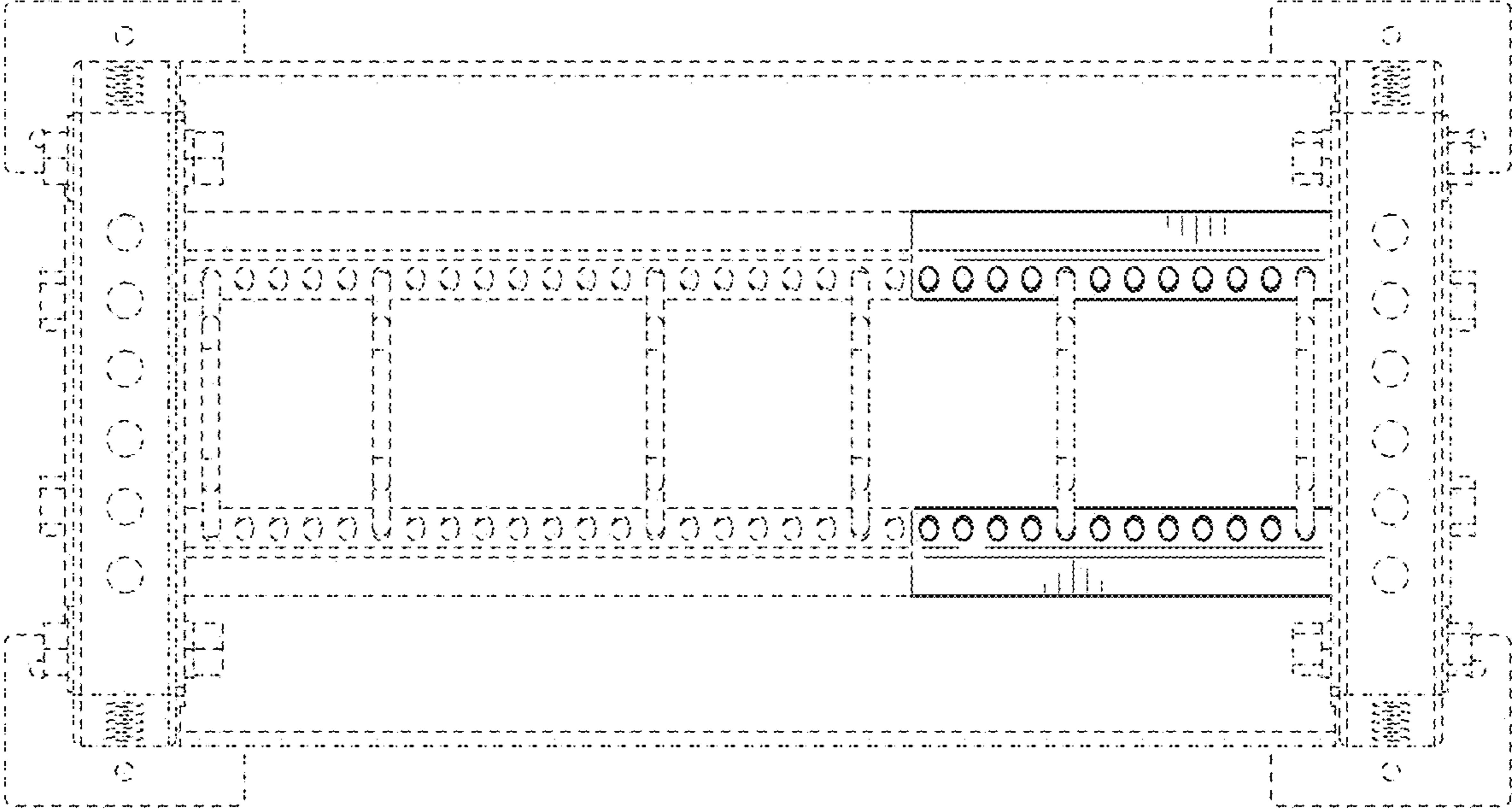


FIG. 6

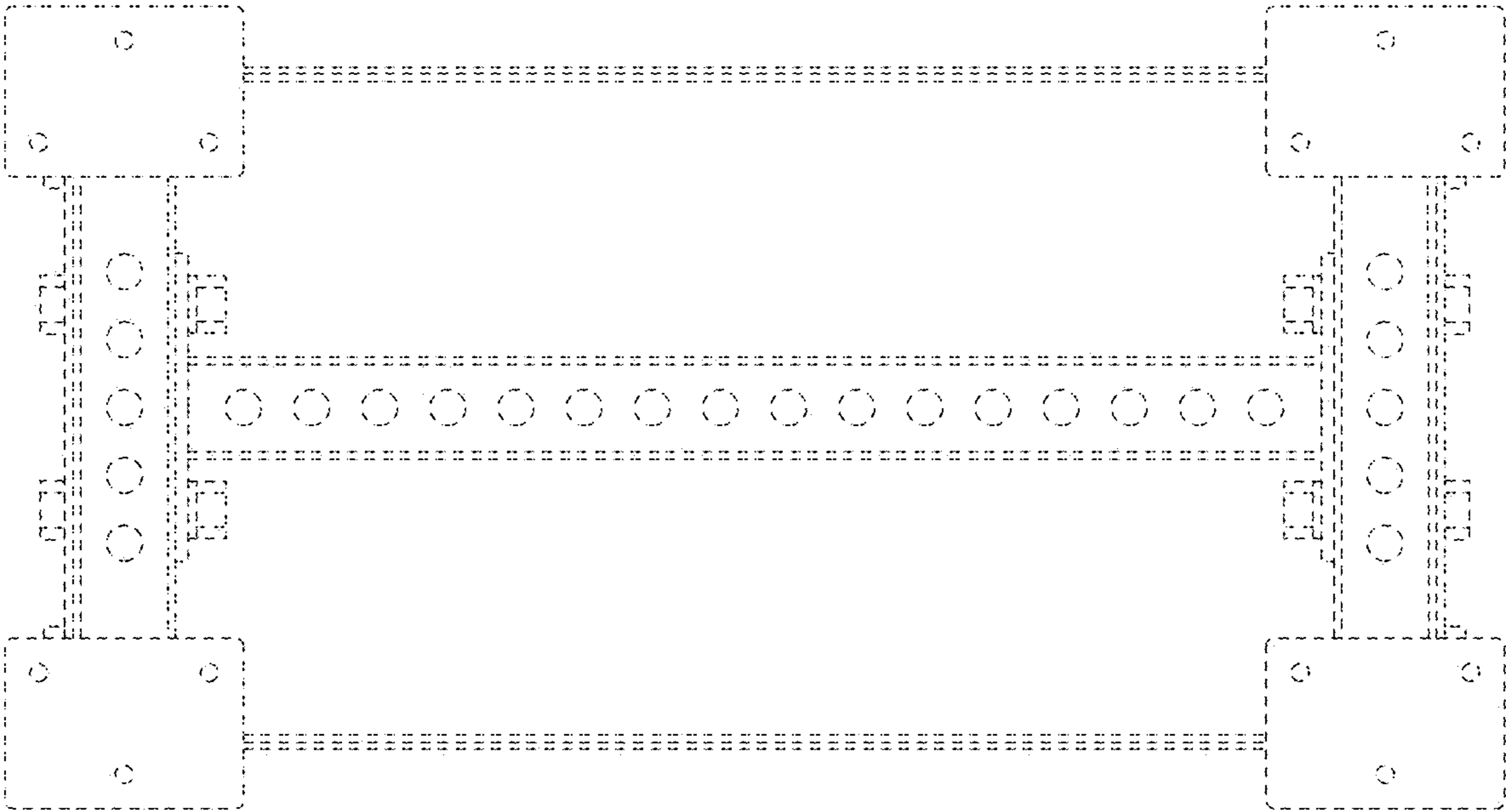


FIG. 7