



US00D988040S

(12) **United States Design Patent** (10) **Patent No.:** **US D988,040 S**  
**Wang** (45) **Date of Patent:** **\*\* Jun. 6, 2023**

(54) **TOOL TROLLEY** 5,509,672 A \* 4/1996 Offerson ..... B44D 3/00  
280/47.35  
(71) Applicant: **LUOYANG SELEAD OFFICE** D523,607 S 6/2006 Huguet  
**FURNITURE CO., LTD.,** Luoyang D548,920 S \* 8/2007 Kinsley ..... D34/27  
(CN) D616,230 S \* 5/2010 Leeds ..... D6/703.4  
D636,615 S 4/2011 Grela  
(72) Inventor: **Tong Wang,** Luoyang (CN) (Continued)

(73) Assignee: **LUOYANG SELEAD OFFICE**  
**FURNITURE CO., LTD.,** Luoyang  
(CN)

(\*\*) Term: **15 Years**

(21) Appl. No.: **29/885,349**

(22) Filed: **Feb. 23, 2023**

(30) **Foreign Application Priority Data**

Dec. 2, 2022 (CN) ..... 202230807768.5

(51) **LOC (14) Cl.** ..... **06-04**

(52) **U.S. Cl.**  
USPC ..... **D6/671**

(58) **Field of Classification Search**  
USPC ..... D6/671, 671.1, 661, 559, 657, 561, 663,  
D6/703, 662.1, 664, 675.1, 705.5, 703.2,  
D6/667, 705, 671.2, 702, 675, 684;  
D34/14, 19, 20, 21  
CPC ..... A47B 81/001; A47B 67/02; A47B 67/04;  
A47B 63/00; A47B 46/00; A47B 51/00;  
A47B 47/00; A47B 55/00; A47B 95/02;  
A47B 2210/0056; A47B 77/00; A47B  
88/944; A47B 88/969; A47B 79/00; A47B  
88/70; A47B 2230/0077; A47B 85/05;  
B62B 3/00; B62B 3/02; B62B 3/002;  
B25H 1/14; B25H 1/20

See application file for complete search history.

(56) **References Cited**

**U.S. PATENT DOCUMENTS**

D250,584 S \* 12/1978 Oye ..... D24/185  
D313,947 S \* 1/1991 Shaffer ..... D10/75

**OTHER PUBLICATIONS**

Heavy Duty Cart Steel Rolling by Bderkz, first available: Unknoww.  
Amazon.com [online], [site visited Mar. 16, 2023], Internet URL:  
[https://www.amazon.com/Rolling-Backplane-Locking-System-Outdoor/dp/B09DX82GBM/ref=sr\\_1\\_146](https://www.amazon.com/Rolling-Backplane-Locking-System-Outdoor/dp/B09DX82GBM/ref=sr_1_146) (Year: 2023).\*

*Primary Examiner* — Mary Ann Calabrese  
*Assistant Examiner* — Hillary Catherine Shepard  
(74) *Attorney, Agent, or Firm* — Chun-Ming Shih;  
Lanway IPR Services

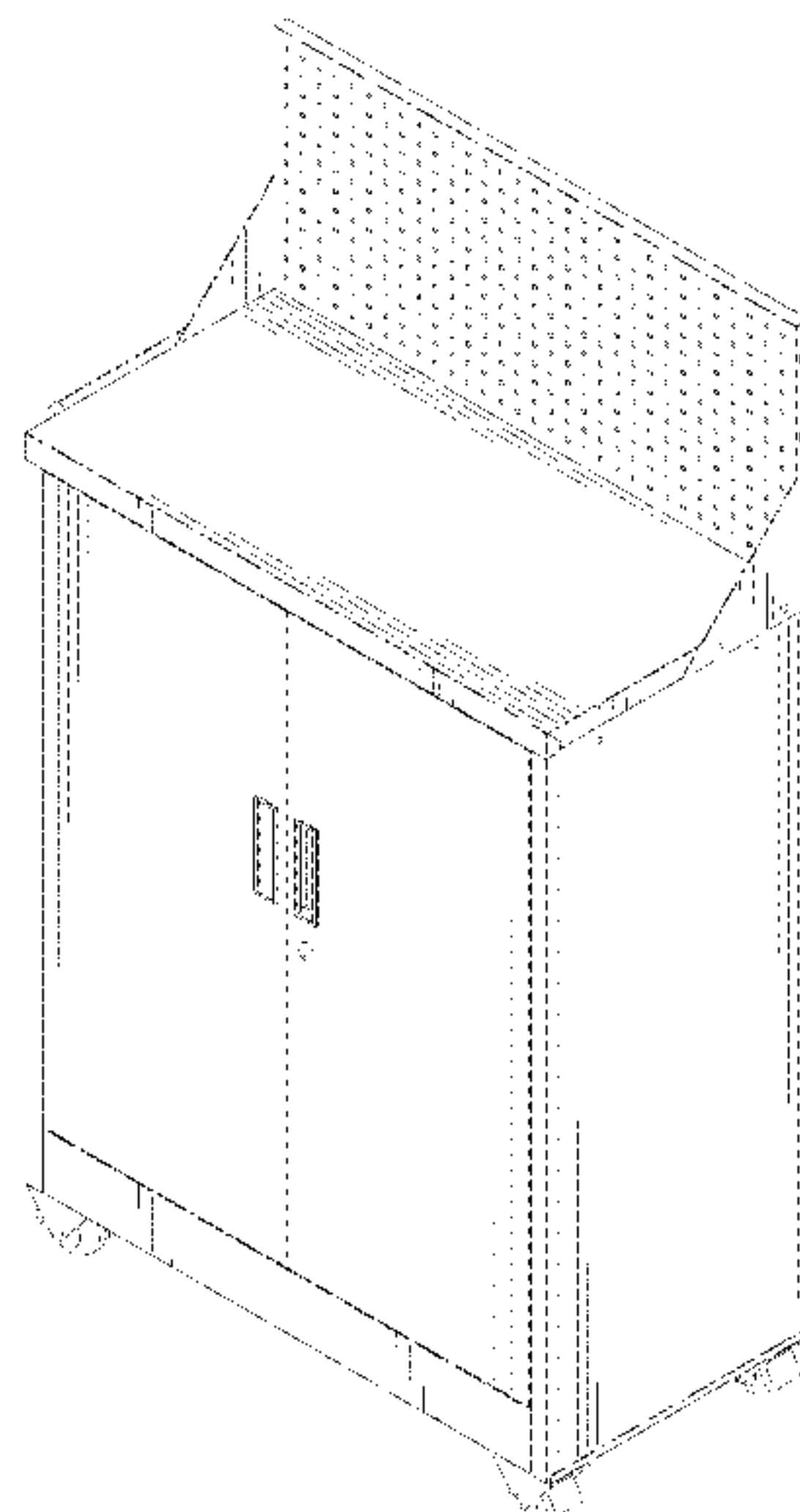
(57) **CLAIM**

The ornamental design for a tool trolley, shown and described.

**DESCRIPTION**

FIG. 1 is a front top right perspective view of a tool trolley showing the new design;  
FIG. 2 is a bottom, rear, left perspective view thereof;  
FIG. 3 is a front view thereof;  
FIG. 4 is a rear view thereof;  
FIG. 5 is a left side view thereof;  
FIG. 6 is a right side view thereof;  
FIG. 7 is a top view thereof;  
FIG. 8 is a bottom view thereof; and,  
FIG. 9 is an enlarged detailed view taken from the encircled area 9 in FIG. 2.  
The broken lines shown in the figures are for the purpose of illustrating portions of the tool trolley and form no part of the claimed design.

**1 Claim, 9 Drawing Sheets**



(56)

**References Cited**

U.S. PATENT DOCUMENTS

D671,703 S \* 11/2012 Guasta ..... D34/19  
D672,575 S 12/2012 Christopher  
D823,611 S 7/2018 Ilian  
D868,508 S \* 12/2019 Sprang ..... D6/671  
D906,028 S \* 12/2020 Chiao ..... D6/684  
D972,345 S \* 12/2022 Gao ..... D6/671.1  
2007/0013280 A1 \* 1/2007 Retchloff ..... B25H 3/04  
312/319.8  
2019/0344816 A1 \* 11/2019 Soytürk ..... B62B 3/002

\* cited by examiner

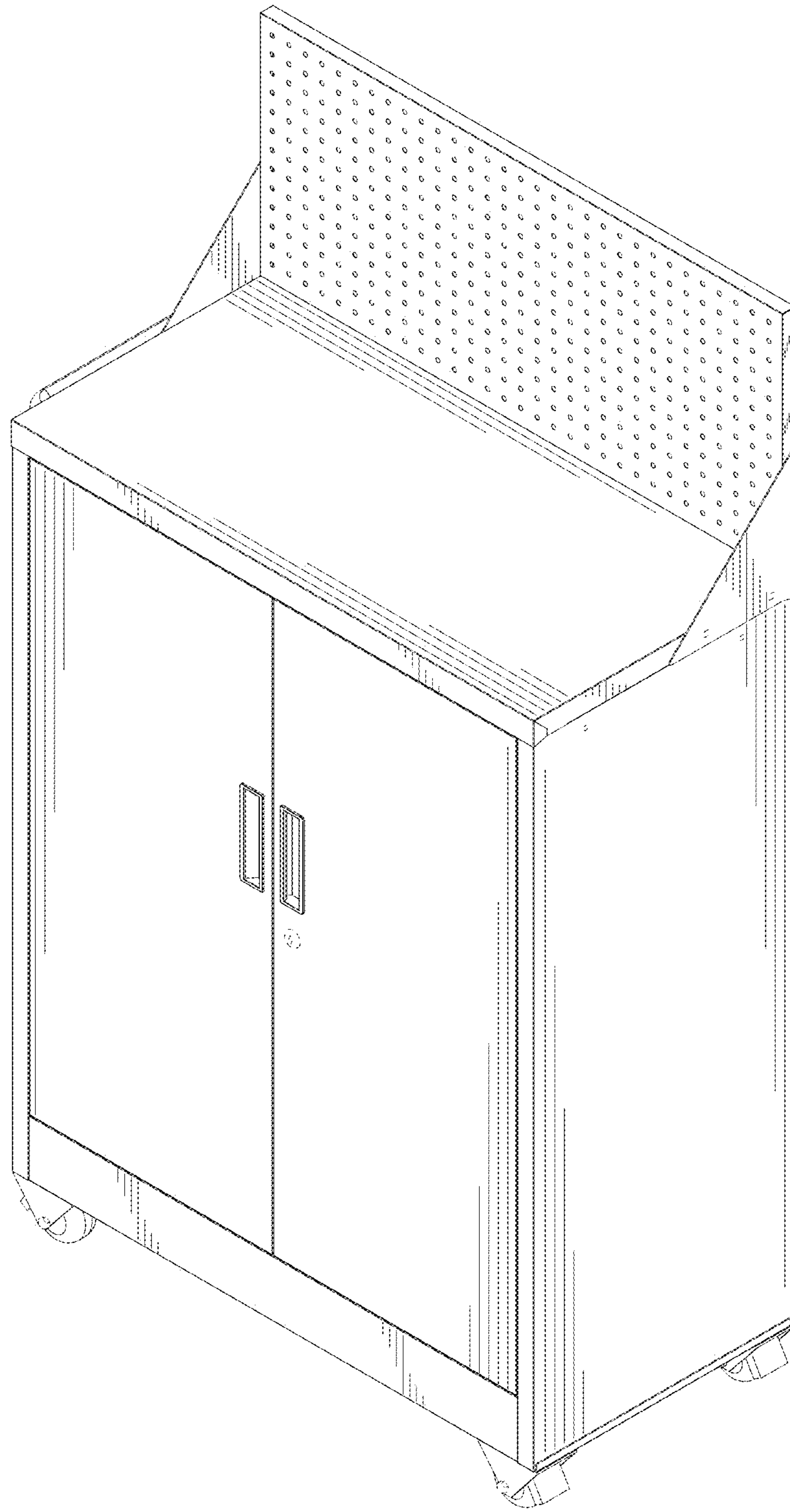


FIG. 1

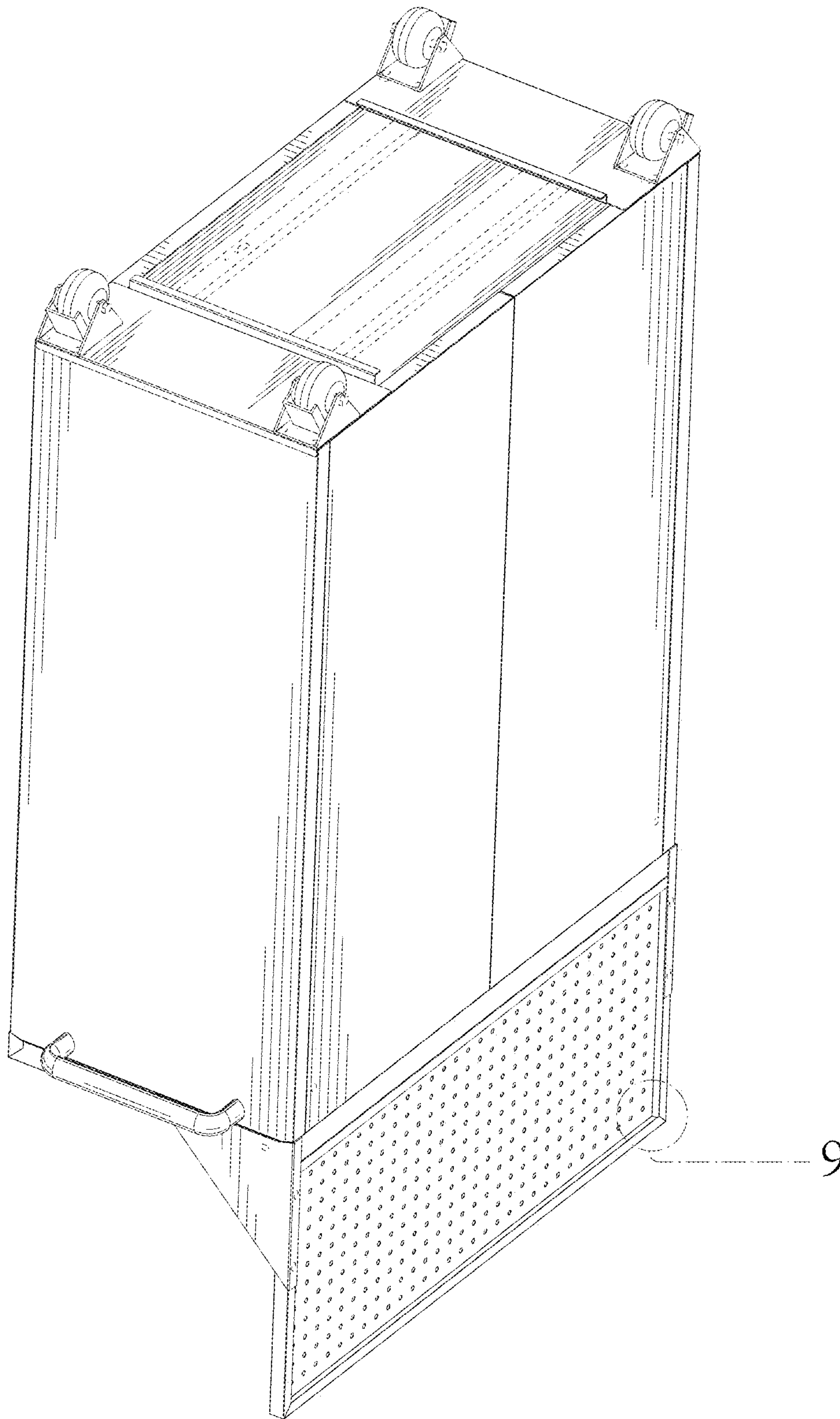


FIG. 2



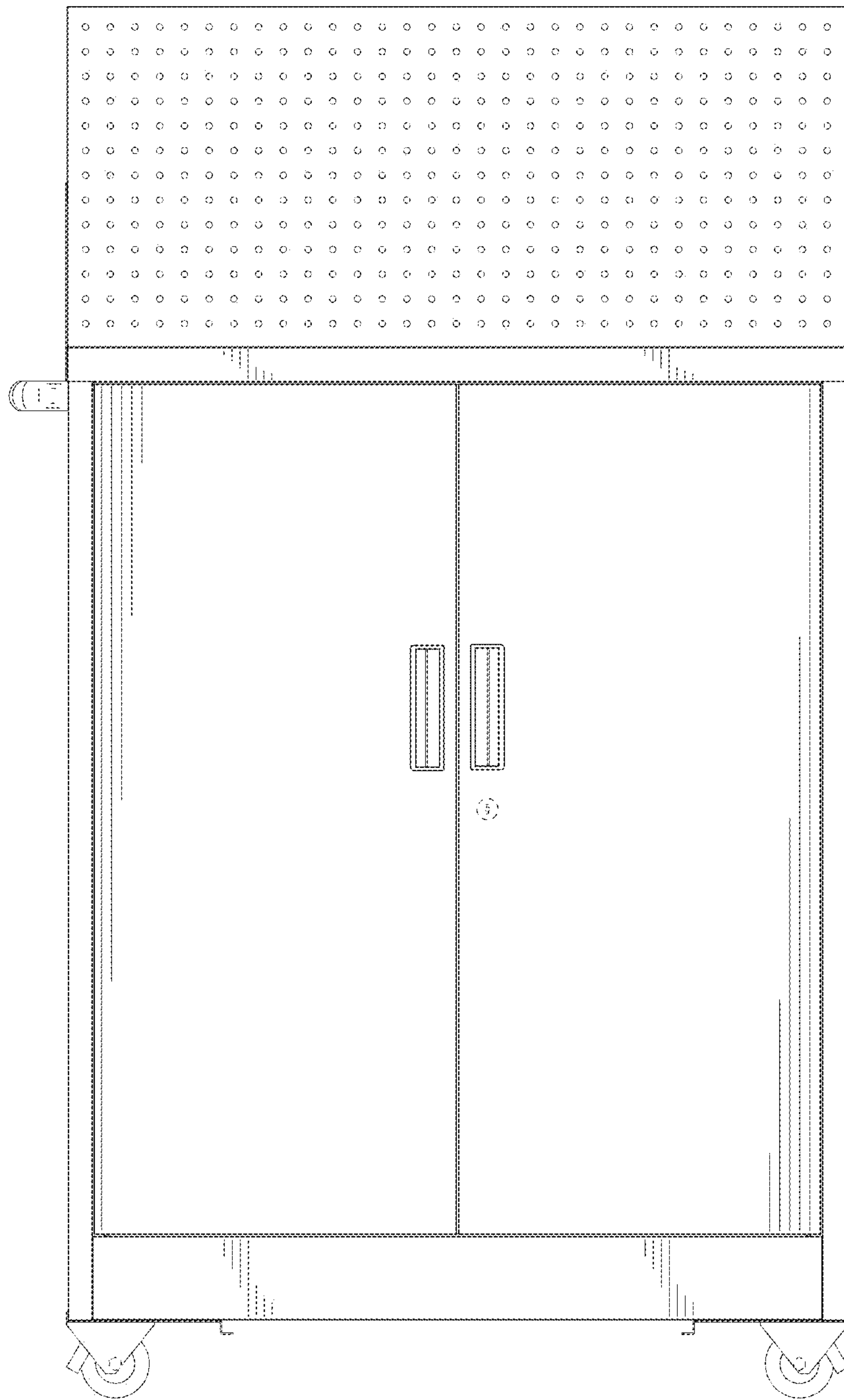


FIG. 3

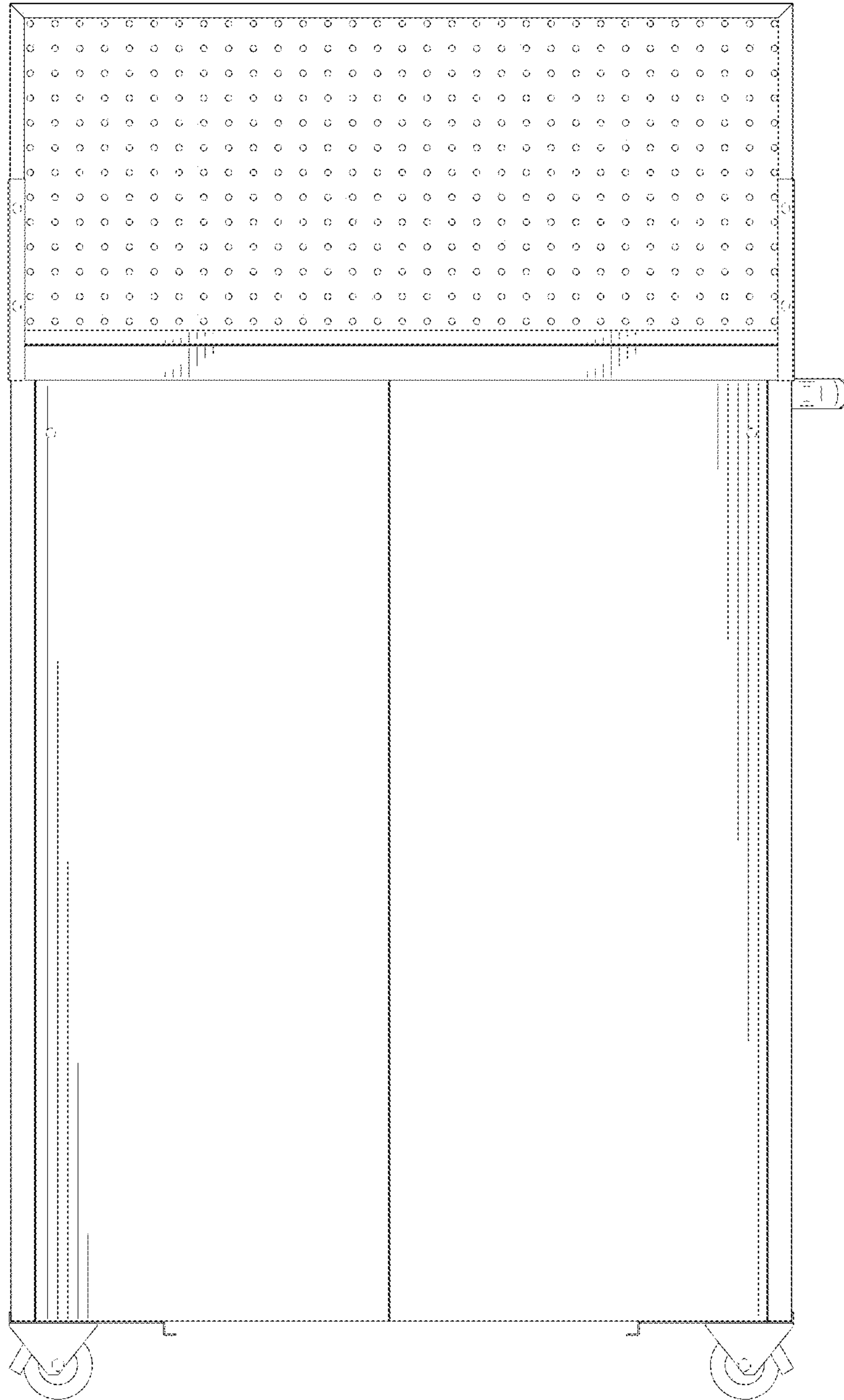


FIG. 4

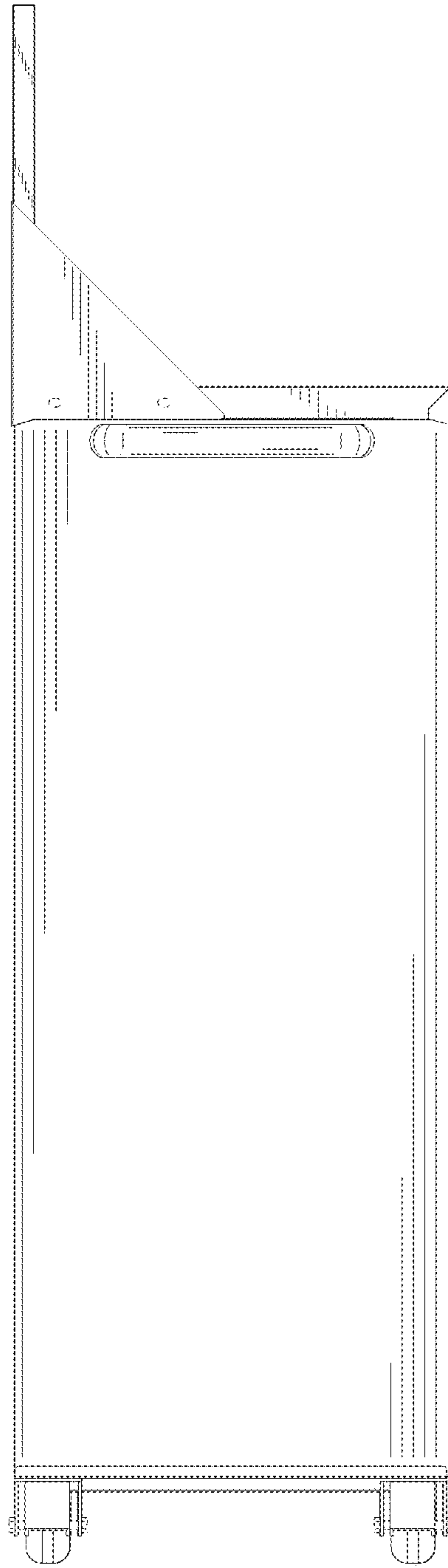


FIG. 5

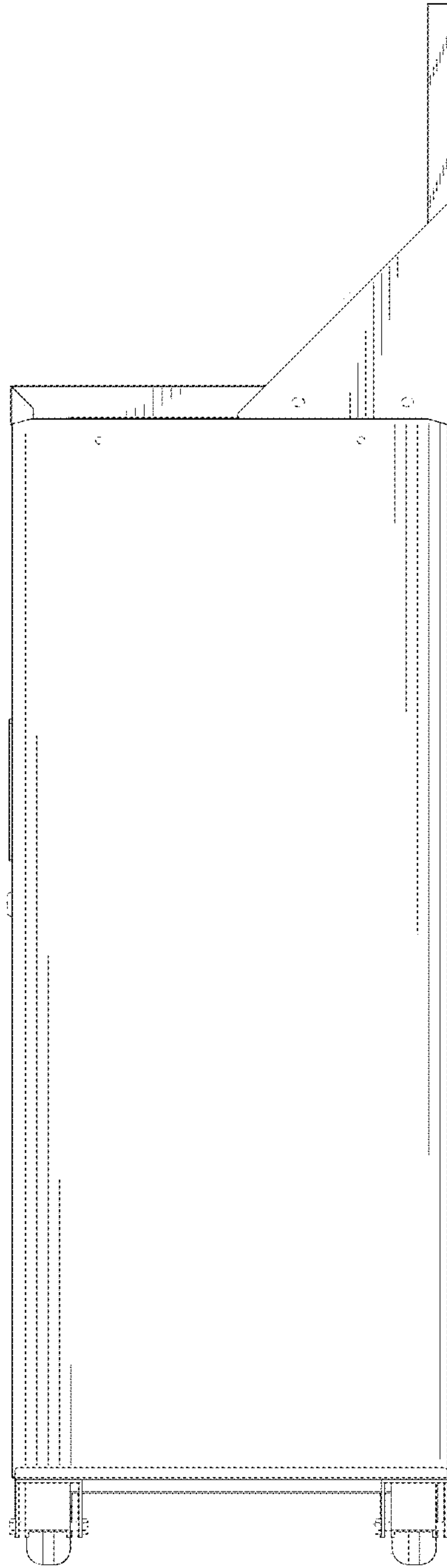


FIG. 6



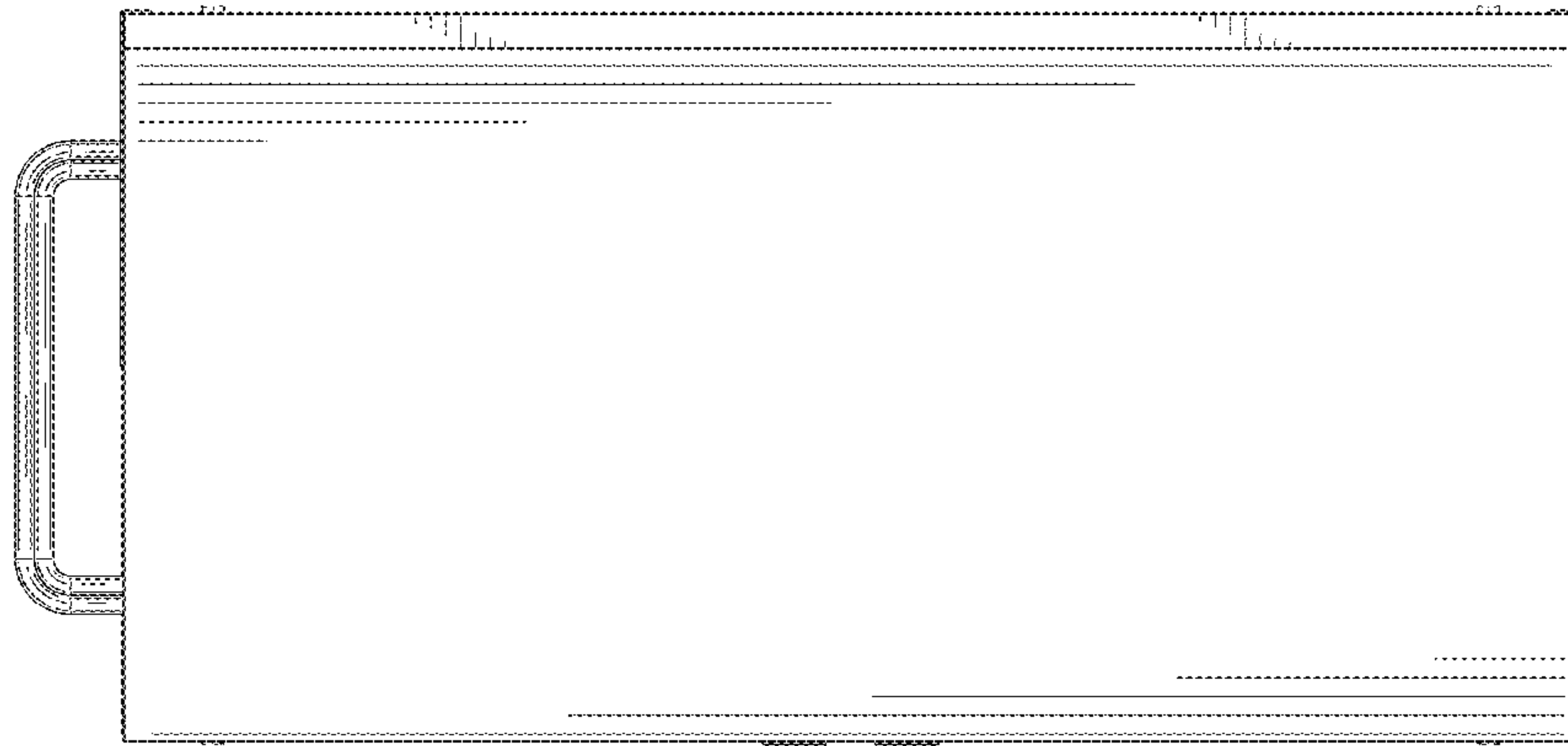


FIG. 7

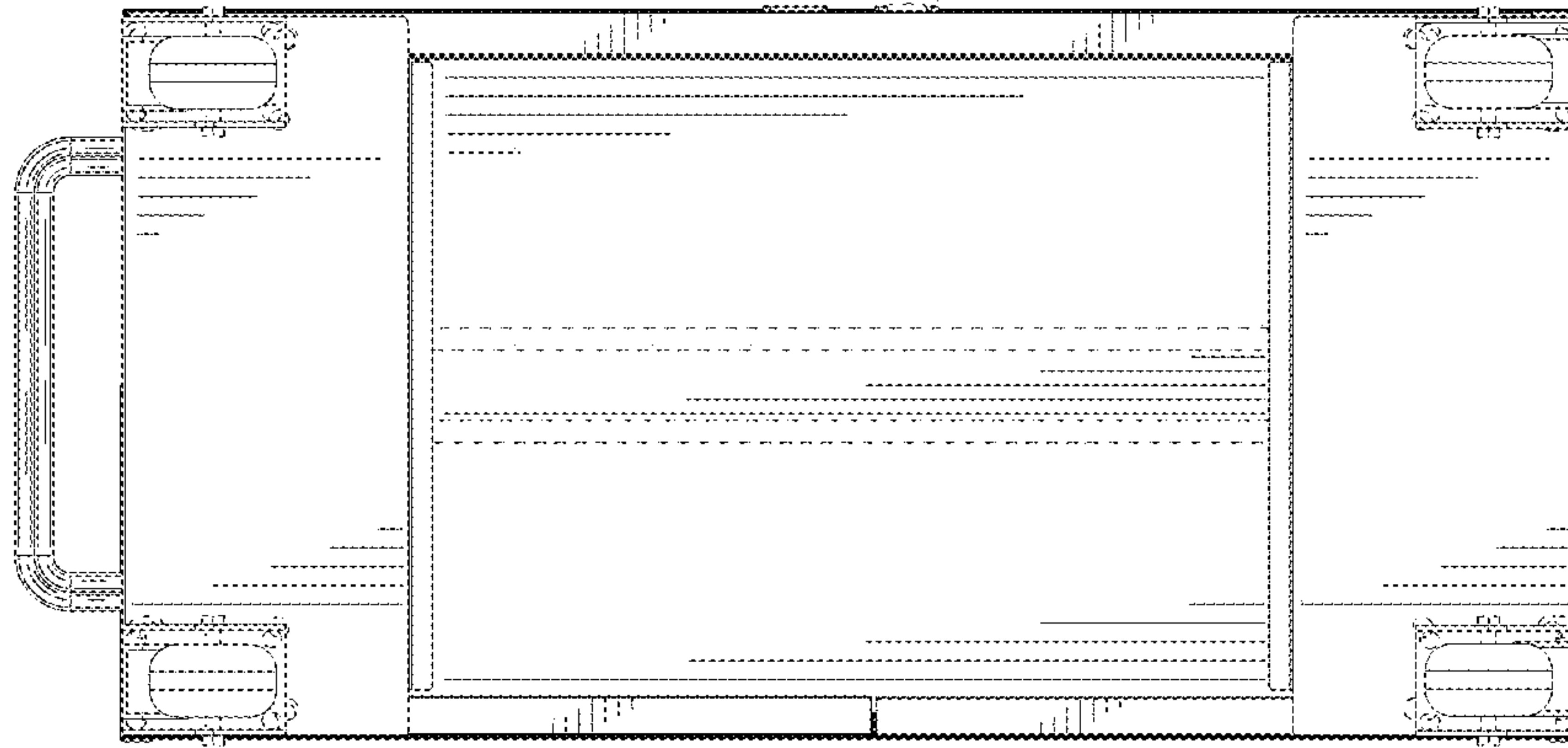


FIG. 8

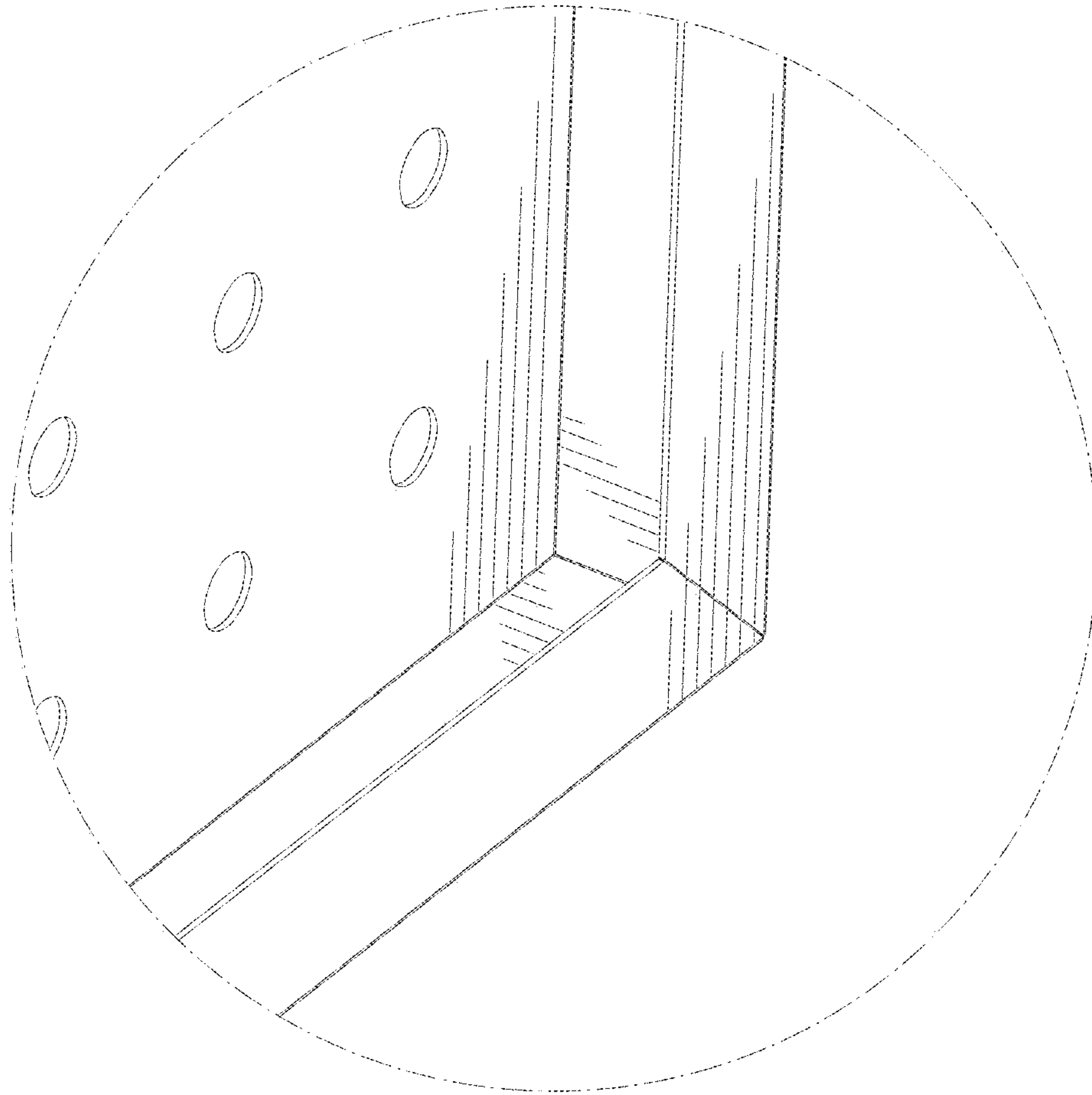


FIG. 9