



US00D988039S

(12) **United States Design Patent** (10) **Patent No.:** **US D988,039 S**  
**Xiao** (45) **Date of Patent:** **\*\* Jun. 6, 2023**

(54) **STORAGE BOX**

(71) Applicant: **TAIZHOU SUKK TECHNOLOGY CO., LTD.**, Taizhou (CN)

(72) Inventor: **Shuangshuang Xiao**, Taizhou (CN)

(\*\*) Term: **15 Years**

(21) Appl. No.: **29/860,032**

(22) Filed: **Nov. 16, 2022**

(51) **LOC (14) Cl.** ..... **06-04**

(52) **U.S. Cl.**  
USPC ..... **D6/667**

(58) **Field of Classification Search**  
USPC ..... D6/672, 675, 675.1, 675.2, 683, 512,  
D6/513, 514, 524, 525, 527, 567, 570,  
D6/573, 574, 663, 664, 667, 668, 668.1,  
D6/668.2, 671, 671.1; D7/600.1, 600.4;  
D3/304, 272, 273, 277, 294; D19/65, 75,  
D19/86  
CPC ..... A47B 88/00; A47B 88/41; A47B 88/407;  
A47B 17/04; A47B 47/03; A47B 47/04;  
A47B 47/042; A47B 47/05; A47B 67/00;  
A47F 5/0081; A47F 5/0093; B65D  
85/305

See application file for complete search history.

(56) **References Cited**

**U.S. PATENT DOCUMENTS**

D424,117 S	5/2000	Steinbeck	
D444,626 S	7/2001	Anderson	
D483,190 S	* 12/2003	Richardson	D6/336
D506,090 S	6/2005	Ben-Or	
D576,788 S	9/2008	Ludden-Biegel	
D580,653 S	11/2008	Robaina	
D662,726 S	* 7/2012	Kopp	D6/677.3
D671,318 S	11/2012	Schmidt et al.	
D711,103 S	8/2014	Wu et al.	
D730,541 S	* 5/2015	Phillips	D25/33
D764,796 S	* 8/2016	Urrea	D34/38
D810,475 S	* 2/2018	Ben Avi	D6/667

(Continued)

**OTHER PUBLICATIONS**

Devoko Deck Box, posted at amazon.com, posting date Nov. 30, 2021, retrieved Jan. 11, 2023, online, URL: [https://www.amazon.com/Devoko-Lightweight-Waterproof-Container-Accessories/dp/B09MS1BH66/ref=psdc\\_671804011\\_t3\\_B0B352Z5G7](https://www.amazon.com/Devoko-Lightweight-Waterproof-Container-Accessories/dp/B09MS1BH66/ref=psdc_671804011_t3_B0B352Z5G7) (Year: 2021).\*

(Continued)

*Primary Examiner* — Barbara Fox

*Assistant Examiner* — Michelle Marquart Christeon

(57) **CLAIM**

The ornamental design for a storage box, as shown and described.

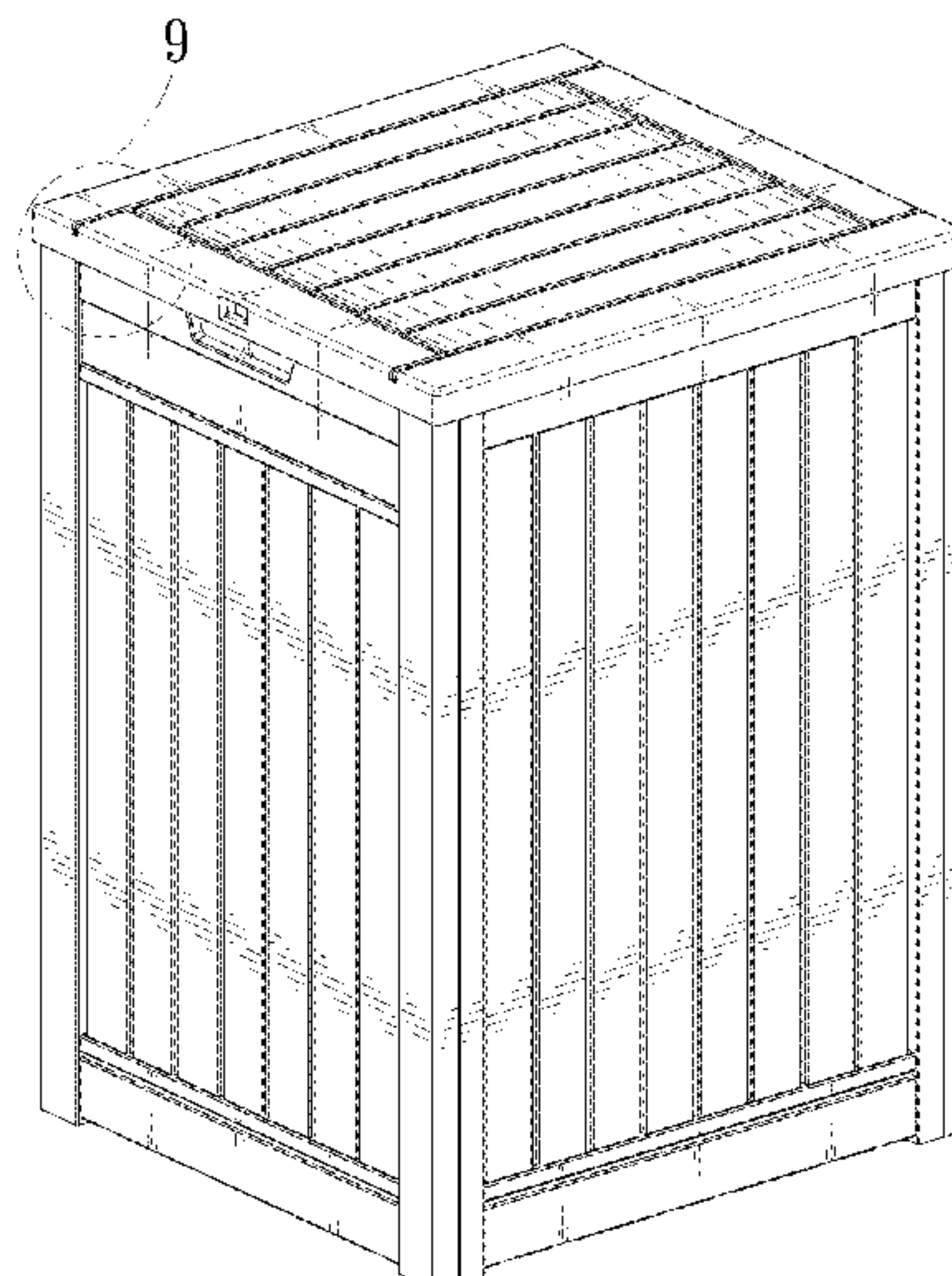
**DESCRIPTION**

FIG. 1 is a front, right, and top perspective view of a storage box, showing my new design;  
FIG. 2 is a front, right, and bottom perspective view of the storage box in FIG. 1;  
FIG. 3 is a front elevation view thereof;  
FIG. 4 is a rear view thereof;  
FIG. 5 is a left side elevation view thereof;  
FIG. 6 is a right side elevation view thereof;  
FIG. 7 is a top plan view thereof;  
FIG. 8 is a bottom plan view thereof;  
FIG. 9 is an enlarged view of an encircled area labeled “9” in FIG. 1;  
FIG. 10 is an enlarged view of an encircled area labeled “10” in FIG. 2; and,  
FIG. 11 is an enlarged view of an encircled area labeled “11” in FIG. 2.

The broken lines shown in the drawings are included for the purpose of illustrating portions of the storage box that form no part of the claimed design.

Dot-dash broken lines in FIGS. 1, 2, and 9-11 framing portions of the claimed design that are illustrated for enlargements form no part of the claimed design.

**1 Claim, 11 Drawing Sheets**



(56)

**References Cited**

U.S. PATENT DOCUMENTS

D914,403	S	*	3/2021	Xiao	.....	D6/667
D914,404	S		3/2021	Xiao		
D935,250	S	*	11/2021	Kopp	.....	D6/703.2
D936,323	S	*	11/2021	Blitzer	.....	D34/7
D945,799	S	*	3/2022	Anderson	.....	D6/667
D947,582	S	*	4/2022	Kopp	.....	D6/667
D954,476	S	*	6/2022	Kopp	.....	D6/667
D964,074	S	*	9/2022	Xiao	.....	D6/667
D965,939	S	*	10/2022	Xiao	.....	D34/1
D968,132	S		11/2022	Sun		
D968,133	S		11/2022	Sun		
2021/0016922	A1	*	1/2021	Leng	.....	B65D 43/165
2021/0114778	A1	*	4/2021	Wu	.....	B65D 11/28

OTHER PUBLICATIONS

Suncast Trash Can, posted at [highchaircatchy.com](https://www.highchaircatchy.com), posting date Dec. 22, 2021, retrieved Jan. 11, 2023, online, URL: <https://www.amazon.com/Suncast-Commercial-GH3900-Gallon-Hideaway/dp/B08N9H983W?th=1> (Year: 2021).\*

Keter Trash Can, posted at [highchaircatchy.com](https://www.highchaircatchy.com), posting date Nov. 16, 2022, retrieved Jan. 11, 2023, online, URL: [https://www.amazon.com/Keter-Baltimore-Cleaning-Furniture-Accessories/dp/B0BMK46MTS?ref\\_ast\\_sto\\_dp&th=1](https://www.amazon.com/Keter-Baltimore-Cleaning-Furniture-Accessories/dp/B0BMK46MTS?ref_ast_sto_dp&th=1) (Year: 2022).\*

\* cited by examiner

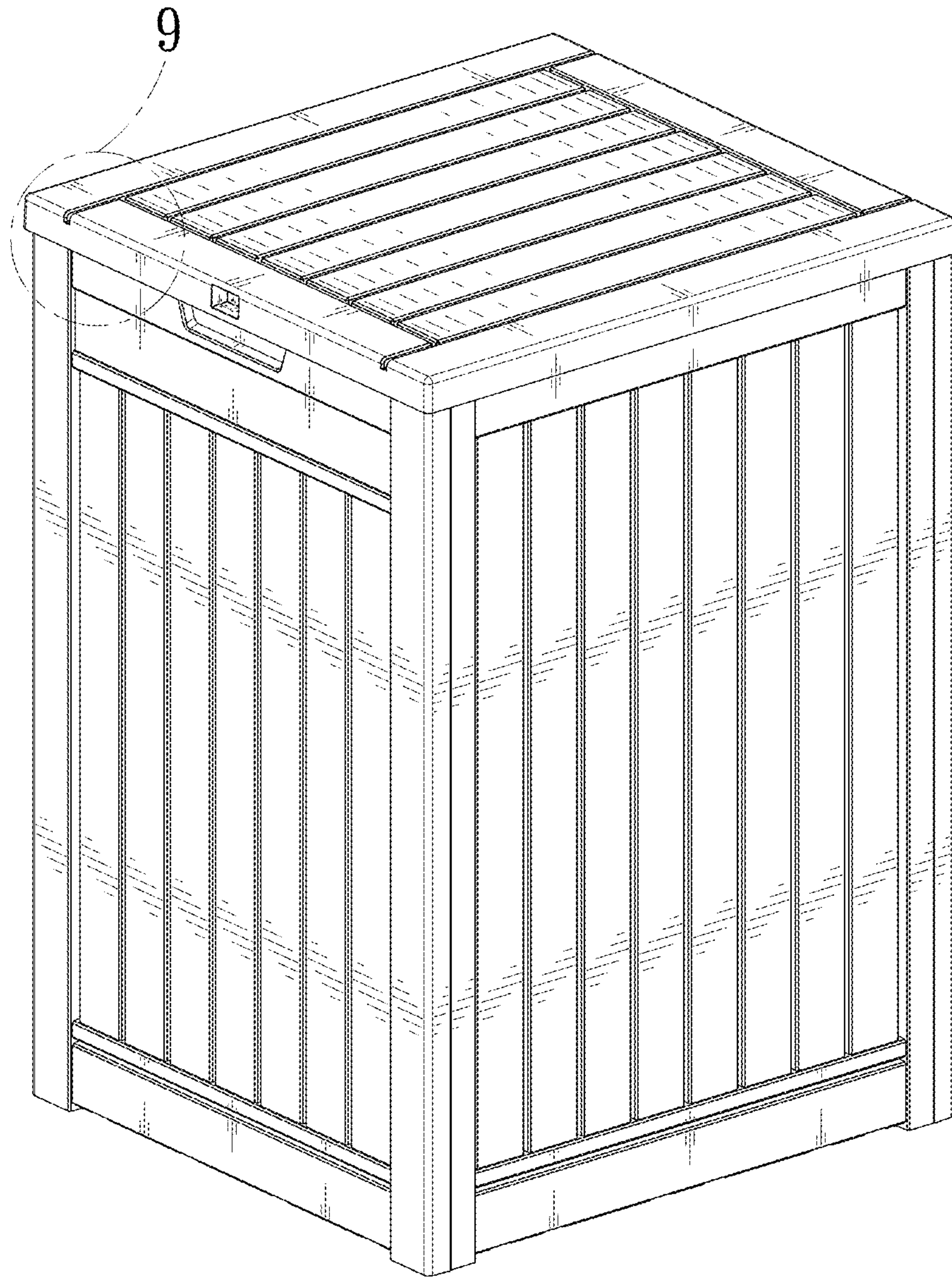


FIG. 1



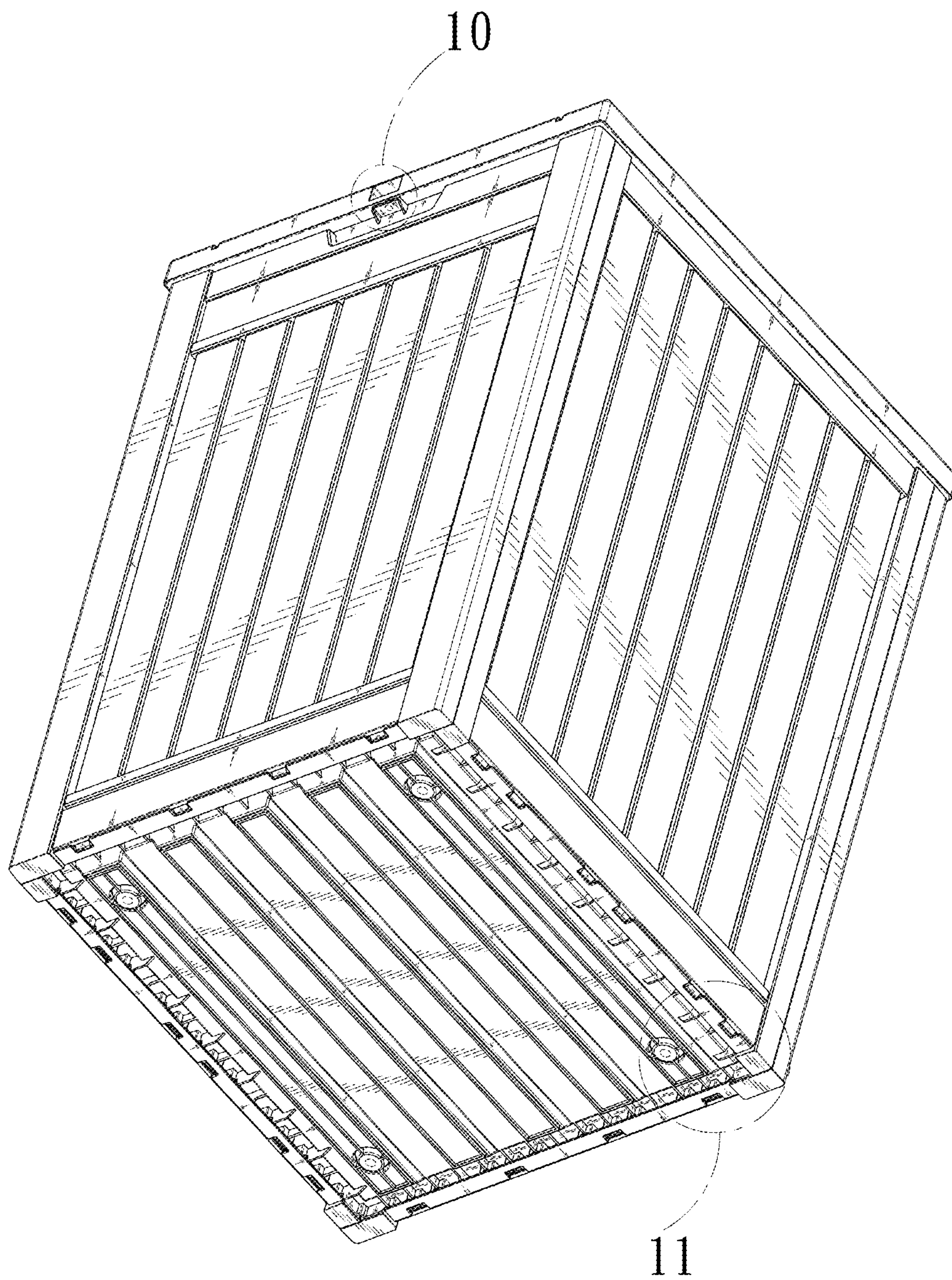


FIG. 2

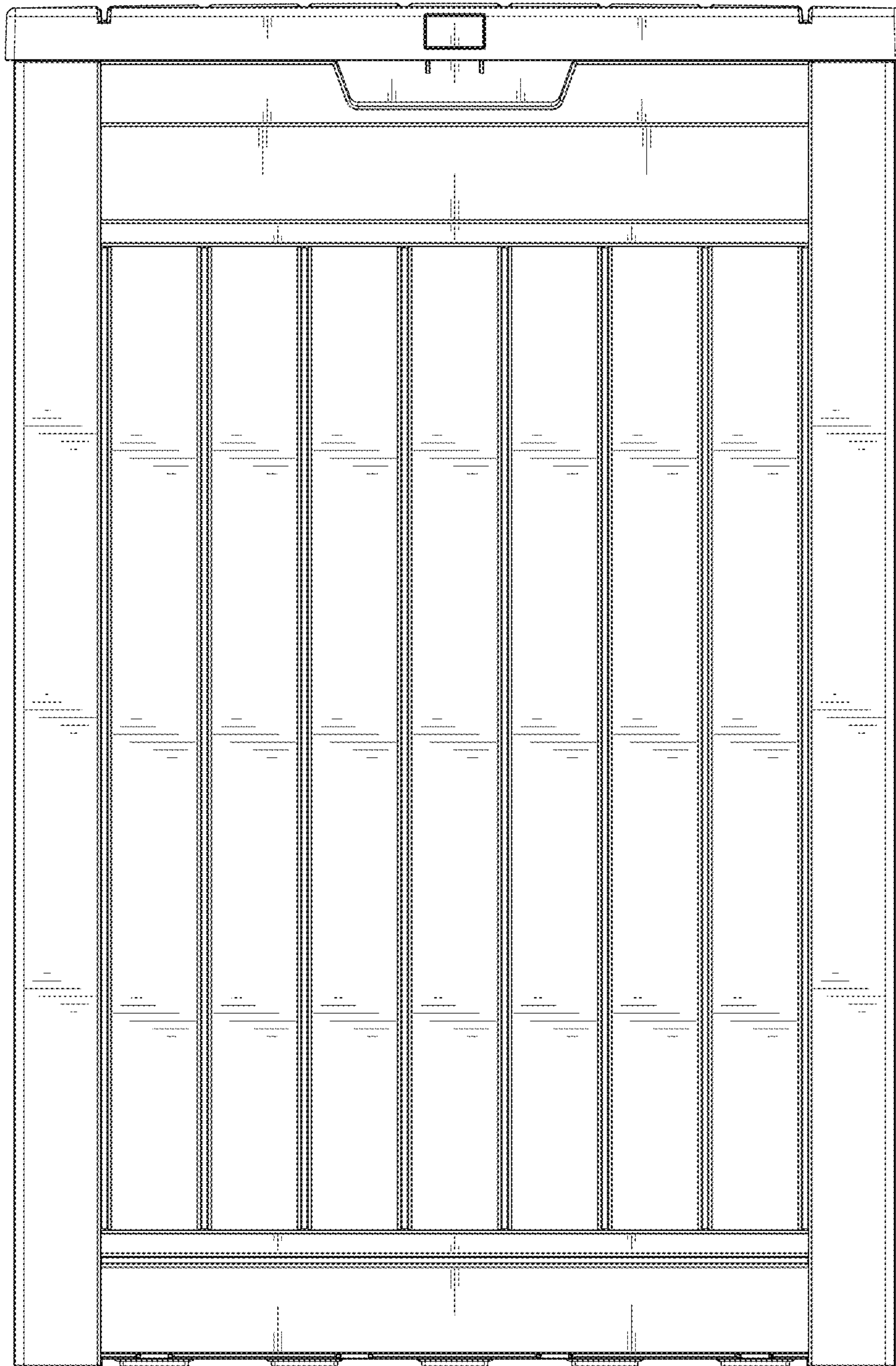


FIG. 3



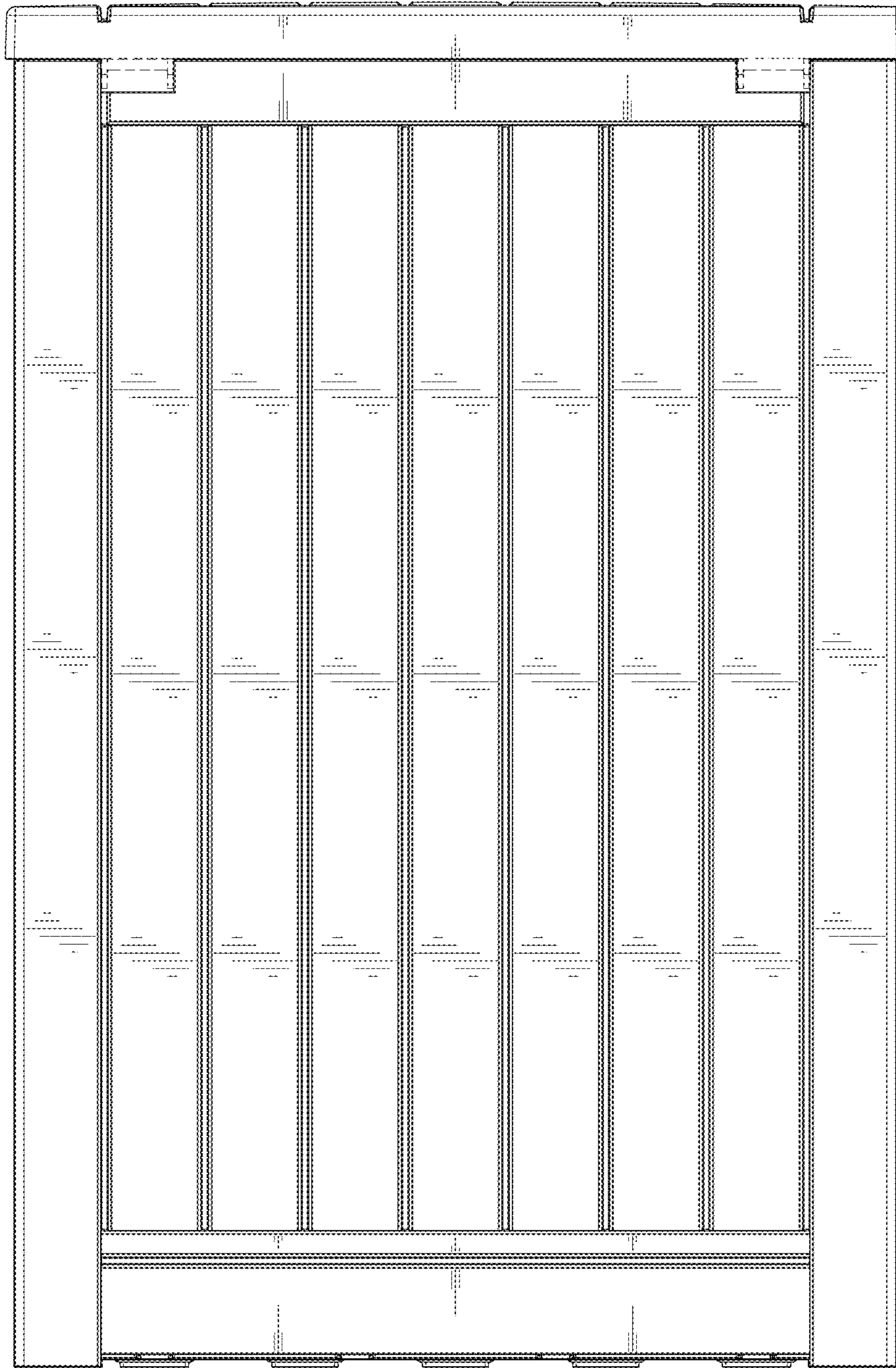


FIG. 4

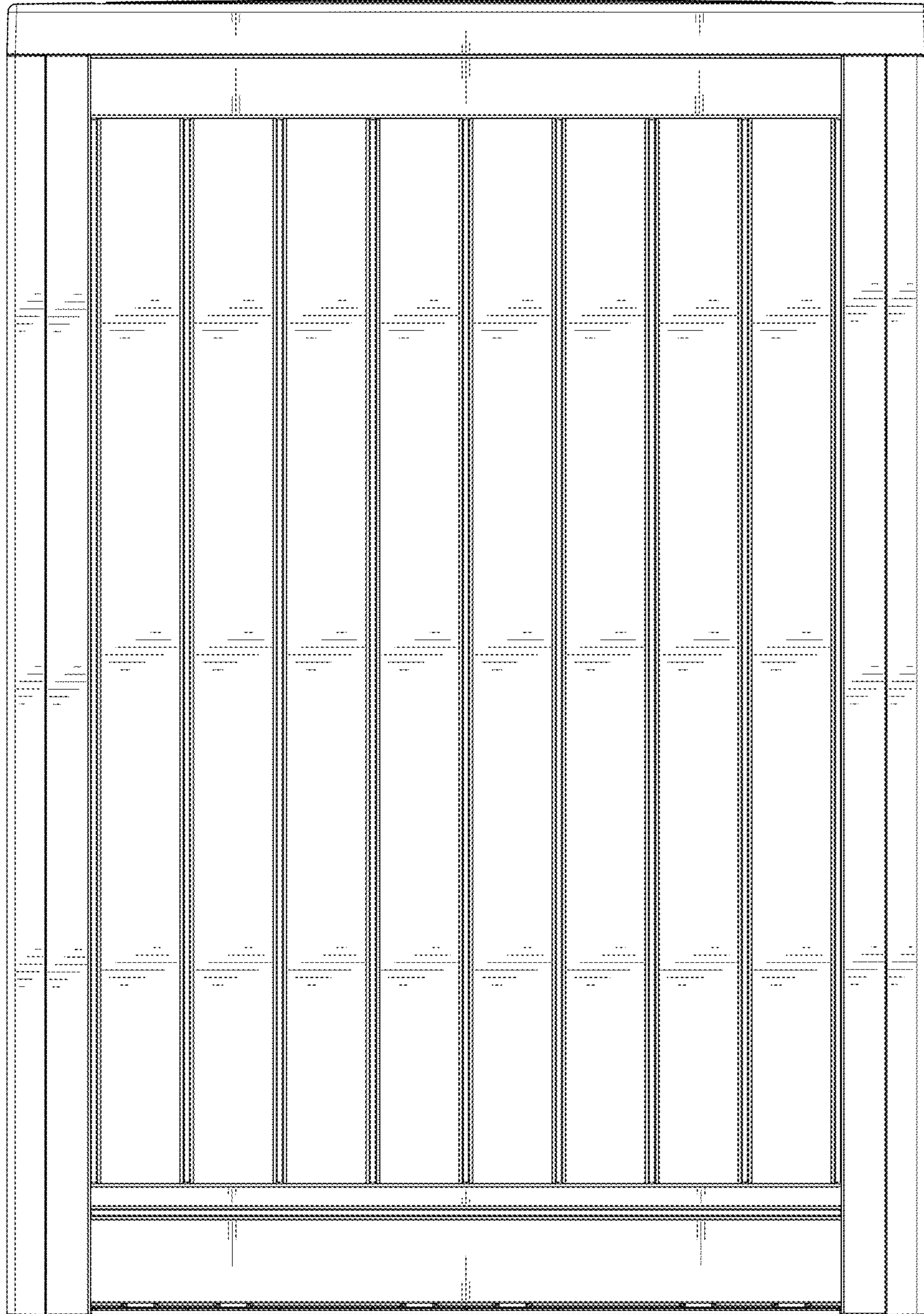


FIG. 5



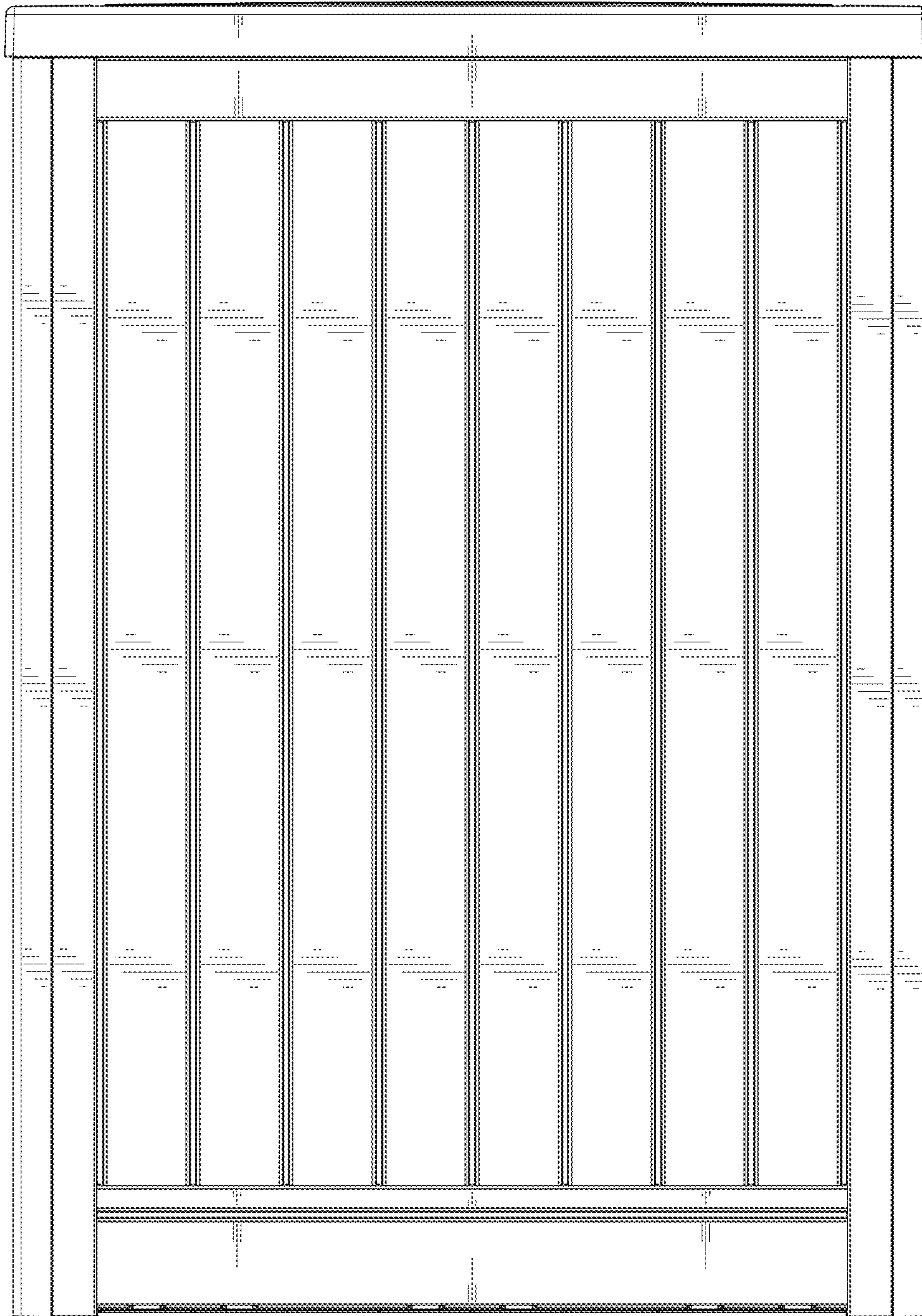


FIG. 6



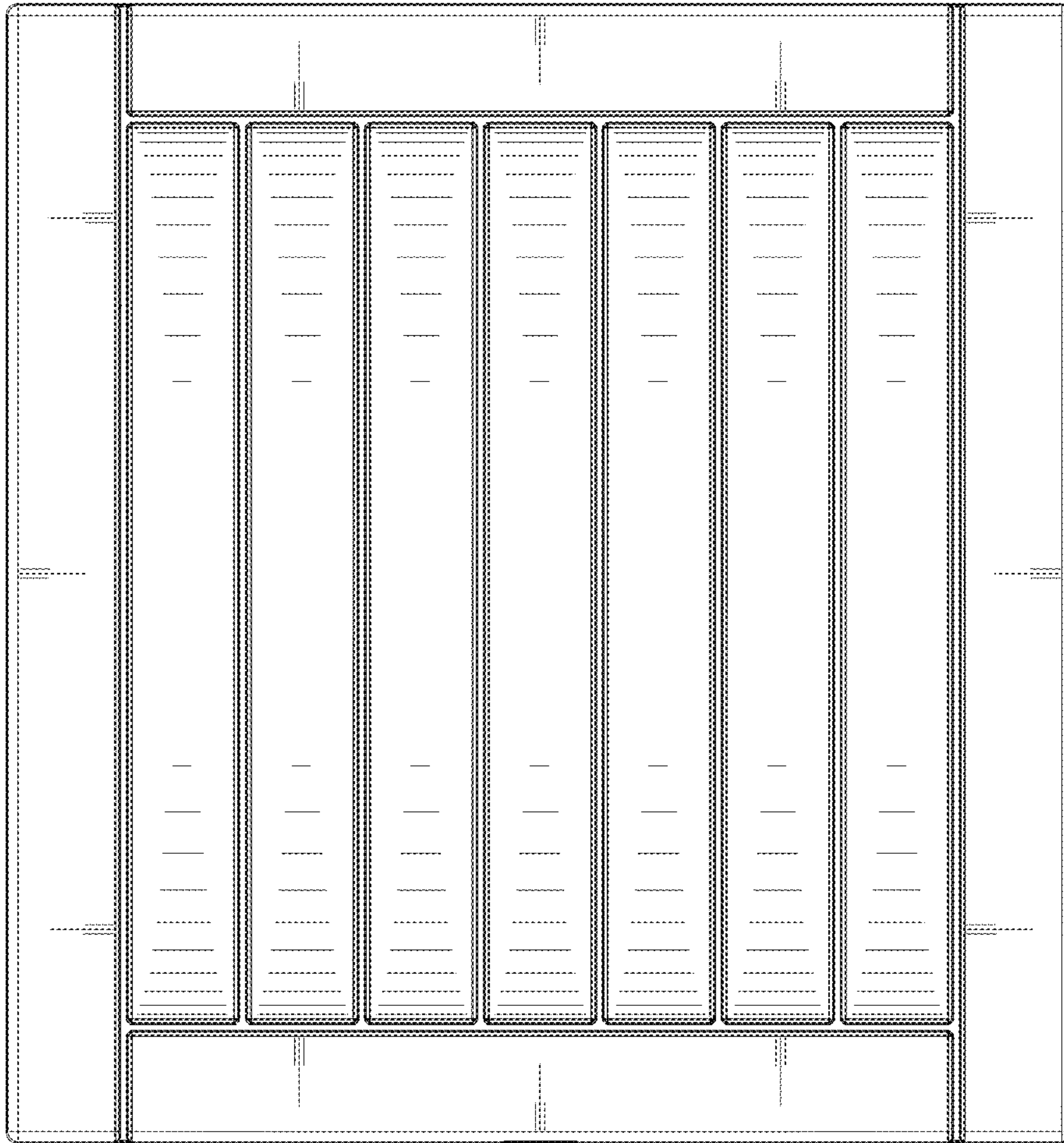


FIG. 7

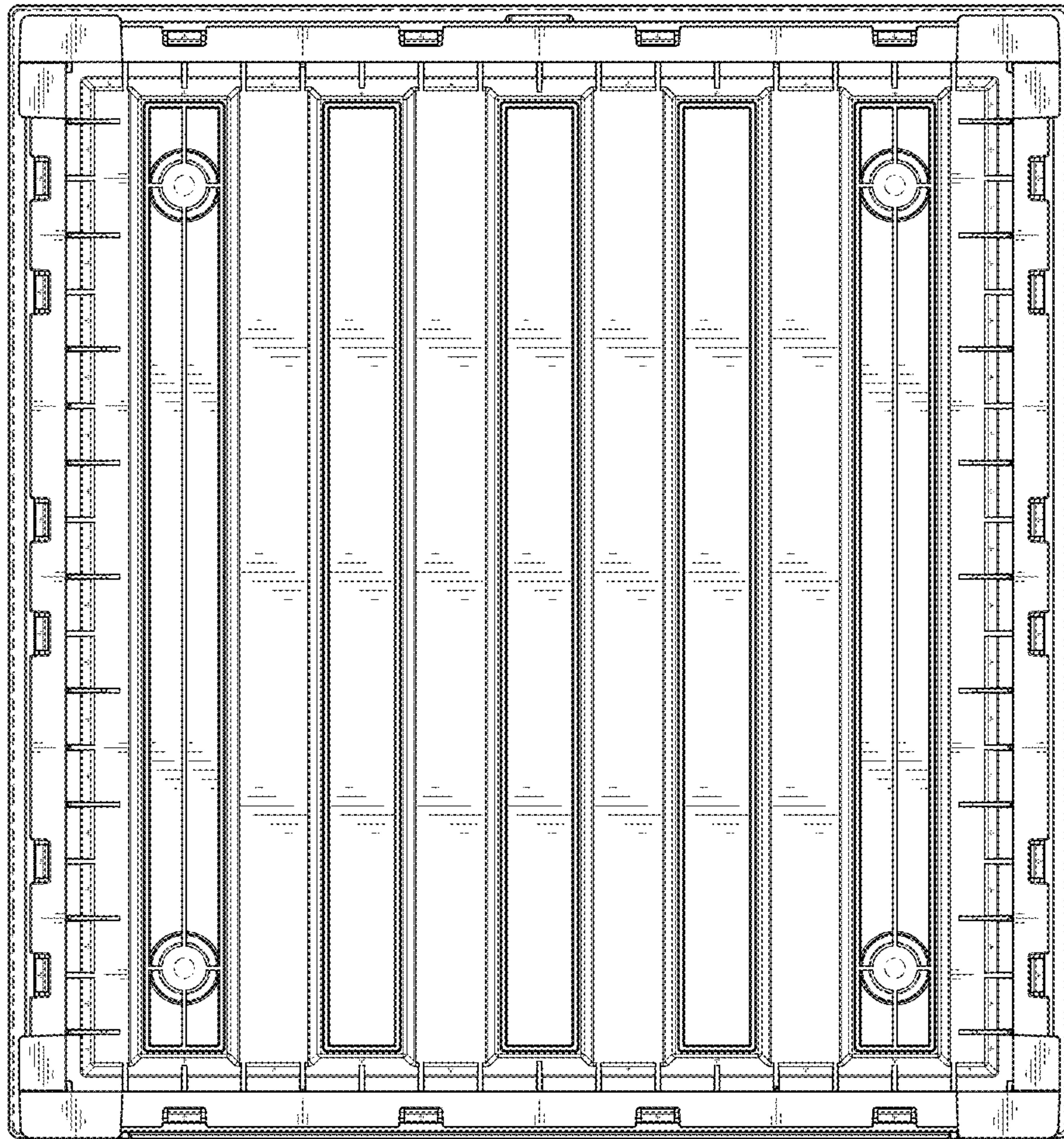


FIG. 8



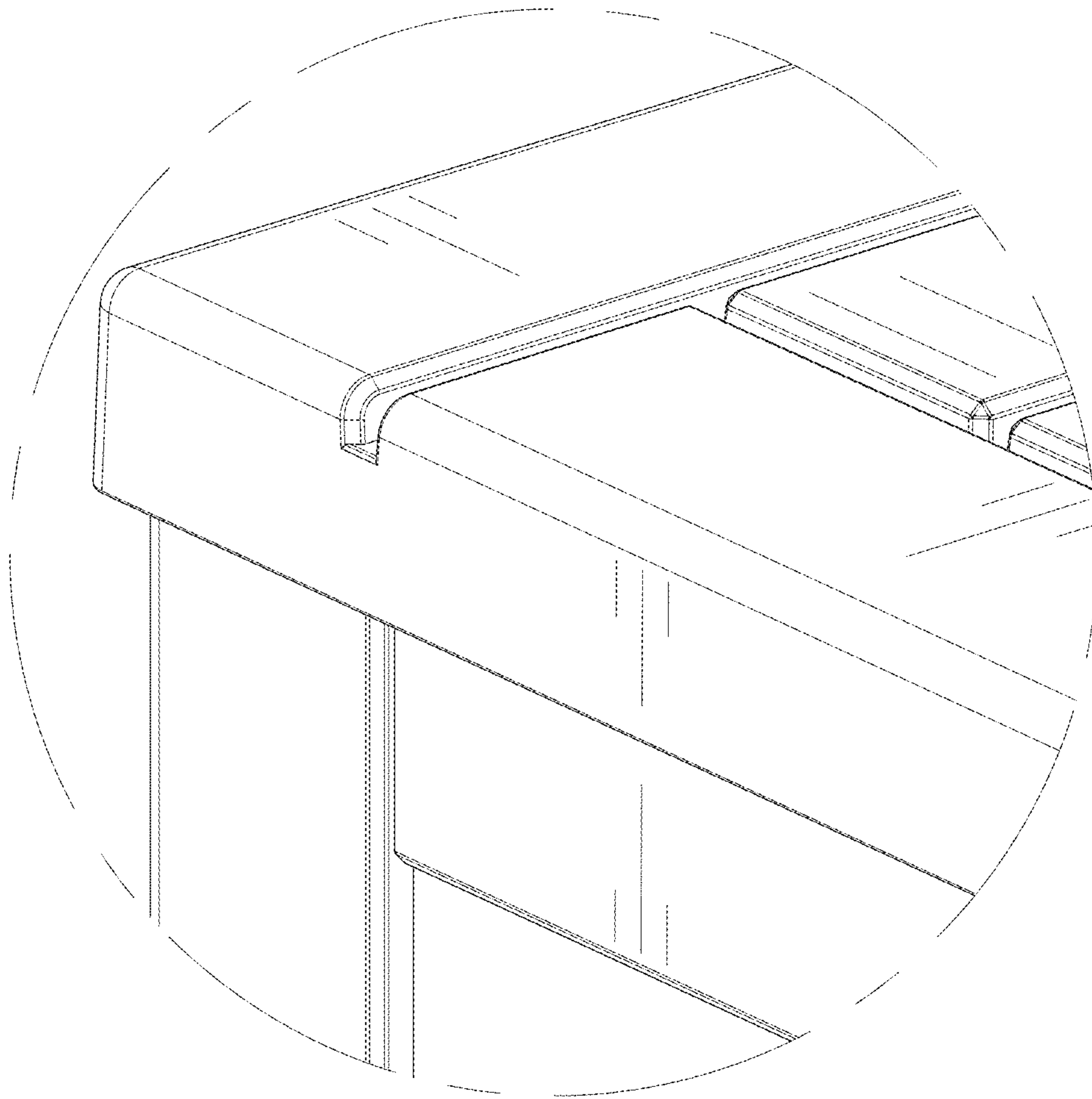


FIG. 9

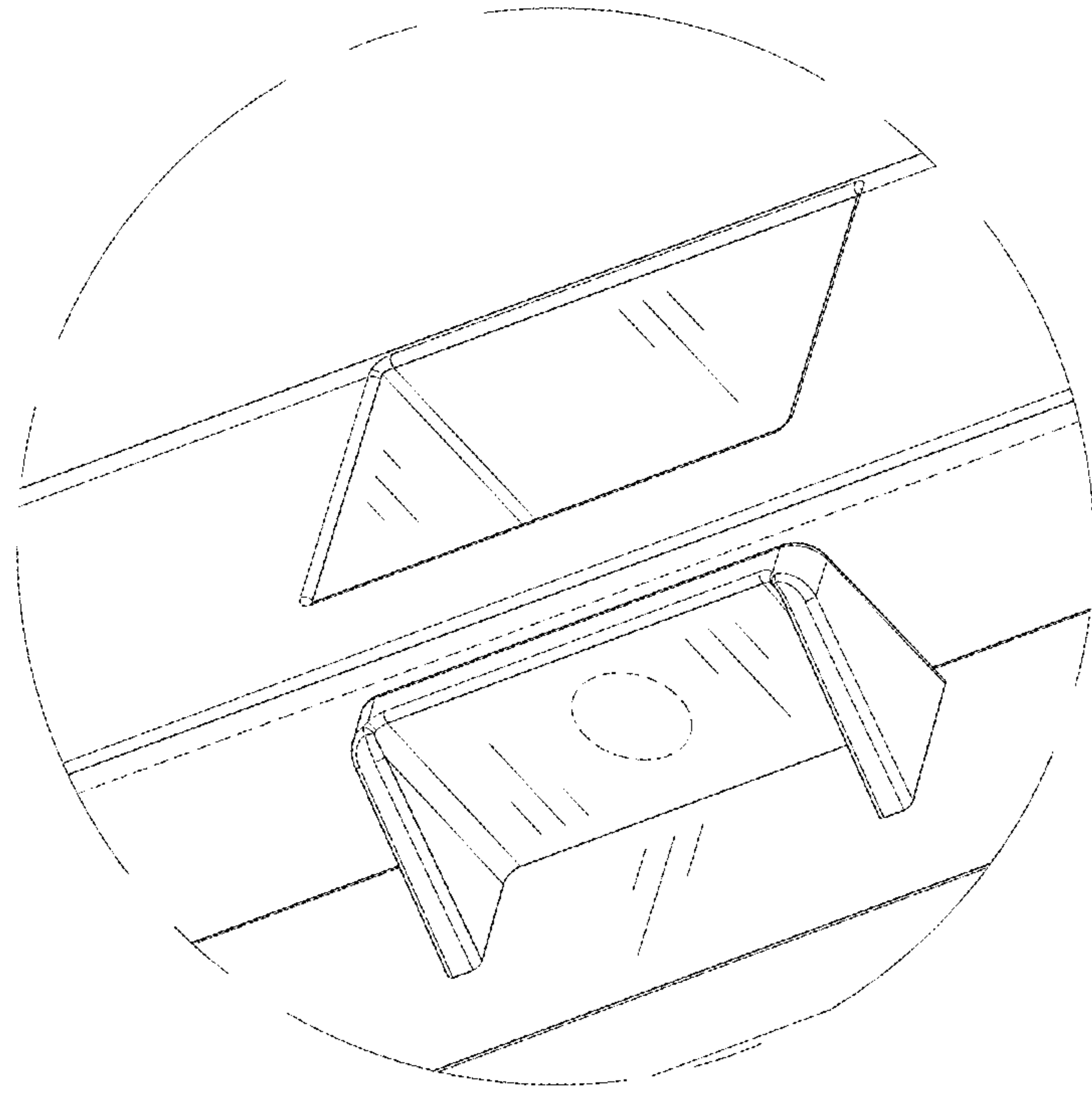


FIG. 10



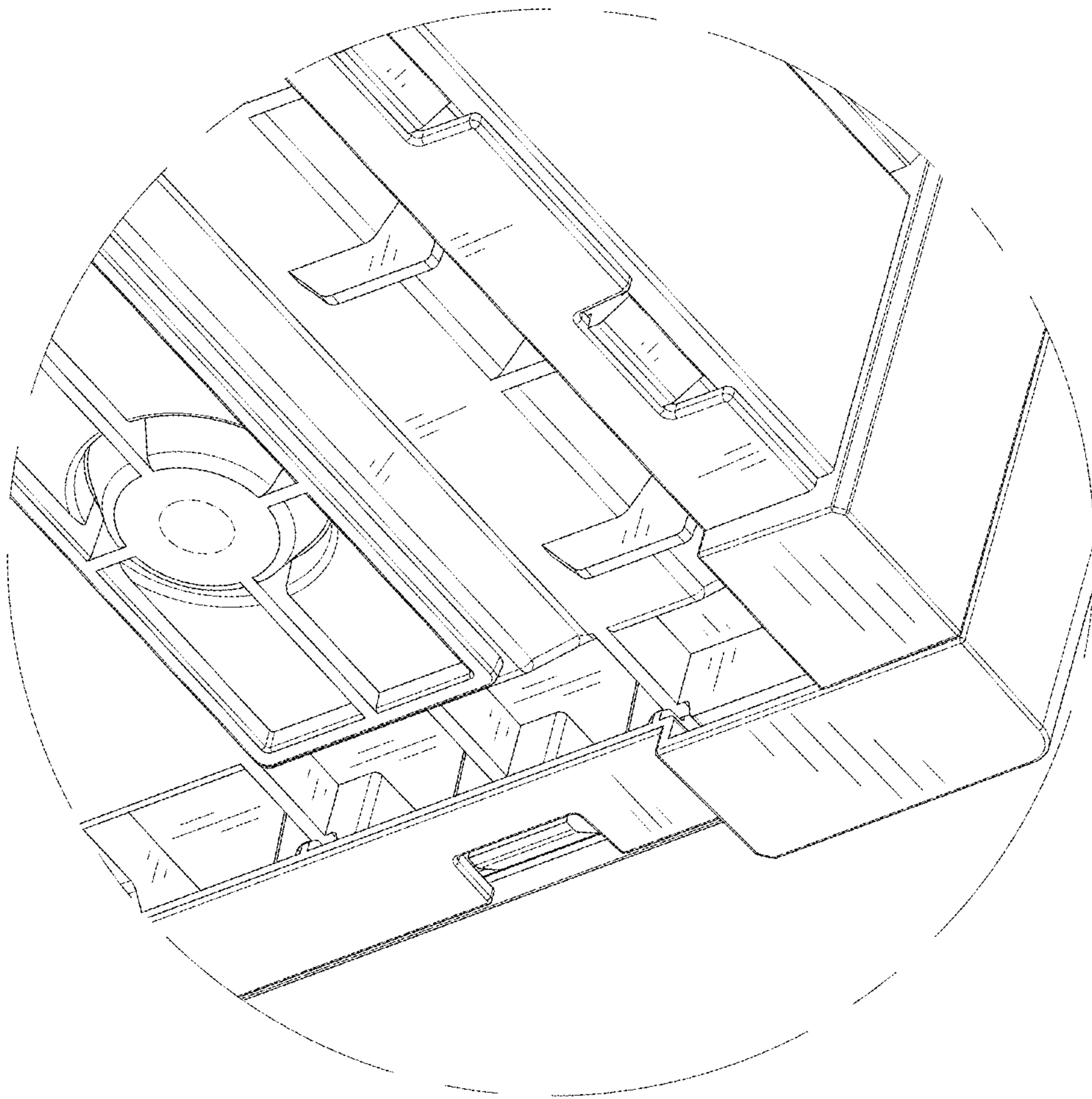


FIG. 11