



US00D988030S

(12) **United States Design Patent** (10) **Patent No.:** **US D988,030 S**
Nakao (45) **Date of Patent:** **** Jun. 6, 2023**

(54) **WALL MOUNTABLE TRAY FOR HAND
CLEANER BOTTLE**

D937,005 S * 11/2021 Lai D6/574
D959,873 S * 8/2022 McClelland D6/574
2011/0164399 A1* 7/2011 Driver A47B 96/028
362/92

(71) Applicant: **THE YOKOHAMA RUBBER CO.,
LTD.**, Tokyo (JP)

FOREIGN PATENT DOCUMENTS

(72) Inventor: **Kazushi Nakao**, Hiratsuka (JP)

CA 58919 * 6/1987
WO WOD214952-001 * 10/2021
WO WOD224407-001 * 11/2022

(73) Assignee: **THE YOKOHAMA RUBBER CO.,
LTD.**, Tokyo (JP)

OTHER PUBLICATIONS

(**) Term: **15 Years**

Rack Shelf, posted unknown [online], [retrieved Jan. 11, 2023].
Retrieved from internet, <https://www.grainger.com/product/20PW21> (Year: 2023).*

(21) Appl. No.: **29/778,622**

(Continued)

(22) Filed: **Apr. 14, 2021**

(51) **LOC (14) Cl.** **06-04**

Primary Examiner — Cynthia Ramirez

(52) **U.S. Cl.**

Assistant Examiner — Jeremy S. Swartz

USPC **D6/574**

(74) *Attorney, Agent, or Firm* — Banner & Witcoff, Ltd.

(58) **Field of Classification Search**

(57) **CLAIM**

USPC D6/574; D8/354, 349, 381
CPC A47B 96/027; A47B 96/061; A47B 13/16;
A47K 1/08; A47F 5/08

The ornamental design for a wall mountable tray for hand
cleaner bottle, as shown and described.

See application file for complete search history.

DESCRIPTION

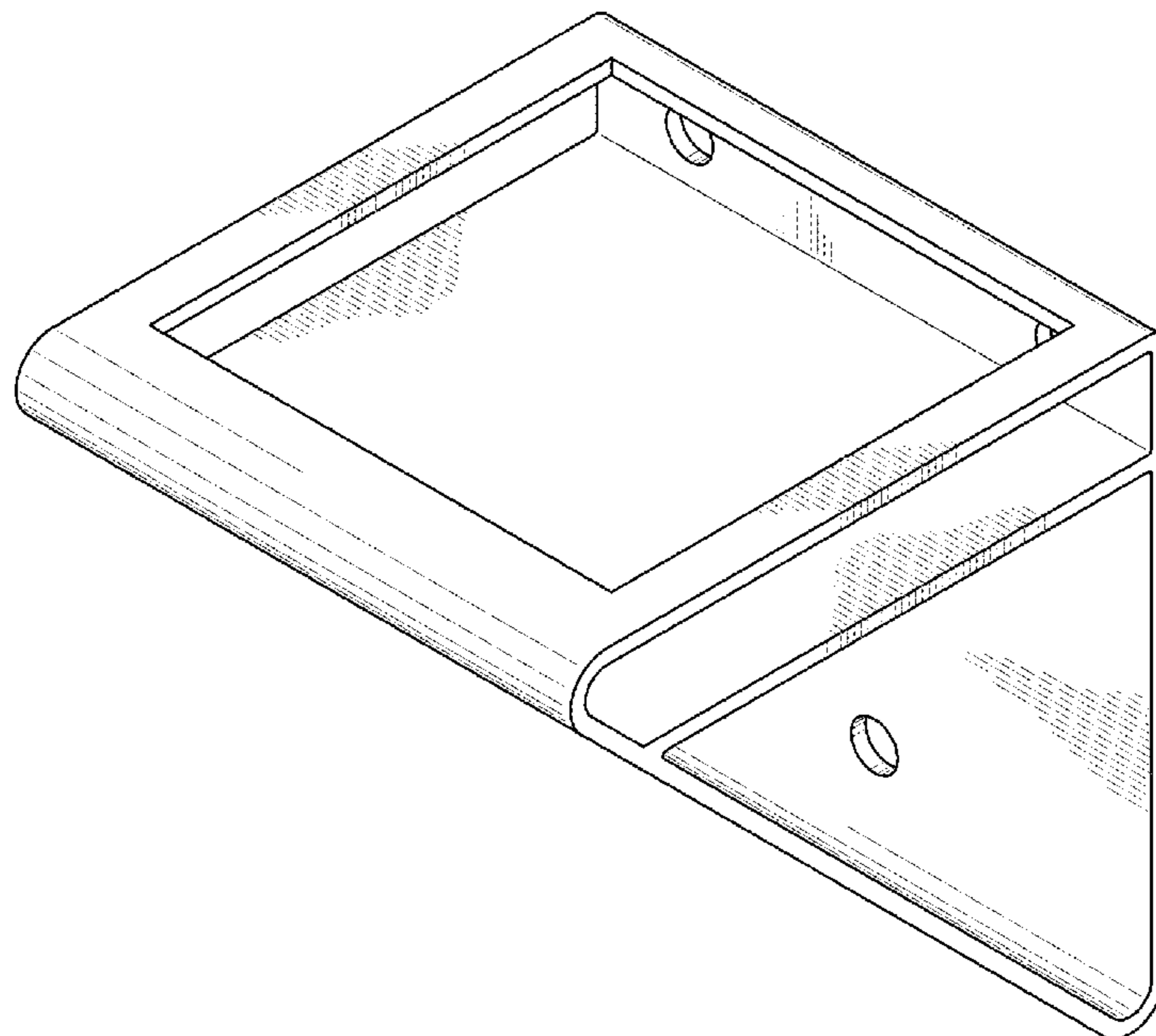
(56) **References Cited**

FIG. 1 is a perspective view of a wall mountable tray for a
hand cleaner bottle showing my design;
FIG. 2 is a front view thereof;
FIG. 3 is a rear view thereof;
FIG. 4 is a top view thereof;
FIG. 5 is a bottom view thereof;
FIG. 6 is a right side view thereof; the left side view being
a mirror image thereof; and,
FIG. 7 is an exemplary view thereof showing a state in use
with the hand cleaner bottle being set.
In the drawings, the broken lines depict environmental
subject matter only and form no part of the claimed design.

U.S. PATENT DOCUMENTS

D290,567 S * 6/1987 Spicer D6/567
4,934,642 A * 6/1990 Baron A47B 96/065
211/90.01
D384,879 S * 10/1997 Carlson D8/381
D405,351 S * 2/1999 Wald D8/381
D468,146 S * 1/2003 Hoernig D6/574
D604,981 S * 12/2009 Frank D6/574
D718,556 S * 12/2014 Kreuzer D6/574
D794,420 S * 8/2017 Emmons D8/349
D835,973 S * 12/2018 Bertato D8/354
11,129,472 B1 * 9/2021 Pierce H04M 1/04

1 Claim, 7 Drawing Sheets



(56)

References Cited

OTHER PUBLICATIONS

Magnet Rectangle Bath Shelf, posted Feb. 15, 2022 [online], [retrieved Jan. 11, 2023]. Retrieved from internet, <https://www.amazon.com/Rectangle-Wall-mounted-Bathroom-Organizer-Accessories/dp/B09SHR817W?th=1> (Year: 2022).*

Dikaca 2 Sets Self-Sundry With Towel Tray, posted Oct. 31, 2022 [online], [retrieved Jan. 11, 2023]. Retrieved from internet, <https://www.amazon.com/DIKACA-Organizing-Cosmetic-Wall-mounted-Nail-free/dp/B0BKZKRPVB> (Year: 2022).*

* cited by examiner

FIG. 1

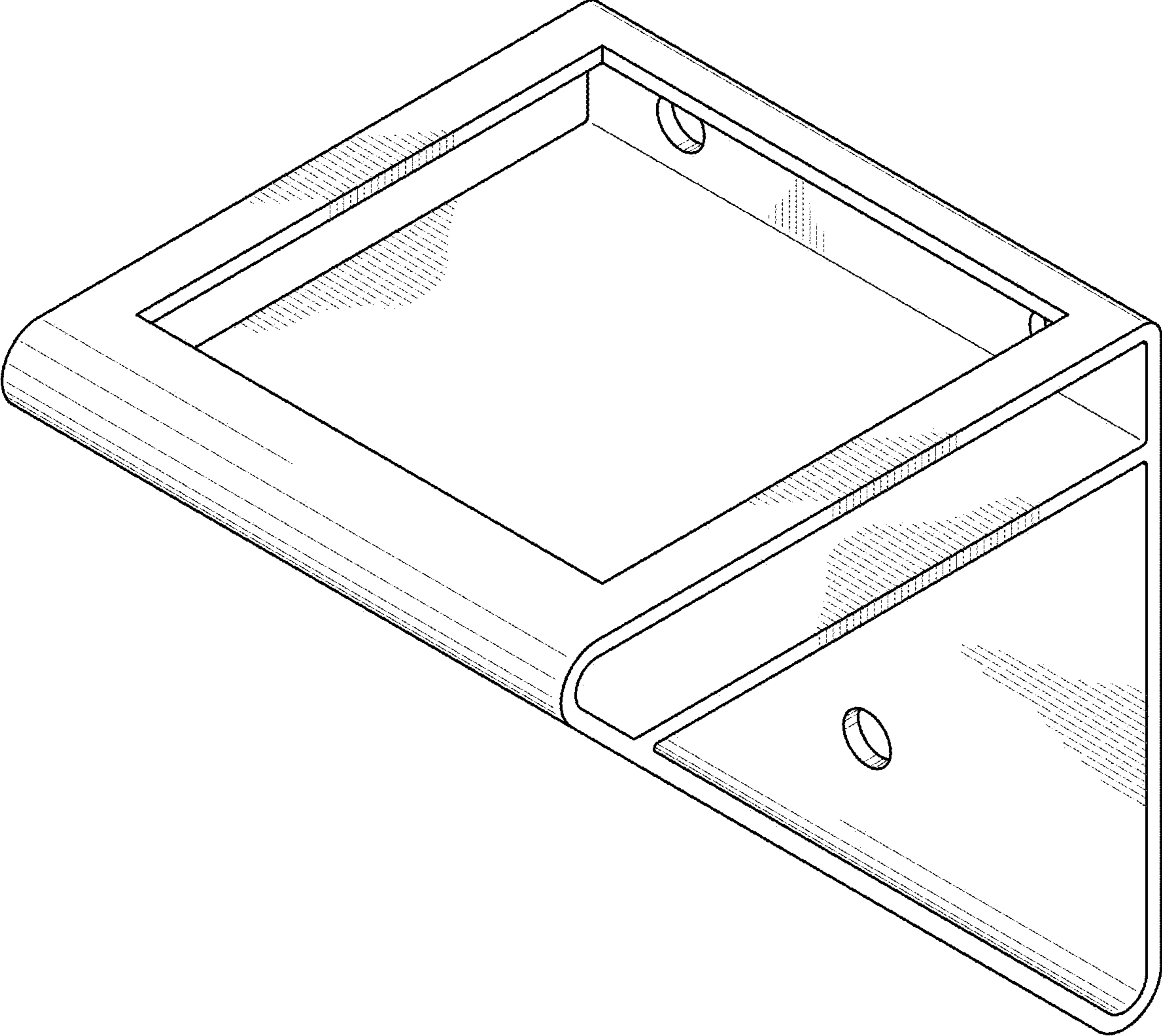


FIG. 2

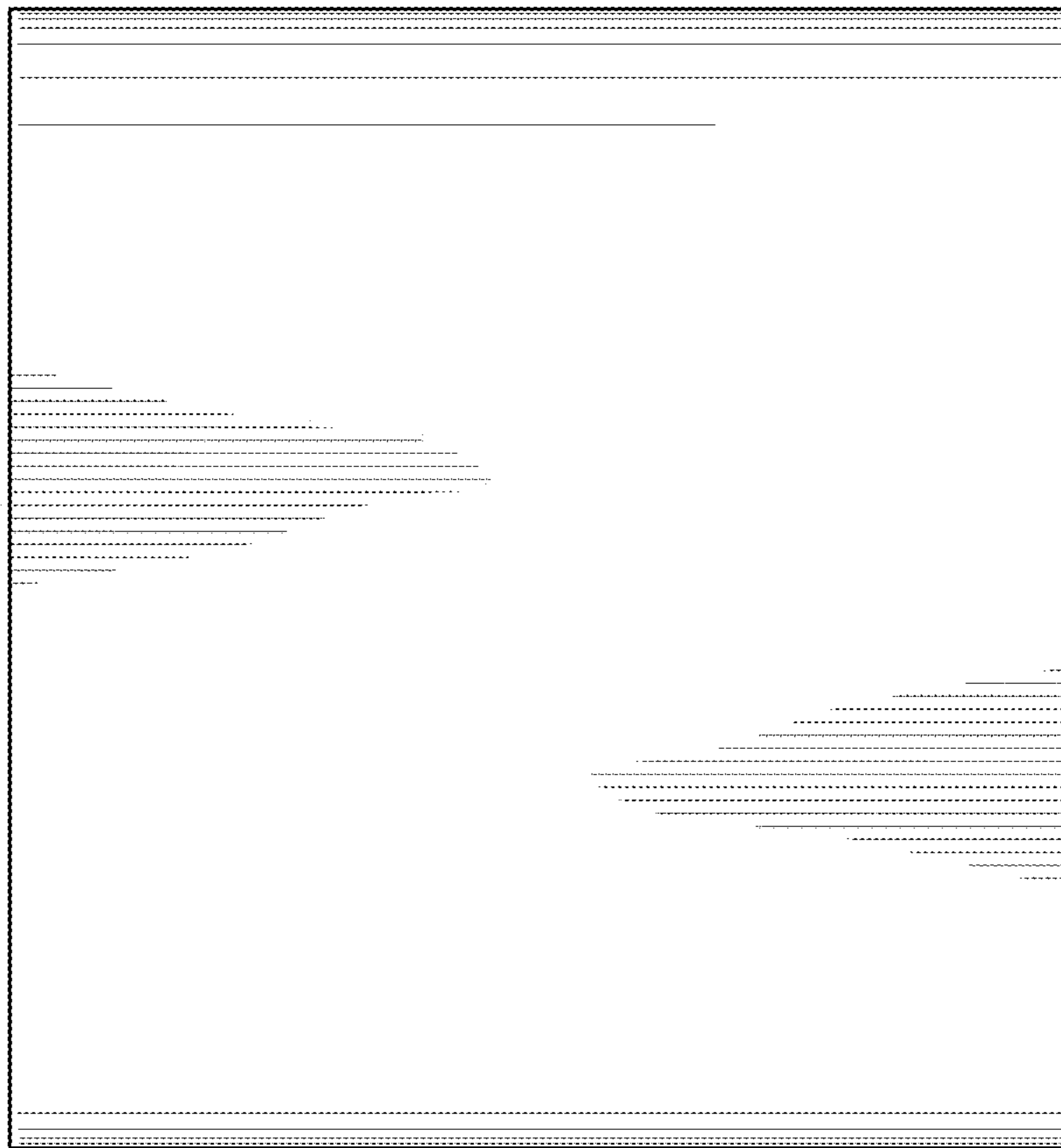


FIG. 3

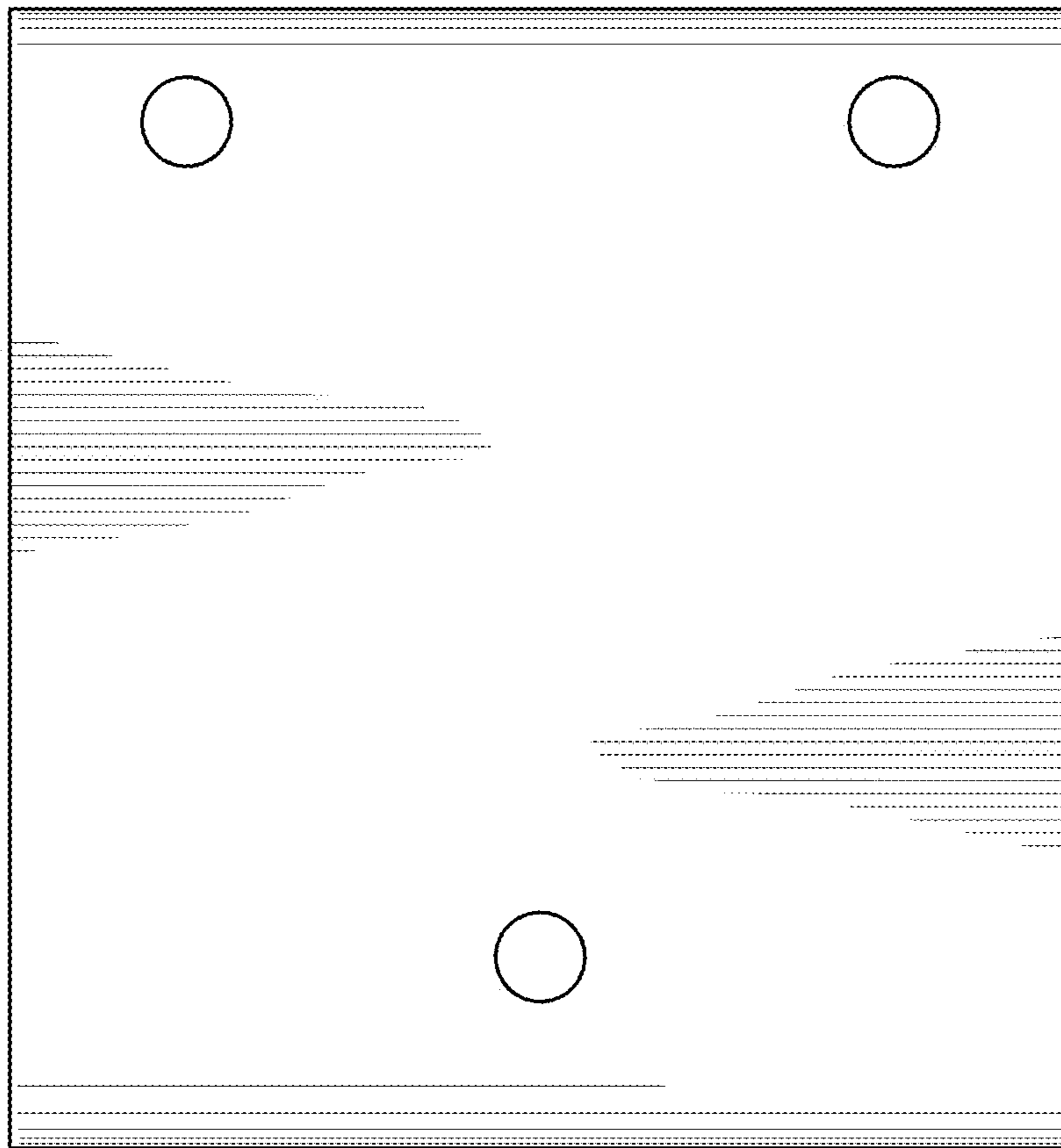


FIG. 4

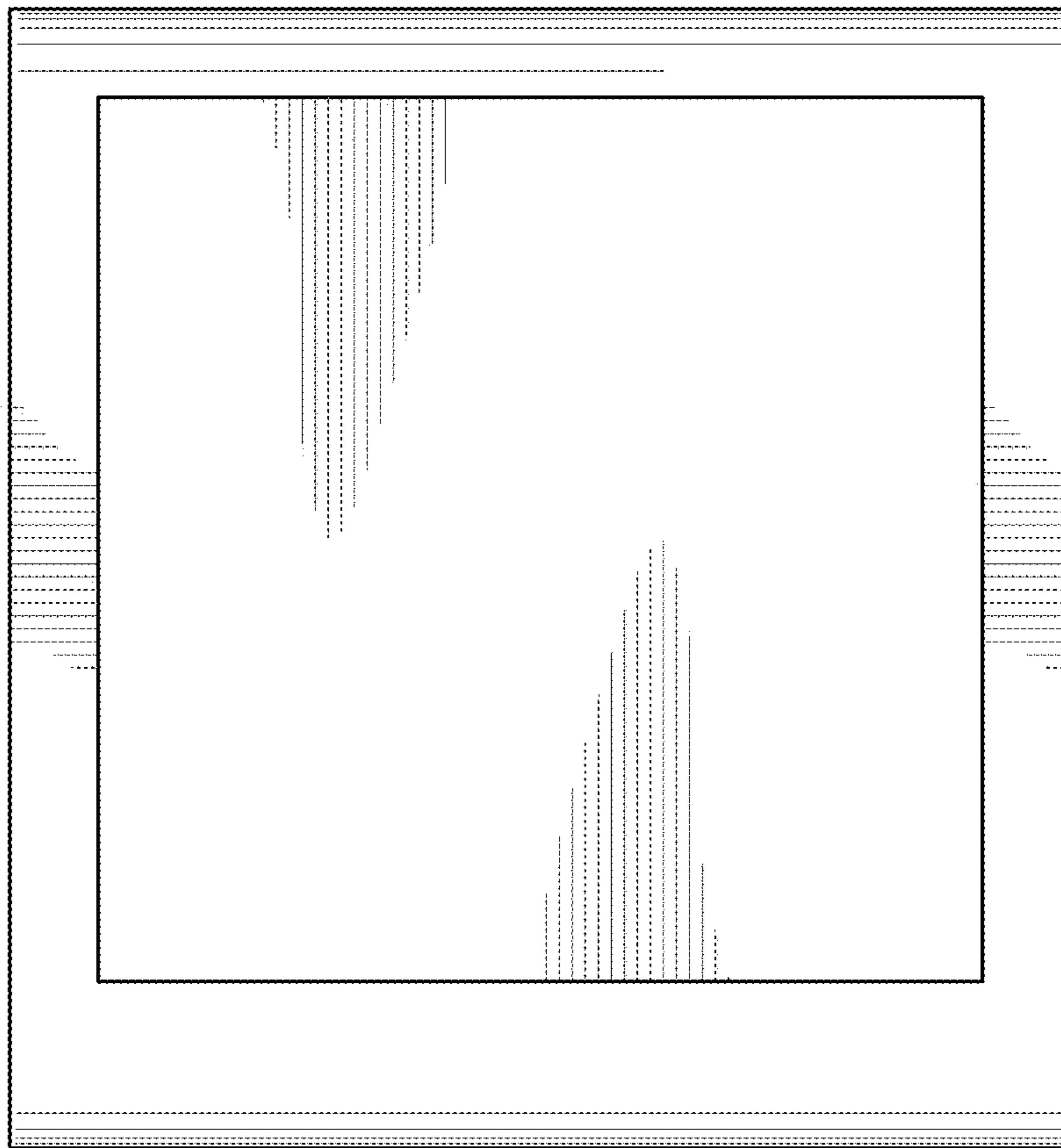


FIG. 5

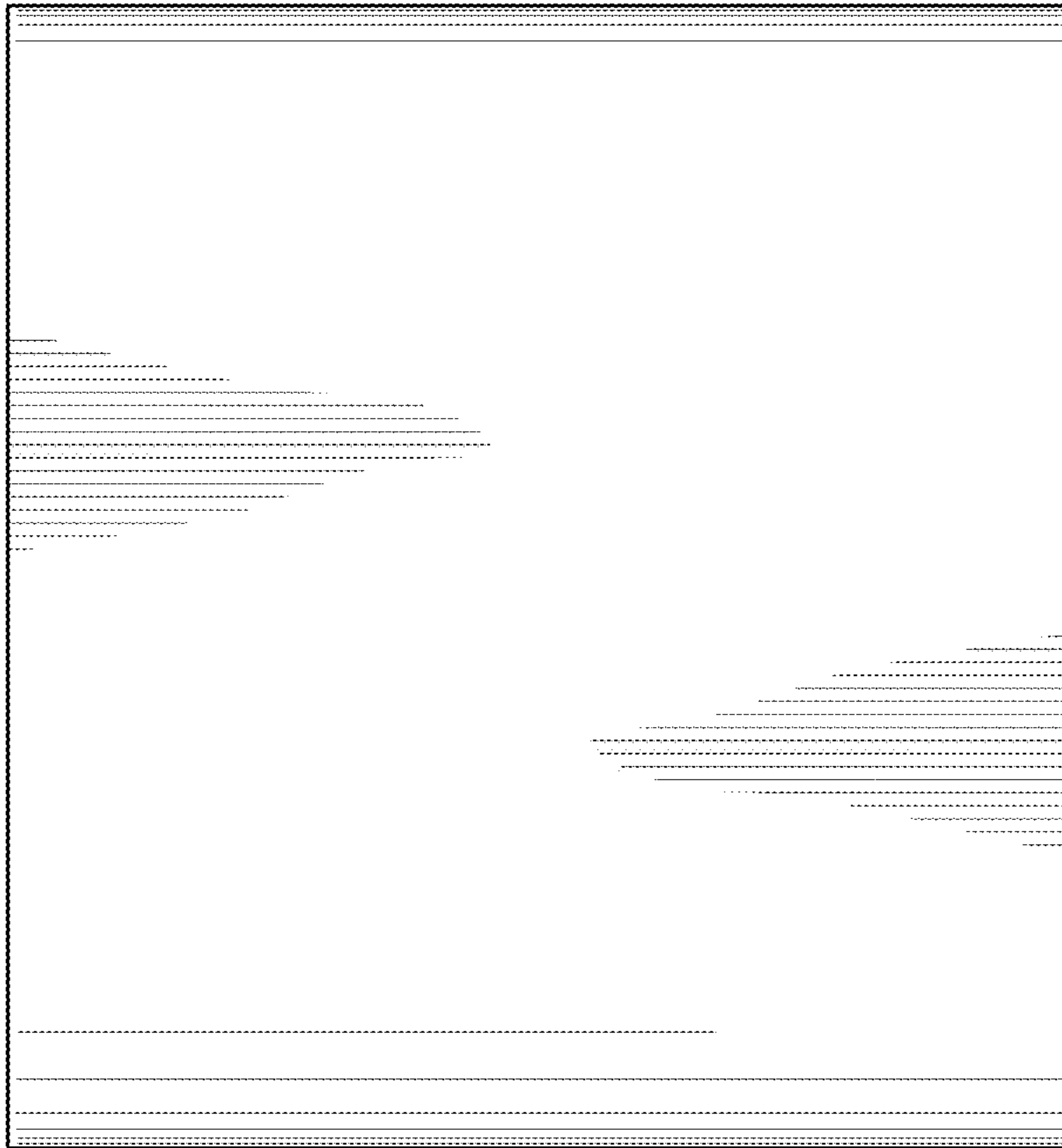


FIG. 6

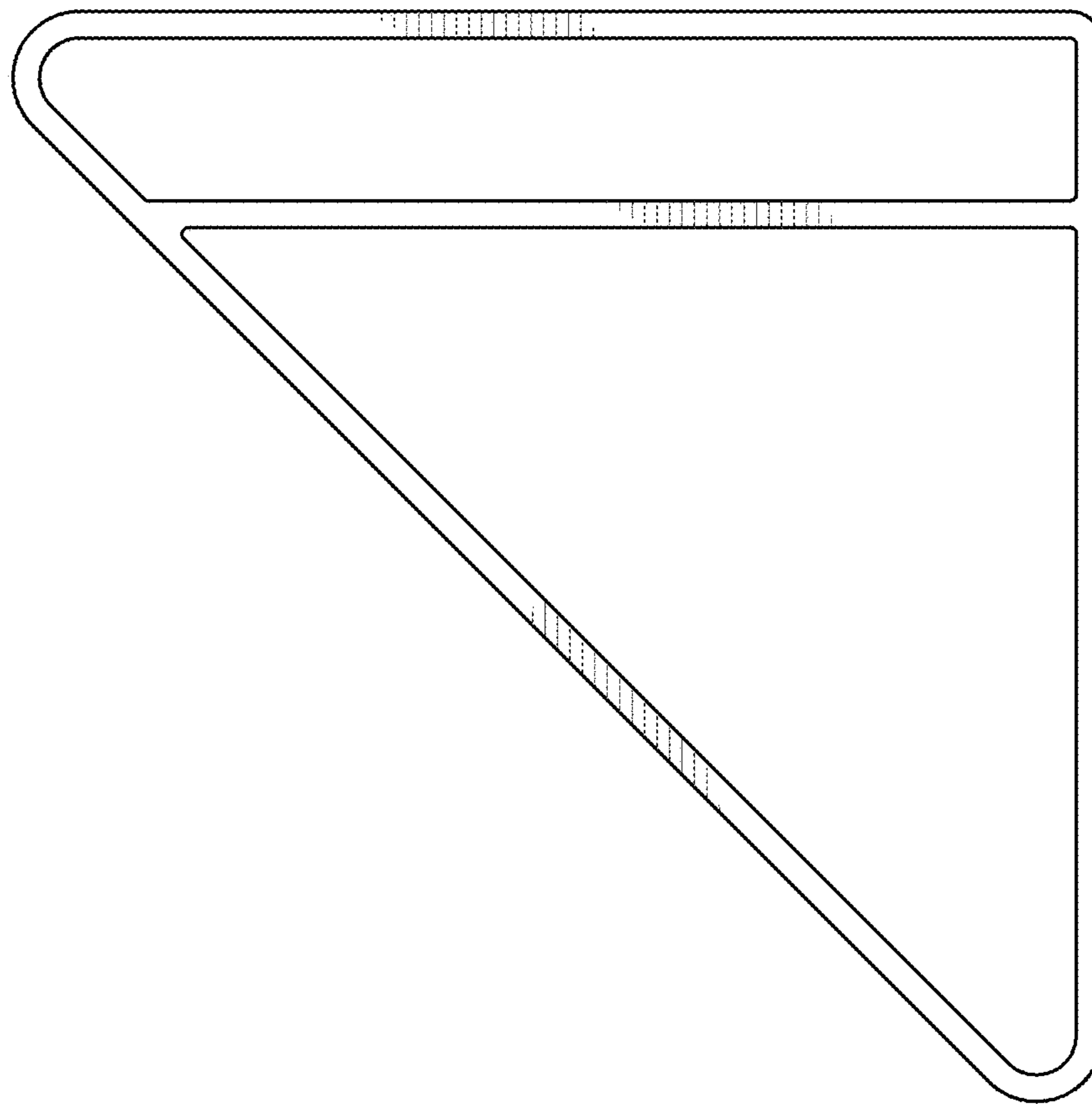
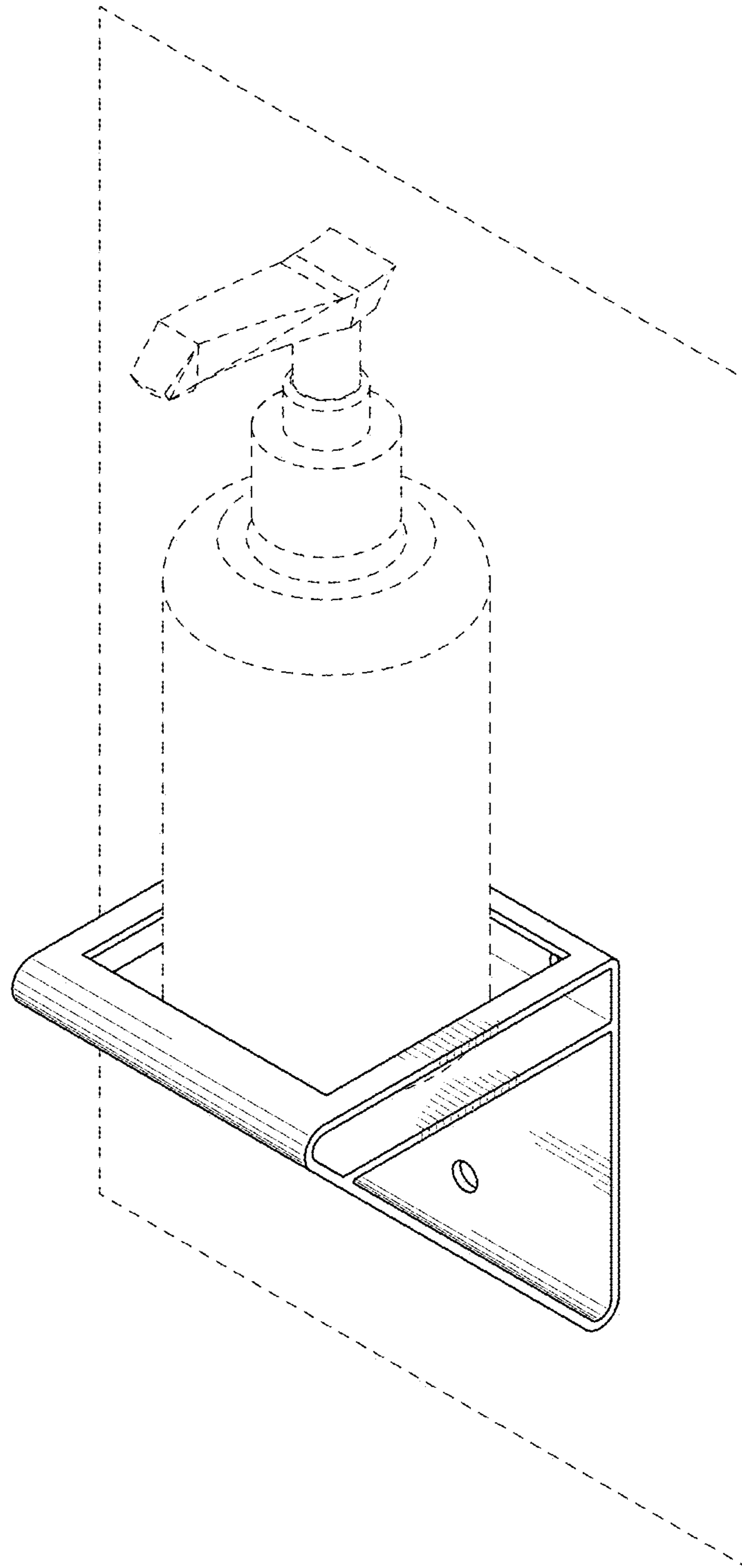


FIG. 7



UNITED STATES PATENT AND TRADEMARK OFFICE
CERTIFICATE OF CORRECTION

PATENT NO. : D988,030 S
APPLICATION NO. : 29/778622
DATED : June 6, 2023
INVENTOR(S) : Kazushi Nakao


Page 1 of 1

It is certified that error appears in the above-identified patent and that said Letters Patent is hereby corrected as shown below:

On the Title Page

Below Item [22] Filing date:
Insert --(30) Foreign Application Priority Data
Oct. 14, 2020 (JP)2020-022072 D--

Signed and Sealed this
Nineteenth Day of September, 2023



Katherine Kelly Vidal
Director of the United States Patent and Trademark Office