



US00D988029S

(12) **United States Design Patent**  
**Kitt**

(10) **Patent No.:** **US D988,029 S**  
(45) **Date of Patent:** **\*\* Jun. 6, 2023**

(54) **WORKSTATION MOUNTING APPARATUS**

FOREIGN PATENT DOCUMENTS

(71) Applicant: **Keymed (Medical & Industrial Equipment) Ltd.**, Southend-on-Sea (GB)

CN	202627133	U	1/2013		
CN	112043529	A	* 12/2020	.....	A61B 50/20
CN	112043529	B	* 11/2022	.....	A61B 50/20
EP	3747390	A1	* 12/2020	.....	A61B 50/20
GB	2584477	A	* 12/2020	.....	A61B 50/20
GB	2584477	B	* 9/2021	.....	A61B 50/20
JP	2020203085	A	* 12/2020	.....	A61B 50/20

(72) Inventor: **David A. Kitt**, Southend-on-Sea (GB)

\* cited by examiner

(73) Assignee: **Keymed (Medical & Industrial Equipment) Ltd.**, Southend-on-Sea (GB)

*Primary Examiner* — Jennifer L Rempfer

*Assistant Examiner* — Bethany Louise Mallino

(\*\*) Term: **15 Years**

(74) *Attorney, Agent, or Firm* — Leydig, Voit & Mayer, Ltd.

(21) Appl. No.: **29/736,539**

(57) **CLAIM**

An ornamental design for a workstation mounting apparatus, as shown and described.

(22) Filed: **Jun. 1, 2020**

(51) **LOC (14) Cl.** ..... **08-08**

**DESCRIPTION**

(52) **U.S. Cl.**

USPC ..... **D6/571**

(58) **Field of Classification Search**

USPC ..... D6/512–514, 566, 567, 569–575; D7/641, 704

CPC ..... A61G 12/001; A61G 12/008

See application file for complete search history.

(56) **References Cited**

U.S. PATENT DOCUMENTS

2,028,694	A	1/1936	Spinks	
4,583,647	A	4/1986	Schinzing	
10,966,891	B2 *	4/2021	Kitt	..... A61G 12/008
2004/0251227	A1	12/2004	Perkins et al.	
2010/0327134	A1	12/2010	Lundrigan et al.	
2011/0290965	A1	12/2011	Virgin	
2014/0049014	A1	2/2014	Schumacher et al.	
2017/0037660	A1	2/2017	Chesterton et al.	
2020/0383856	A1 *	12/2020	Kitt	..... A61B 50/22

FIG. 1 is an isometric view showing the rear and top of our design of a workstation mounting apparatus.

FIG. 2 is an isometric view showing the front and bottom of the workstation mounting apparatus of FIG. 1.

FIG. 3 is a rear elevational view of the workstation mounting apparatus of FIGS. 1 and 2.

FIG. 4 is a front elevational view of the workstation mounting apparatus of FIGS. 1-3.

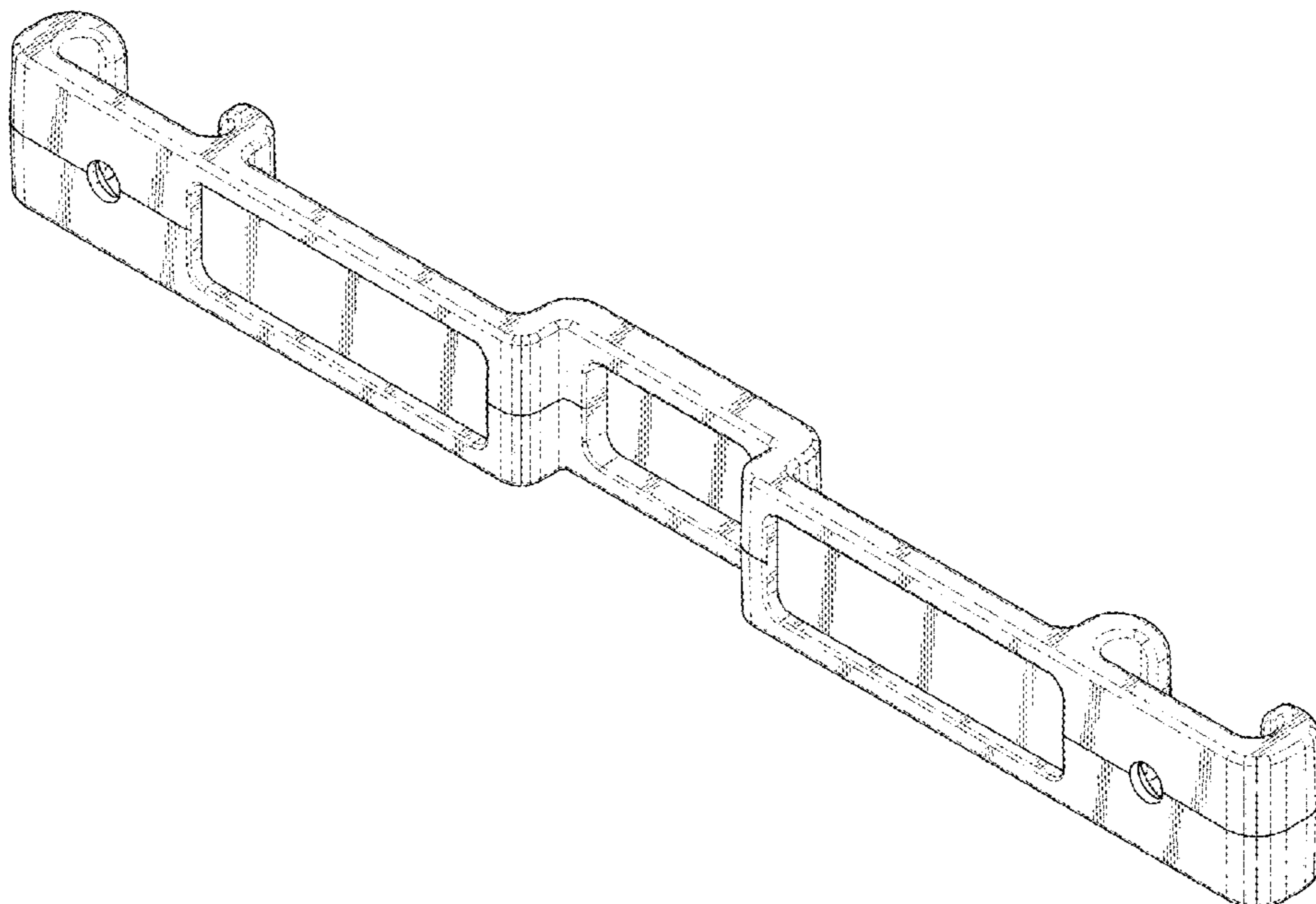
FIG. 5 is a left side elevational view of the workstation mounting apparatus of FIGS. 1-4.

FIG. 6 is a right side elevational view of the workstation mounting apparatus of FIGS. 1-5.

FIG. 7 is a top plan view of the workstation mounting apparatus of FIGS. 1-6; and,

FIG. 8 is a bottom view of the workstation mounting apparatus of FIGS. 1-7.

**1 Claim, 5 Drawing Sheets**



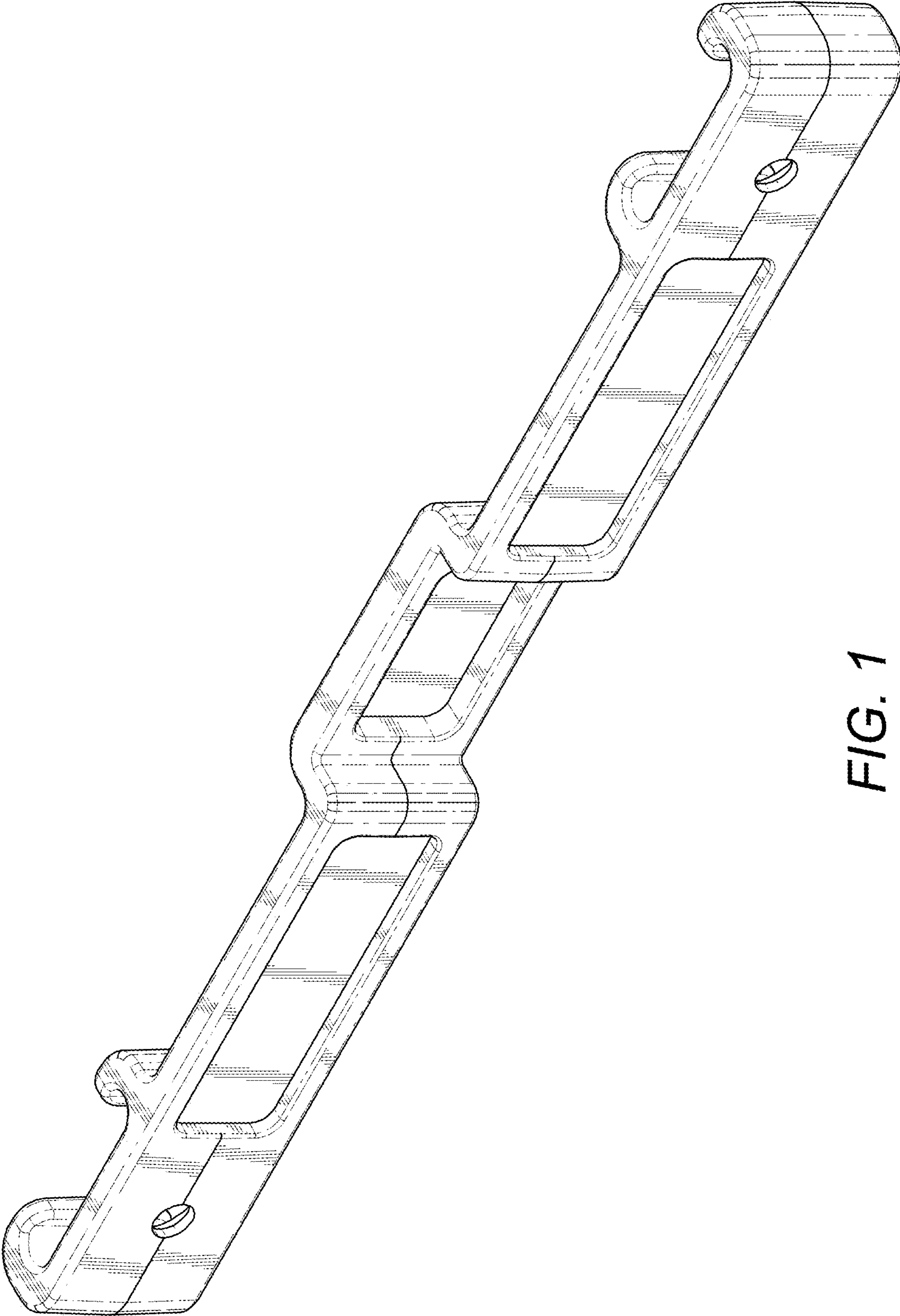


FIG. 1

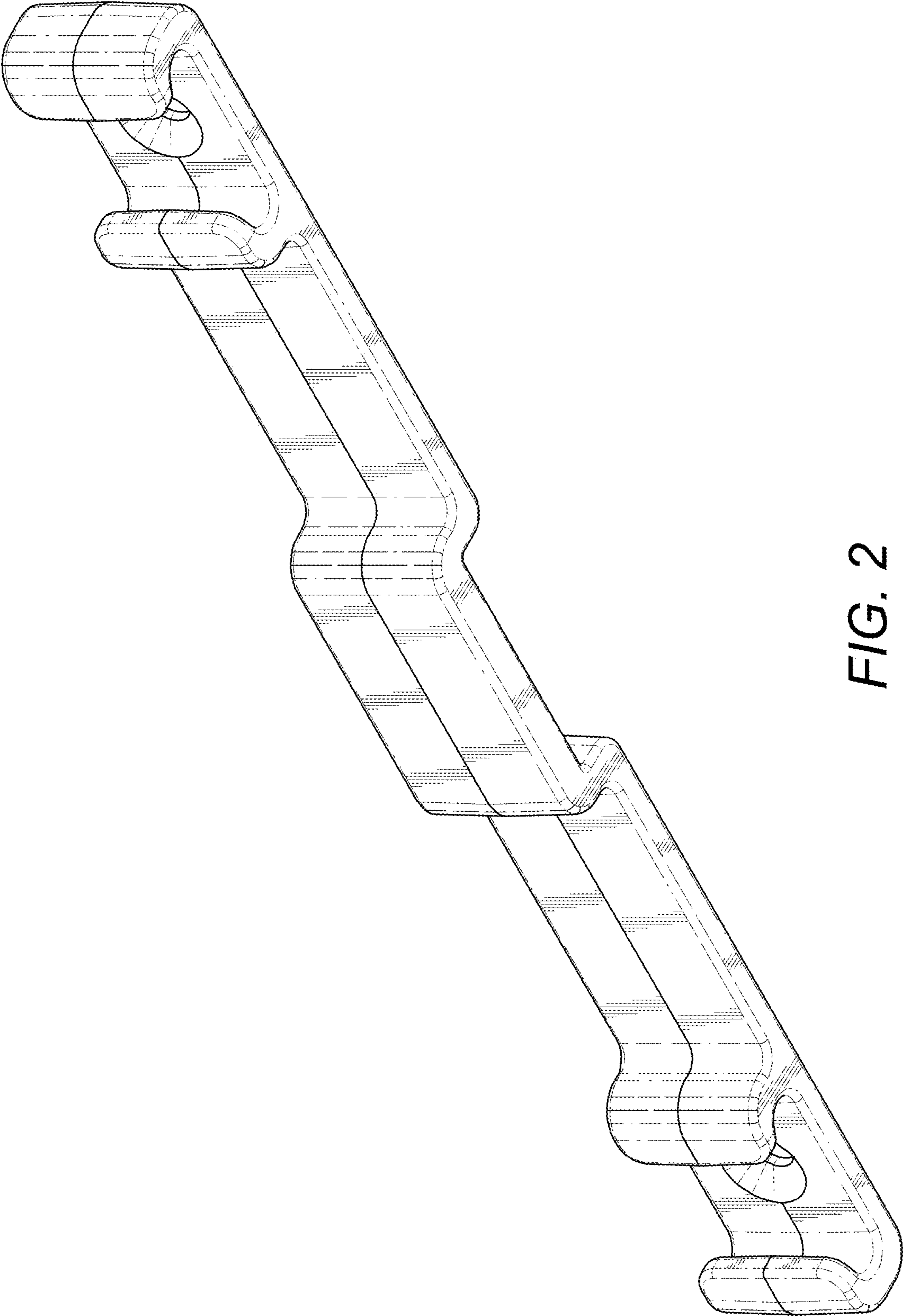
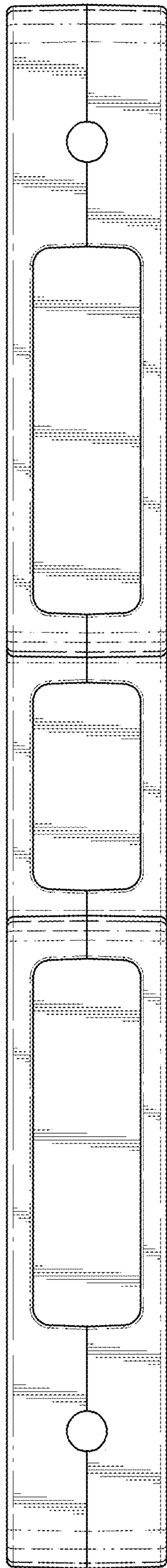
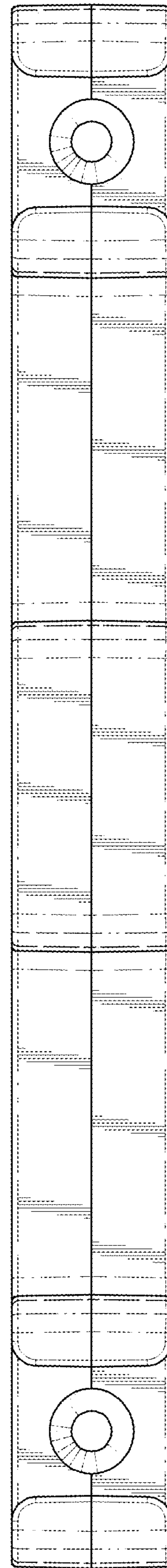


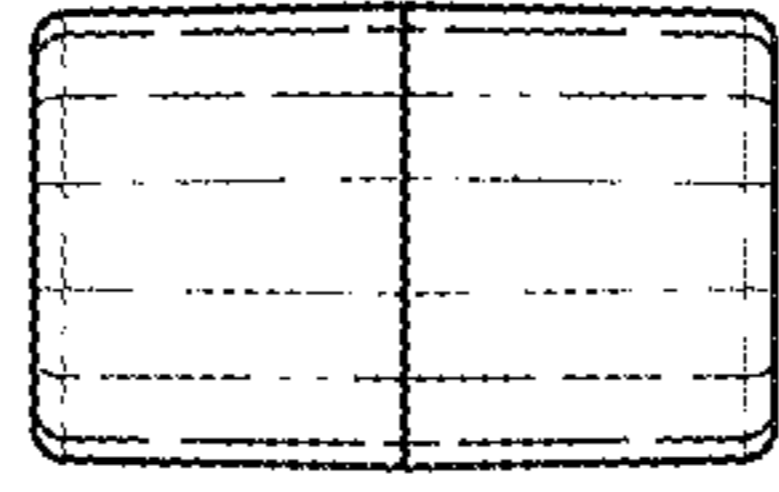
FIG. 2



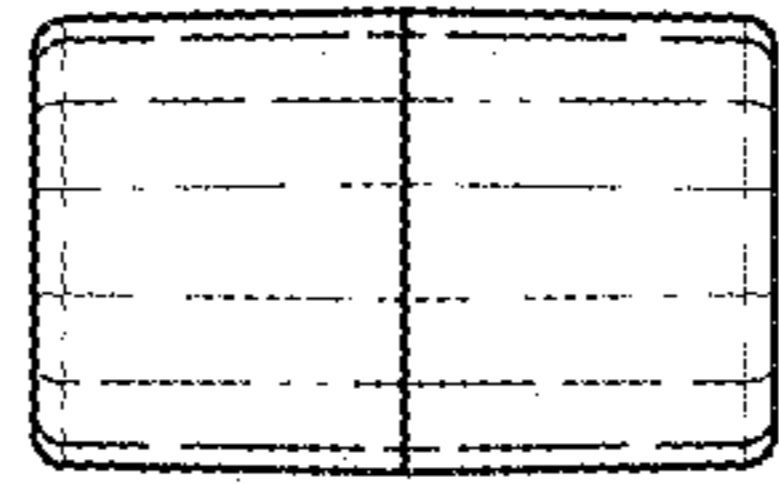
*FIG. 3*



*FIG. 4*



*FIG. 6*



*FIG. 5*

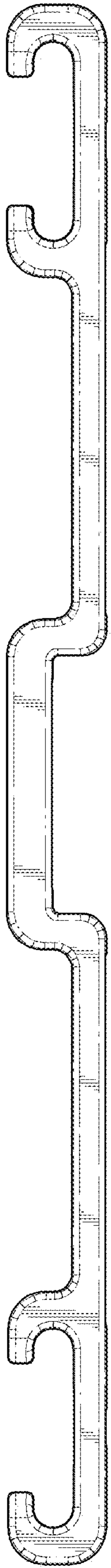


FIG. 7

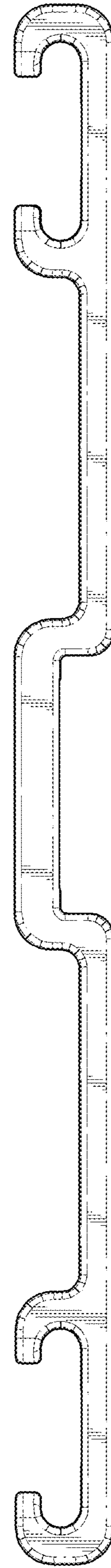


FIG. 8