



US00D988027S

(12) **United States Design Patent**  
**Chen**

(10) **Patent No.:** **US D988,027 S**

(45) **Date of Patent:** **\*\* Jun. 6, 2023**

(54) **SIX-SECTION TOOTHBRUSH HOLDER WITH DETACHABLE TRAY**

(71) Applicant: **Wei Chen**, Fujian (CN)

(72) Inventor: **Wei Chen**, Fujian (CN)

(\*\*) Term: **15 Years**

(21) Appl. No.: **29/849,558**

(22) Filed: **Aug. 11, 2022**

(51) **LOC (14) Cl.** ..... **23-02**

(52) **U.S. Cl.**  
USPC ..... **D6/534**

(58) **Field of Classification Search**  
USPC ..... D6/512, 513, 524, 525, 526, 528, 531, D6/532, 534, 535, 536, 540, 553, 566; D32/52, 55; D34/7; 211/13.1, 71.01, 74, 211/75, 86.01, 126.1, 133.5, 134, 181.1  
CPC ..... A47K 17/00; A47K 3/281; A47K 3/001; A47K 3/004; A47K 5/00; A47K 5/03; B23P 17/04; A47B 57/265; A47B 57/565; A47B 57/26; A47J 47/16; A47J 47/201  
See application file for complete search history.

(56) **References Cited**

**U.S. PATENT DOCUMENTS**

- 1,561,432 A \* 11/1925 Hitchcock ..... A47K 5/02 D6/540
- D209,159 S \* 11/1967 Kesilman ..... D32/55
- 4,834,262 A \* 5/1989 Reed ..... B65F 1/004 220/23.6
- D305,589 S \* 1/1990 Timmons ..... D6/524
- D333,026 S \* 2/1993 Befus ..... D34/7
- D335,232 S \* 5/1993 Whitlock ..... D6/525
- D335,730 S \* 5/1993 Tessner ..... D34/1
- D341,973 S \* 12/1993 Gerstmar ..... D6/524
- D344,381 S \* 2/1994 Martin ..... D34/1
- D347,923 S \* 6/1994 Martin ..... D34/1
- D414,362 S \* 9/1999 Olmos ..... D6/525

- D462,553 S \* 9/2002 Gerstmar ..... D6/528
- D500,221 S \* 12/2004 Merkel
- 7,080,416 B1 \* 7/2006 Portnell ..... A47K 3/001 211/119.011
- D582,120 S \* 12/2008 Snell ..... D32/55
- D596,819 S \* 7/2009 Mancini ..... D34/7
- D636,198 S \* 4/2011 Gibbs ..... D6/567
- D657,986 S \* 4/2012 Climer
- D661,487 S \* 6/2012 Kraemer ..... D3/304
- D702,963 S \* 4/2014 Chavis ..... D6/513
- D814,248 S \* 4/2018 Le ..... D7/637
- D816,933 S \* 5/2018 Klipshtein ..... D32/55
- D826,594 S \* 8/2018 Joseph ..... D6/528
- D827,329 S \* 9/2018 Joseph ..... D6/528
- D833,699 S \* 11/2018 Serrahima ..... D32/55
- D851,423 S \* 6/2019 Li ..... D6/534

(Continued)

**OTHER PUBLICATIONS**

Amazon.com, Kids Electric Toothbrush Holders for Bathrooms Couter Plastic Toothbrush Organizer, Jul. 23, 2022, <https://www.amazon.com/dp/B0B7D9J1G6/> (Year: 2022).\*

*Primary Examiner* — Nathan M Johnston

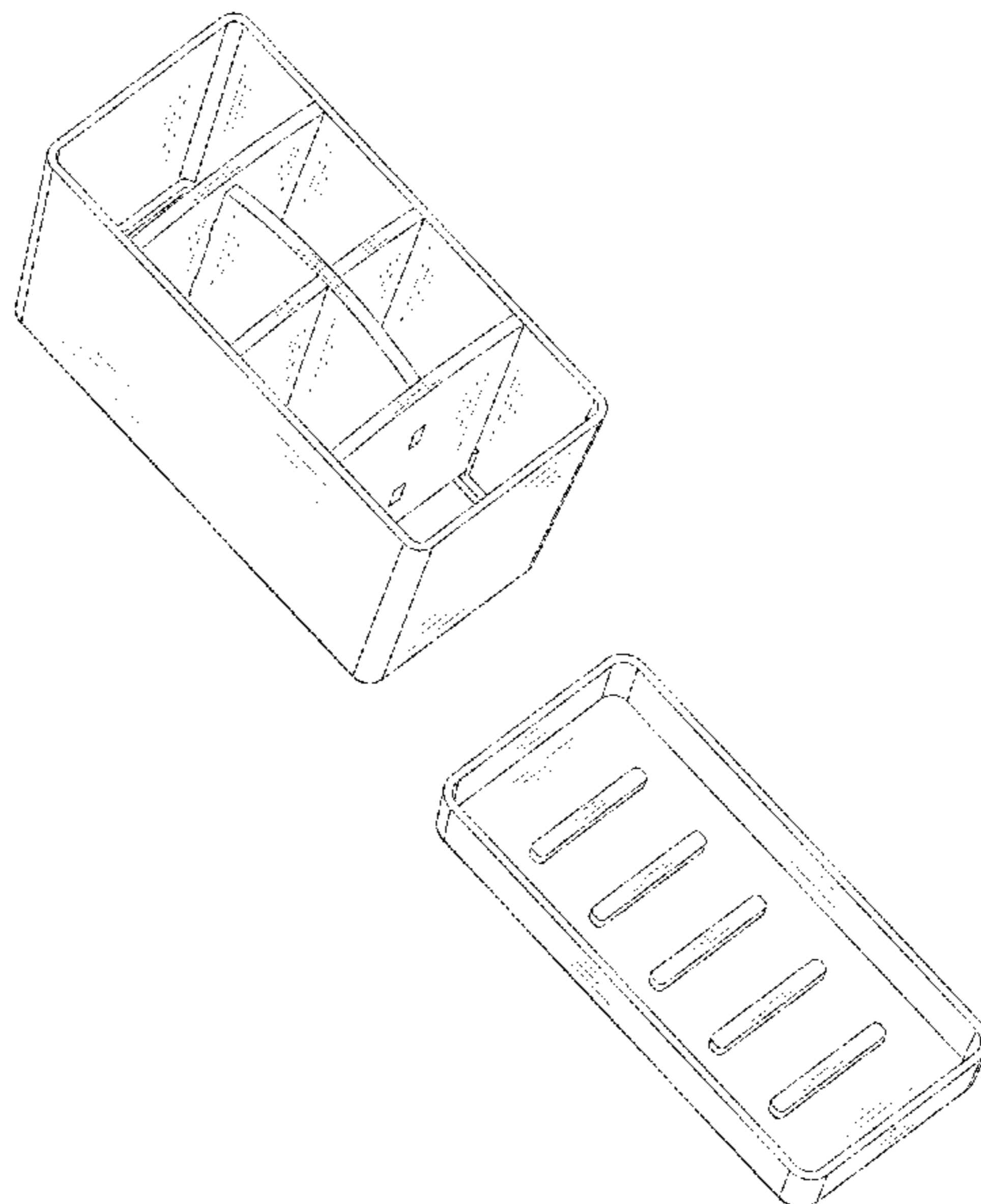
(57) **CLAIM**

The ornamental design for a six-section toothbrush holder with detachable tray, substantially as shown and described.

**DESCRIPTION**

FIG. 1 is a top, front and right side perspective view of a six-section toothbrush holder with detachable tray, showing my new design;  
FIG. 2 is a bottom side perspective view thereof;  
FIG. 3 is a front elevational view thereof;  
FIG. 4 is a back elevational view thereof;  
FIG. 5 is a left elevational view thereof;  
FIG. 6 is a right elevational view thereof;  
FIG. 7 is a top plan view thereof; and,  
FIG. 8 is a bottom plan view thereof.

**1 Claim, 8 Drawing Sheets**



(56)

**References Cited**

U.S. PATENT DOCUMENTS

D878,084 S \* 3/2020 McGarry ..... D6/525  
D948,889 S \* 4/2022 Lin ..... D6/524

\* cited by examiner

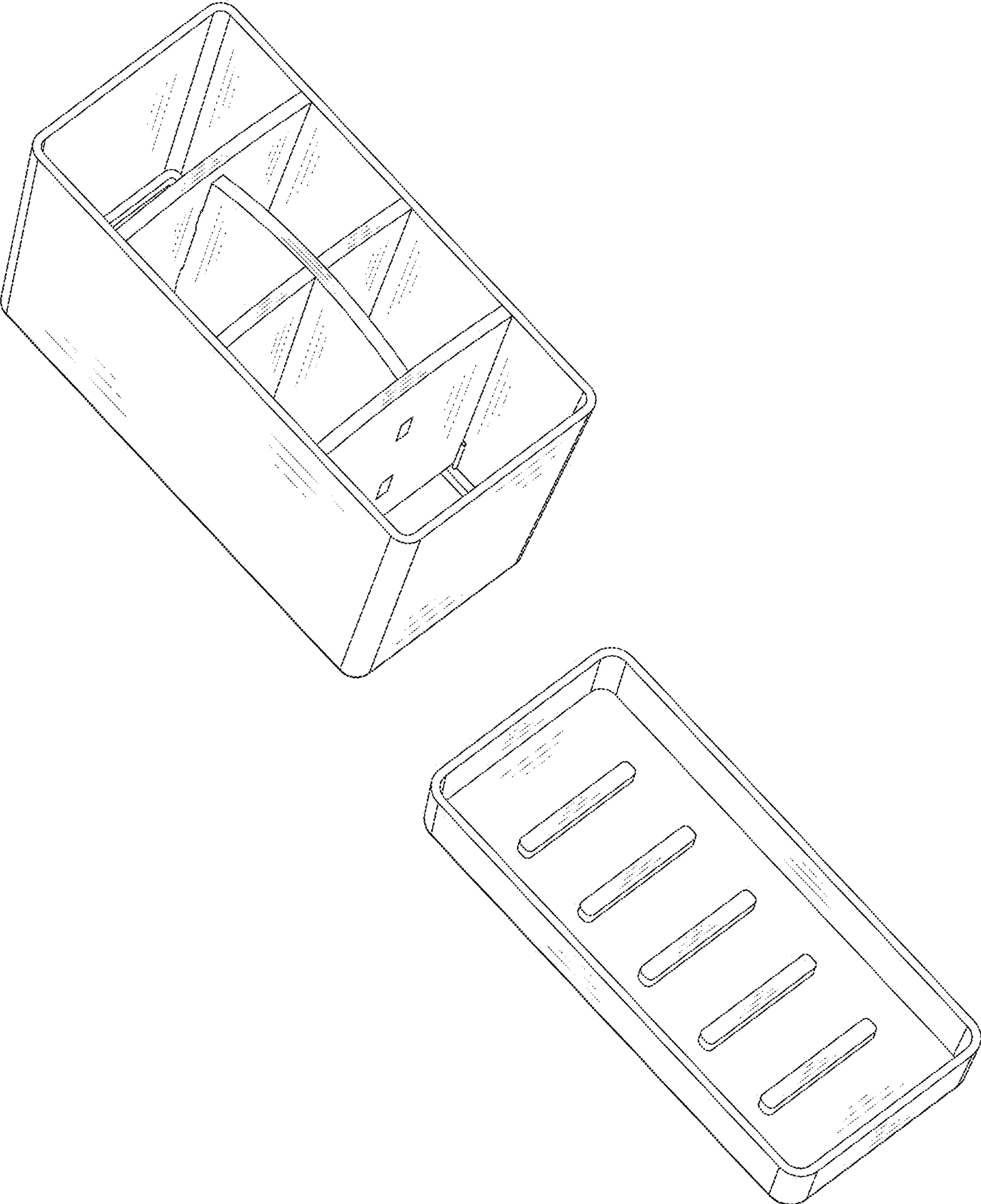


FIG. 1

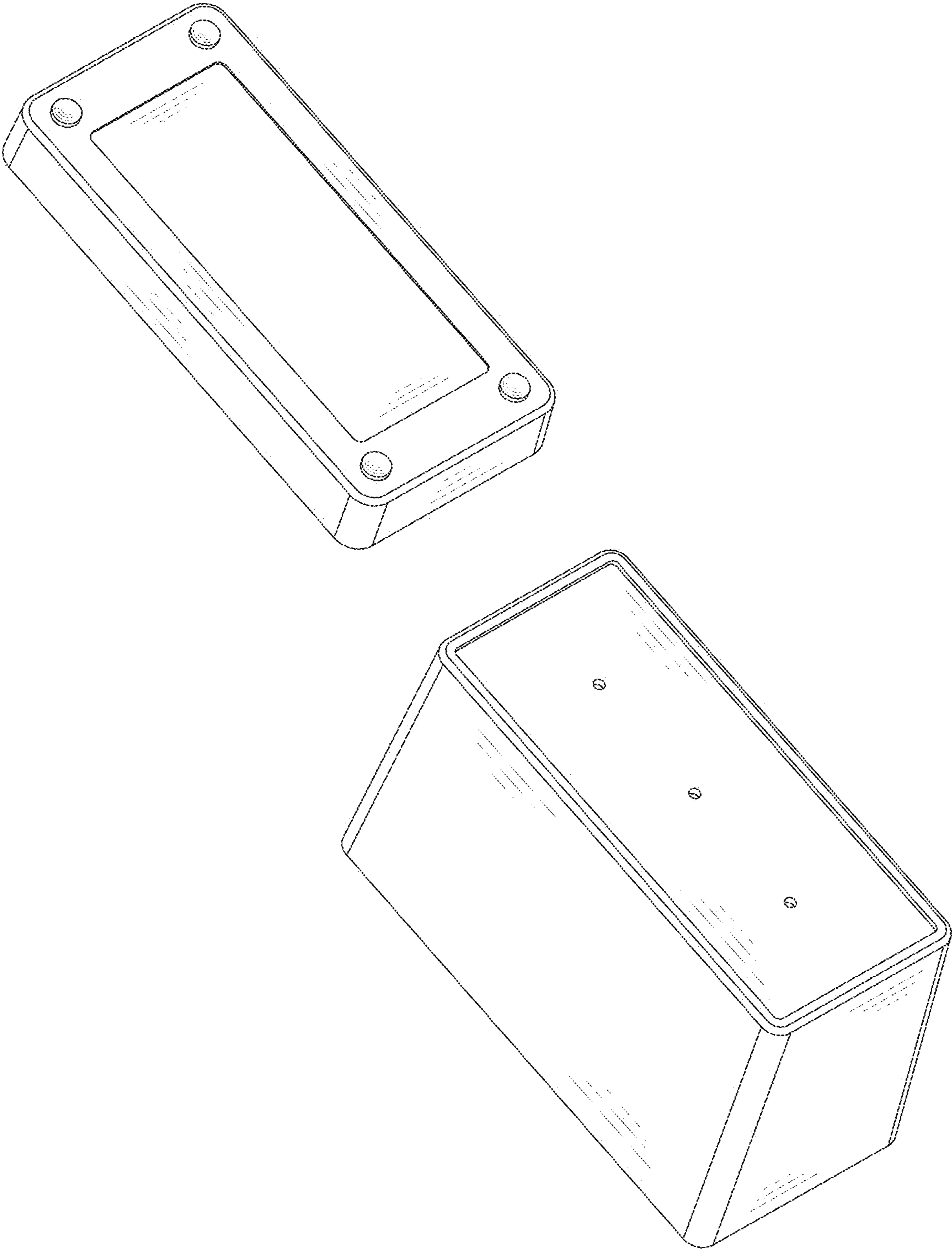


FIG. 2

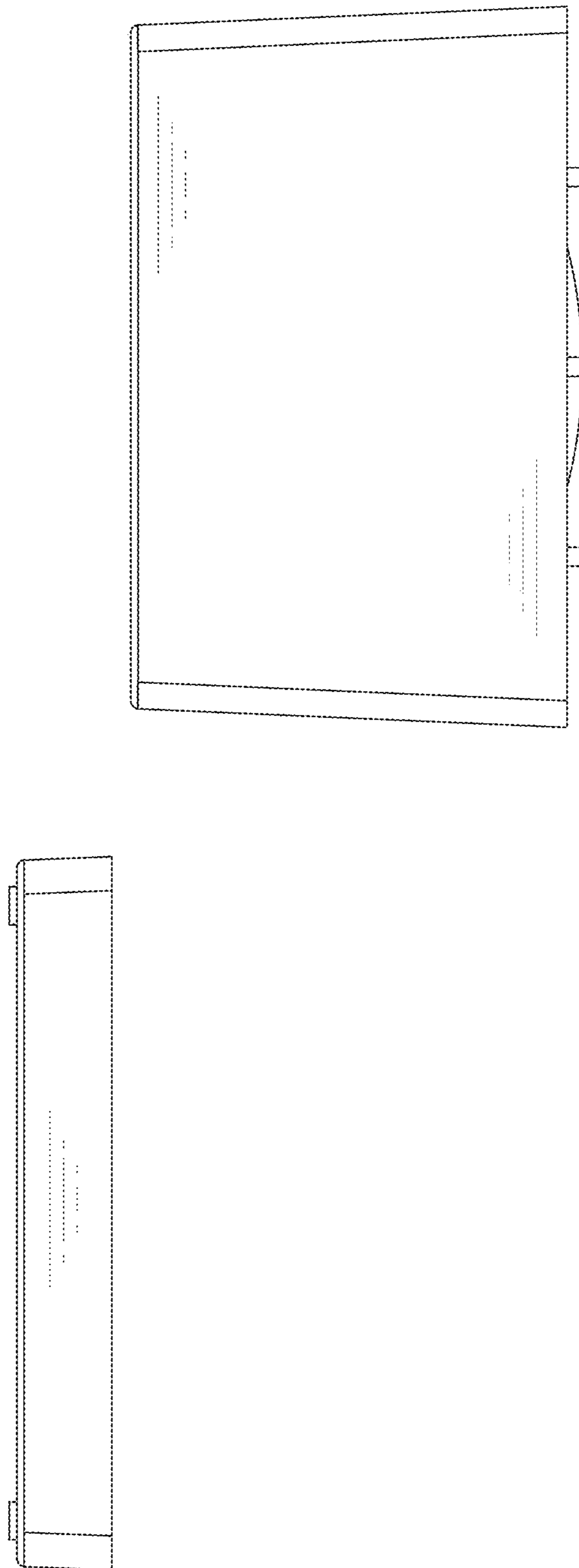


FIG. 3

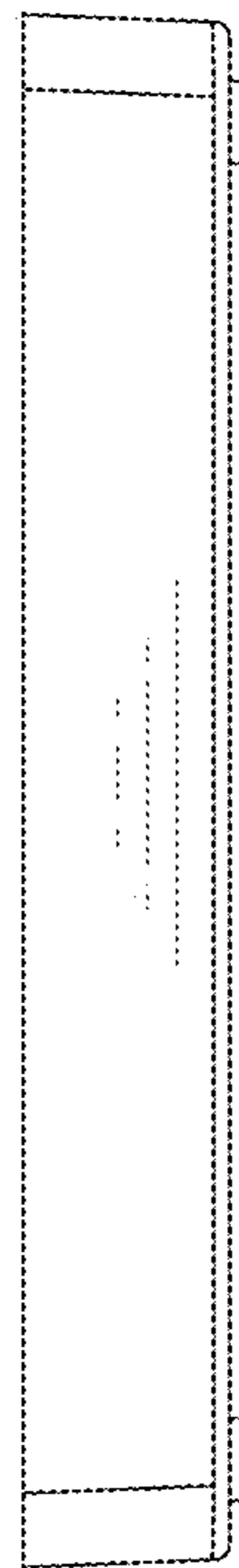
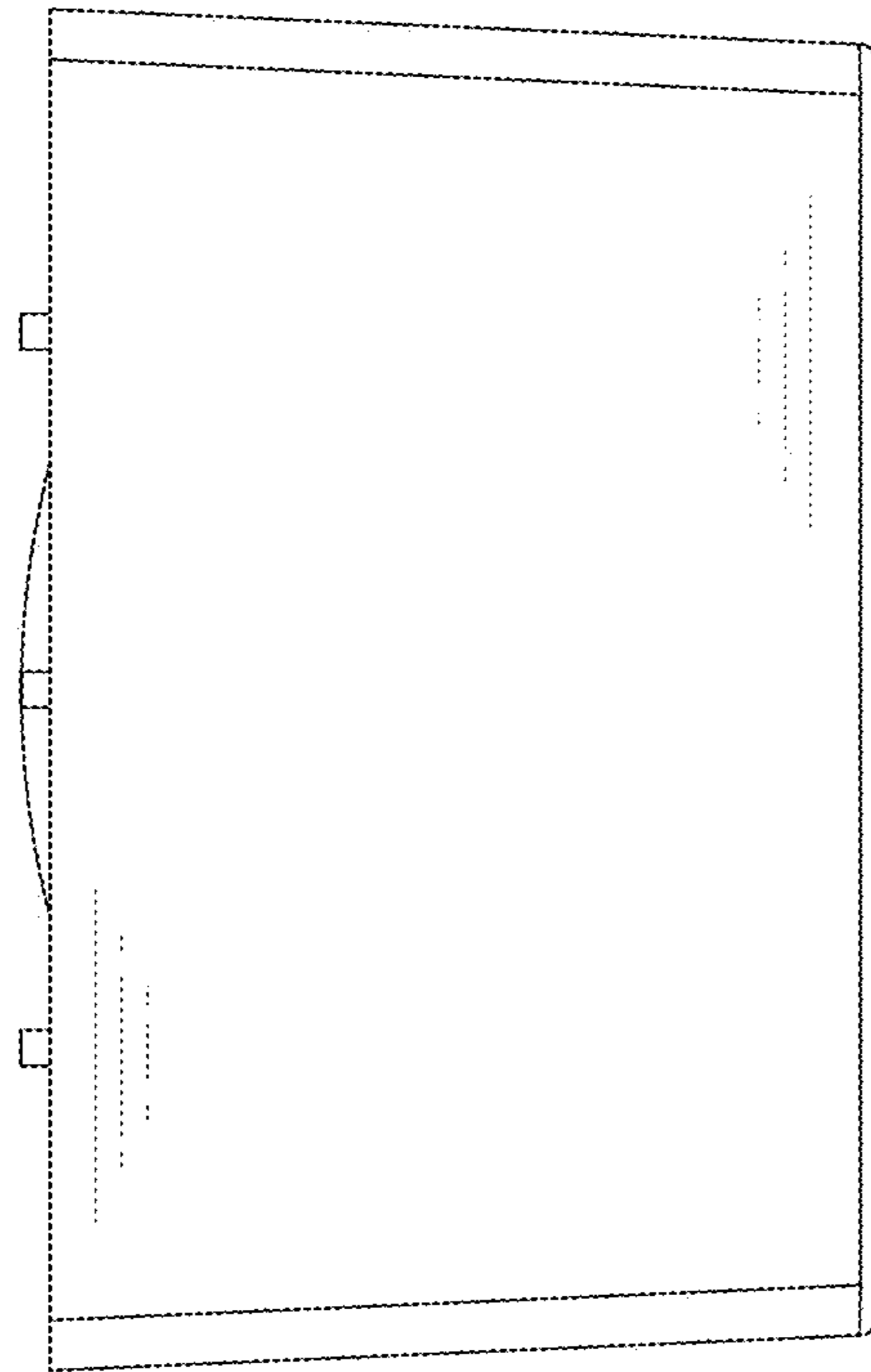


FIG. 4

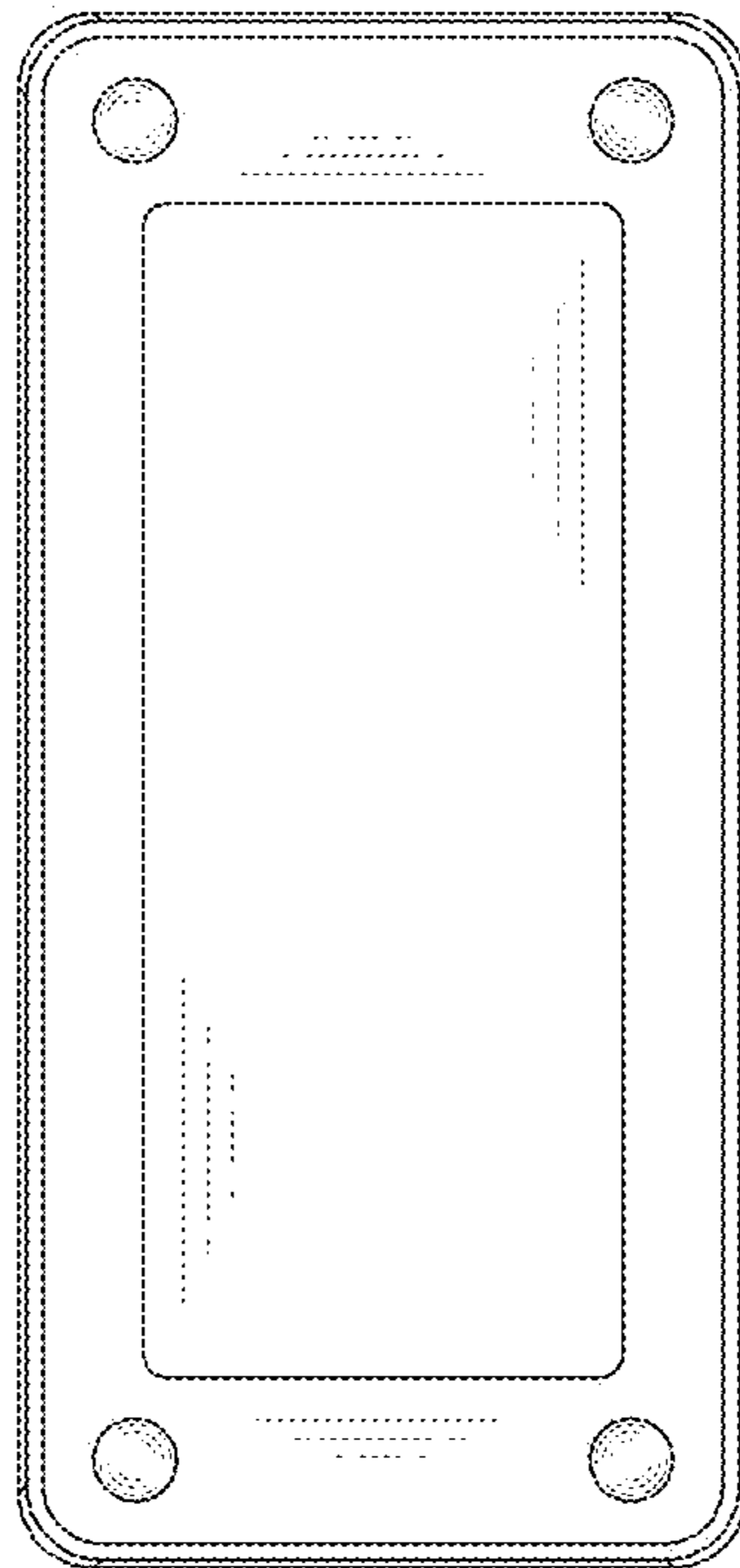
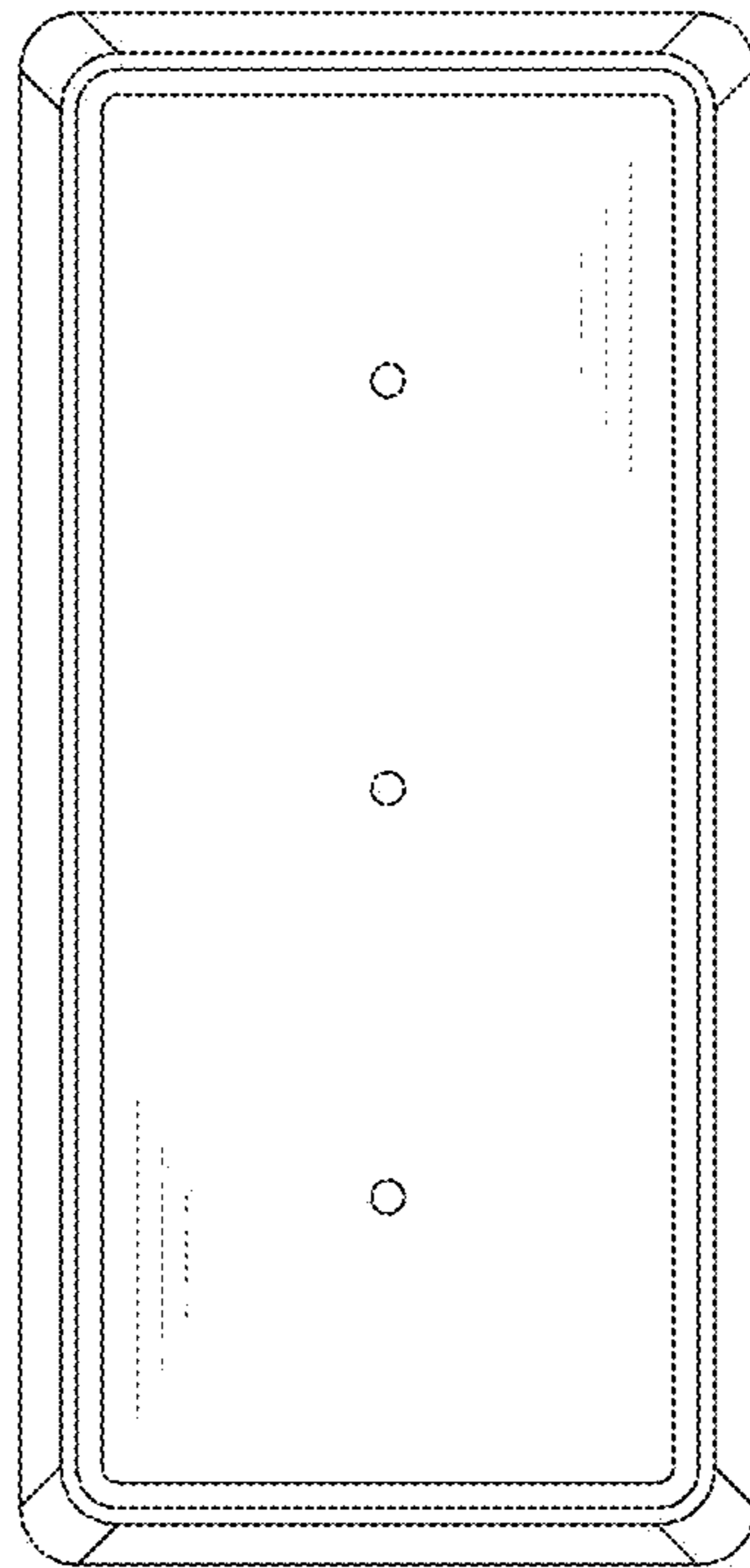


FIG. 5

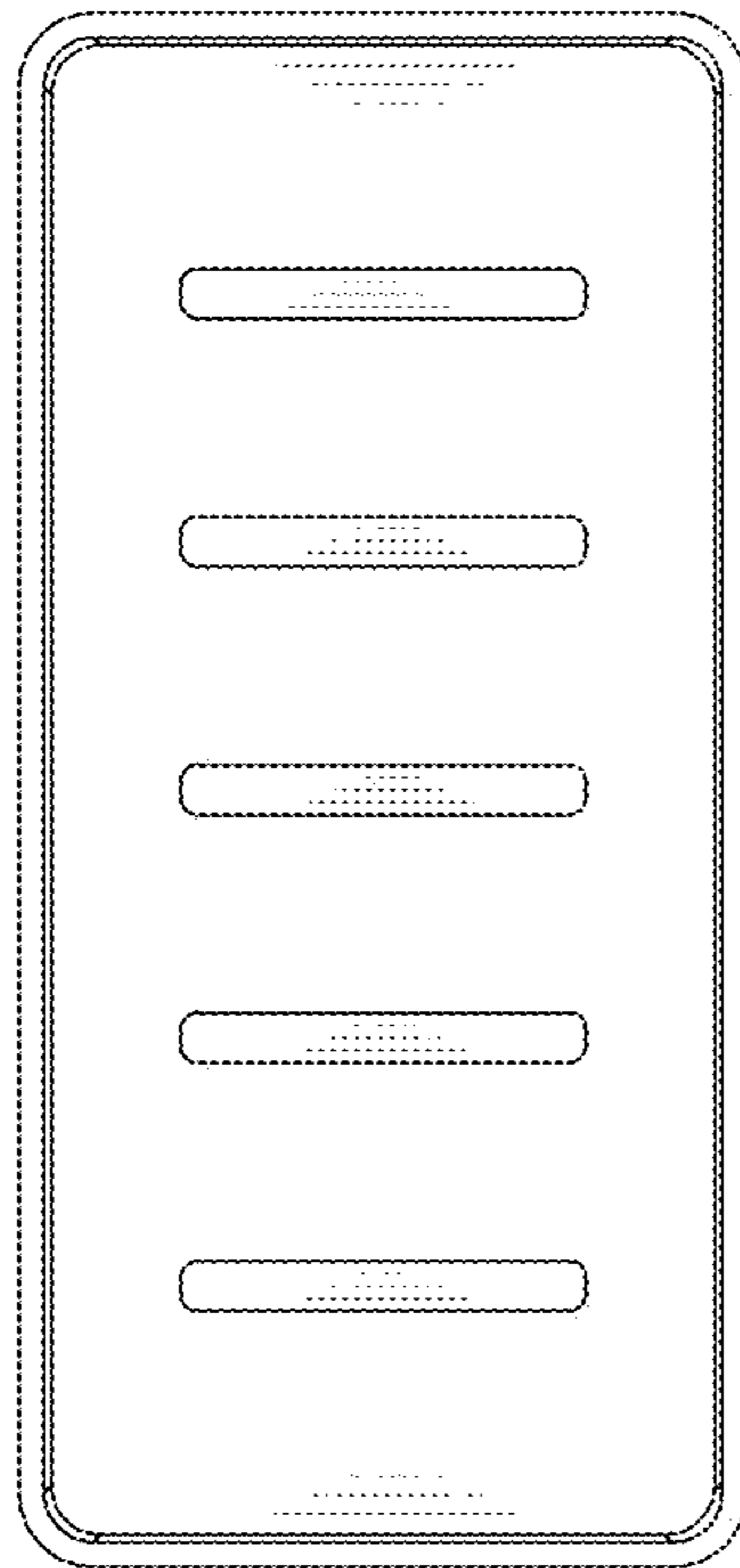
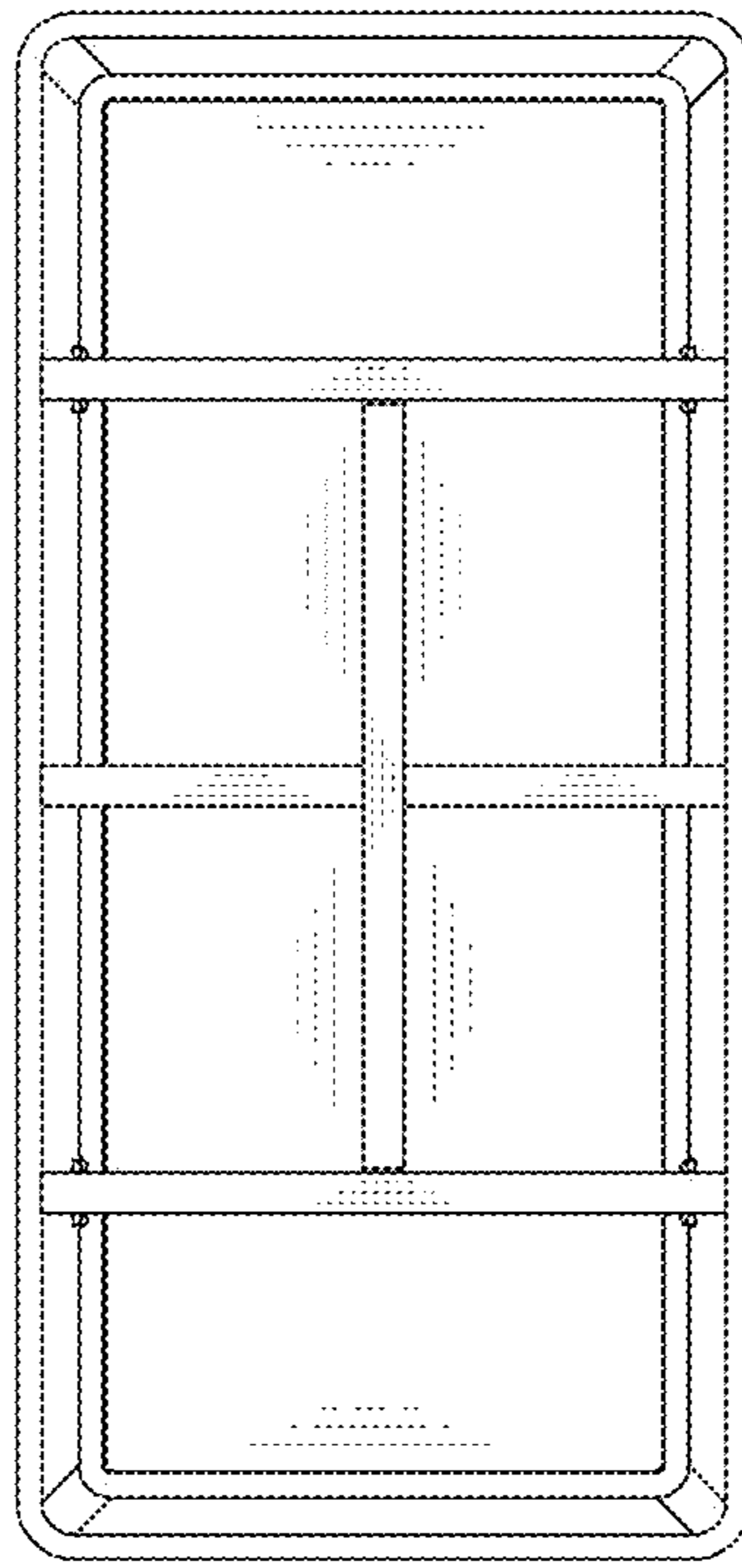


FIG. 6



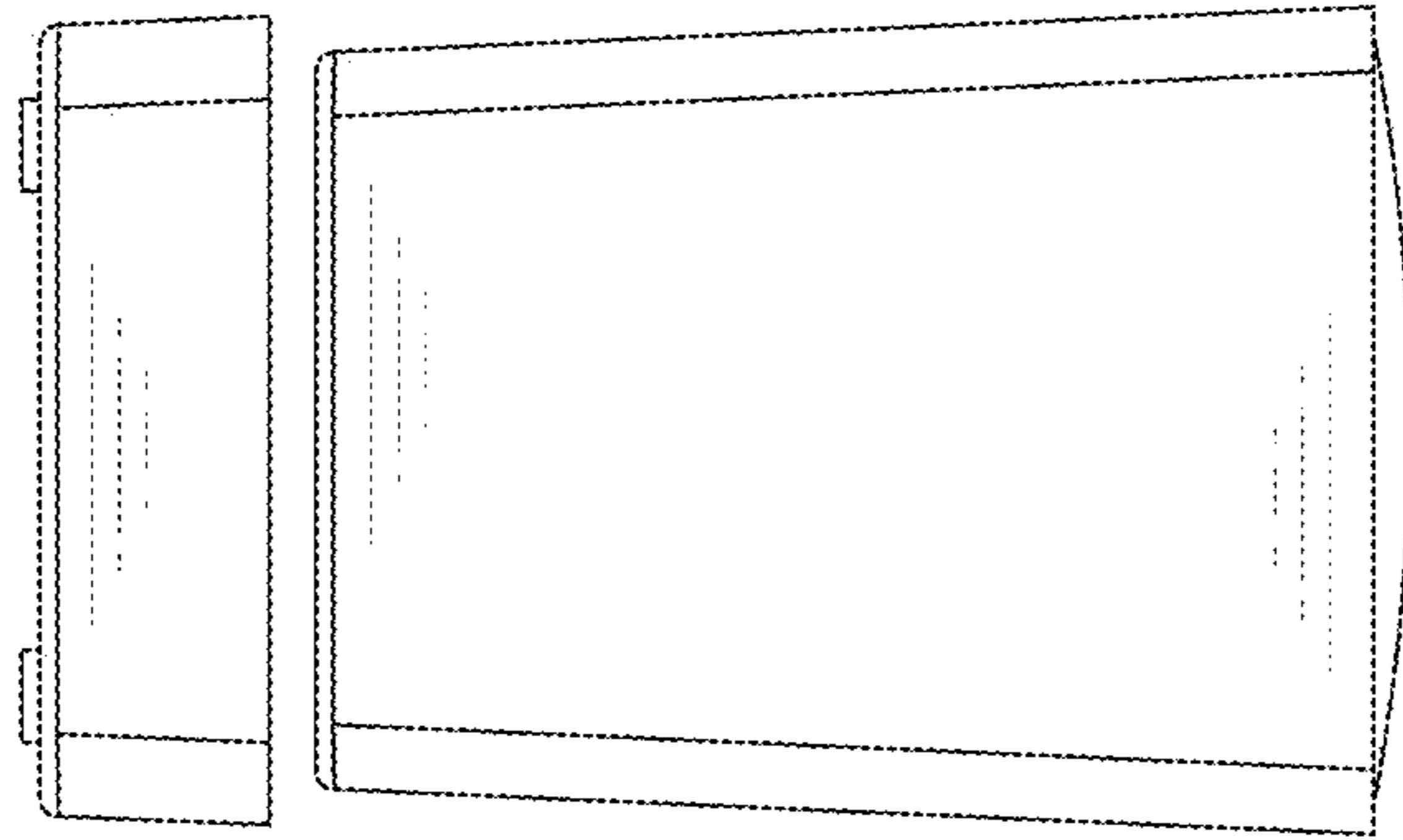


FIG. 7

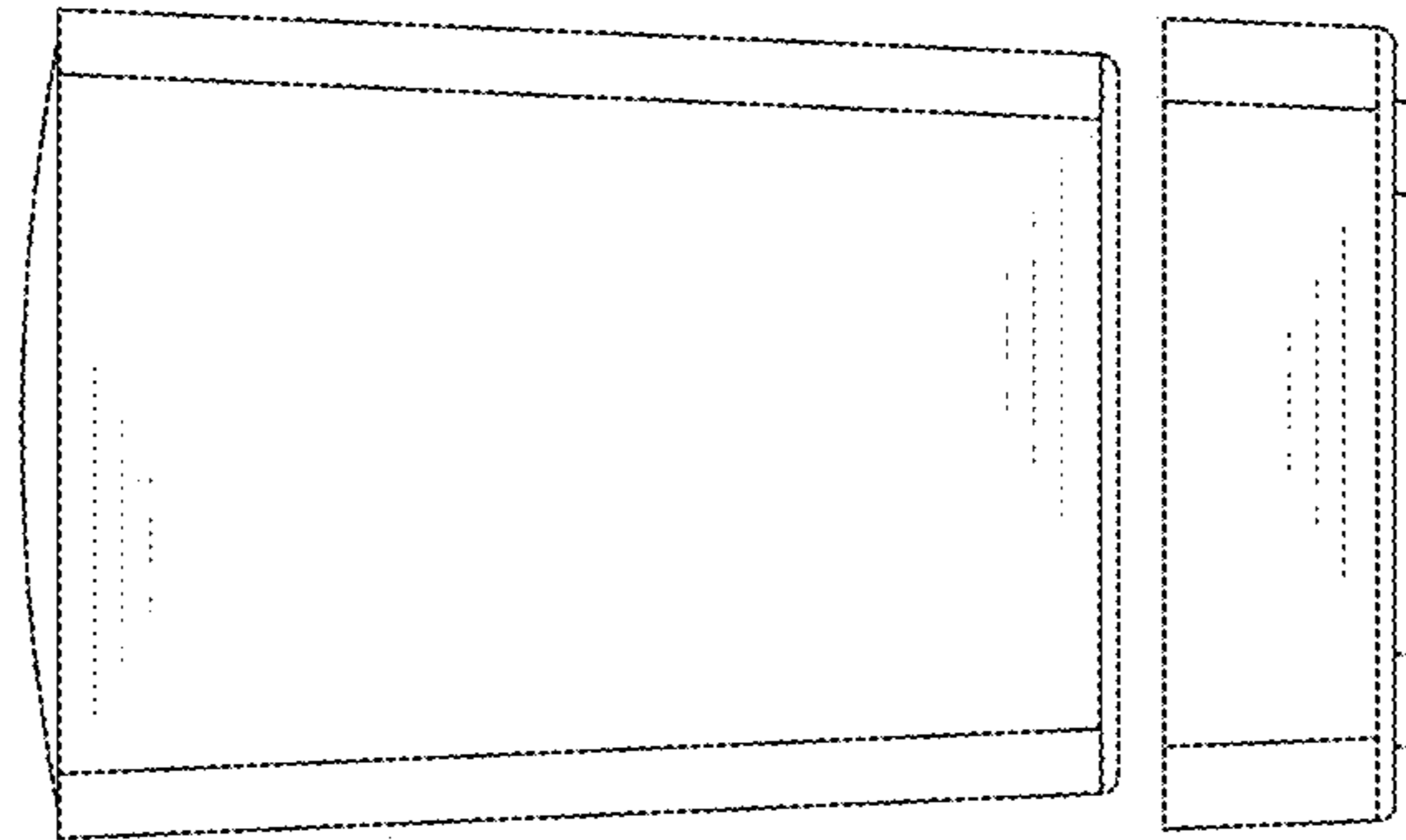


FIG. 8