



US00D988026S

(12) **United States Design Patent**
Chen

(10) **Patent No.:** **US D988,026 S**

(45) **Date of Patent:** **** Jun. 6, 2023**

(54) **THREE-SECTION TOOTHBRUSH HOLDER WITH DETACHABLE TRAY**

(71) Applicant: **Wei Chen**, Fujian (CN)

(72) Inventor: **Wei Chen**, Fujian (CN)

(**) Term: **15 Years**

(21) Appl. No.: **29/849,556**

(22) Filed: **Aug. 11, 2022**

(51) **LOC (14) Cl.** **23-02**

(52) **U.S. Cl.**
USPC **D6/534**

(58) **Field of Classification Search**

USPC D6/512, 513, 524, 525, 526, 528, 531,
D6/532, 534, 535, 536, 540, 553, 566;
D32/52, 55; D34/7; 211/13.1, 71.01, 74,
211/75, 86.01, 126.1, 133.5, 134, 181.1

CPC A47K 17/00; A47K 3/281; A47K 3/001;
A47K 3/004; A47K 5/00; A47K 5/03;
B23P 17/04; A47B 57/265; A47B 57/565;
A47B 57/26; A47J 47/16; A47J 47/201

See application file for complete search history.

(56) **References Cited**

U.S. PATENT DOCUMENTS

1,561,432	A *	11/1925	Hitchcock	A47K 5/02	D6/540
D158,138	S *	4/1950	Simpson	D6/540	
4,834,262	A *	5/1989	Reed	B65F 1/004	220/23.6
D319,519	S *	8/1991	Keir	D34/1	
D333,026	S *	2/1993	Befus	D34/7	
D335,730	S *	5/1993	Tessner	D34/1	
D341,973	S *	12/1993	Gerstmar	D6/524	
D347,923	S *	6/1994	Martin	D34/1	
6,135,279	A *	10/2000	Dryer	A46B 17/06	206/362.1
D462,553	S *	9/2002	Gerstmar	D6/528	

D475,563	S *	6/2003	Gerstmar	D6/531	
D500,221	S	12/2004	Merkel			
D567,558	S *	4/2008	Rubin	D6/534	
D580,613	S *	11/2008	Yang	D34/7	
D582,120	S *	12/2008	Snell	D32/55	
D651,436	S *	1/2012	Volk	D6/534	
D657,986	S	4/2012	Climer			
D702,963	S *	4/2014	Chavis	D6/513	
D714,572	S *	10/2014	DeChristofaro	D6/528	
D757,385	S *	5/2016	Peake-Atkins	D34/7	
D816,933	S *	5/2018	Klipshtein	D32/55	
D826,594	S *	8/2018	Joseph	D6/528	
D827,329	S *	9/2018	Joseph	D6/528	
D833,699	S *	11/2018	Serrahima	D32/55	
D851,423	S *	6/2019	Li	D6/534	
D878,084	S *	3/2020	McGarry	D6/525	

(Continued)

OTHER PUBLICATIONS

Amazon.com, Kids Electric Toothbrush Holdrs for Bathrooms Counter Plastic Toothbrush Organizer, Jul. 23, 2022, <https://www.amazon.com/dp/B0B7D9QHJF/> (Year: 2022).*

Primary Examiner — Nathan M Johnston

(57) **CLAIM**

The ornamental design for a three-section toothbrush holder with detachable tray, substantially as shown and described.

DESCRIPTION

FIG. 1 is a top, front and right side perspective view of a three-section toothbrush holder with detachable tray, showing my new design;

FIG. 2 is a bottom side perspective view thereof;

FIG. 3 is a front elevational view thereof;

FIG. 4 is a back elevational view thereof;

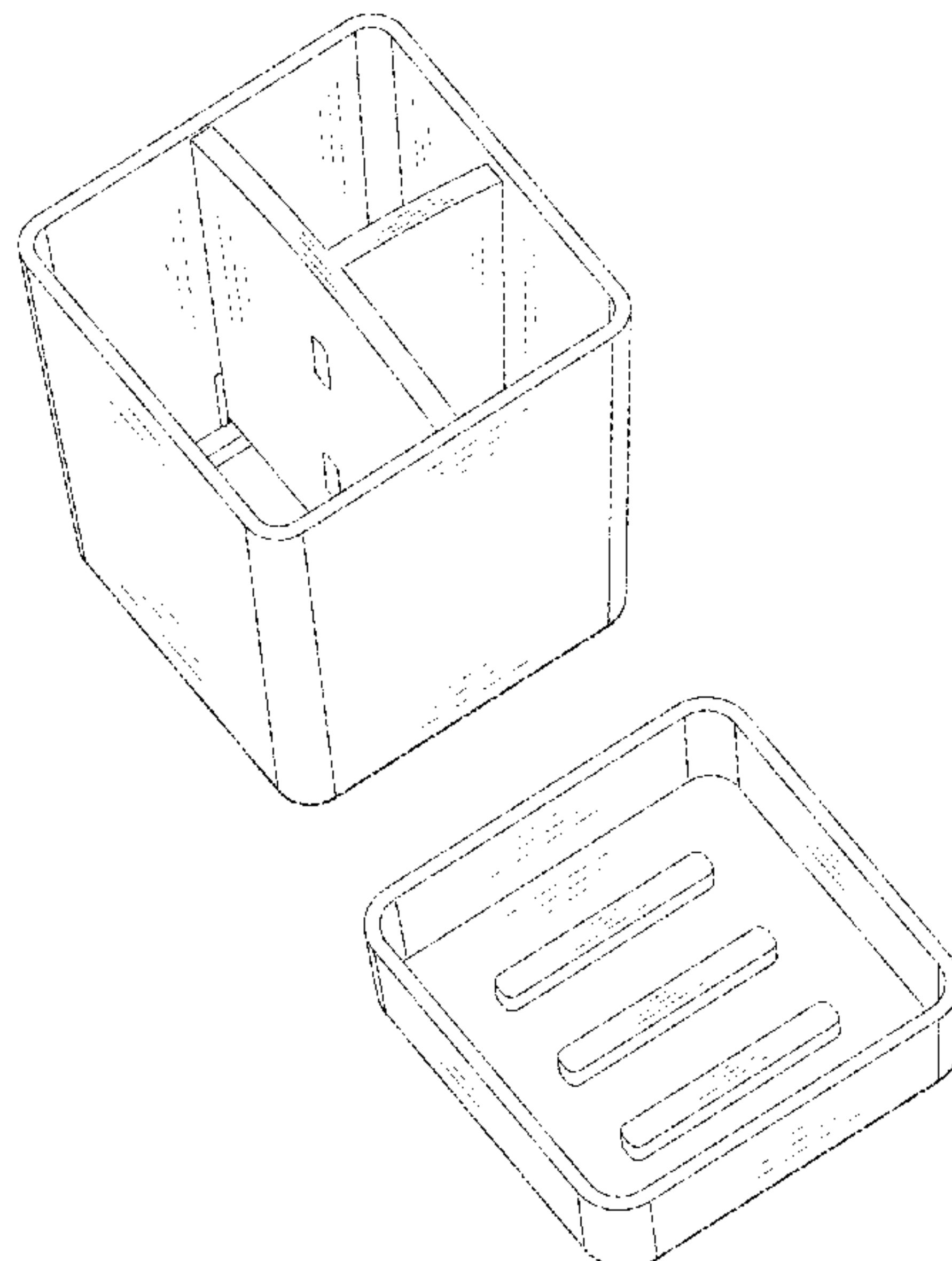
FIG. 5 is a left elevational view thereof;

FIG. 6 is a right elevational view thereof;

FIG. 7 is a top plan view thereof; and,

FIG. 8 is a bottom plan view thereof.

1 Claim, 8 Drawing Sheets



(56)

References Cited

U.S. PATENT DOCUMENTS

D948,889 S * 4/2022 Lin D6/524
D968,740 S * 11/2022 Koss D32/55

* cited by examiner

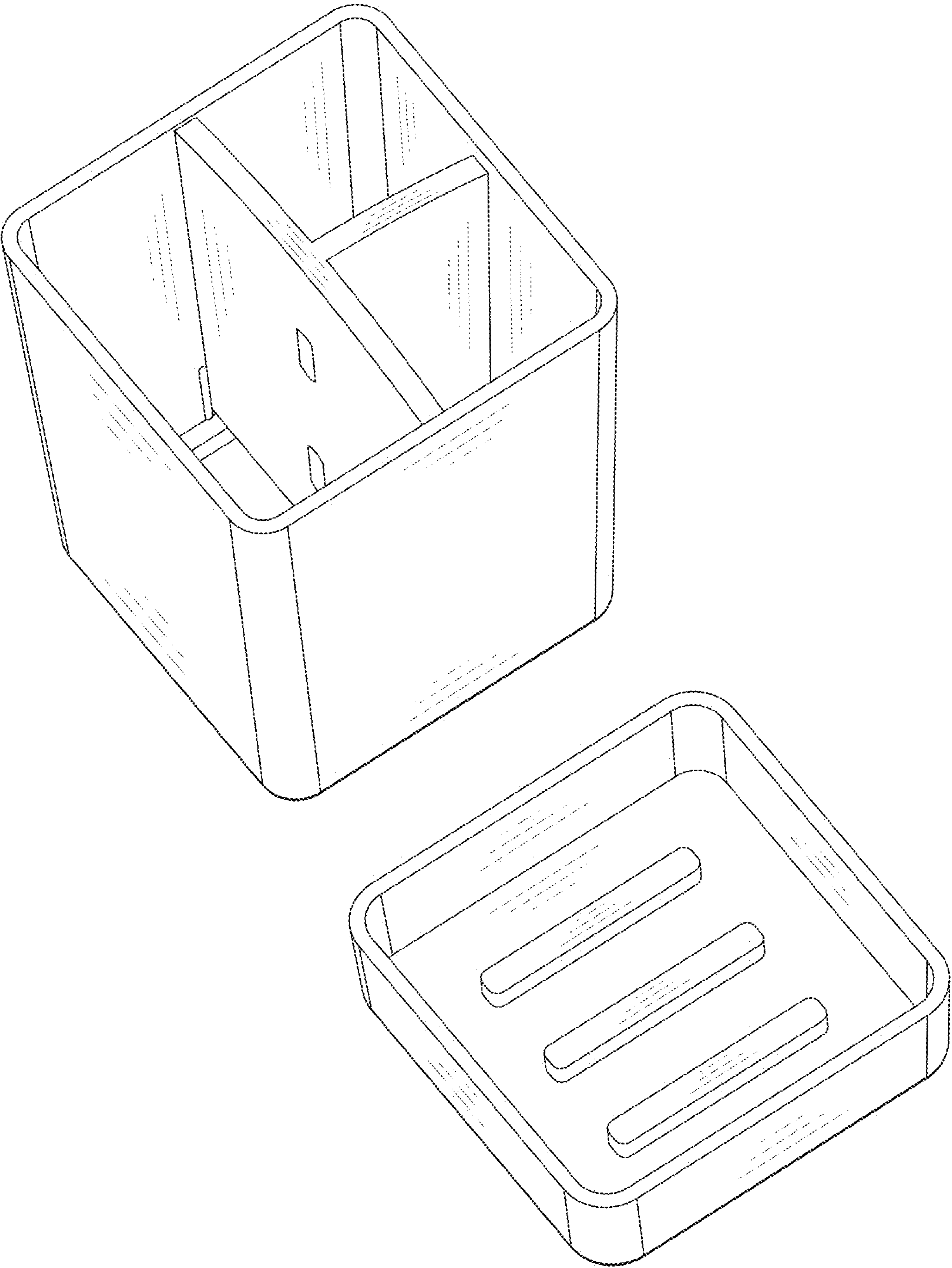


FIG. 1

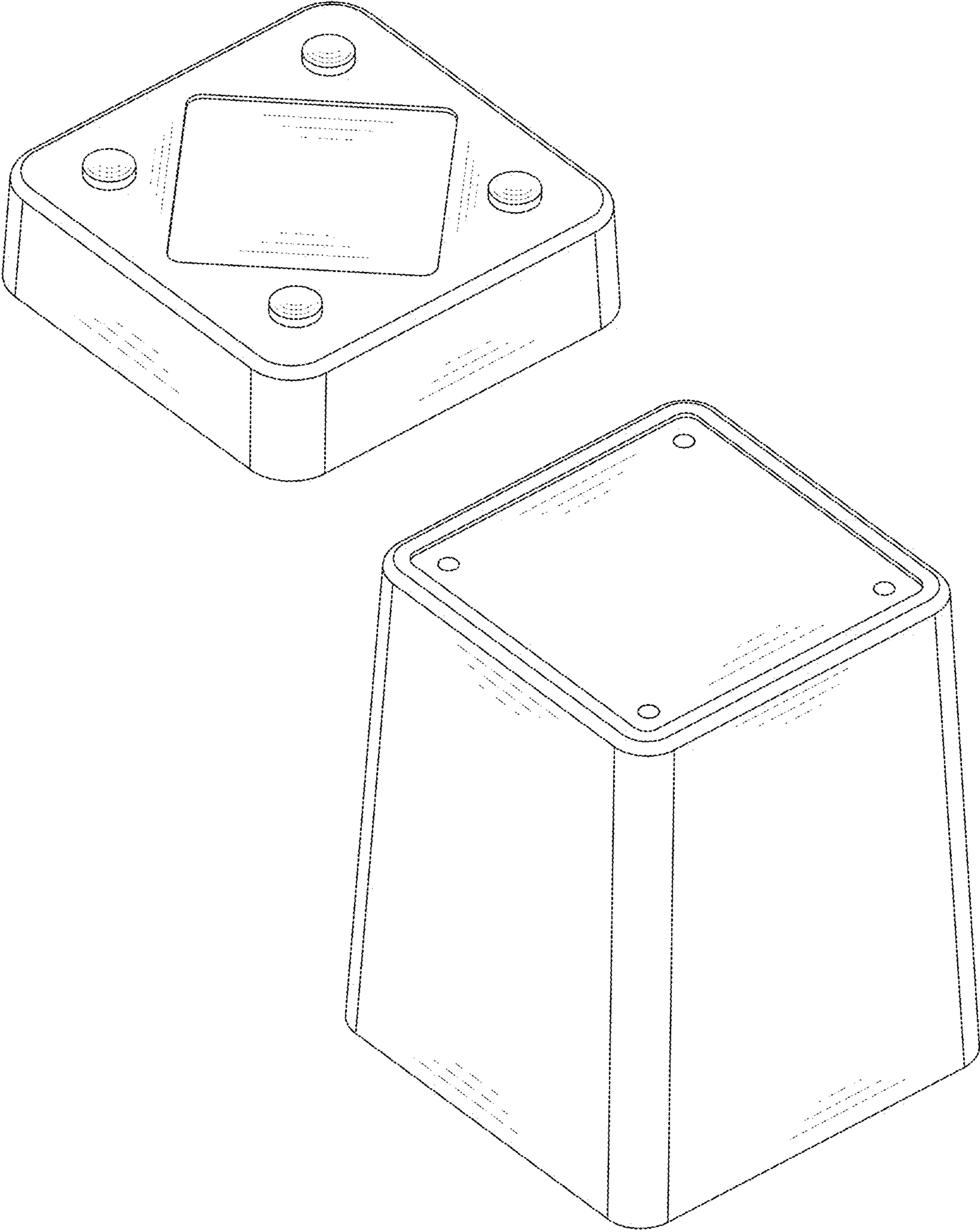


FIG. 2

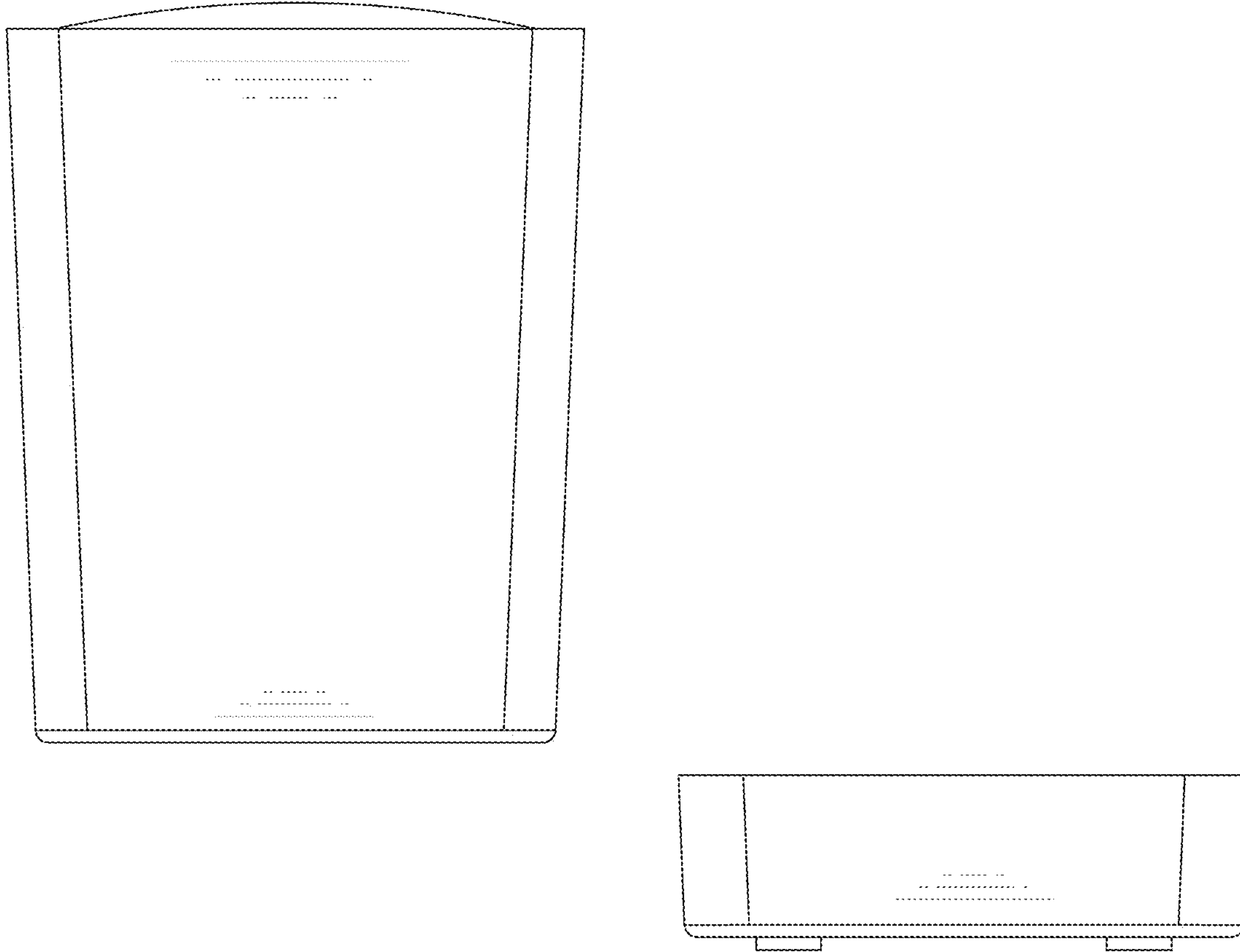


FIG. 3

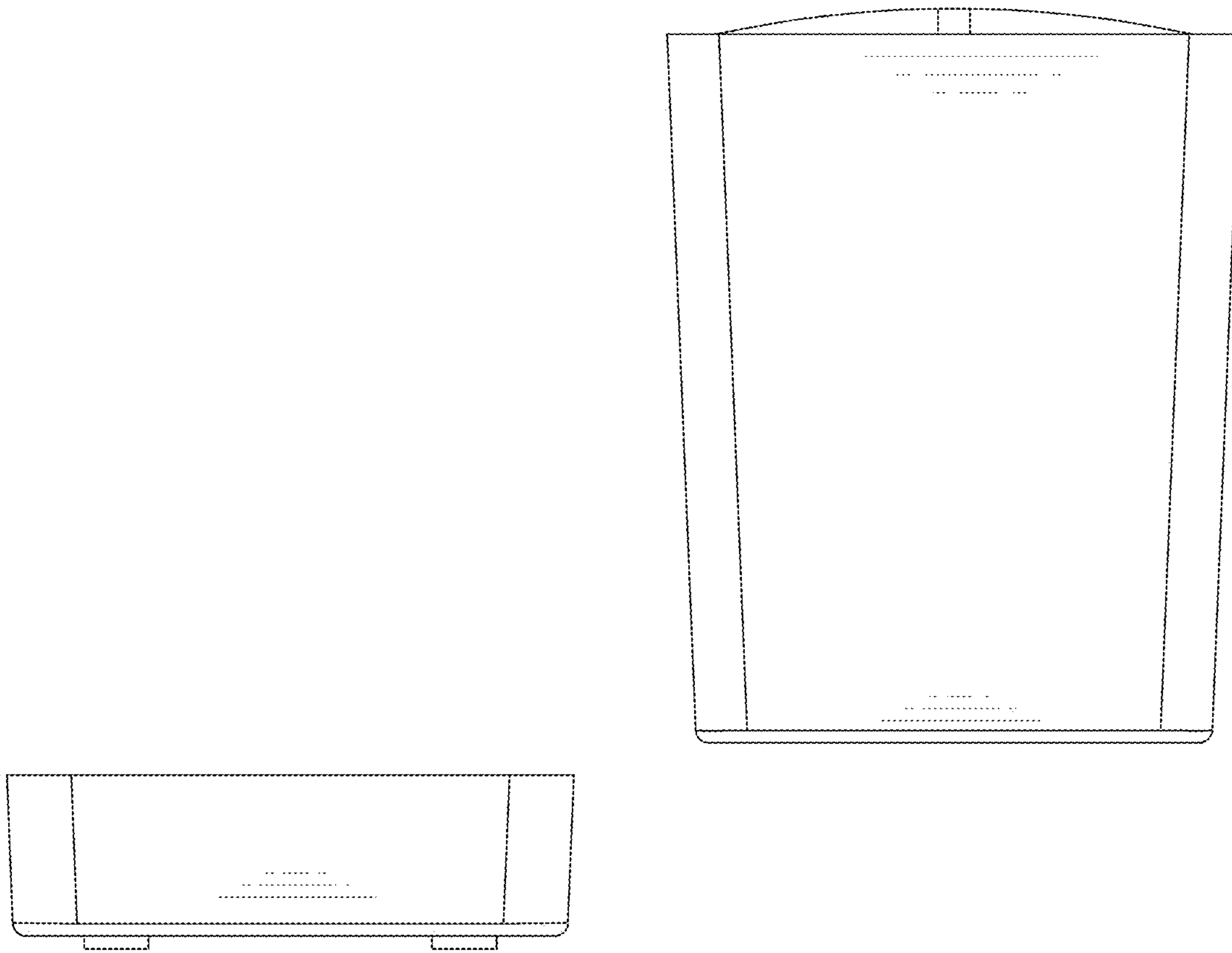


FIG. 4

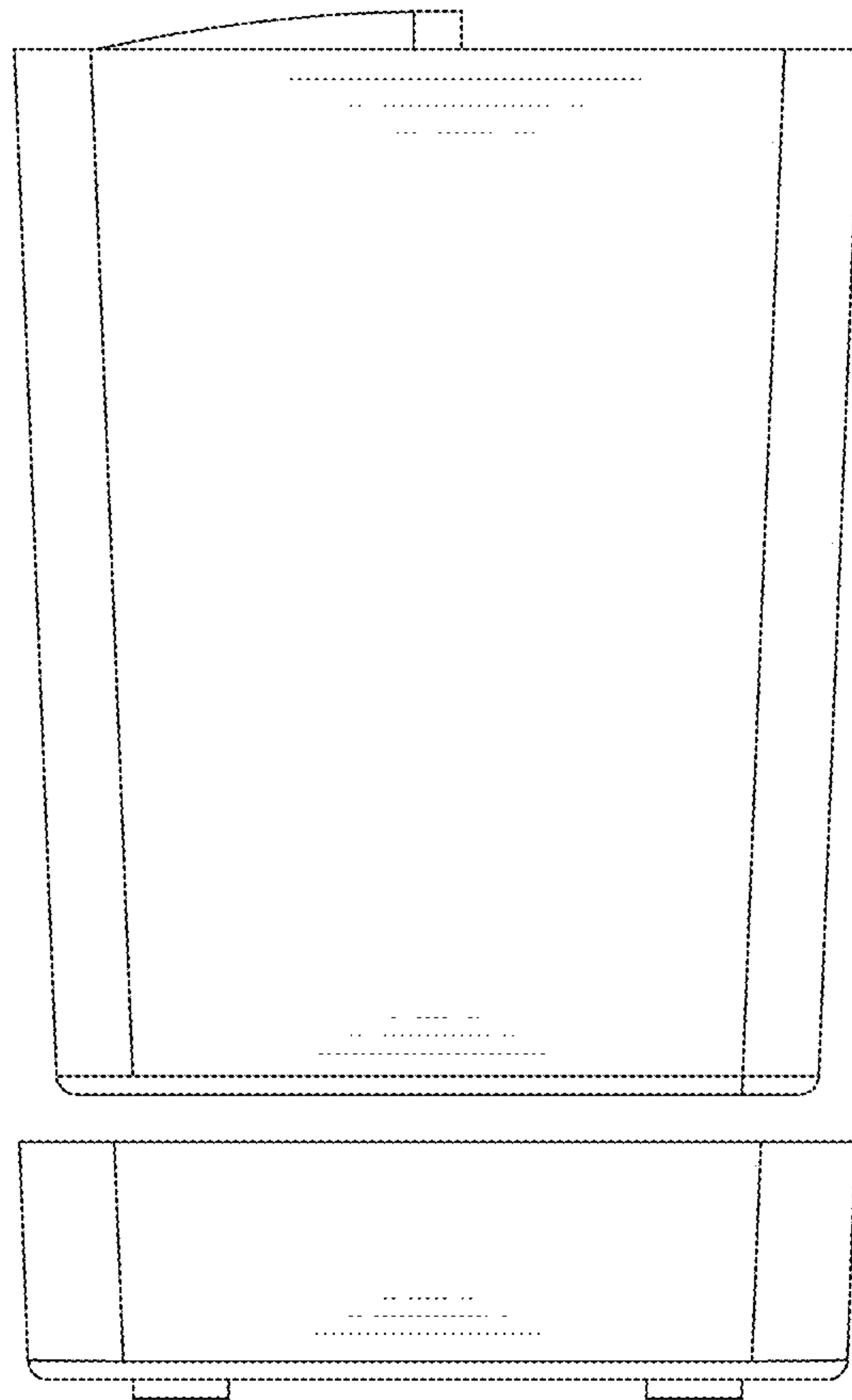


FIG. 5

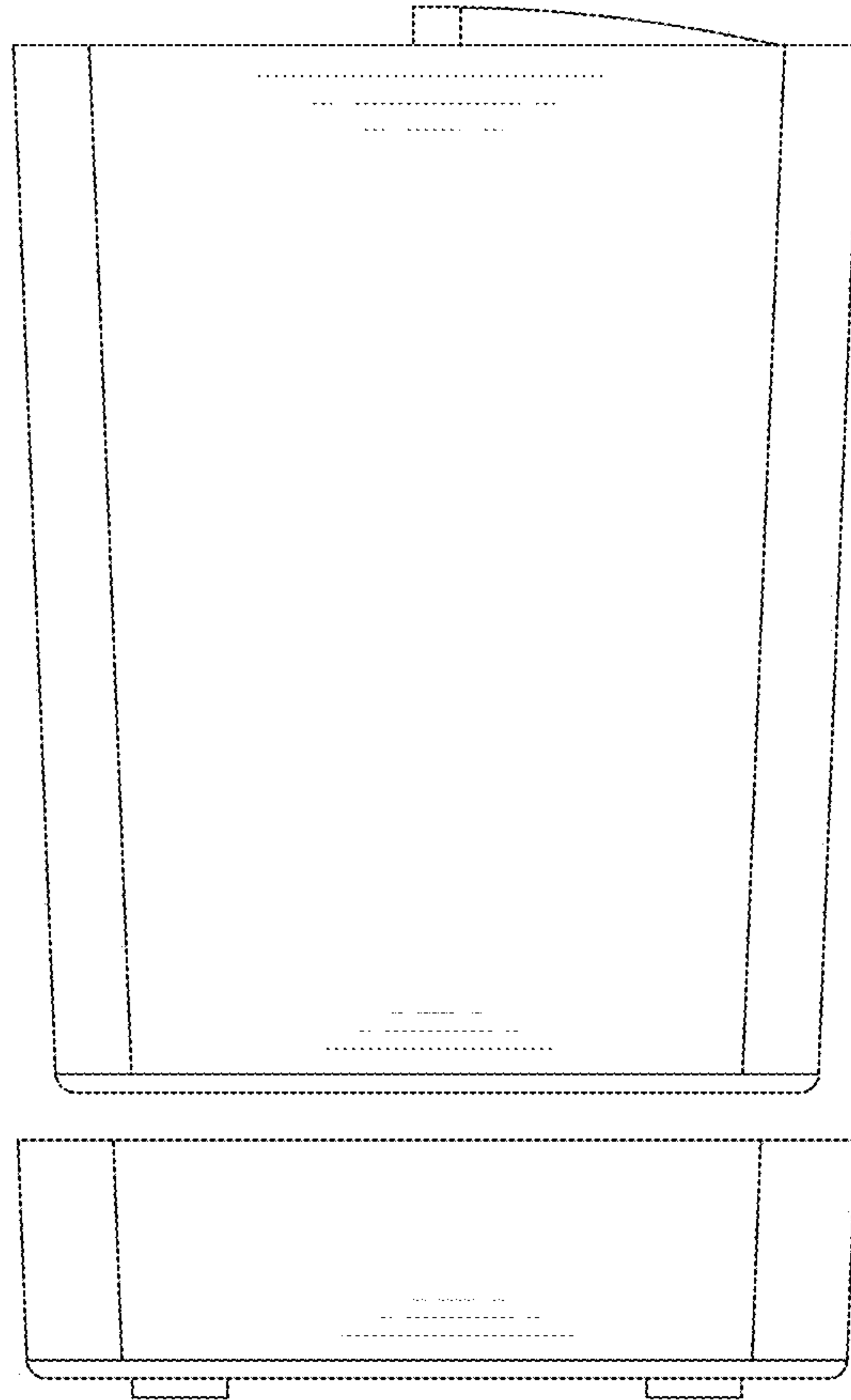


FIG. 6

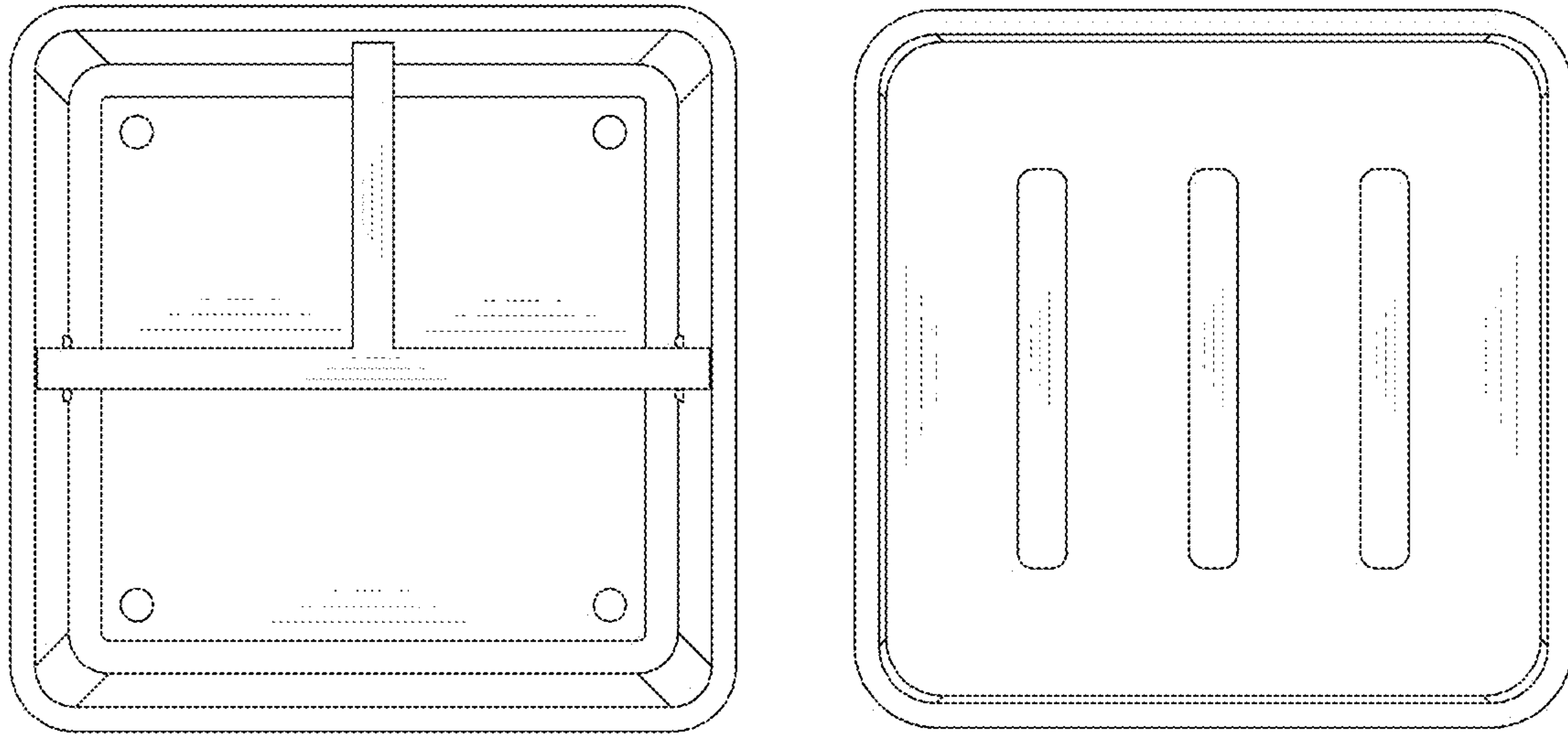


FIG. 7

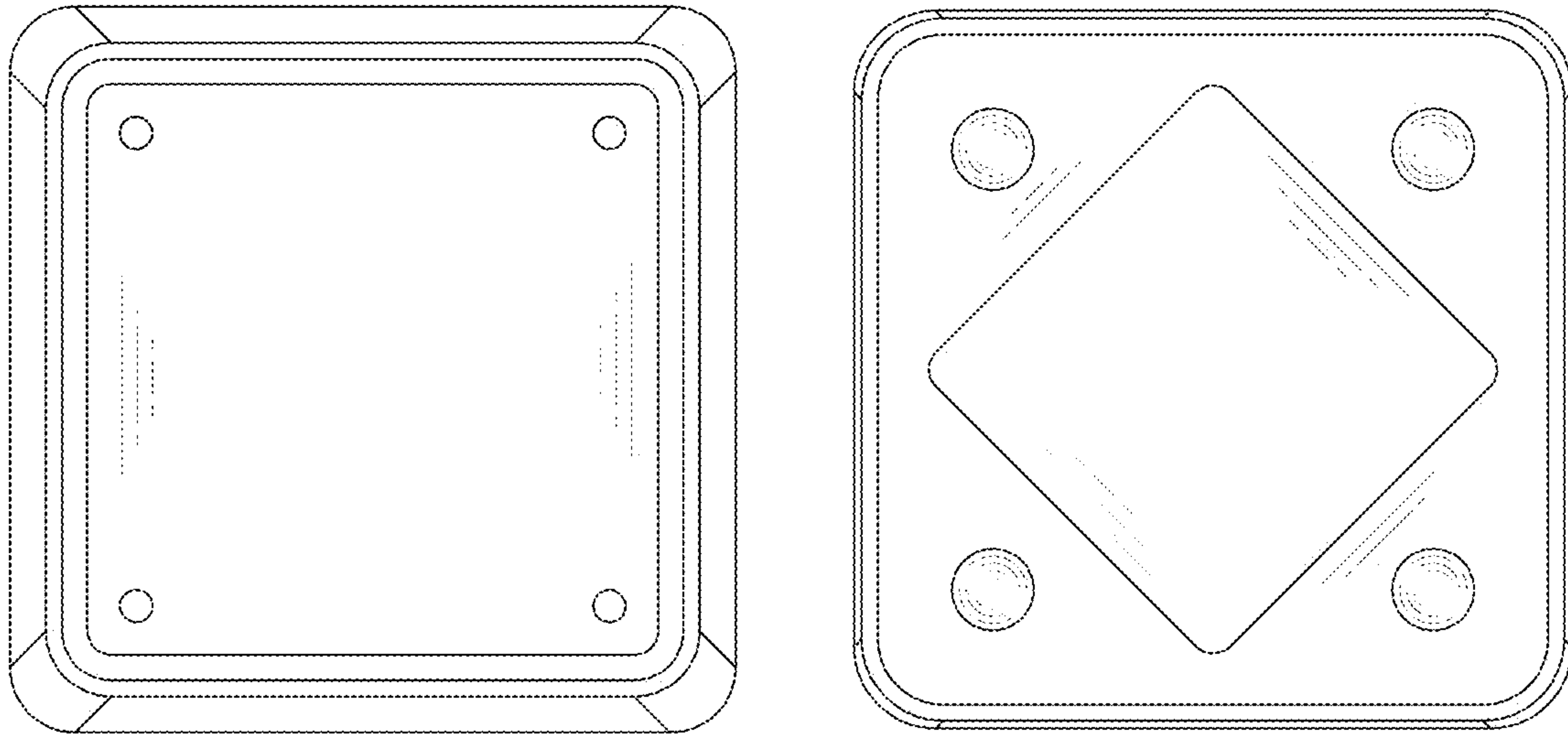


FIG. 8