



US00D988023S

(12) **United States Design Patent**
Han

(10) **Patent No.:** **US D988,023 S**

(45) **Date of Patent:** **** Jun. 6, 2023**

(54) **ARMCHAIR**

(71) Applicant: **Rihui Han**, Fujian (CN)

(72) Inventor: **Rihui Han**, Fujian (CN)

(**) Term: **15 Years**

(21) Appl. No.: **29/886,494**

(22) Filed: **Mar. 9, 2023**

(30) **Foreign Application Priority Data**

Jan. 19, 2023 (CN) 202330028941.6

(51) **LOC (14) Cl.** **06-01**

(52) **U.S. Cl.**
USPC **D6/373**

(58) **Field of Classification Search**
USPC D6/364, 373, 374, 375, 379, 380, 381
CPC A47C 1/02; A47C 11/00; A47C 15/004;
A47C 17/02
See application file for complete search history.

(56) **References Cited**

U.S. PATENT DOCUMENTS

D144,719 S *	5/1946	King et al.	D6/373
D266,038 S *	9/1982	Raftery	D6/373
D316,336 S *	4/1991	Frinier	D6/374
D343,963 S *	2/1994	Hess	D6/373
5,318,348 A *	6/1994	Hess	A47C 31/023
				297/440.11
D366,573 S *	1/1996	Hess	D6/373

D369,494 S *	5/1996	George	D6/373
D396,360 S *	7/1998	Zimmermann	D6/381
D527,195 S *	8/2006	Clement	D6/373
D542,552 S	5/2007	Massaud		
D821,111 S *	6/2018	Scallions	D6/373
D867,007 S *	11/2019	Lievore	D6/373
D896,542 S *	9/2020	Pires Junior	D6/375
D968,114 S	11/2022	Lopez Aguilo		
D980,639 S *	3/2023	Li	D6/375

* cited by examiner

Primary Examiner — R. Johnson

(74) *Attorney, Agent, or Firm* — Kunzler Bean & Adamson, PC; Michael Bartholomew

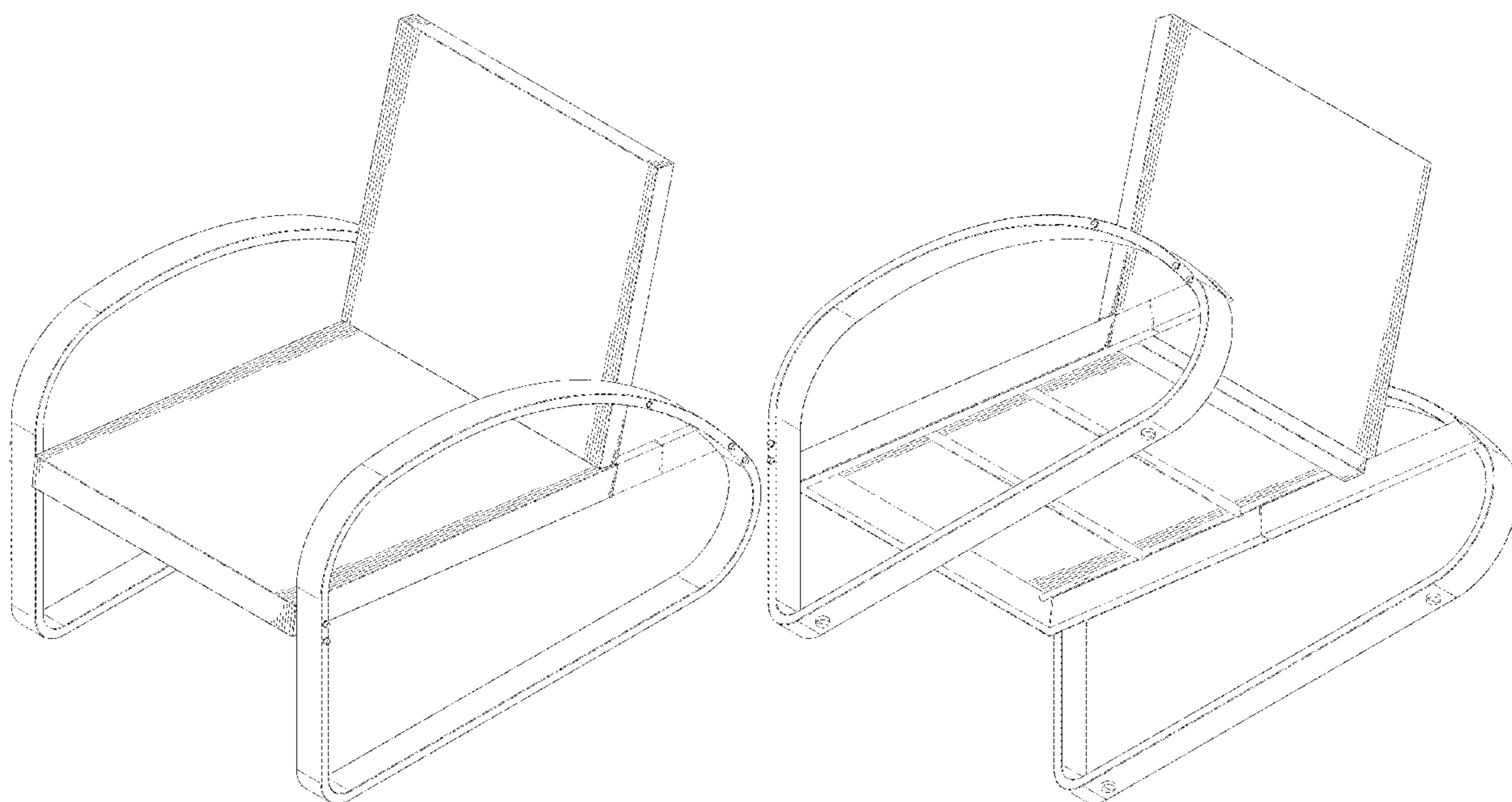
(57) **CLAIM**

The ornamental design for an armchair, as shown and described.

DESCRIPTION

FIG. 1 is a front, right and top perspective view of an armchair, showing my design.
FIG. 2 is a rear, right and bottom perspective view thereof.
FIG. 3 is a front elevation view thereof.
FIG. 4 is a rear elevation view thereof.
FIG. 5 is a left side elevation view thereof.
FIG. 6 is a right side elevation view thereof.
FIG. 7 is a top plan view thereof; and,
FIG. 8 is a bottom plan view thereof.
The broken lines depict portions of the armchair that form no part of the claimed design.

1 Claim, 8 Drawing Sheets



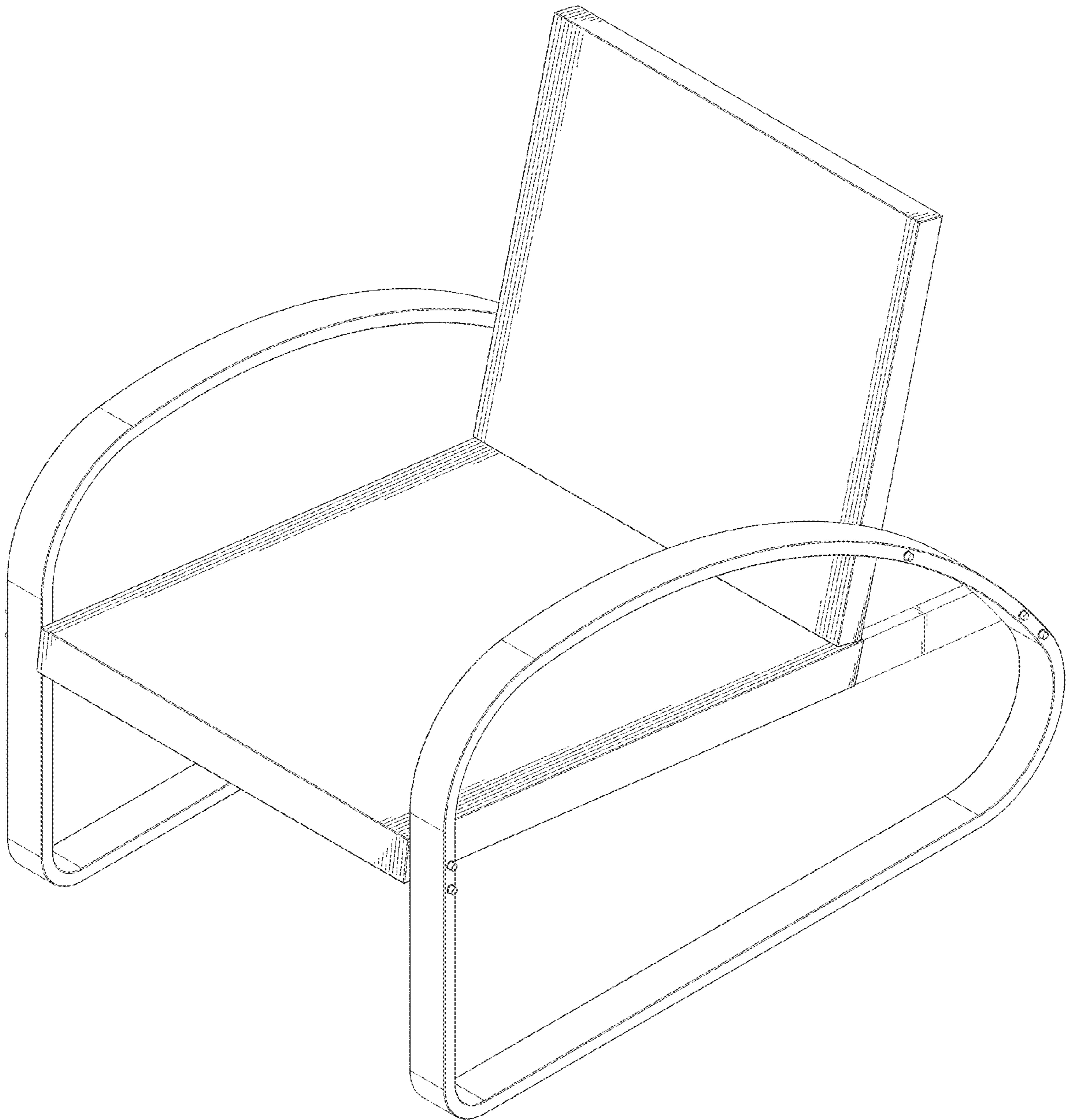


FIG.1

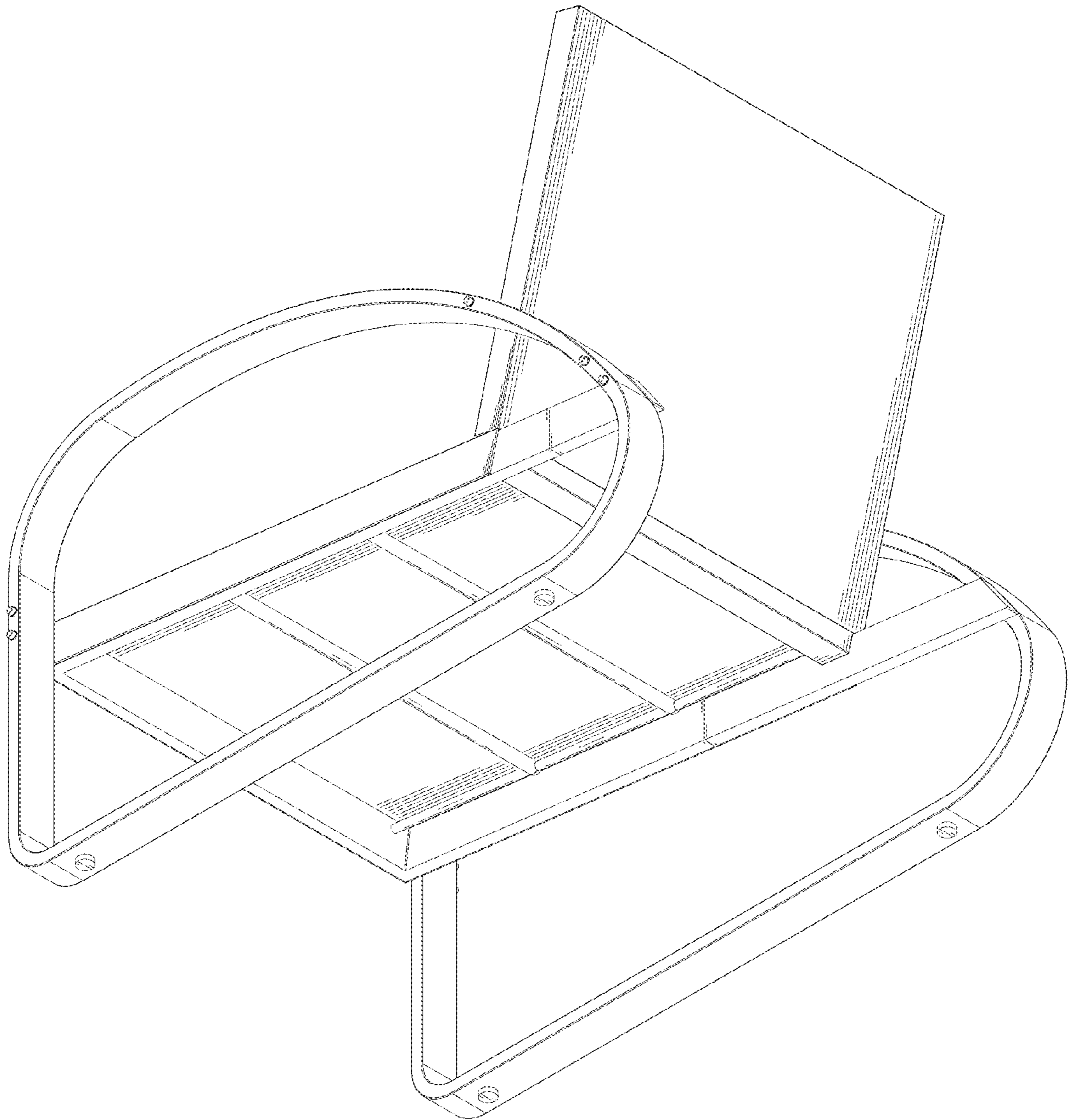


FIG.2

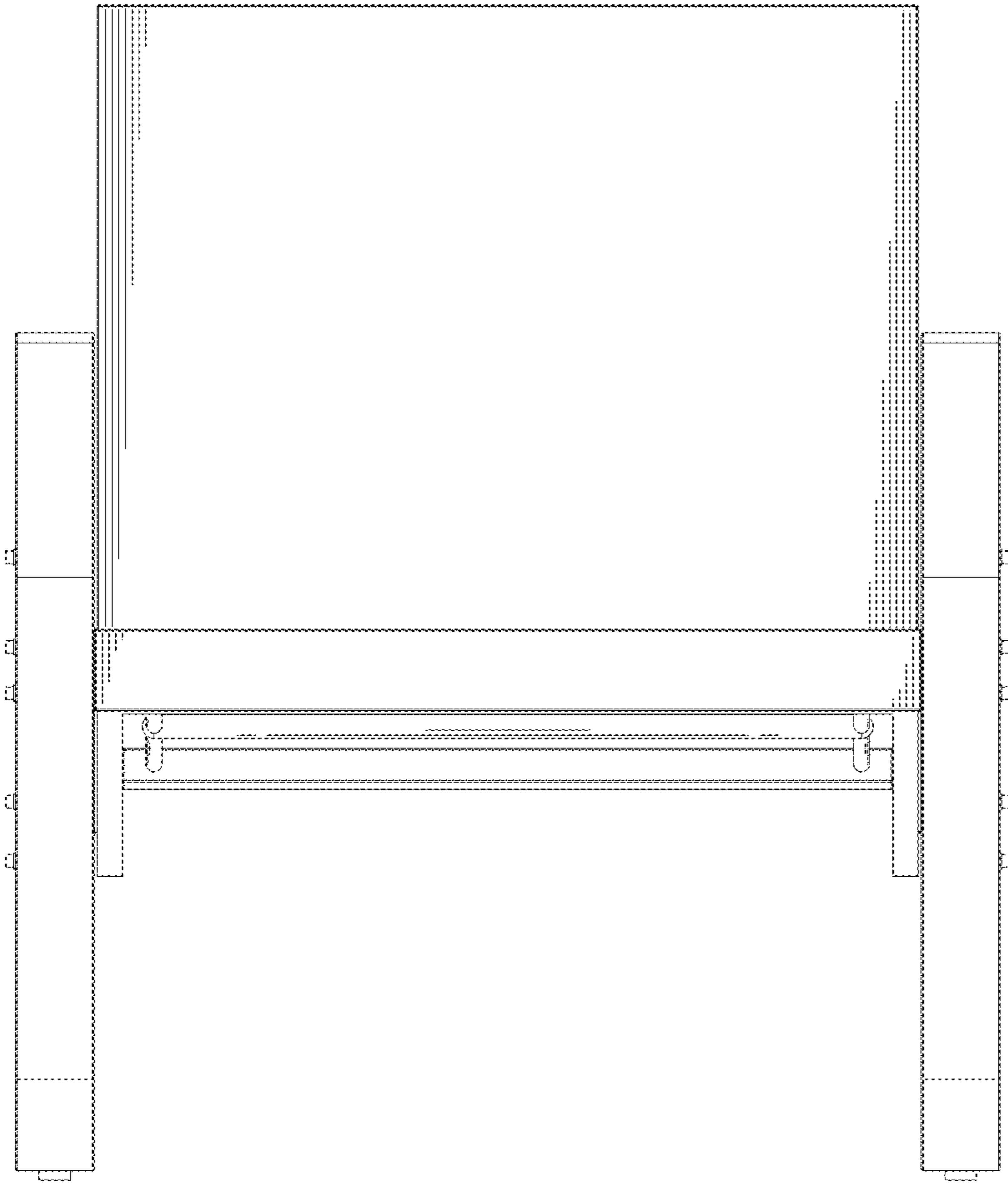


FIG.3

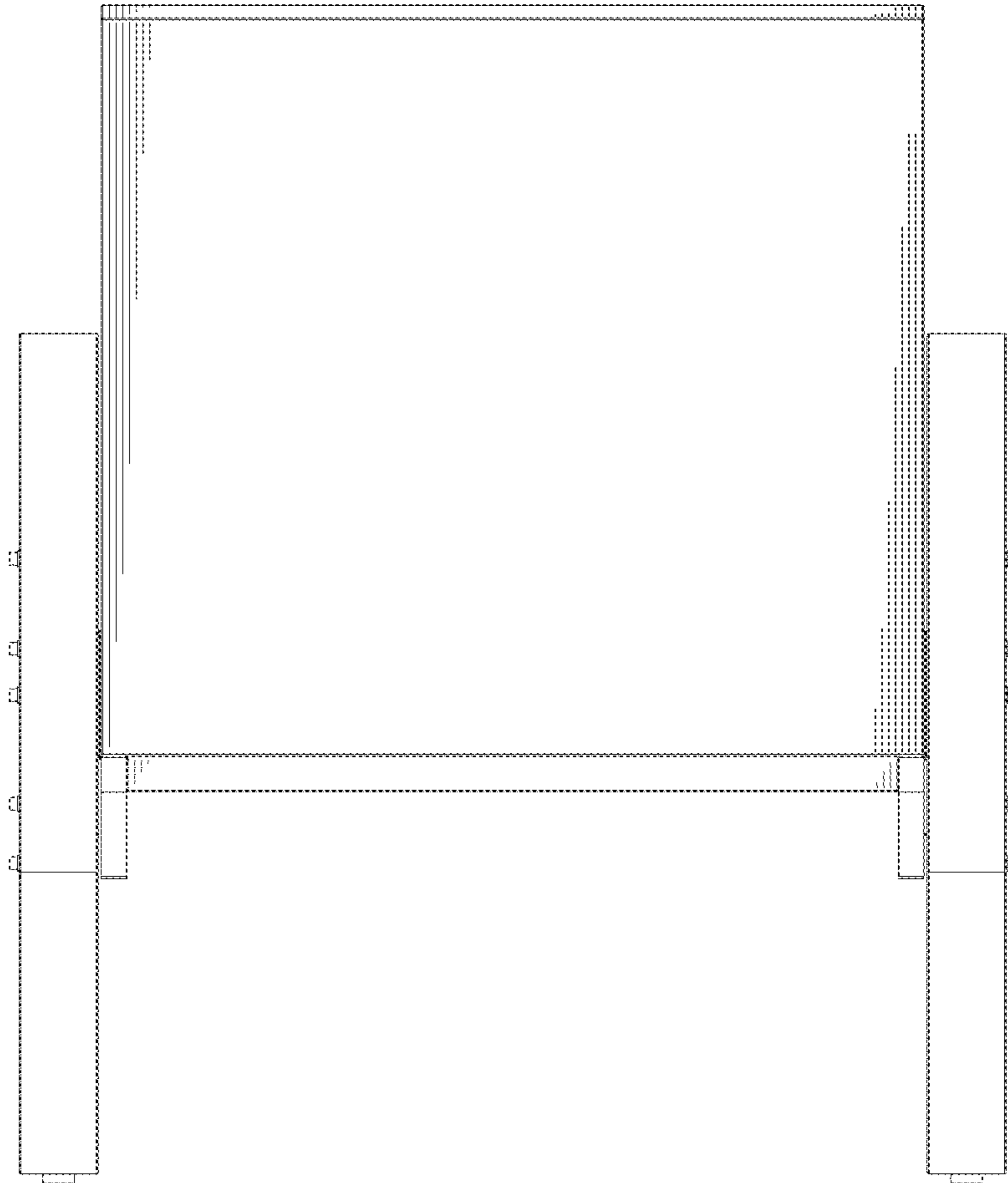


FIG.4

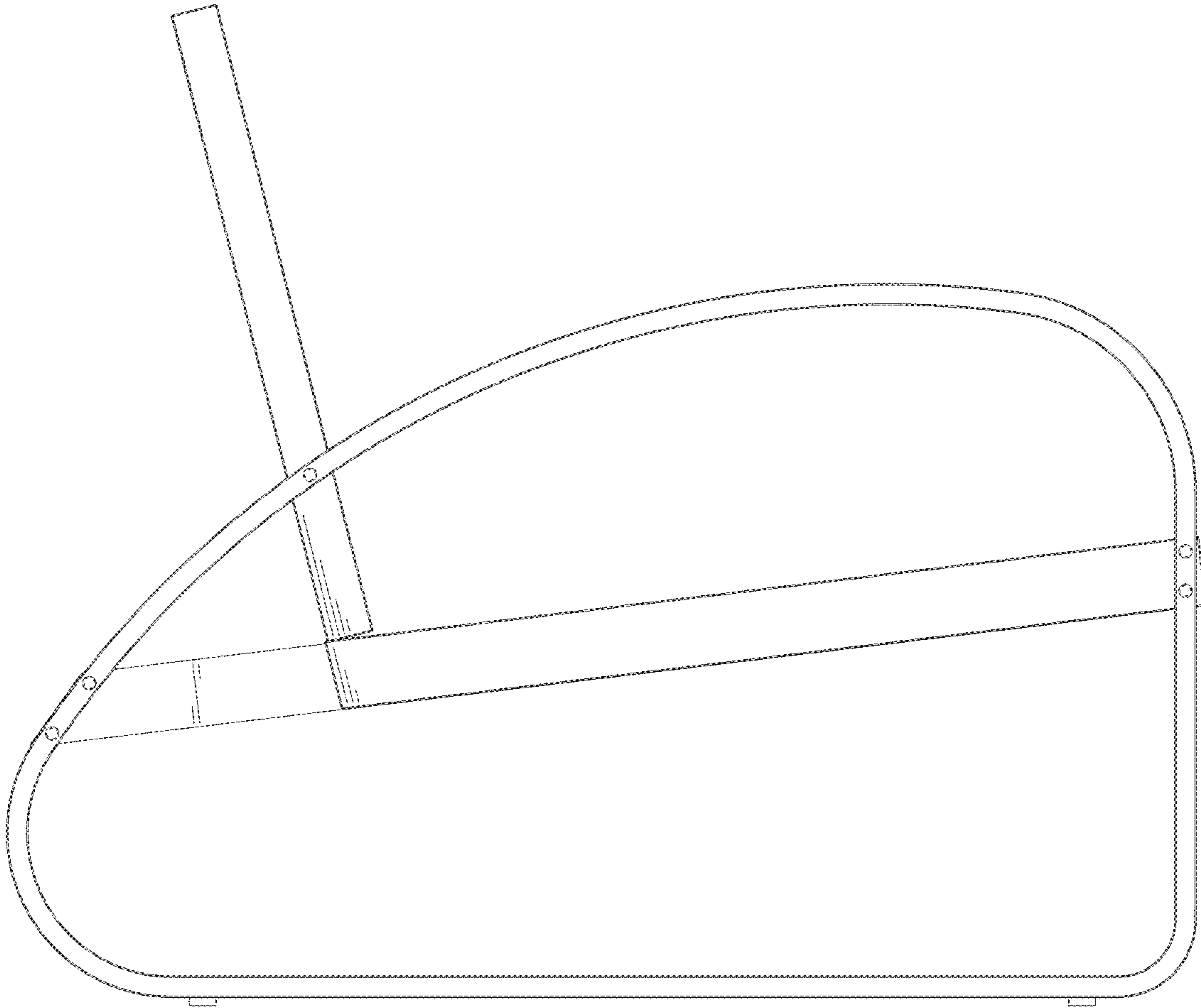


FIG.5

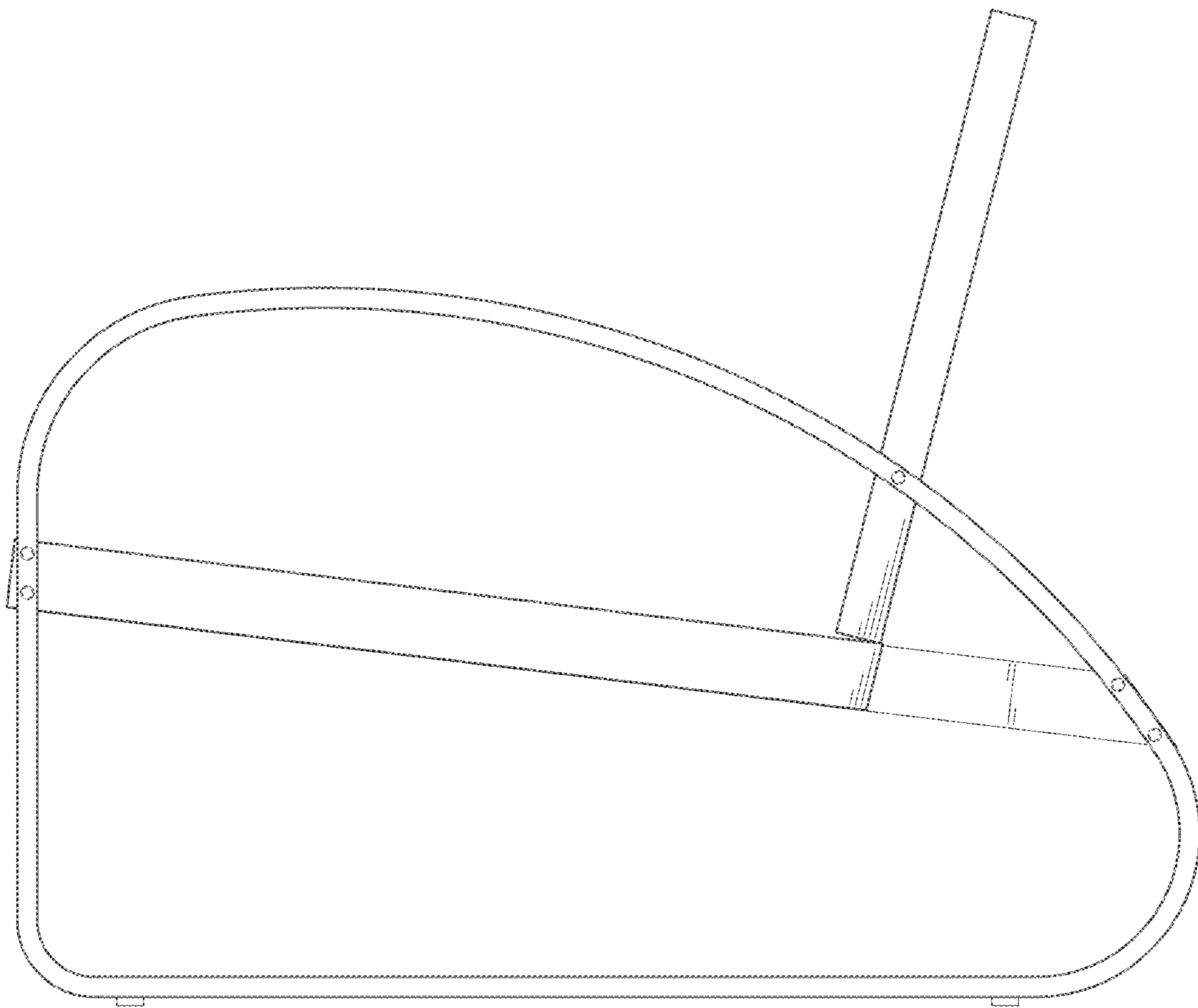


FIG.6

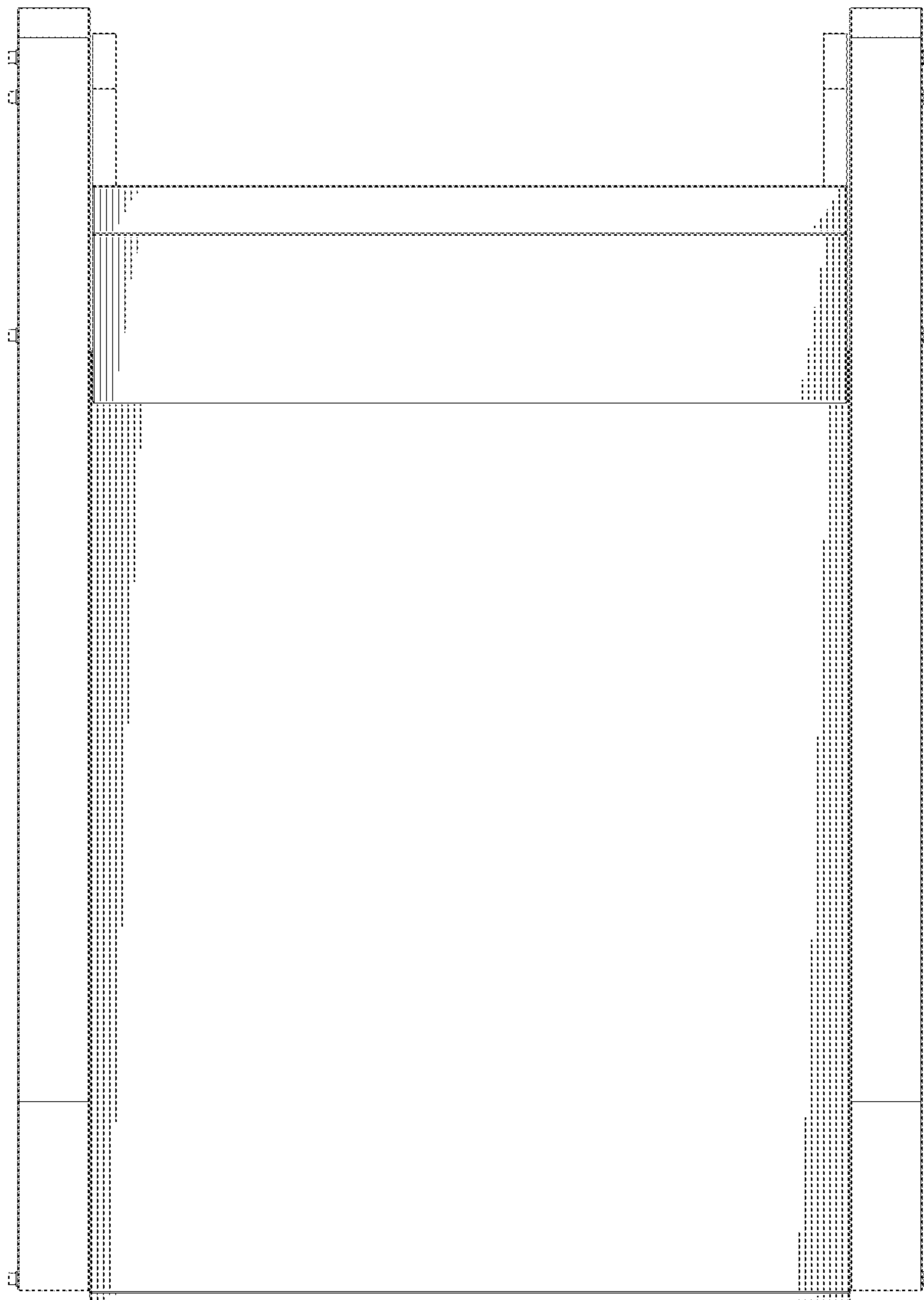


FIG. 7

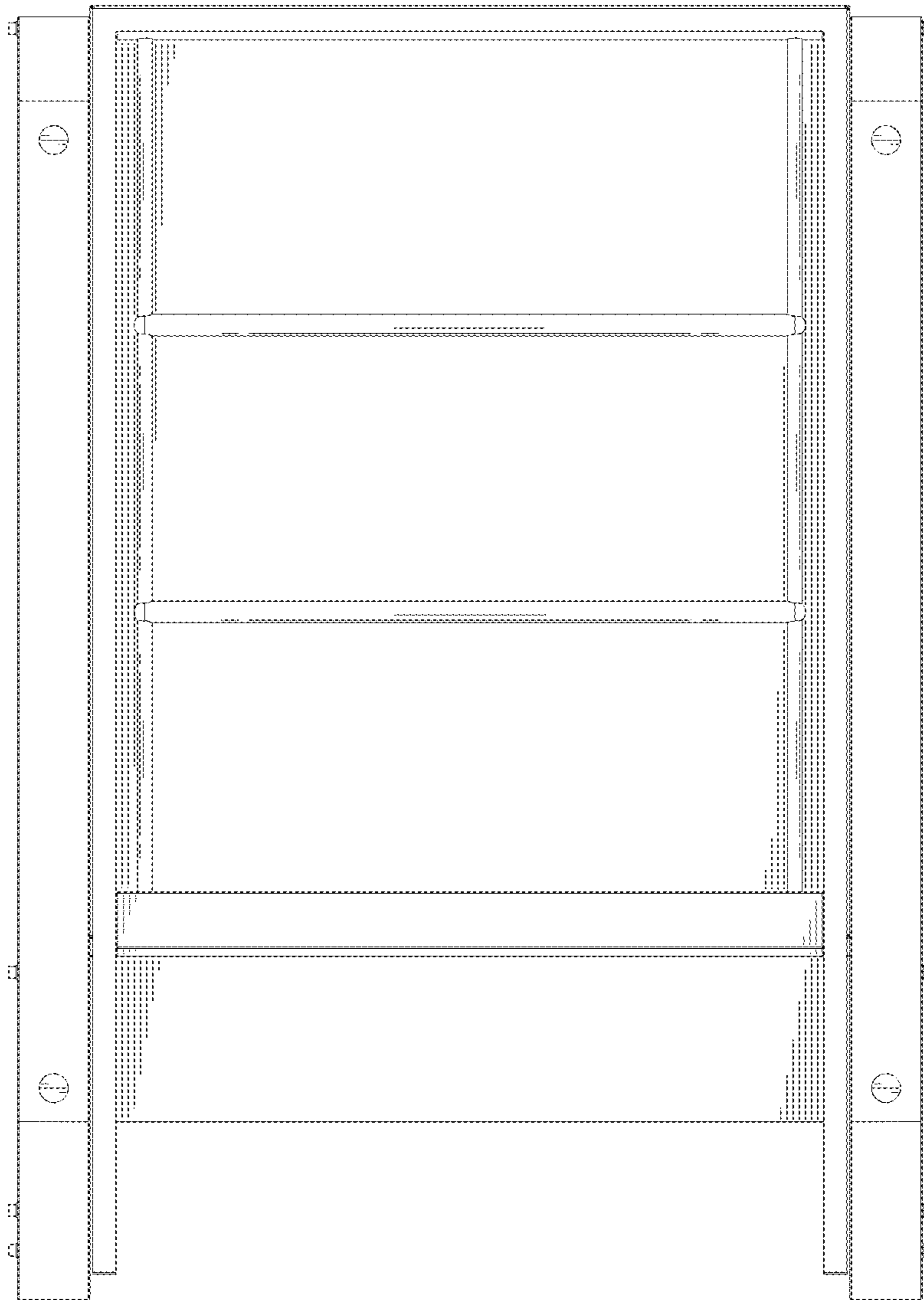


FIG.8