



US00D988020S

(12) **United States Design Patent**
Yang

(10) **Patent No.:** **US D988,020 S**

(45) **Date of Patent:** **** Jun. 6, 2023**

(54) **OFFICE CHAIR**

(71) Applicant: **Sena Smart Furniture Co., Ltd.**,
Guangdong (CN)

(72) Inventor: **Xingchang Yang**, Guangdong (CN)

(**) Term: **15 Years**

(21) Appl. No.: **29/850,460**

(22) Filed: **Aug. 19, 2022**

(51) **LOC (14) Cl.** **06-01**

(52) **U.S. Cl.**
USPC **D6/366**

(58) **Field of Classification Search**
USPC D6/366, 716
CPC A47C 3/045; A47C 3/04; A47C 7/006;
A47C 4/02; A47C 4/20; A47C 5/10
See application file for complete search history.

(56) **References Cited**

U.S. PATENT DOCUMENTS

D351,741 S *	10/1994	Pollock	D6/366
D422,802 S *	4/2000	Deacon	D6/366
D512,232 S	12/2005	Wu		
D667,232 S *	9/2012	Yang	D6/366
D677,068 S	3/2013	Chen		
D680,345 S *	4/2013	Xingchang	D6/366

D755,533 S *	5/2016	Ballendat	D6/366
D762,996 S *	8/2016	Fancelli	D6/366
D766,641 S *	9/2016	Gorgi	D6/716.4
D770,788 S *	11/2016	Bonneywell	D6/366
D881,621 S *	4/2020	Jin	D6/716.1
D944,026 S	2/2022	Jin		

* cited by examiner

Primary Examiner — Kevin K Rudzinski

Assistant Examiner — Paul D Bohannon

(74) *Attorney, Agent, or Firm* — Che-Yang Chen; Law Office of Michael Chen

(57) **CLAIM**

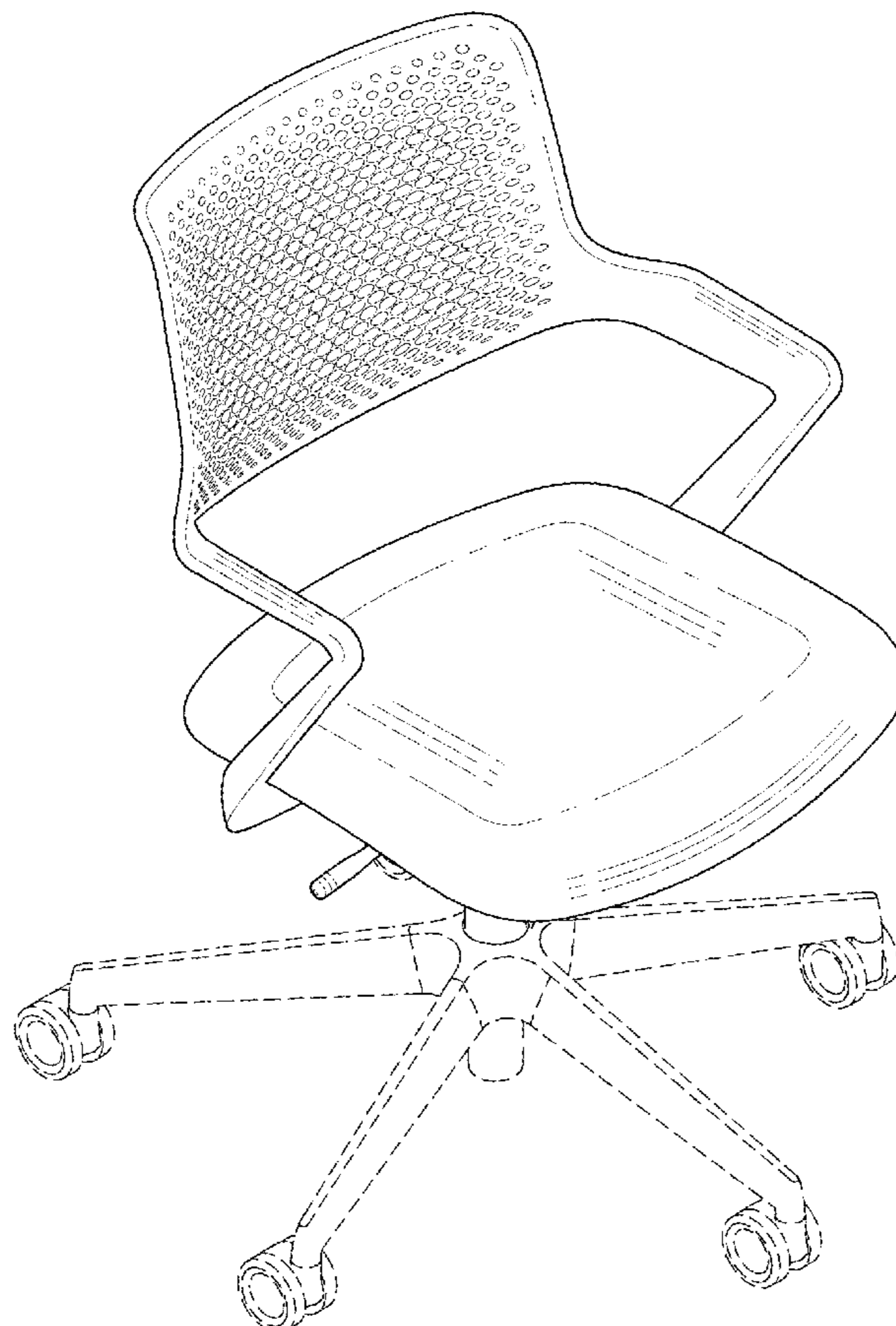
The ornamental design for an office chair, as shown and described.

DESCRIPTION

FIG. 1 is a perspective view of the office chair showing my new design;
FIG. 2 is a perspective view thereof from another angle;
FIG. 3 is a front elevational view thereof;
FIG. 4 is a rear elevational view thereof;
FIG. 5 is a left side elevational view thereof;
FIG. 6 is a right side elevational view thereof;
FIG. 7 is a top plan view thereof; and,
FIG. 8 is a bottom plan view thereof.

The broken lines shown in the drawings represent portions of the office chair that form no part of the claimed design.

1 Claim, 8 Drawing Sheets



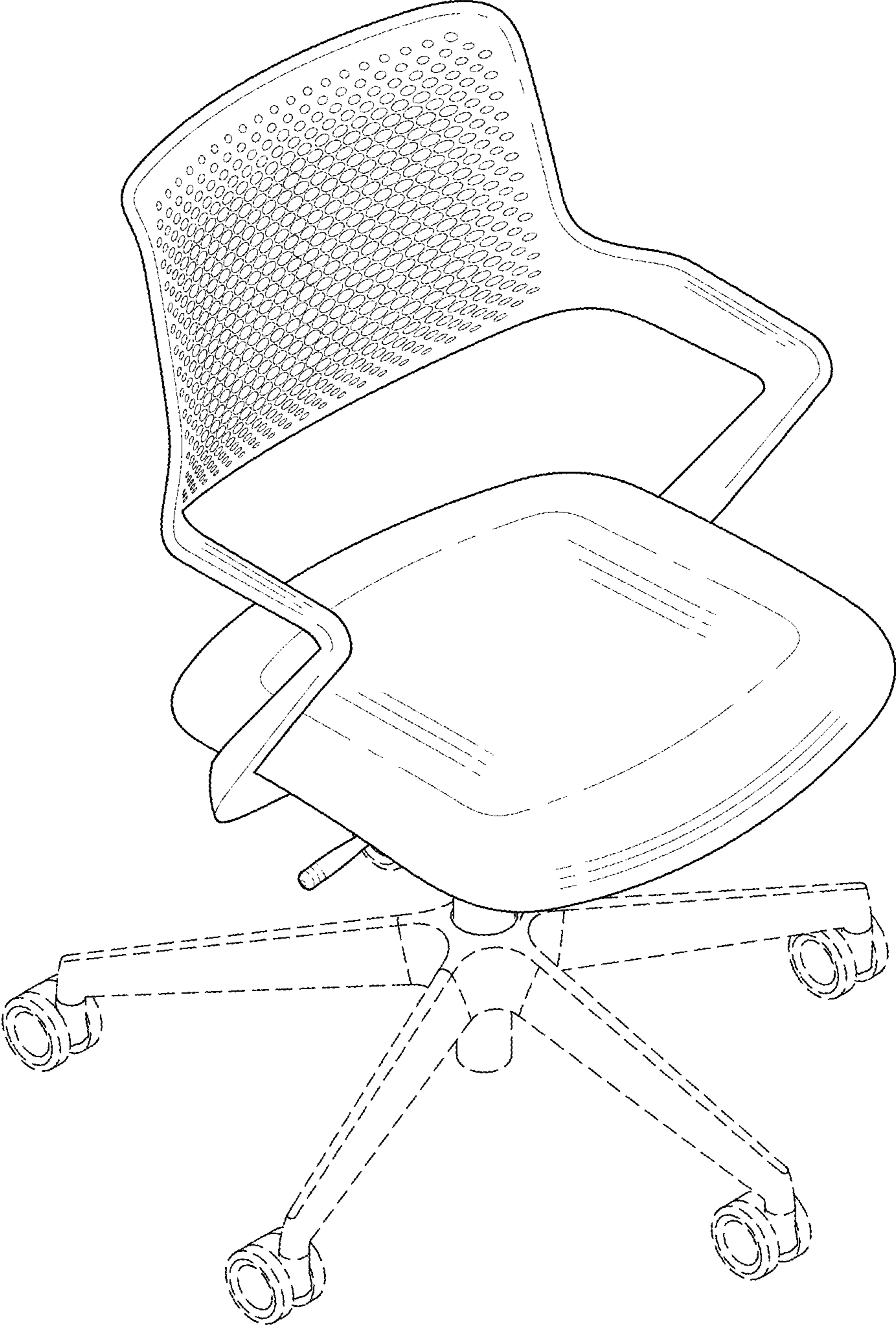


FIG. 1

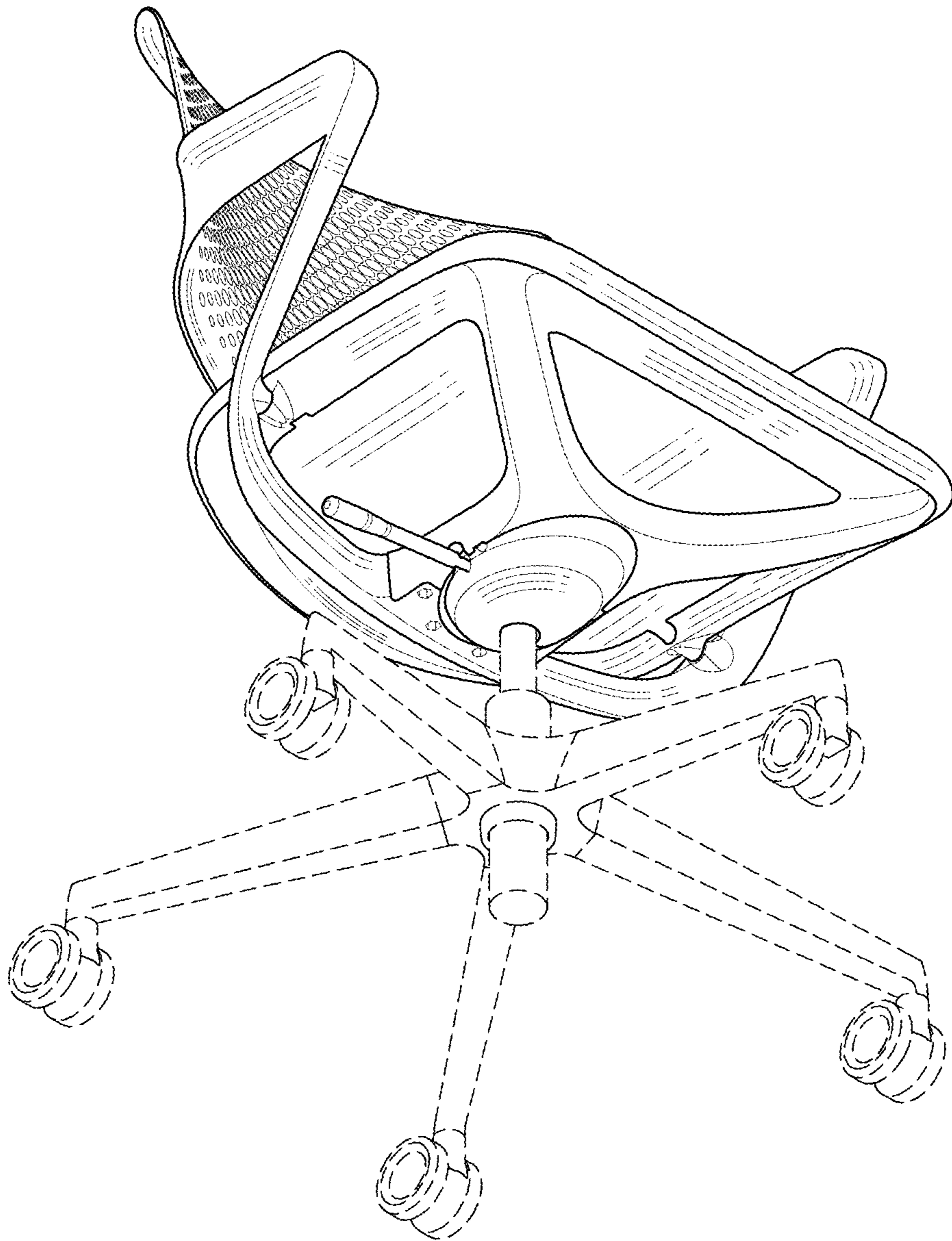


FIG. 2

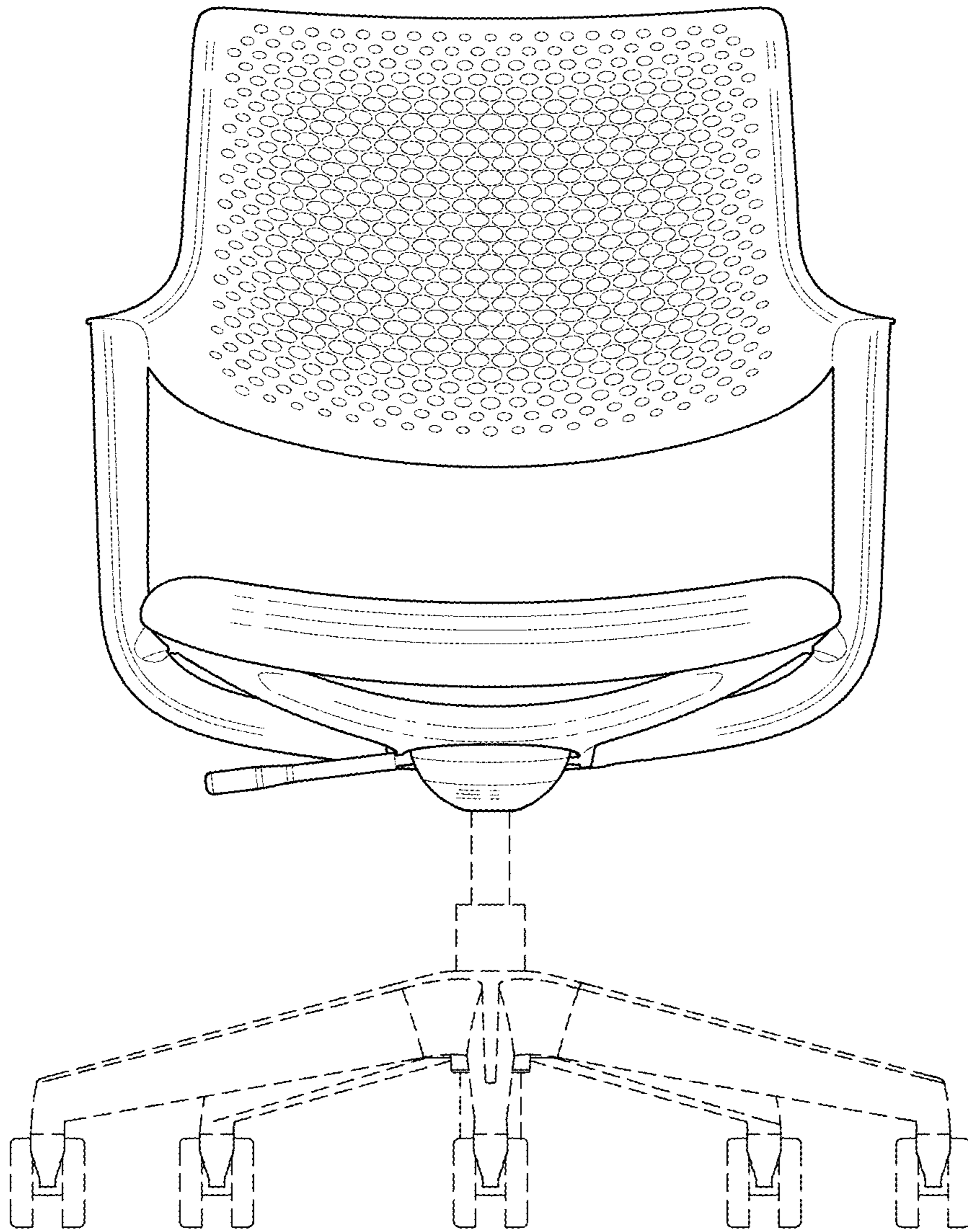


FIG. 3

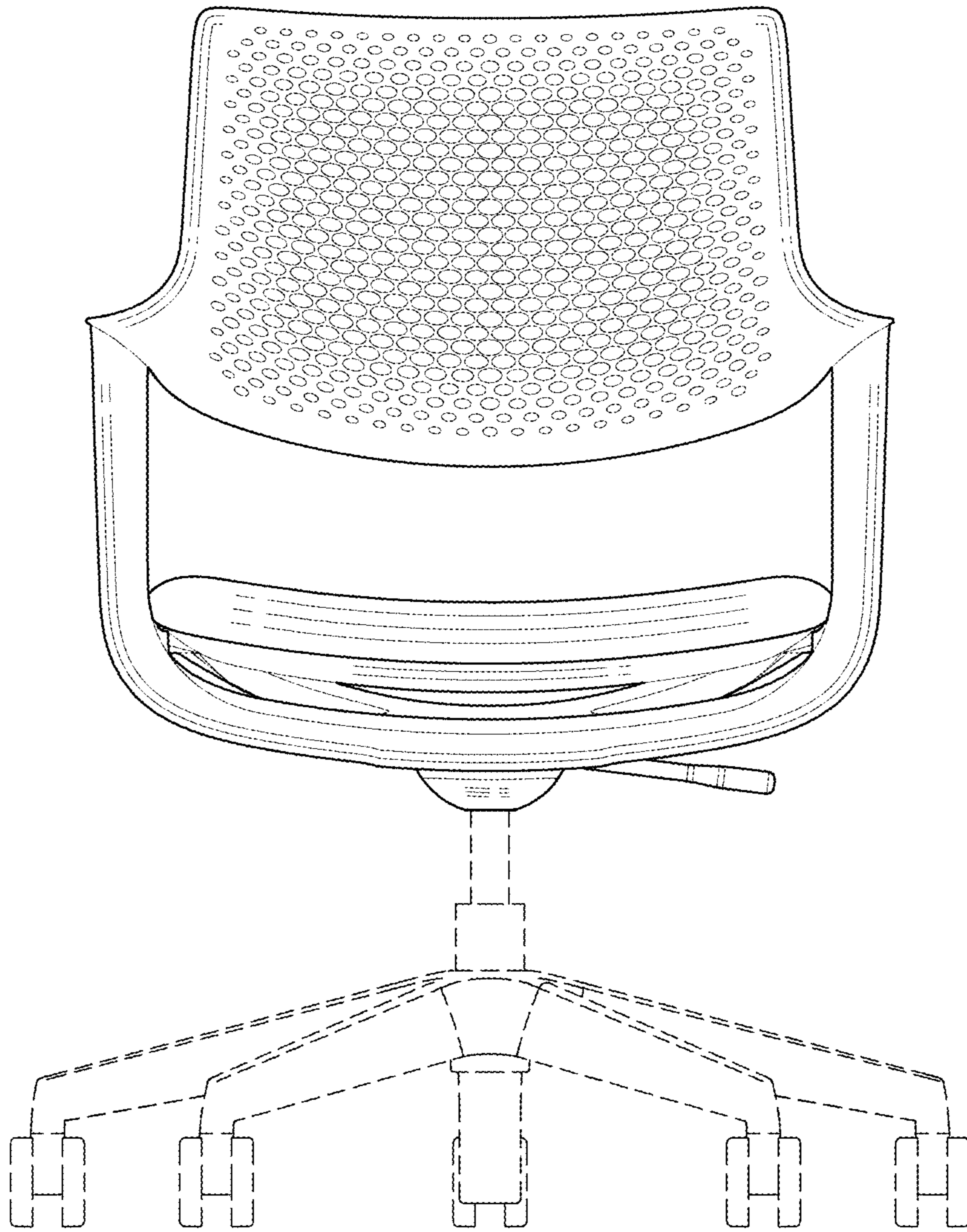


FIG. 4

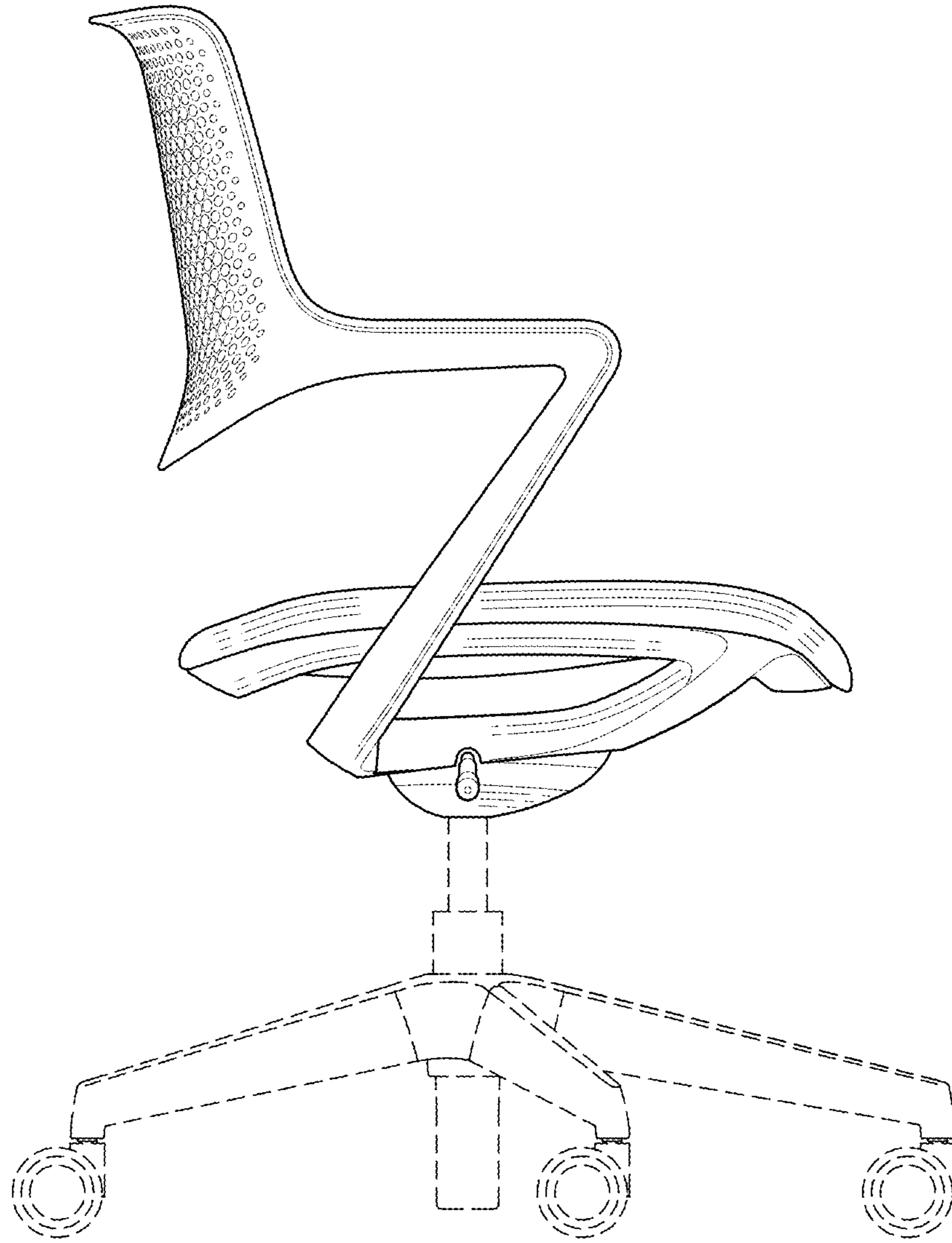


FIG. 5

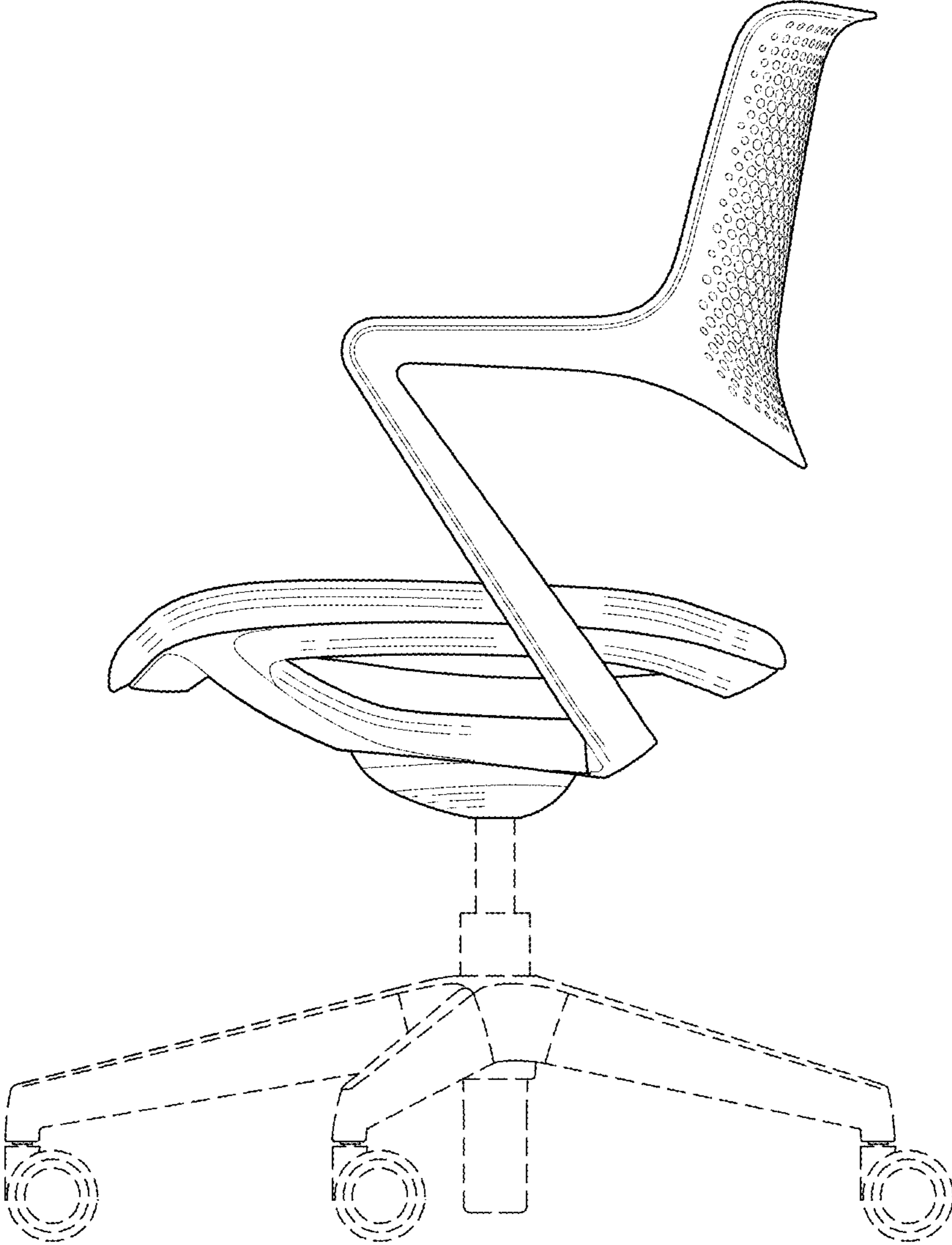


FIG. 6

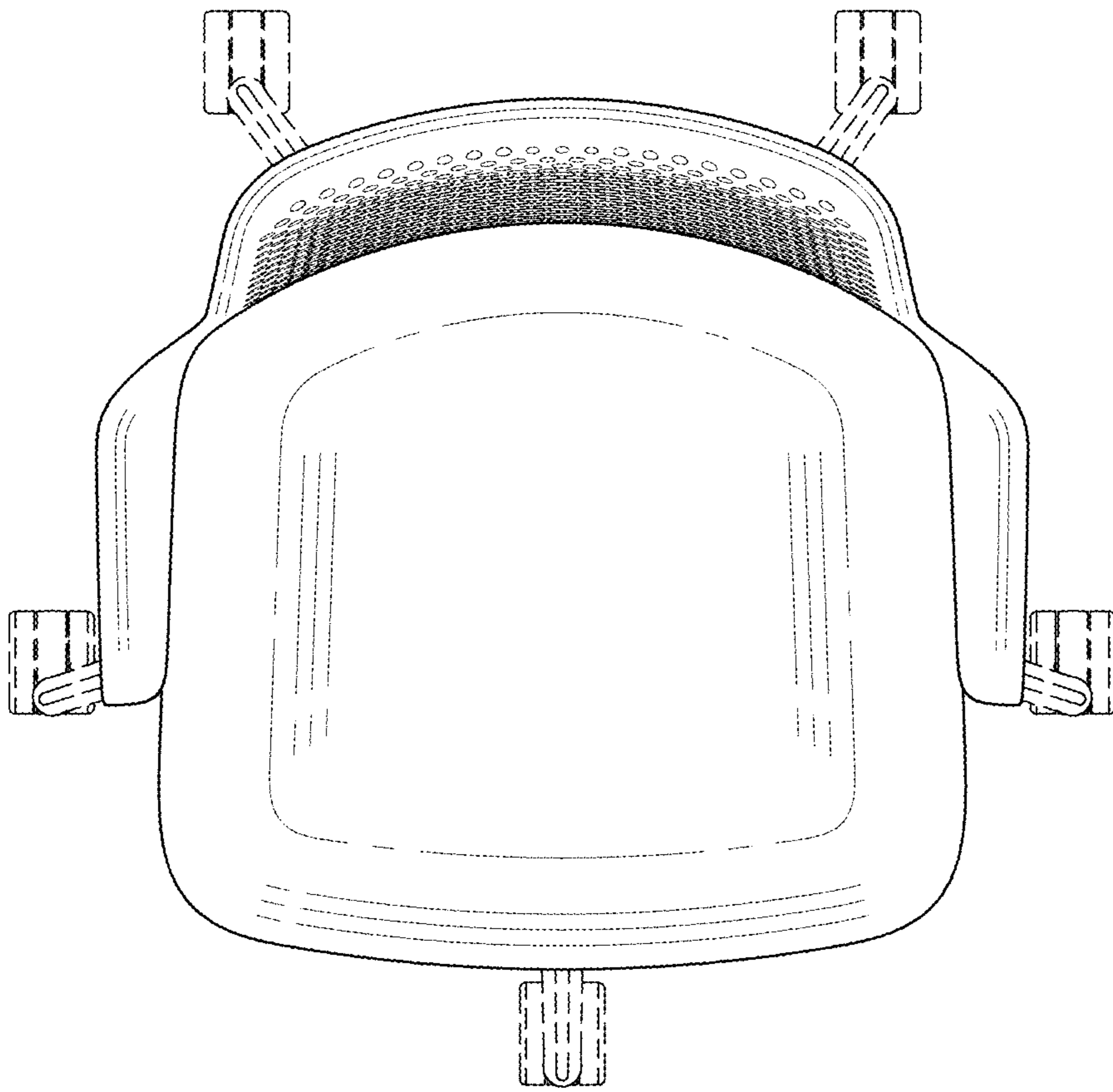


FIG. 7

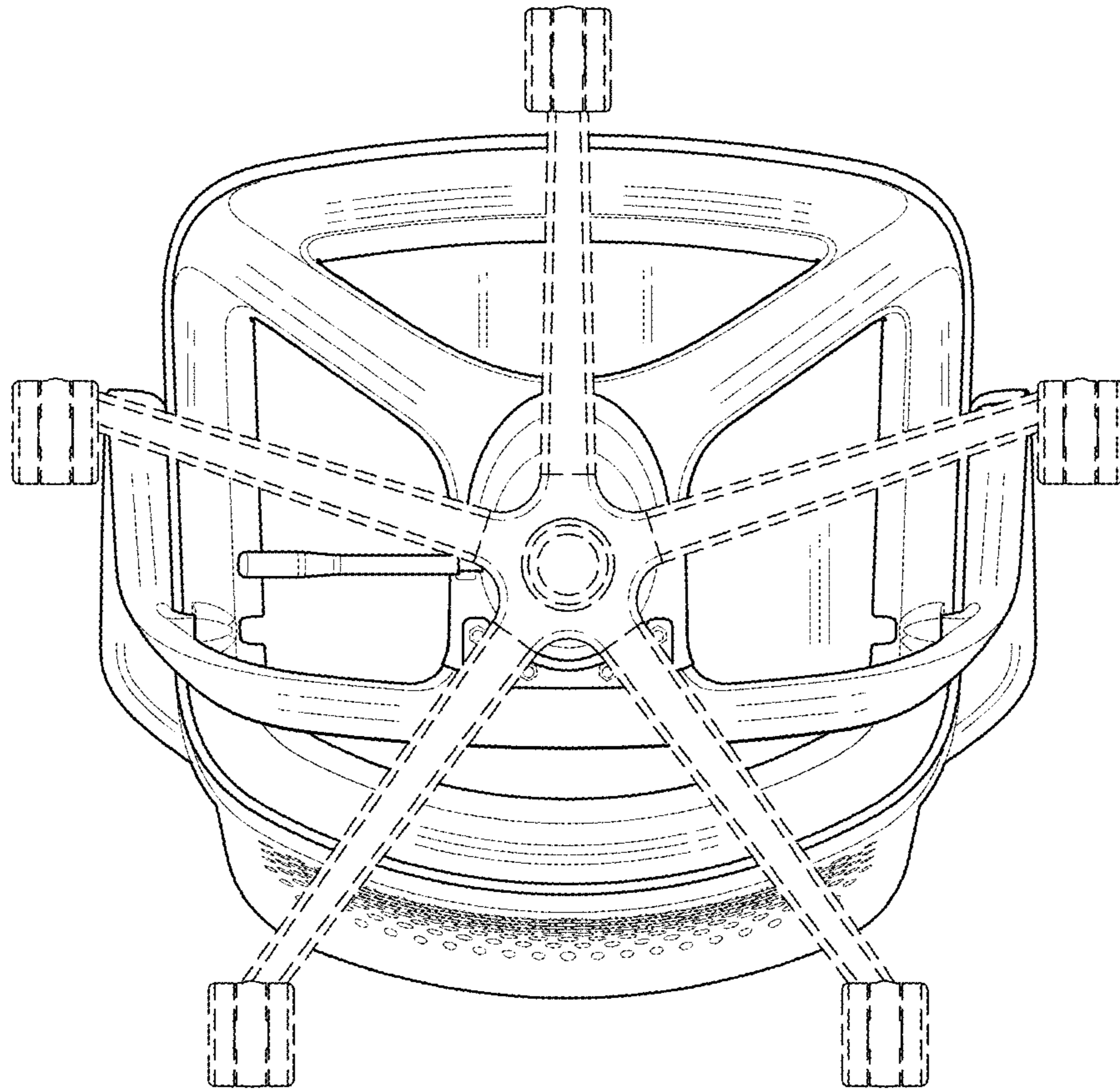


FIG. 8