



US00D988019S

(12) **United States Design Patent**
Wu

(10) **Patent No.:** **US D988,019 S**
(45) **Date of Patent:** **** Jun. 6, 2023**

(54) **GAMING CHAIR**

(71) Applicant: **Wudi Industrial (Shanghai) Co., Ltd.**,
Shanghai (CN)
(72) Inventor: **Peng Wu**, Shanghai (CN)
(73) Assignee: **Wudi Industrial (Shanghai) Co., Ltd.**,
Shanghai (CN)

(**) Term: **15 Years**

(21) Appl. No.: **29/812,276**

(22) Filed: **Oct. 20, 2021**

(51) **LOC (14) Cl.** **06-01**

(52) **U.S. Cl.**
USPC **D6/366**

(58) **Field of Classification Search**
USPC D6/356, 362, 364, 366, 367, 374, 375,
D6/379, 380, 716.1, 716.2
CPC A47C 1/02; A47C 1/022; A47C 1/024;
A47C 1/032; A47C 1/03255; A47C 3/18;
A47C 3/20; A47C 3/025; A47C 3/026;
A47C 7/18; A47C 7/24; A47C 7/36;
A47C 7/46; A47C 9/02; A47C 5/04;
A47C 5/06; A47C 5/08; A47C 5/10
See application file for complete search history.

(56) **References Cited**

U.S. PATENT DOCUMENTS

D317,534 S * 6/1991 Hansel D6/333
D396,152 S * 7/1998 Beermann D6/356

D811,145 S * 2/2018 Li D6/366
D841,349 S * 2/2019 Pinder D6/356
D847,526 S * 5/2019 Wang D6/366
D856,696 S * 8/2019 Shen D6/366
D869,214 S * 12/2019 Chen D6/366
D879,493 S * 3/2020 Peng D6/366
D905,992 S * 12/2020 Li D6/366
D951,665 S * 5/2022 Brombacher D6/356
D959,160 S * 8/2022 Jung D6/356
D962,687 S * 9/2022 Xiao D6/716.1

* cited by examiner

Primary Examiner — R. Johnson

(74) *Attorney, Agent, or Firm* — Bayramoglu Law Offices
LLC

(57) **CLAIM**

The ornamental design for a gaming chair, as shown and
described.

DESCRIPTION

FIG. 1 is a front elevational view of a gaming chair showing
our new design;
FIG. 2 is a right side elevational view thereof;
FIG. 3 is a rear elevational view thereof;
FIG. 4 is a left side elevational view thereof;
FIG. 5 is a bottom plan view thereof;
FIG. 6 is a perspective right view thereof;
FIG. 7 is a perspective left view thereof; and,
FIG. 8 is a top view thereof.
The broken lines depict portions of the gaming chair that
form no part of the claimed design.

1 Claim, 8 Drawing Sheets



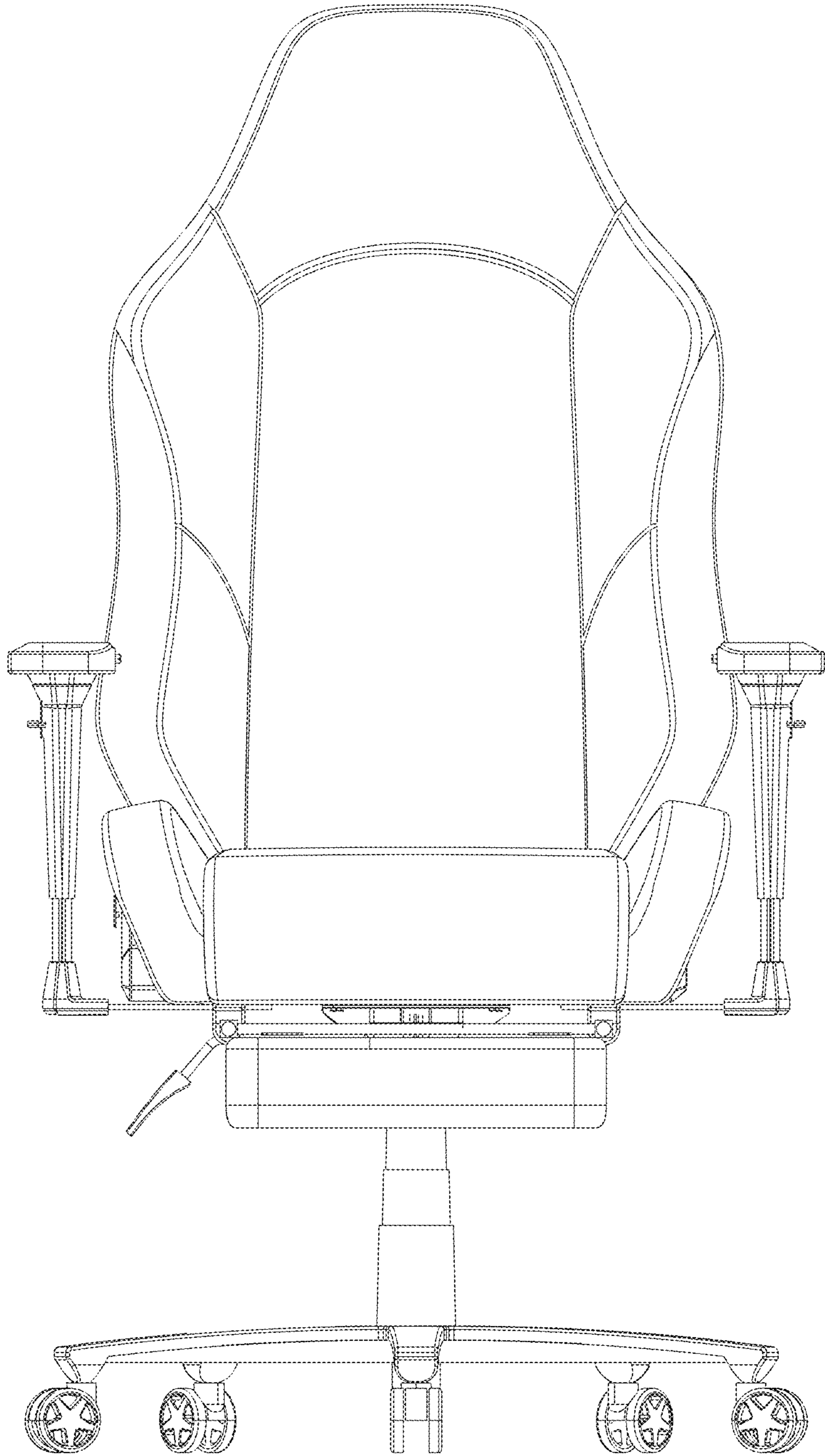


FIG. 1

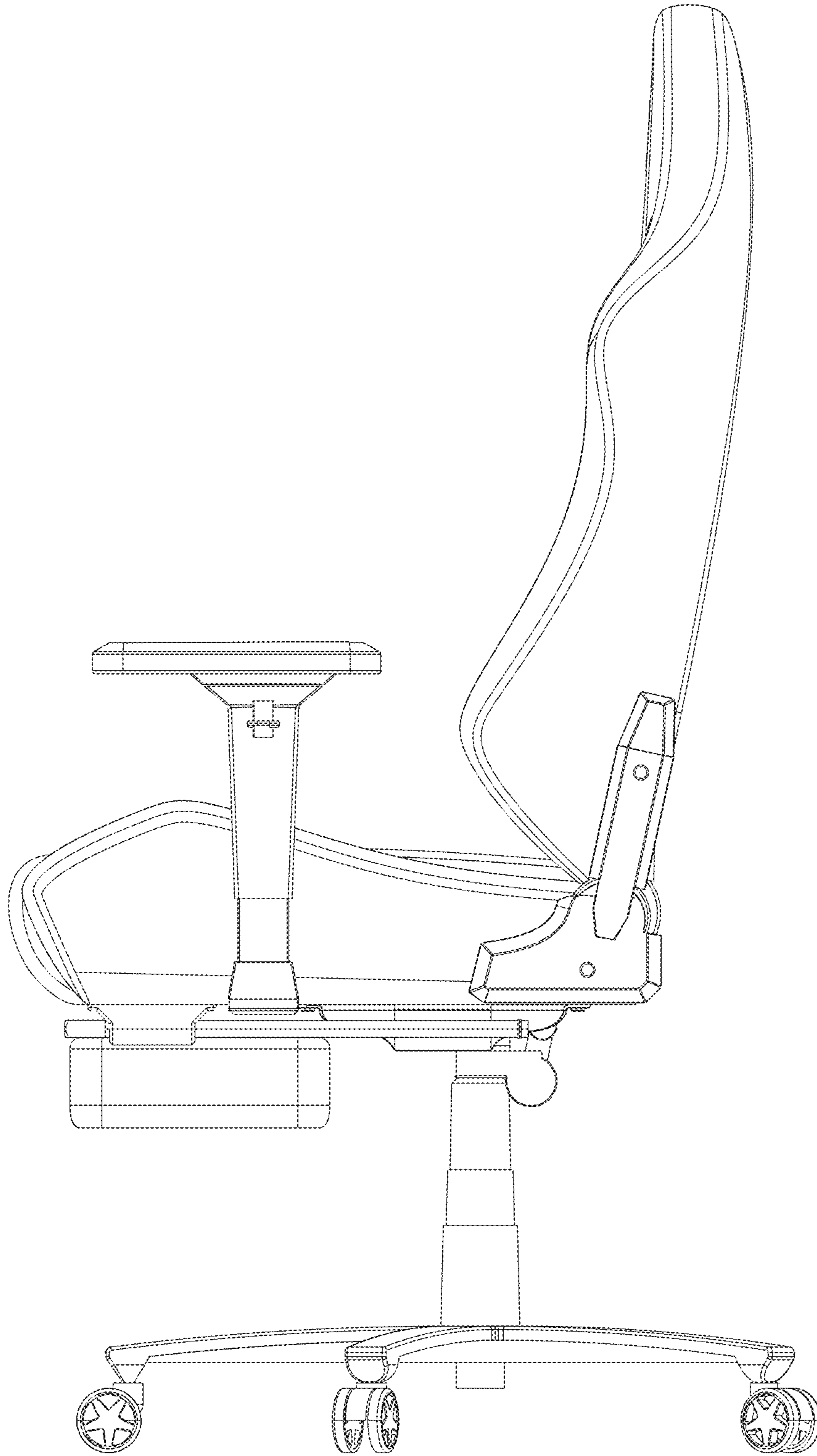


FIG. 2

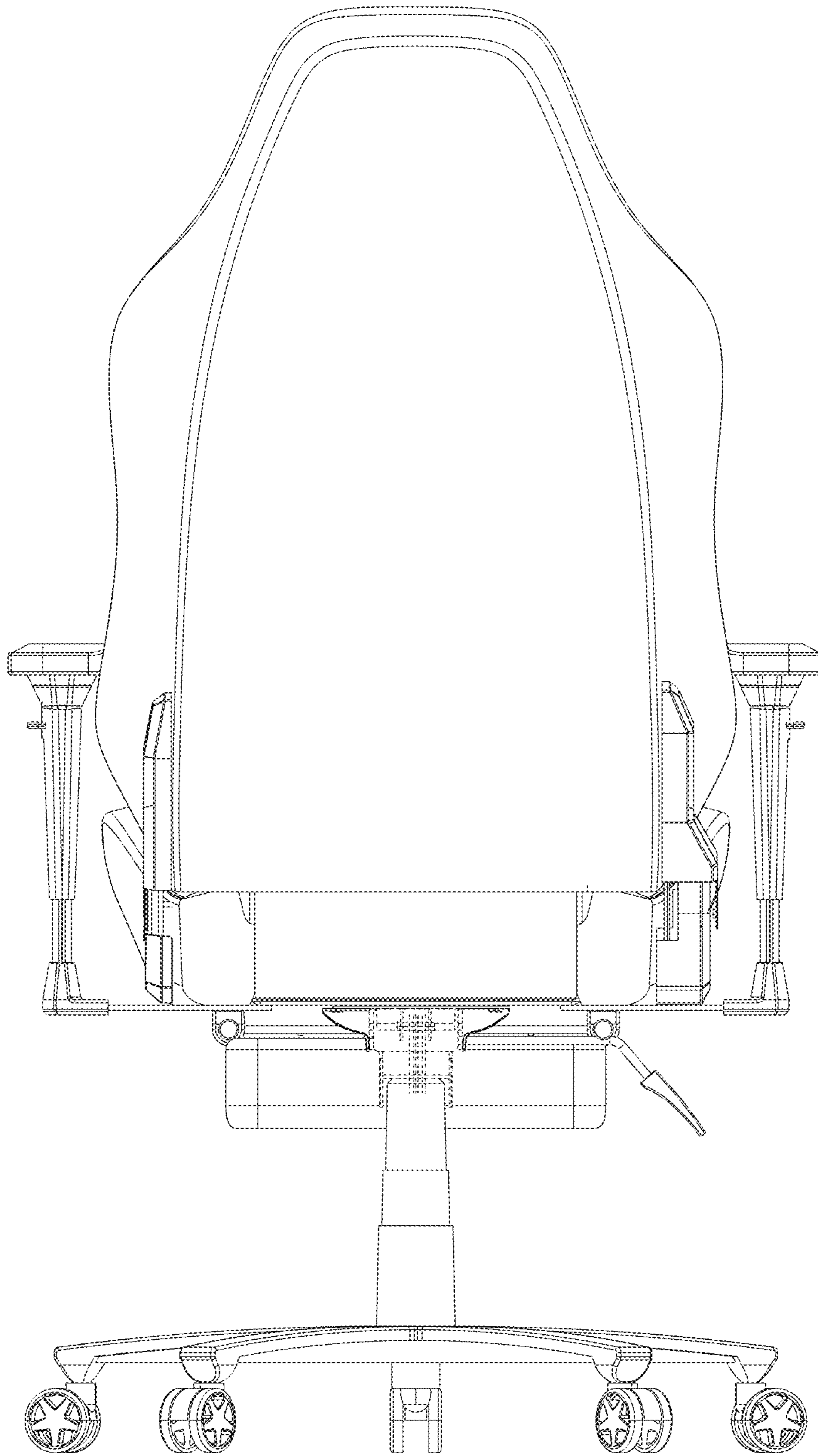


FIG. 3

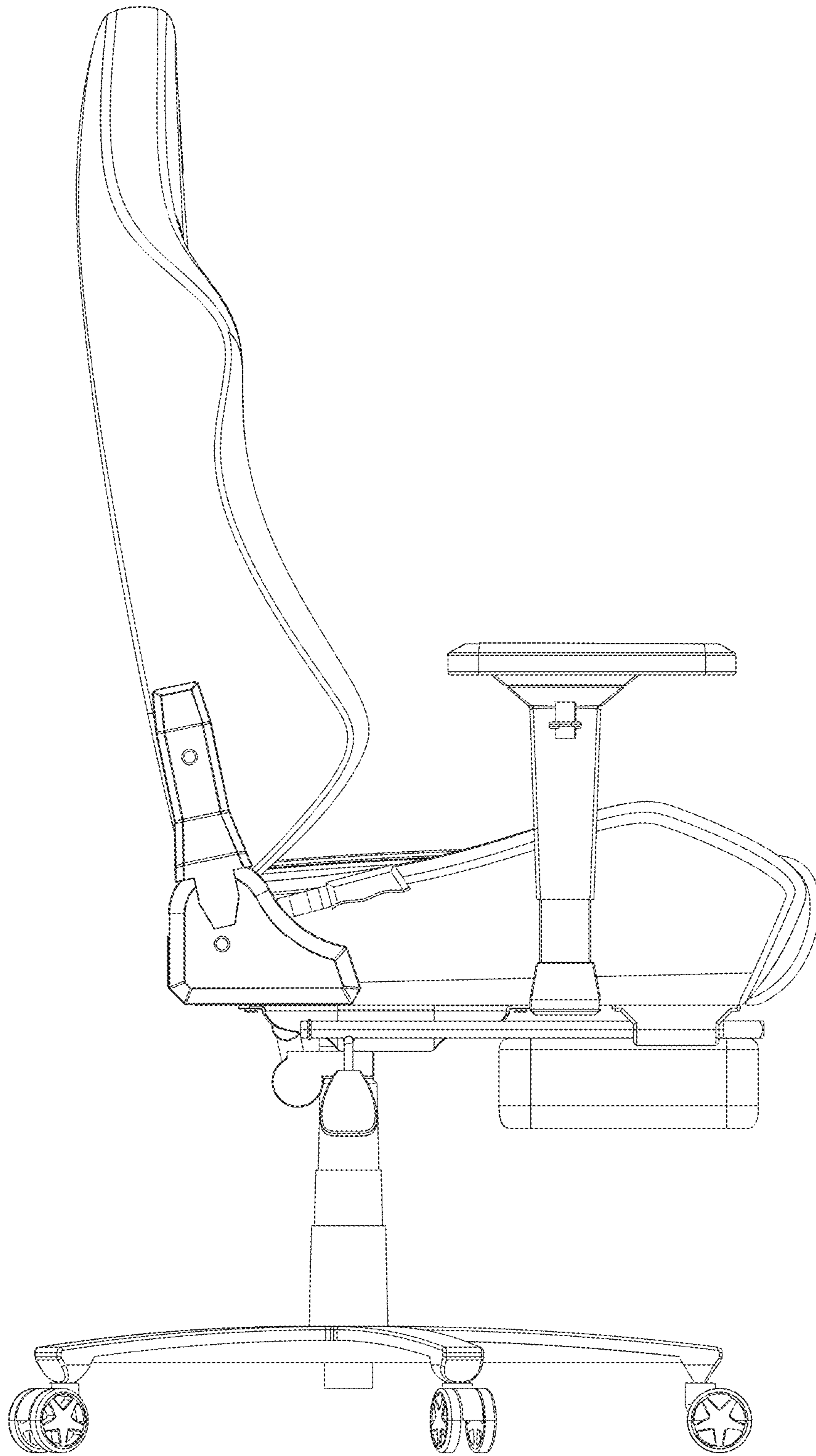


FIG. 4

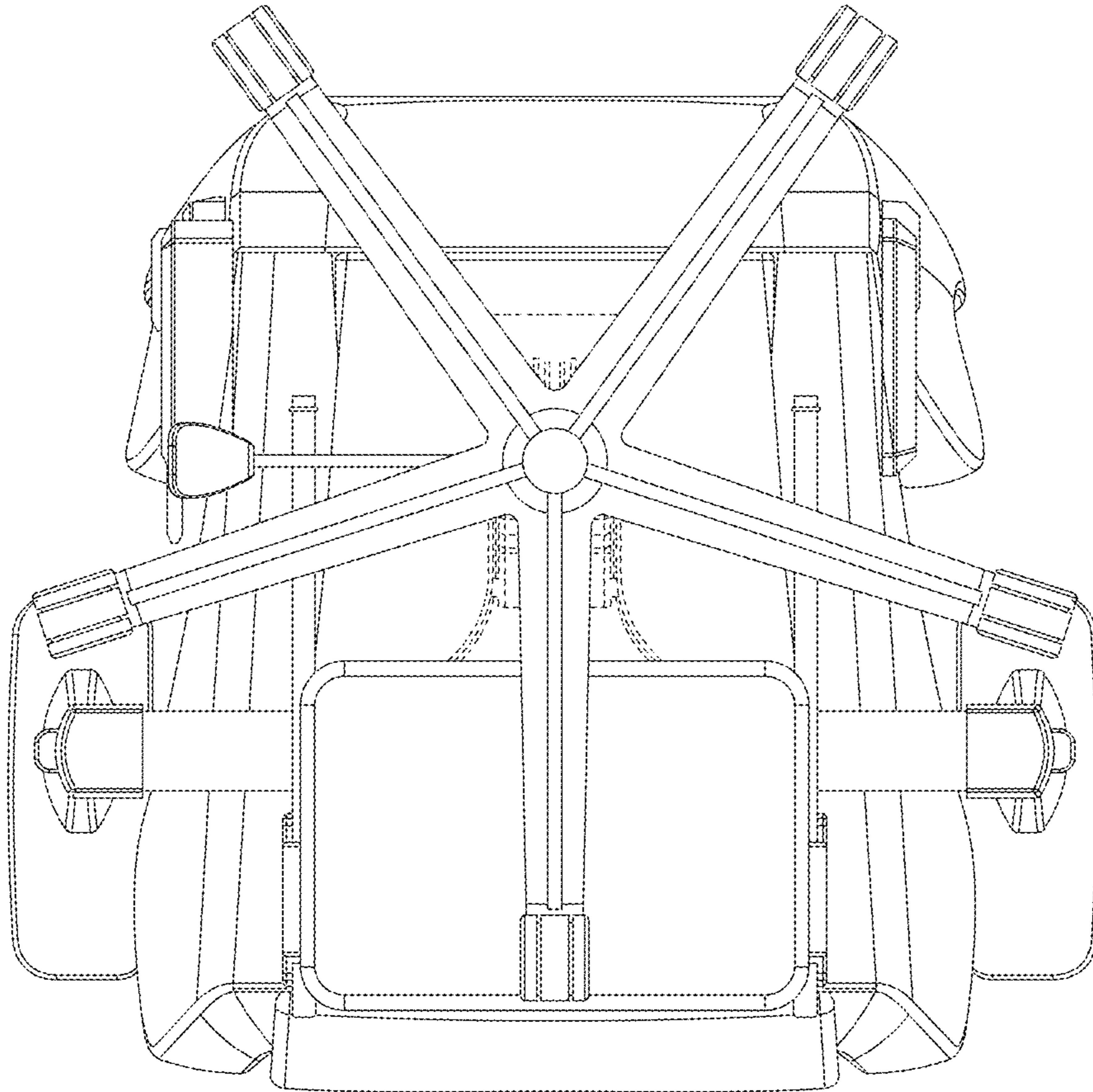


FIG. 5



FIG. 6



FIG. 7

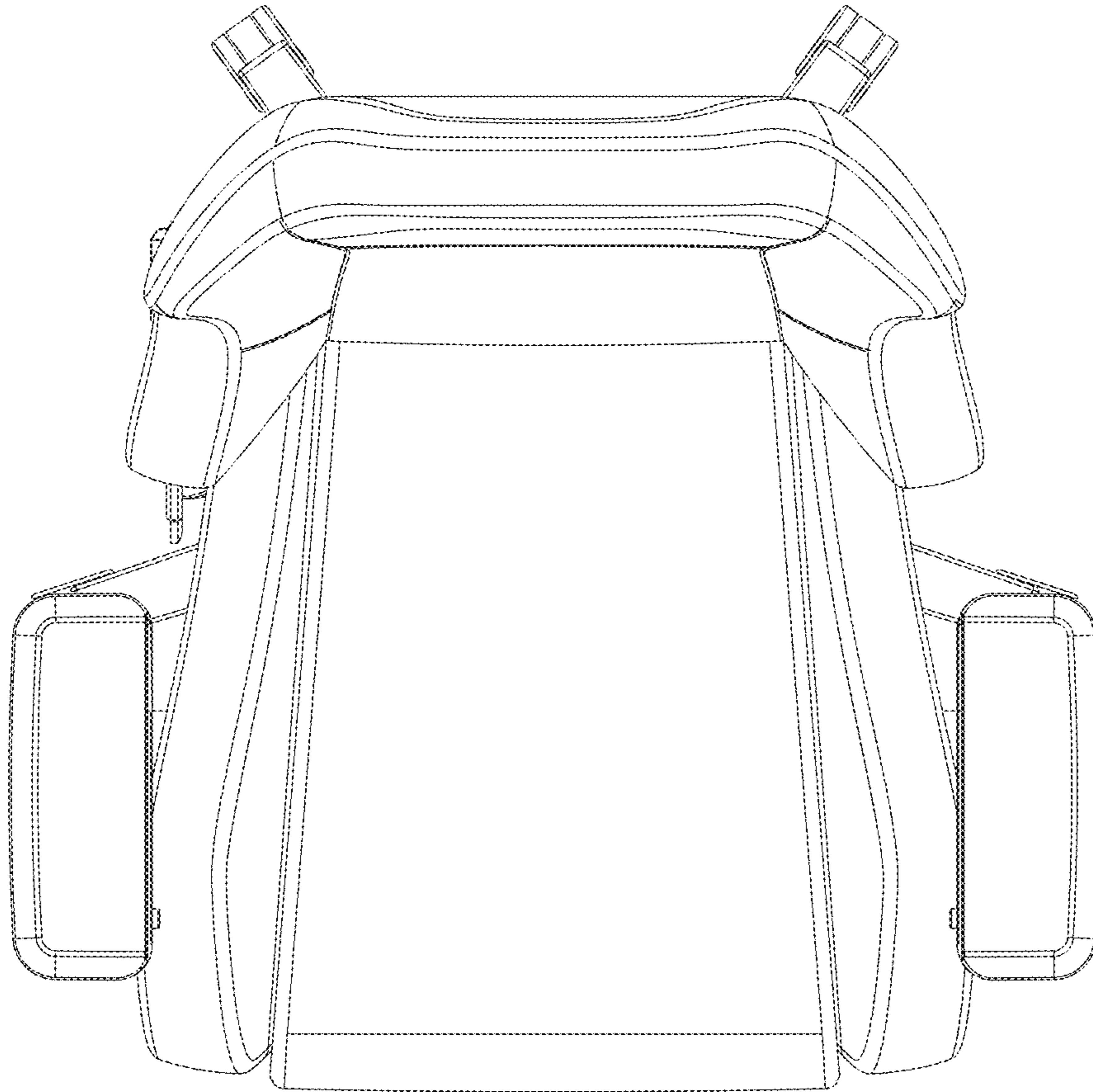


FIG. 8