



US00D988017S

(12) **United States Design Patent** (10) **Patent No.:** **US D988,017 S**
Du (45) **Date of Patent:** **** Jun. 6, 2023**

(54) **LOUNGE CHAIR AND OTTOMAN SET**

(71) Applicant: **Yihua Du**, Baofu Town (CN)

(72) Inventor: **Yihua Du**, Baofu Town (CN)

(**) Term: **15 Years**

(21) Appl. No.: **29/782,943**

(22) Filed: **May 10, 2021**

(51) **LOC (14) Cl.** **06-01**

(52) **U.S. Cl.**
USPC **D6/335**

(58) **Field of Classification Search**
USPC D6/334, 335, 336, 364, 365, 366, 371,
D6/372, 373, 374, 375, 379, 380, 382,
D6/383, 384

CPC A47C 4/028
See application file for complete search history.

(56) **References Cited**

U.S. PATENT DOCUMENTS

D79,973 S *	11/1929	Levinson	D6/334
D164,527 S *	9/1951	Voelker et al.	D6/360
D222,452 S *	10/1971	Bertran	D6/375
D224,861 S *	10/1972	Fisher	D6/334
D225,843 S *	1/1973	Bubk	D6/375
D233,281 S *	10/1974	Johnson	D6/360
D238,527 S *	1/1976	Bernard	D6/334
D238,914 S *	2/1976	Zapf	D6/334
D238,915 S *	2/1976	Long	D6/334
D239,583 S *	4/1976	Long	D6/334
D247,010 S *	1/1978	Daswick	D6/360
D289,709 S *	5/1987	Goldman	D6/367
D290,431 S *	6/1987	Heggdal	D6/367

D291,265 S *	8/1987	Heggdal	D6/365
D319,544 S *	9/1991	Desnoyers	D6/344
D328,823 S *	8/1992	Rogers, Jr.	D6/367
D332,012 S *	12/1992	Severance	D6/334
D388,982 S *	1/1998	Desnoyers	D6/716
D858,120 S *	9/2019	Bellini	D6/334
D941,598 S *	1/2022	Oliva	D6/336
D953,762 S *	6/2022	Bhakta	D6/366
D959,158 S *	8/2022	Kanhasamy	D6/335
D973,376 S *	12/2022	Gao	D6/335
D974,781 S *	1/2023	Tian	D6/335
D974,782 S *	1/2023	Tian	D6/335

FOREIGN PATENT DOCUMENTS

CN	305675382	*	4/2020
CN	305675384	*	4/2020
CN	305864132	*	6/2020
CN	306122772	*	10/2020
CN	306526446	*	5/2021

* cited by examiner

Primary Examiner — Deanna L Pratt

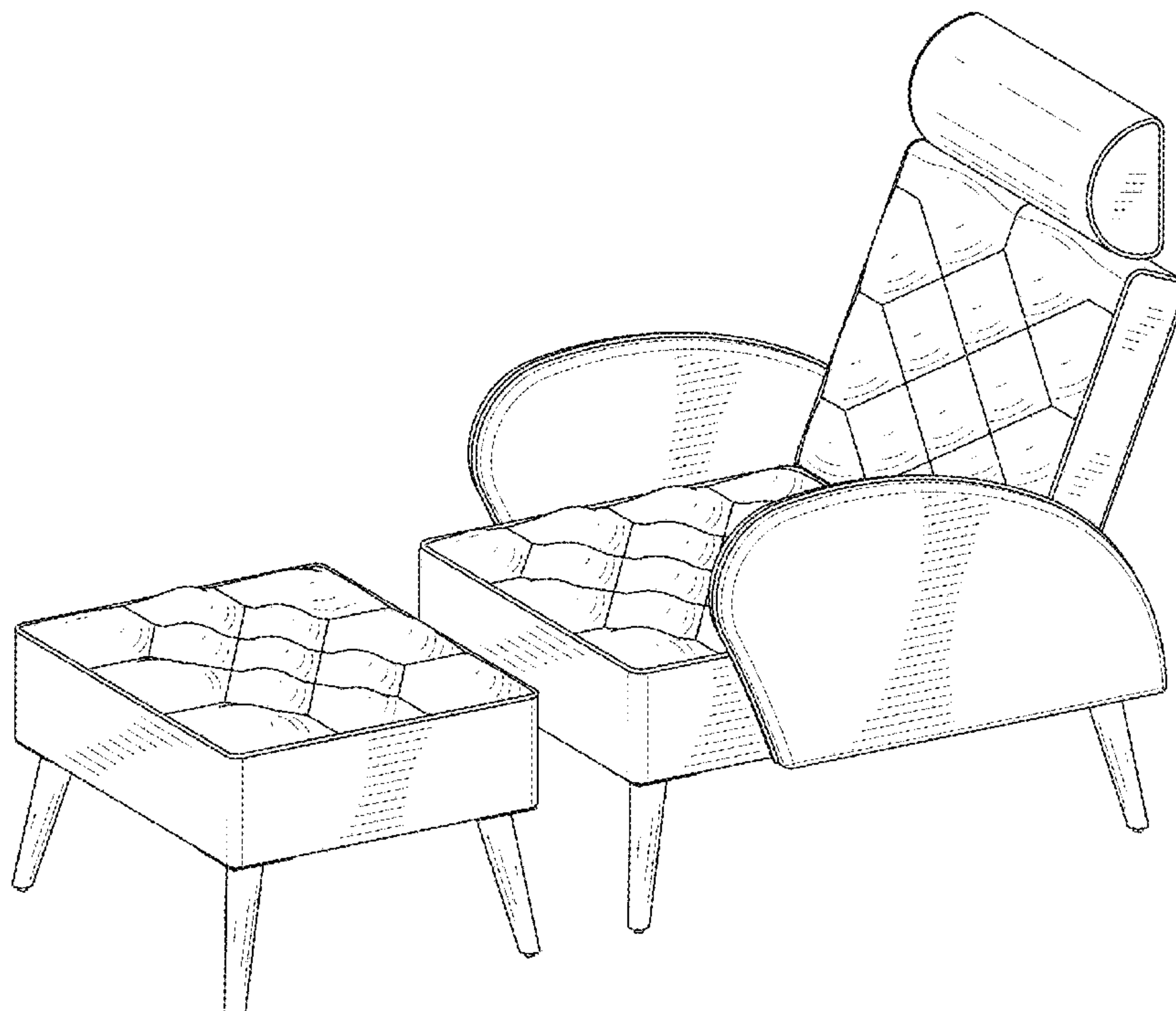
(57) **CLAIM**

The ornamental design for a lounge chair and ottoman set, as shown and described.

DESCRIPTION

FIG. 1 is a front, right side, top perspective view of a lounge chair and ottoman set showing my new design; FIG. 2 is a front elevational view thereof; FIG. 3 is a rear elevational view thereof; FIG. 4 is a left side elevational view thereof; FIG. 5 is a right side elevational view thereof; FIG. 6 is a top plan view thereof; and, FIG. 7 is a bottom plan view thereof.

1 Claim, 7 Drawing Sheets



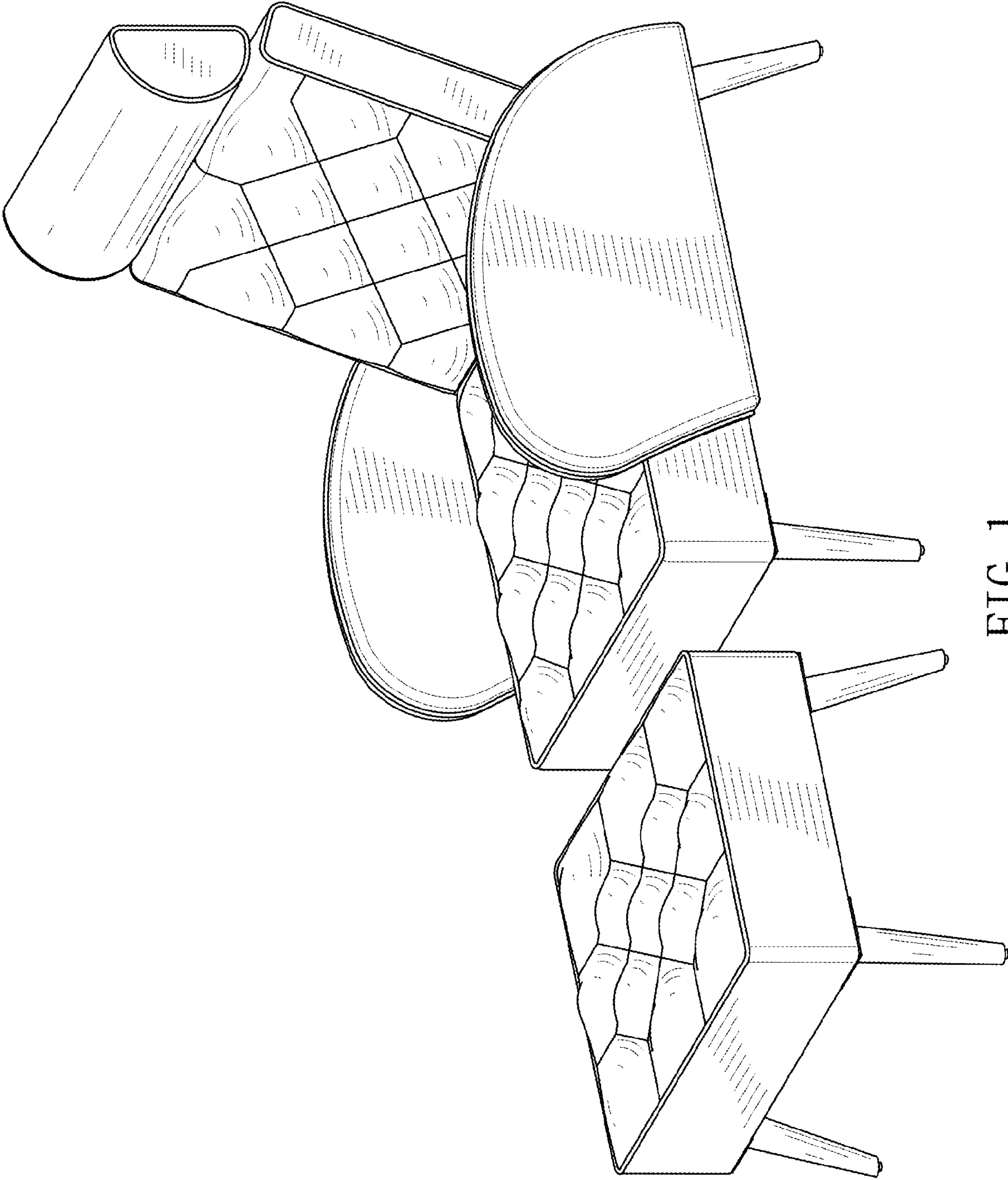


FIG. 1

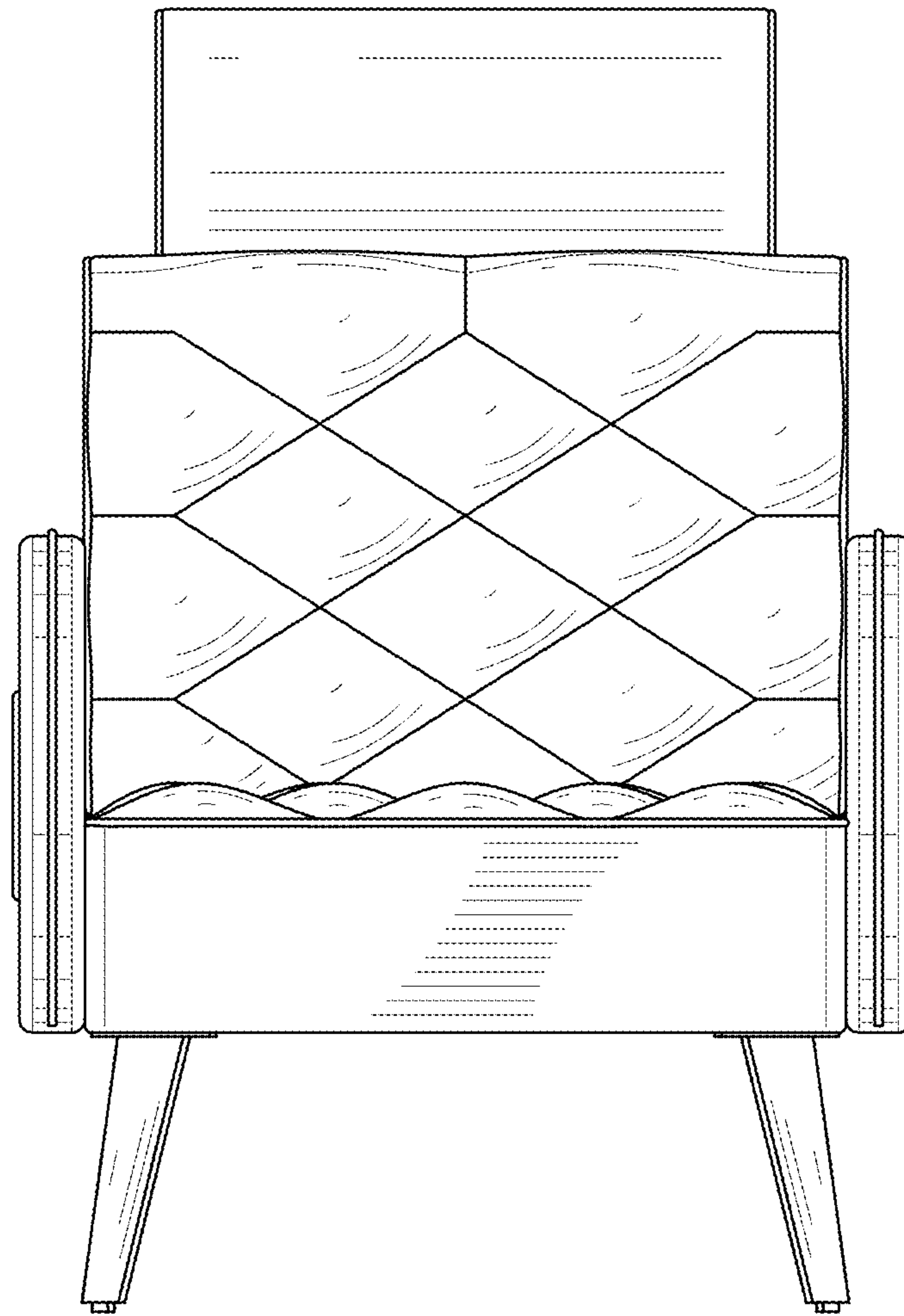


FIG. 2

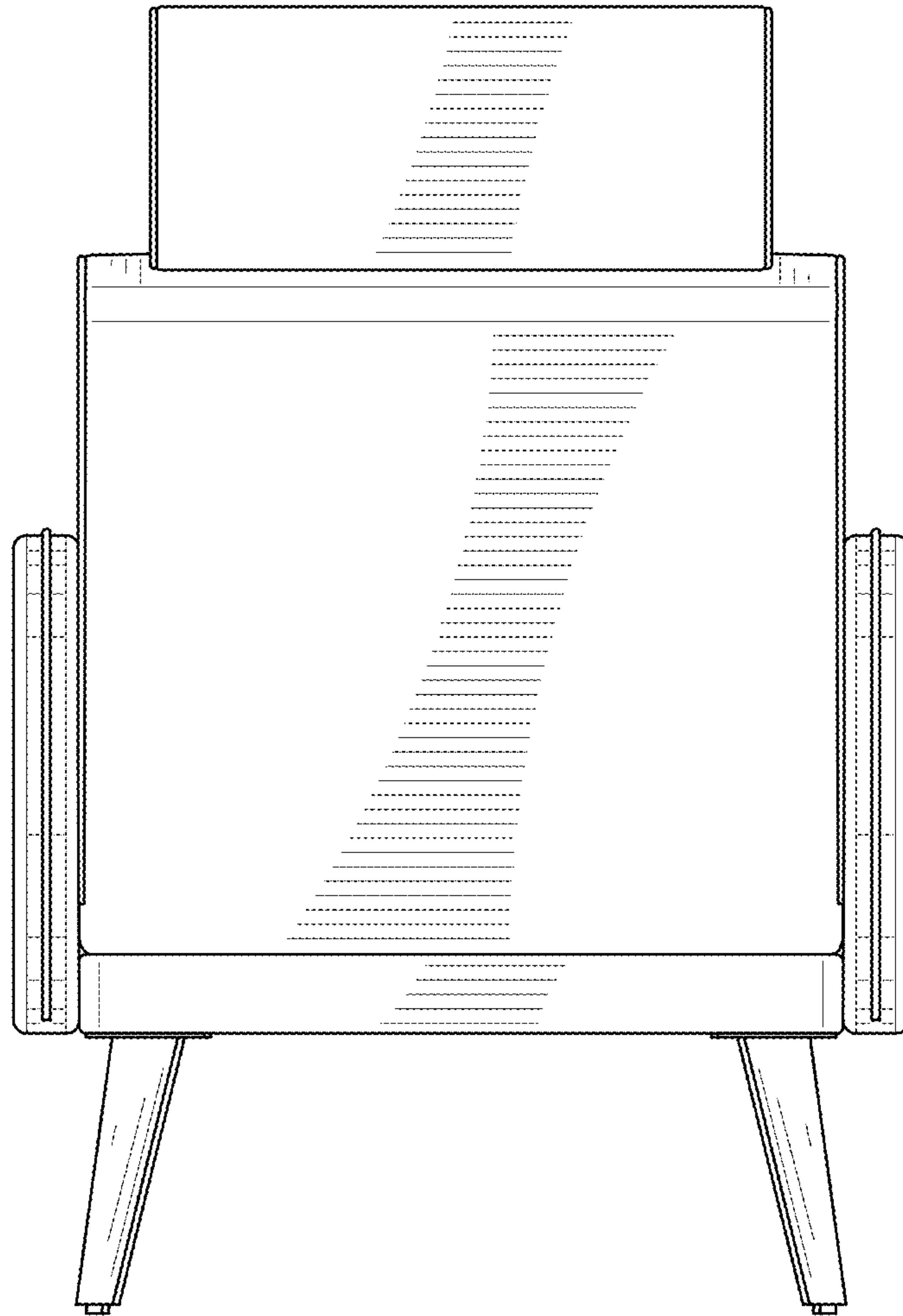


FIG. 3

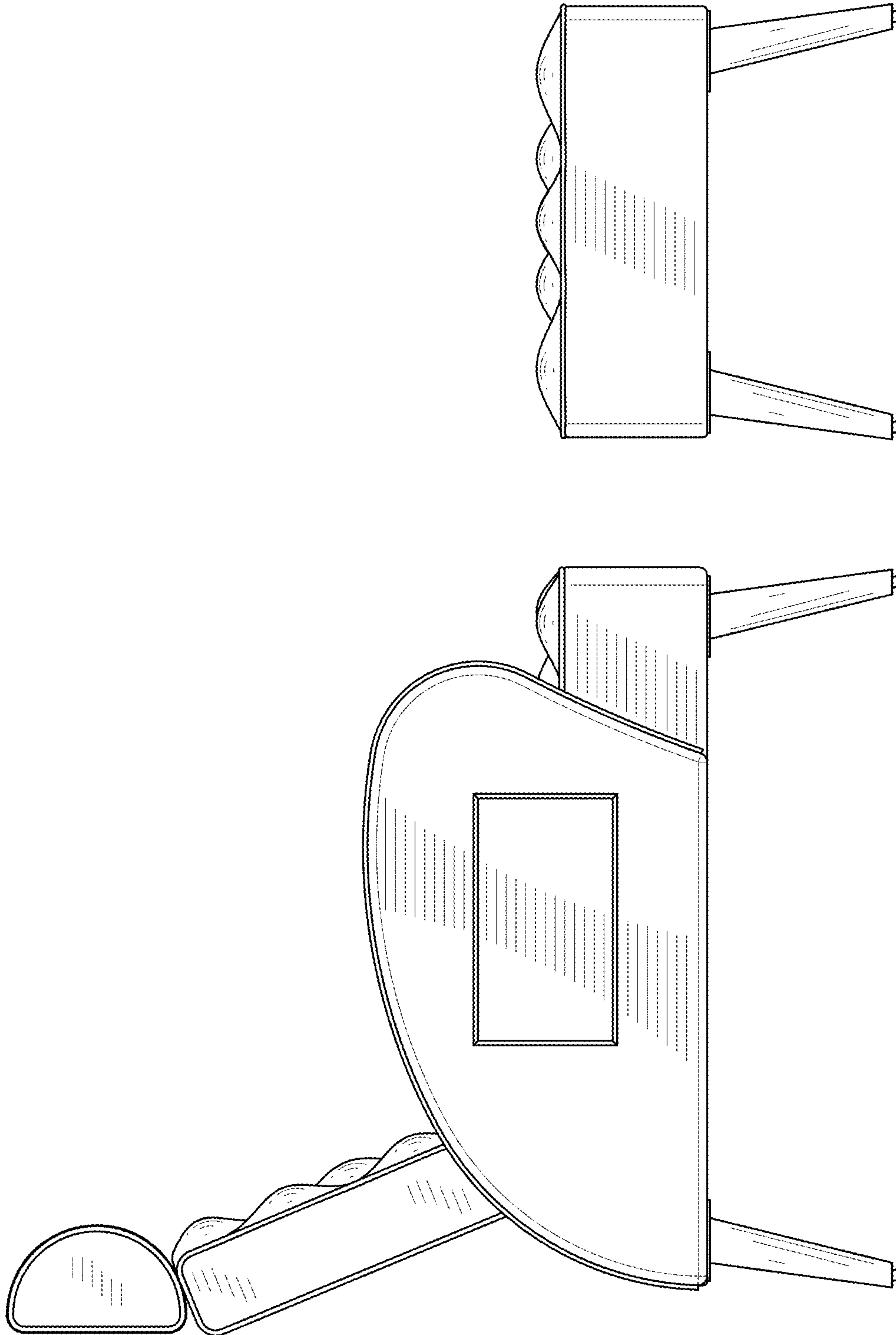


FIG. 4

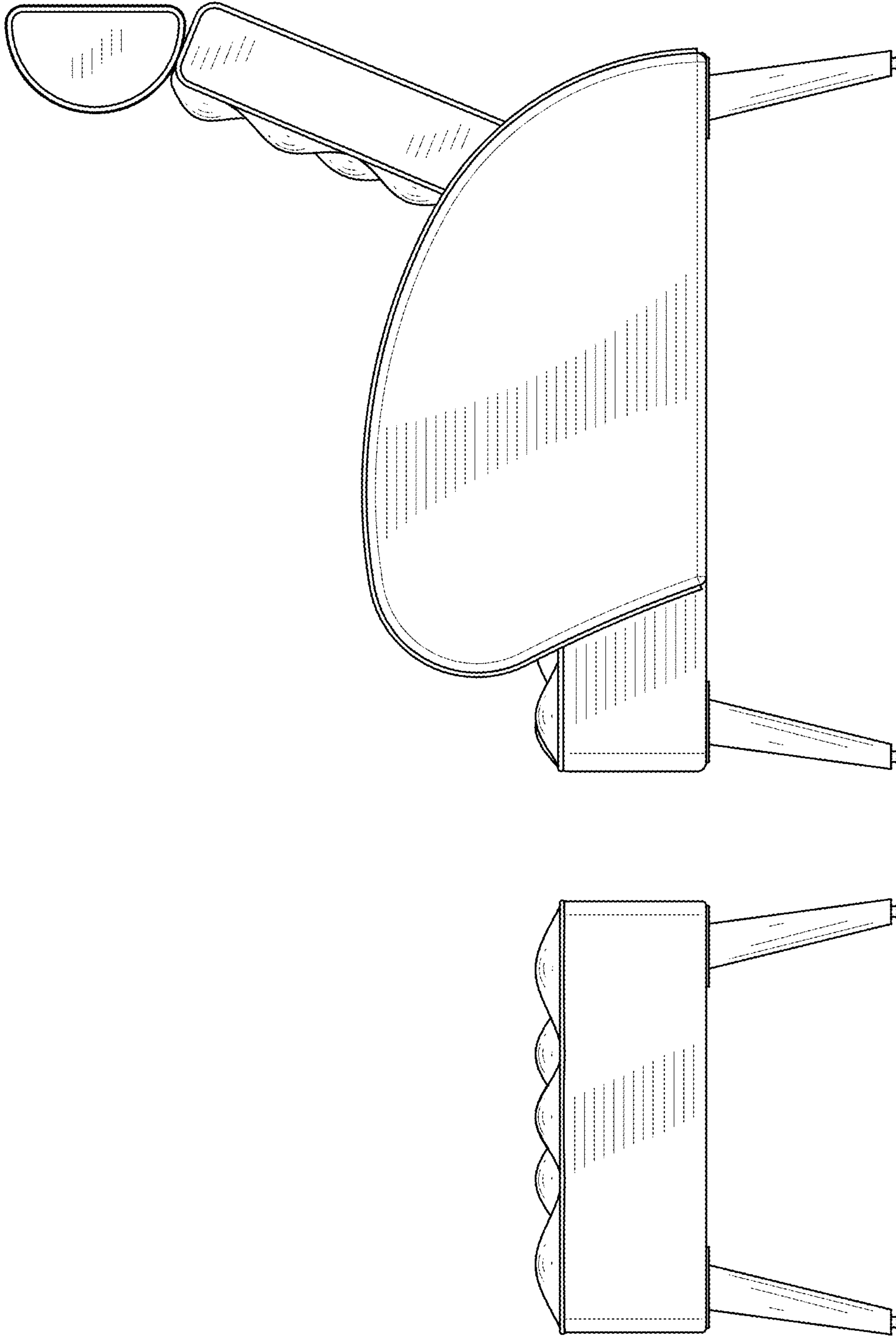


FIG. 5

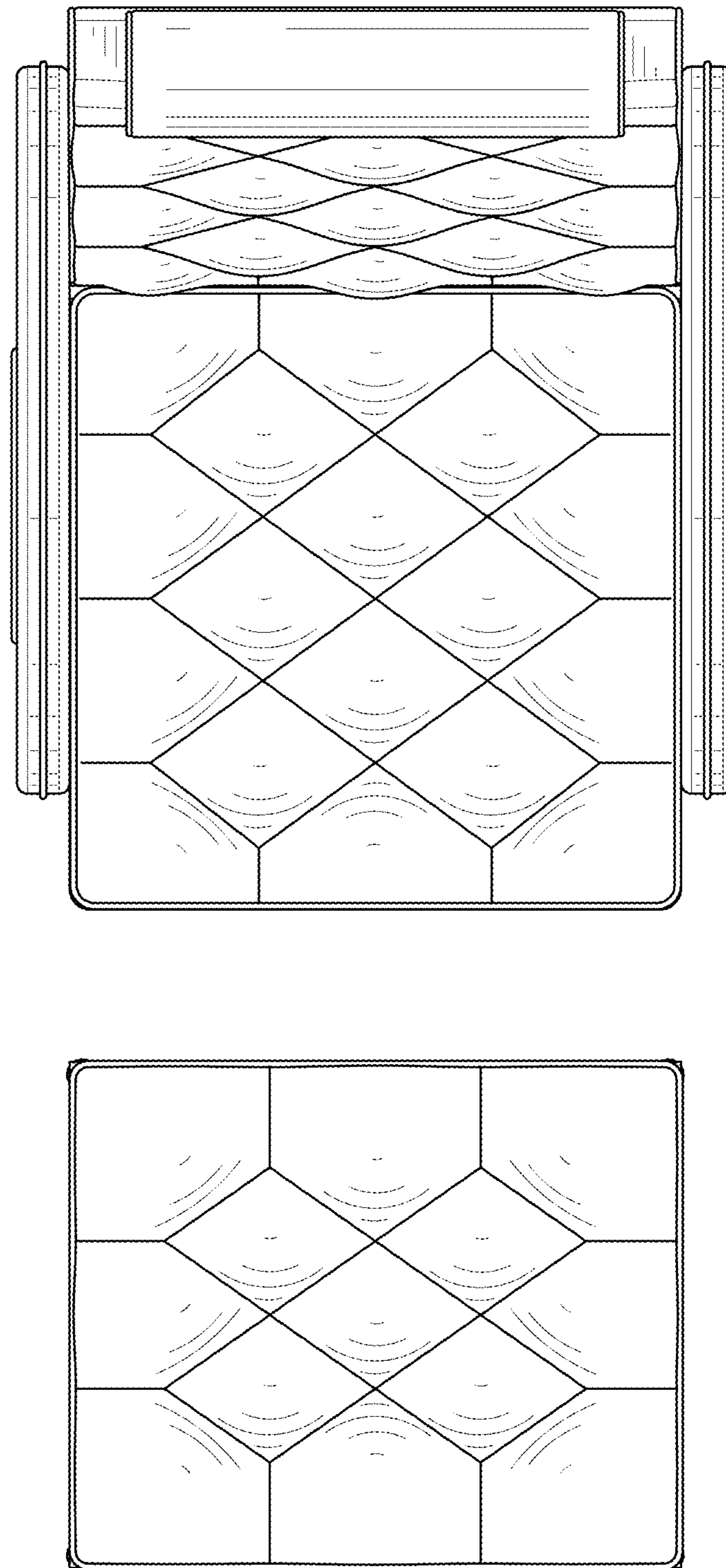


FIG. 6

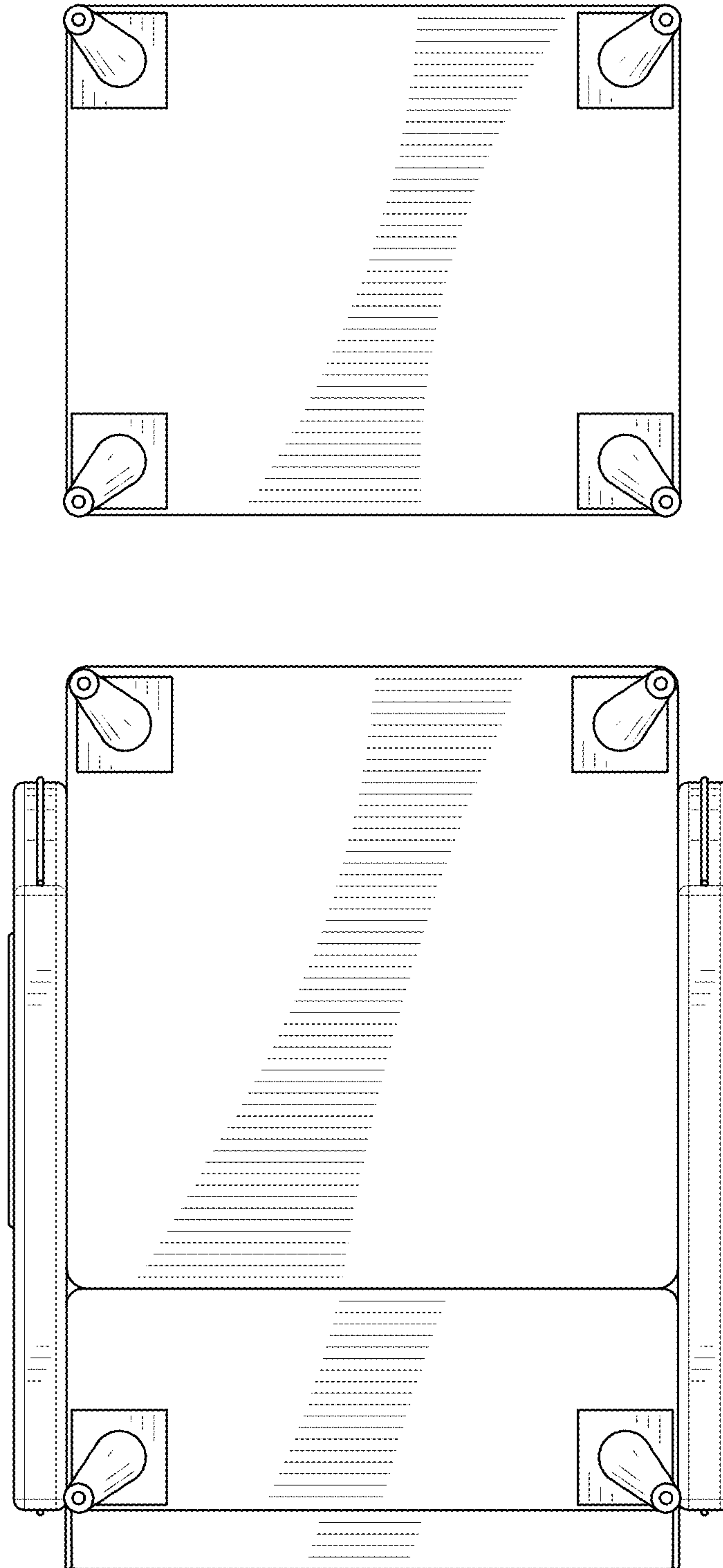


FIG. 7