



US00D988014S

(12) **United States Design Patent** (10) **Patent No.:** **US D988,014 S**
Zhang (45) **Date of Patent:** **** Jun. 6, 2023**

(54) **HOOK ON CHAIR**
(71) Applicant: **Hongzhu Zhang**, Ganzhou (CN)
(72) Inventor: **Hongzhu Zhang**, Ganzhou (CN)
(**) Term: **15 Years**
(21) Appl. No.: **29/886,230**
(22) Filed: **Mar. 7, 2023**
(51) **LOC (14) Cl.** **06-01**
(52) **U.S. Cl.**
USPC **D6/339**
(58) **Field of Classification Search**
USPC D6/333, 334, 335, 336, 338, 339
CPC A47D 1/106; A47D 1/006; A47D 1/008;
A47D 1/10; A47D 3/00
See application file for complete search history.

(56) **References Cited**
U.S. PATENT DOCUMENTS
4,322,110 A * 3/1982 Simmons A47D 1/106
D6/333
4,818,016 A * 4/1989 Mariol A47D 1/106
297/DIG. 2
4,863,216 A * 9/1989 Prescott A47D 1/106
297/134
D374,125 S * 10/1996 Bernstein A47D 1/106
D6/333
D383,911 S * 9/1997 Conforti D6/333
D419,311 S * 1/2000 Maggeni A47D 1/106
D6/333
D424,312 S * 5/2000 Hotaling D6/333
D427,822 S * 7/2000 Greger D6/707.16
D481,209 S * 10/2003 Chen D6/333
D613,081 S * 4/2010 Poran A47D 1/106
D6/339
8,678,491 B2 * 3/2014 Chen A47D 1/106
297/134
9,993,090 B2 * 6/2018 Hsu A47D 1/106
10,016,065 B1 * 7/2018 Vaishnav A47D 13/025

2003/0122408 A1 * 7/2003 Catelli A47D 1/106
297/135
2009/0243349 A1 * 10/2009 Flannery A47D 1/106
297/174 CS
2009/0273217 A1 * 11/2009 Flannery A47D 1/106
297/272.1
2012/0026000 A1 * 2/2012 Chen A47D 1/106
340/687
2017/0280890 A1 * 10/2017 Hsu A47D 1/106
2018/0140110 A1 * 5/2018 Xu A47D 1/106

OTHER PUBLICATIONS

Coplib Hook on Chair, amazon.com, <https://www.amazon.com/COPLIB-Fold-Flat-Attachable-Removable-Travel%EF%BC%8CGrey/dp/B0BDD21Z3T> (Year: 2022).
MTWML Hook On High Chair with Tray, amazon.com, https://www.amazon.com/Fold-Flat-Storage-Portable-Feeding-Toddler/dp/B081XHQBKF?ref_ast_sto_dp&th=1 (Year: 2020).*

* cited by examiner

Primary Examiner — Steven J Czyz

(74) *Attorney, Agent, or Firm* — Justin Lampel

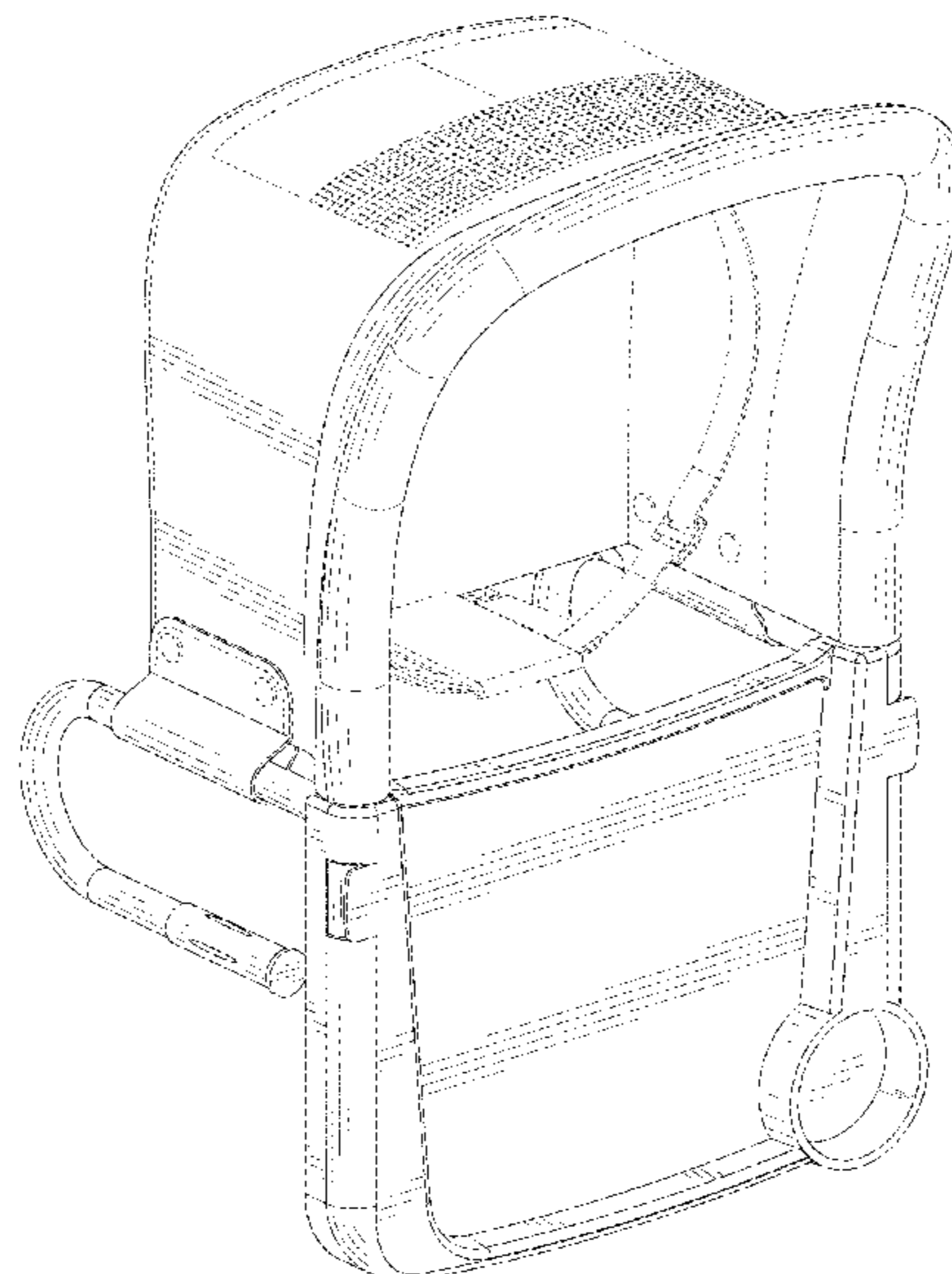
(57) **CLAIM**

The ornamental design for a hook on chair, as shown and described.

DESCRIPTION

FIG. 1 is a perspective view of a hook on chair showing the claimed design;
FIG. 2 is another perspective view thereof;
FIG. 3 is a front elevational view thereof;
FIG. 4 is a rear elevational view thereof;
FIG. 5 is a left side view thereof;
FIG. 6 is a right side view thereof;
FIG. 7 is a top plan view thereof; and,
FIG. 8 is a bottom plan view thereof.
The broken lines depict portions of the hook on chair that form no part of the claimed design.

1 Claim, 8 Drawing Sheets



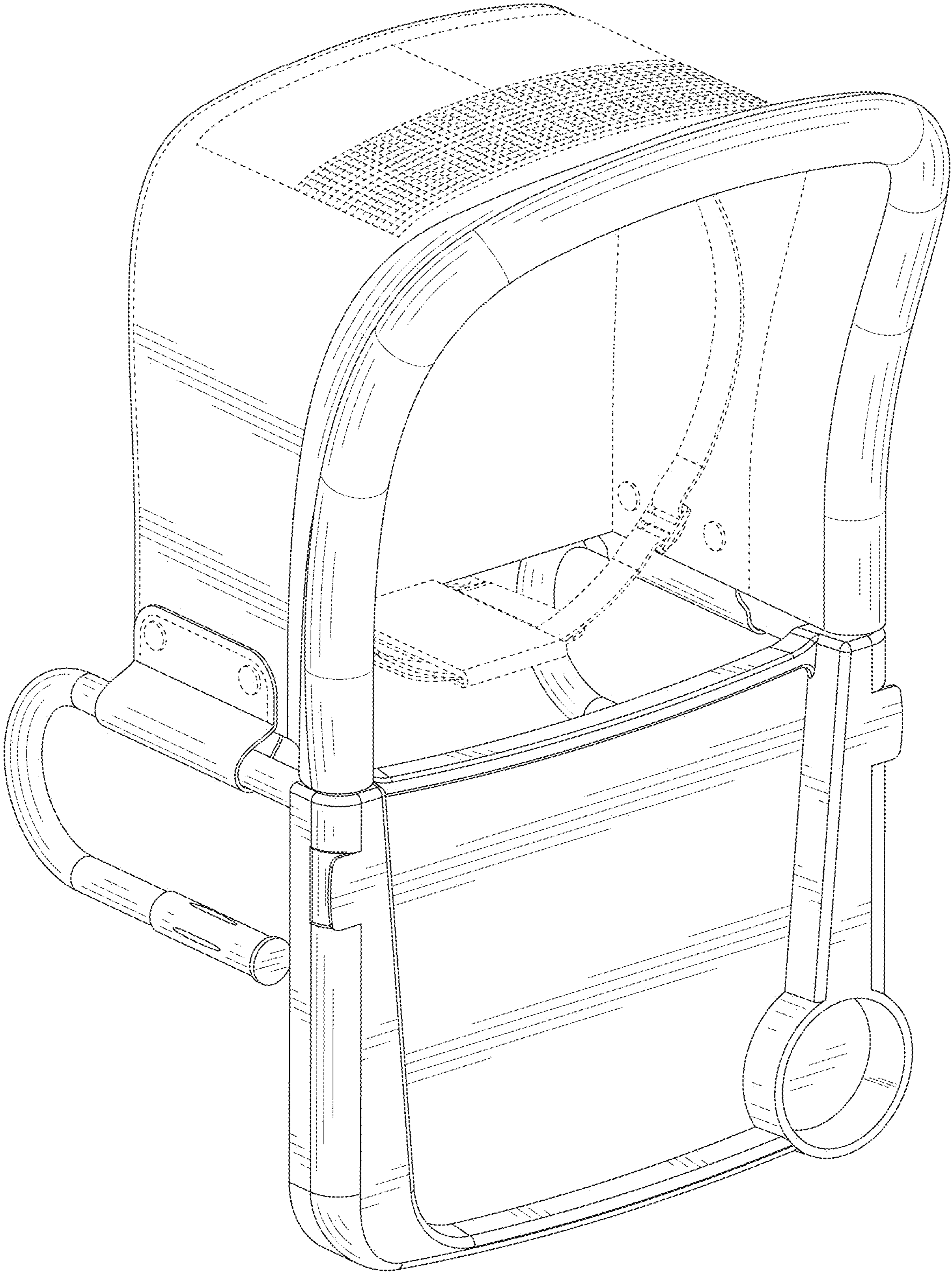


FIG. 1

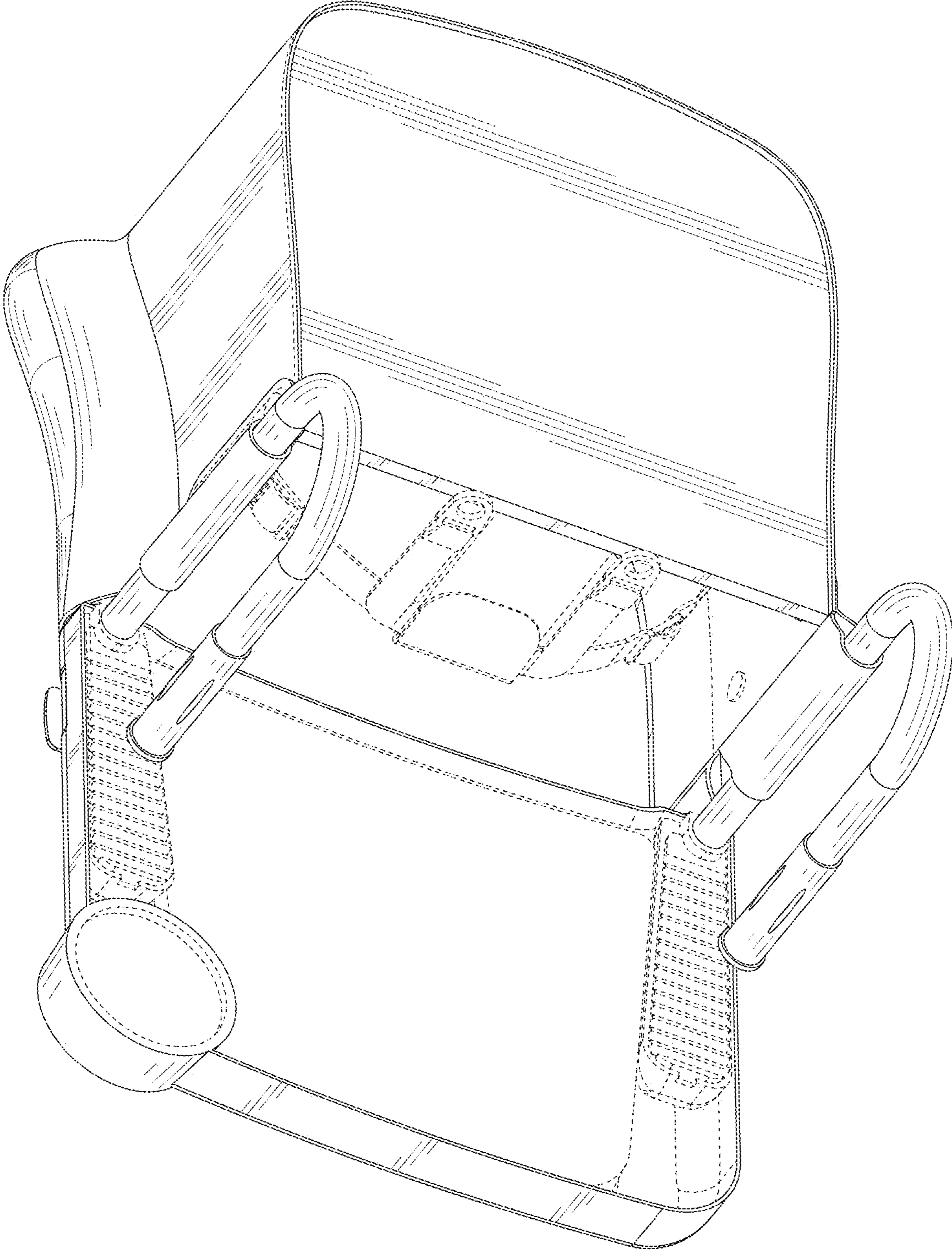


FIG. 2

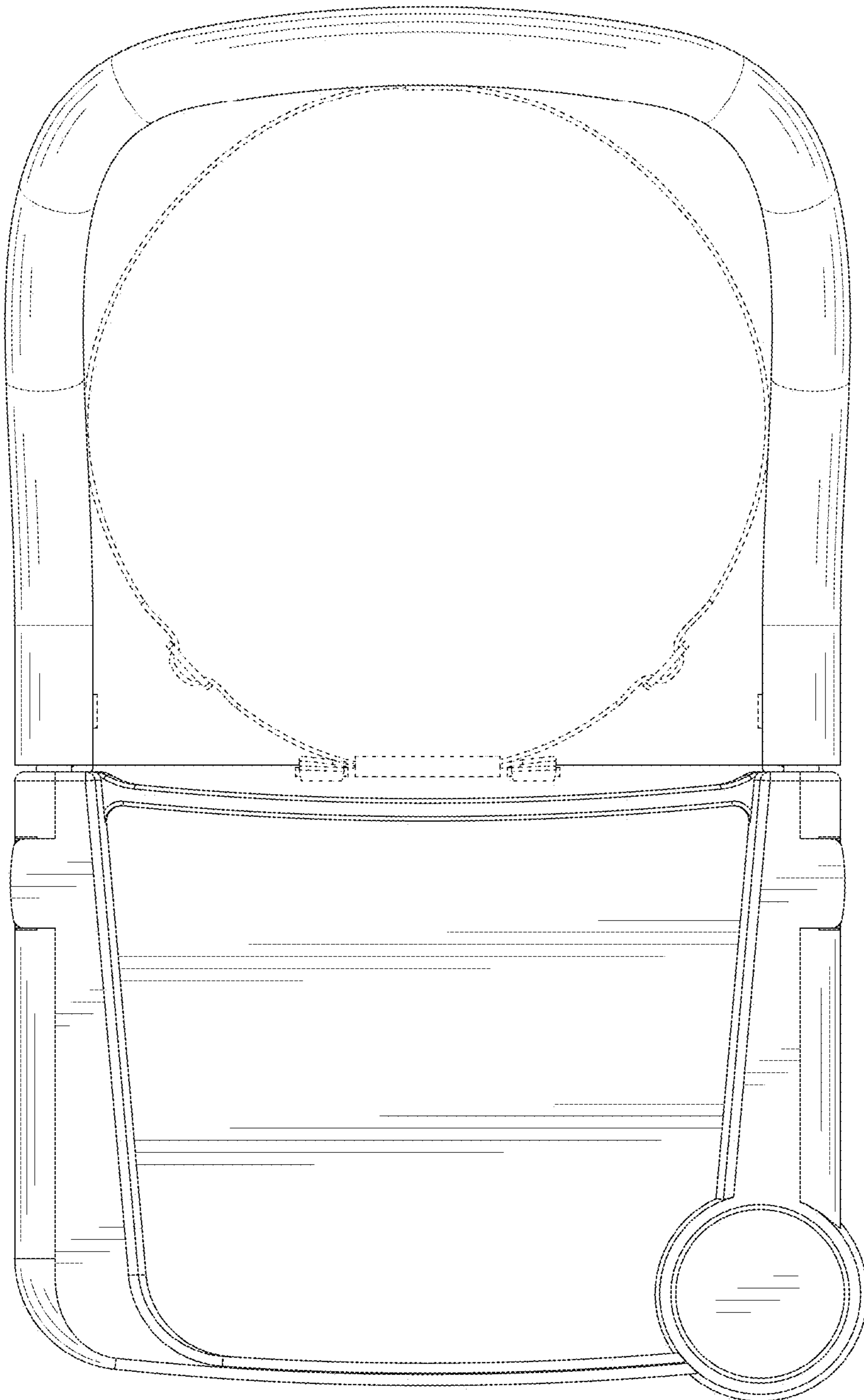


FIG. 3

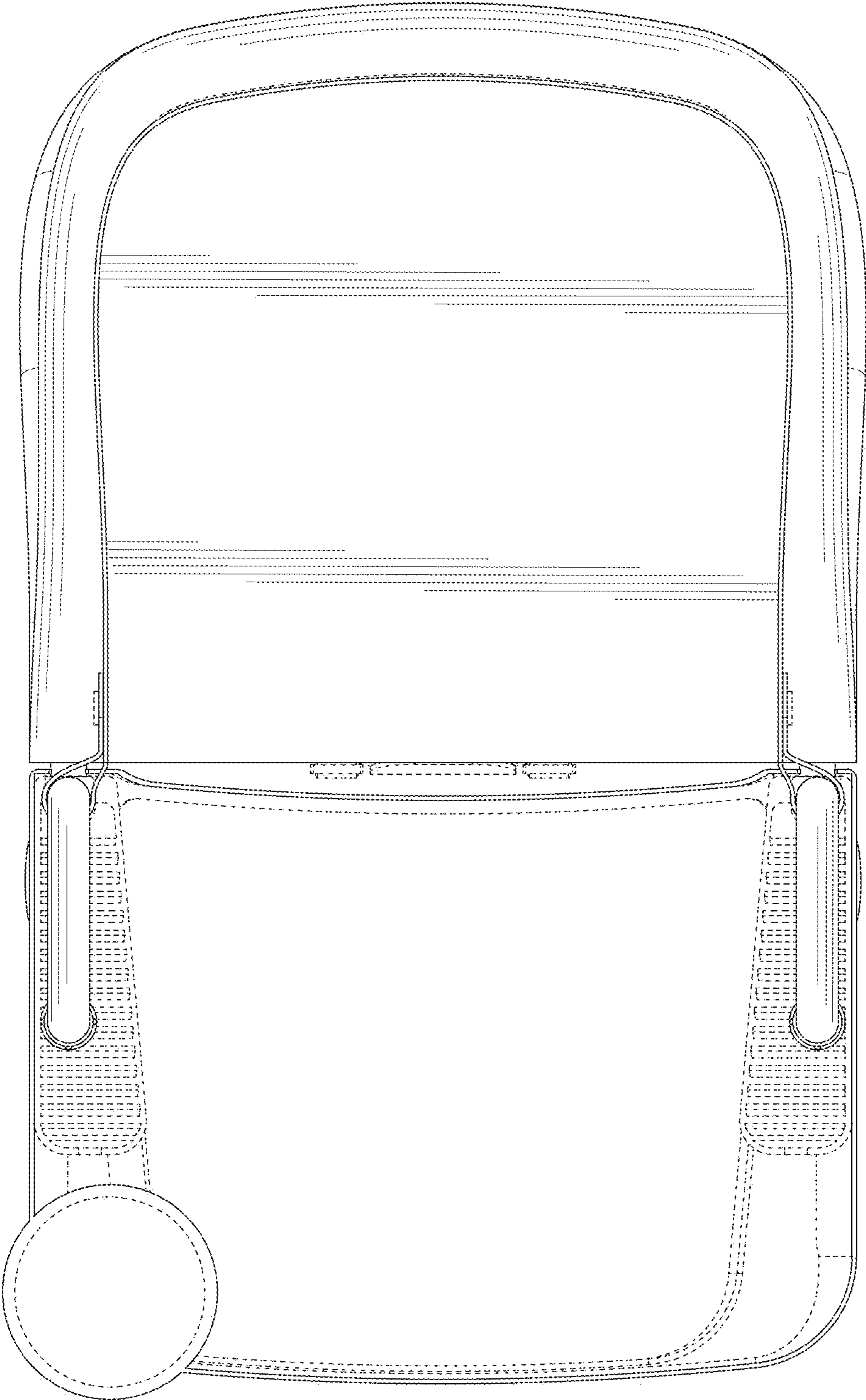


FIG. 4

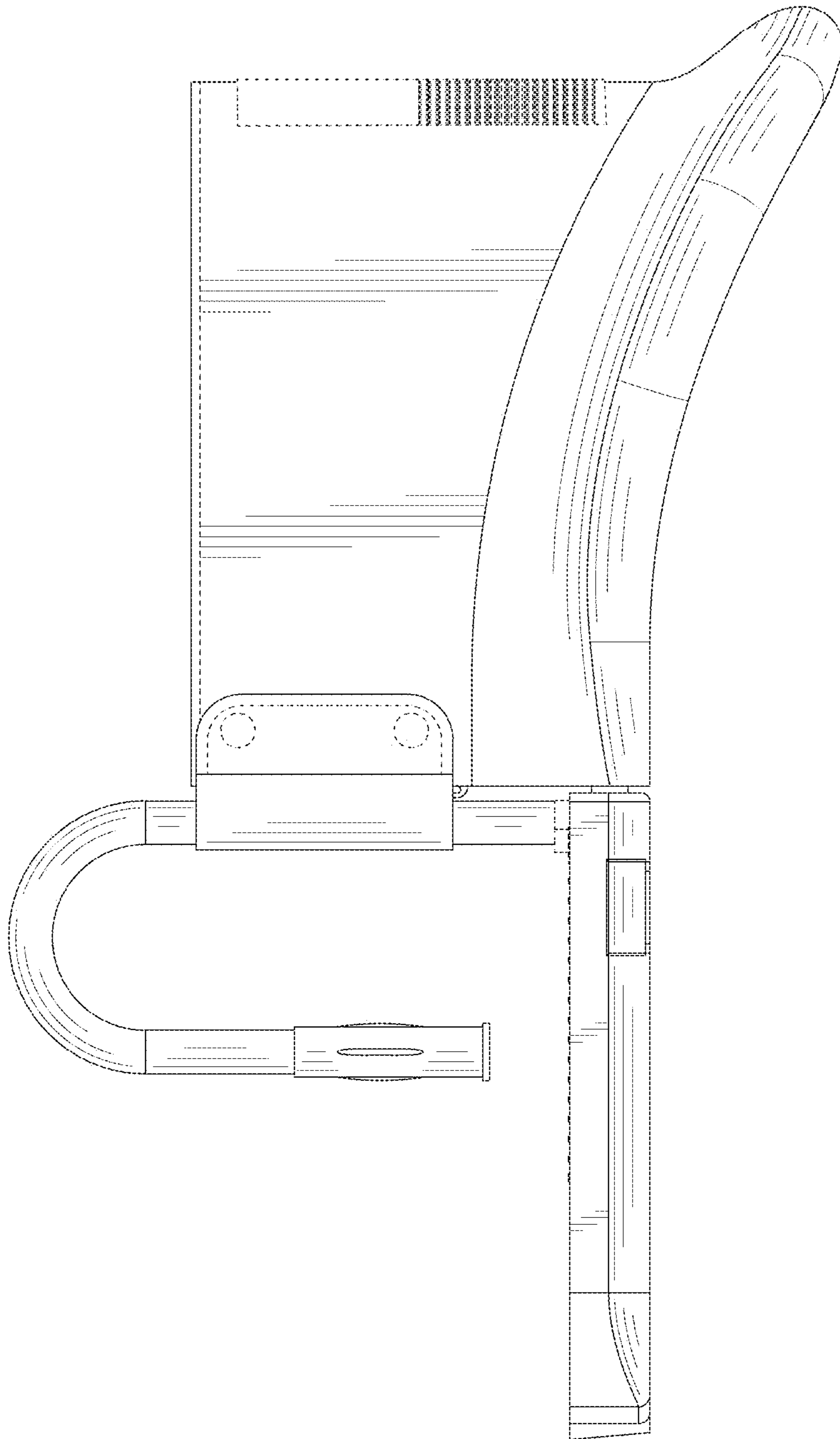


FIG. 5

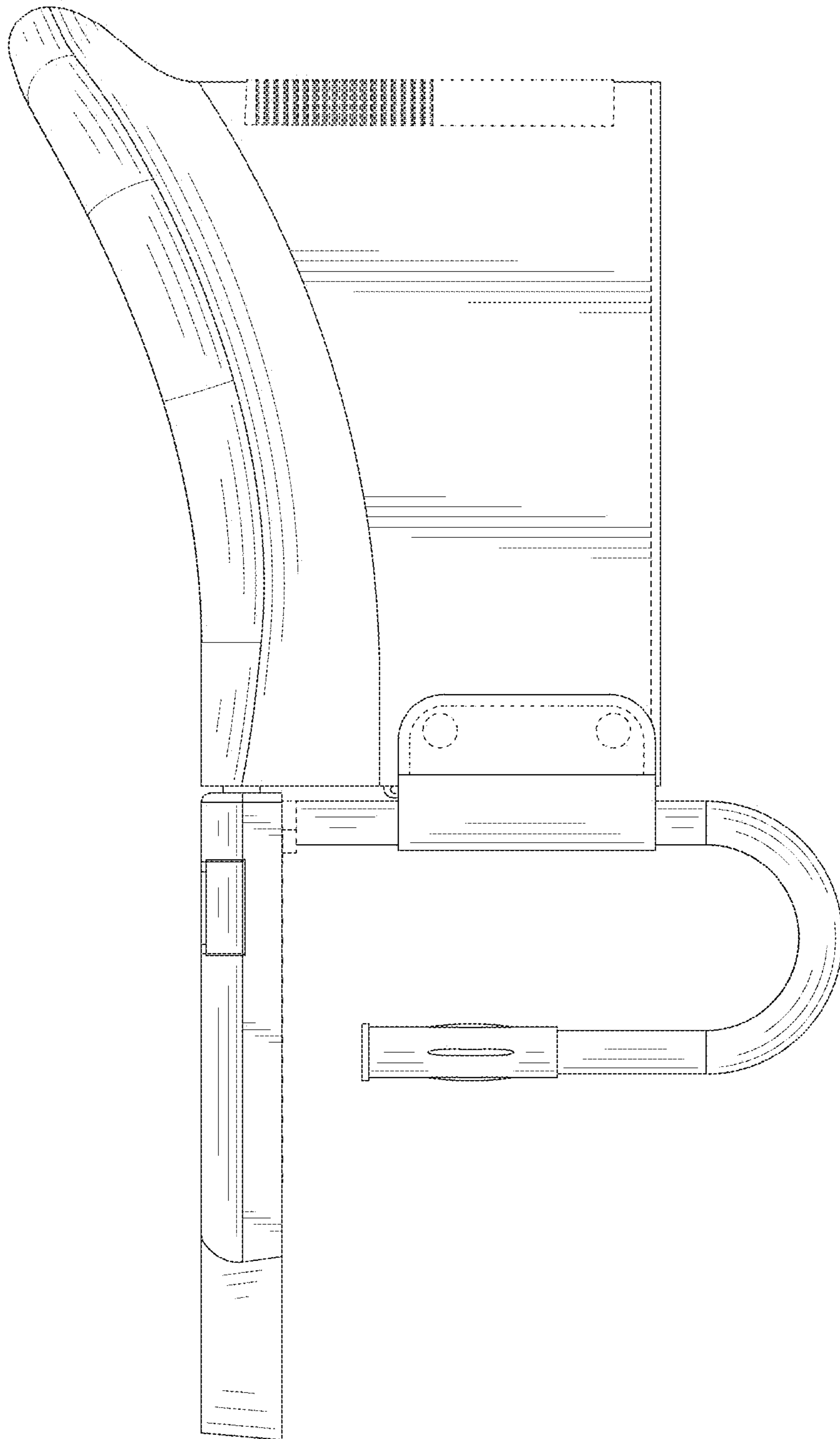


FIG. 6

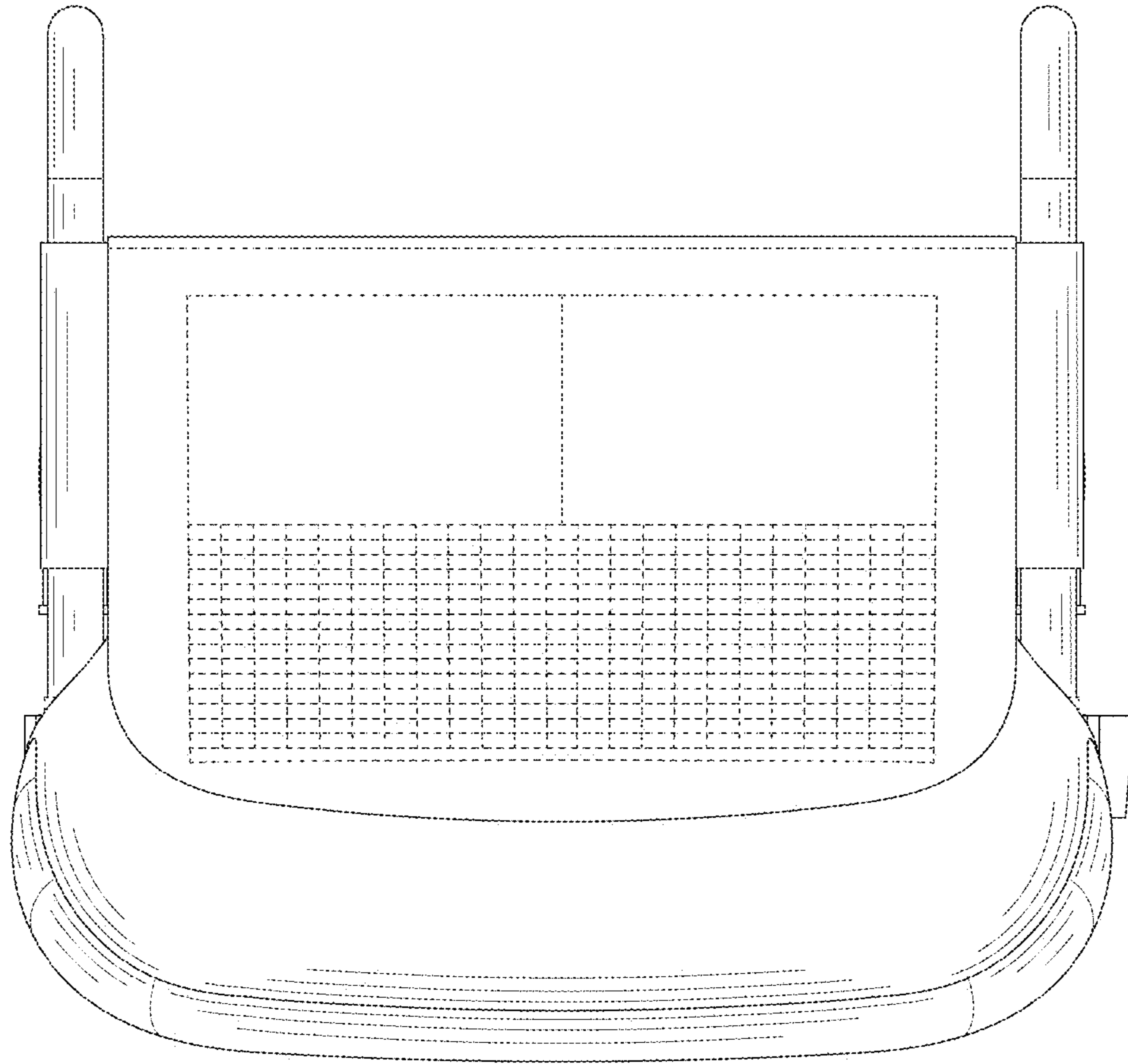


FIG. 7

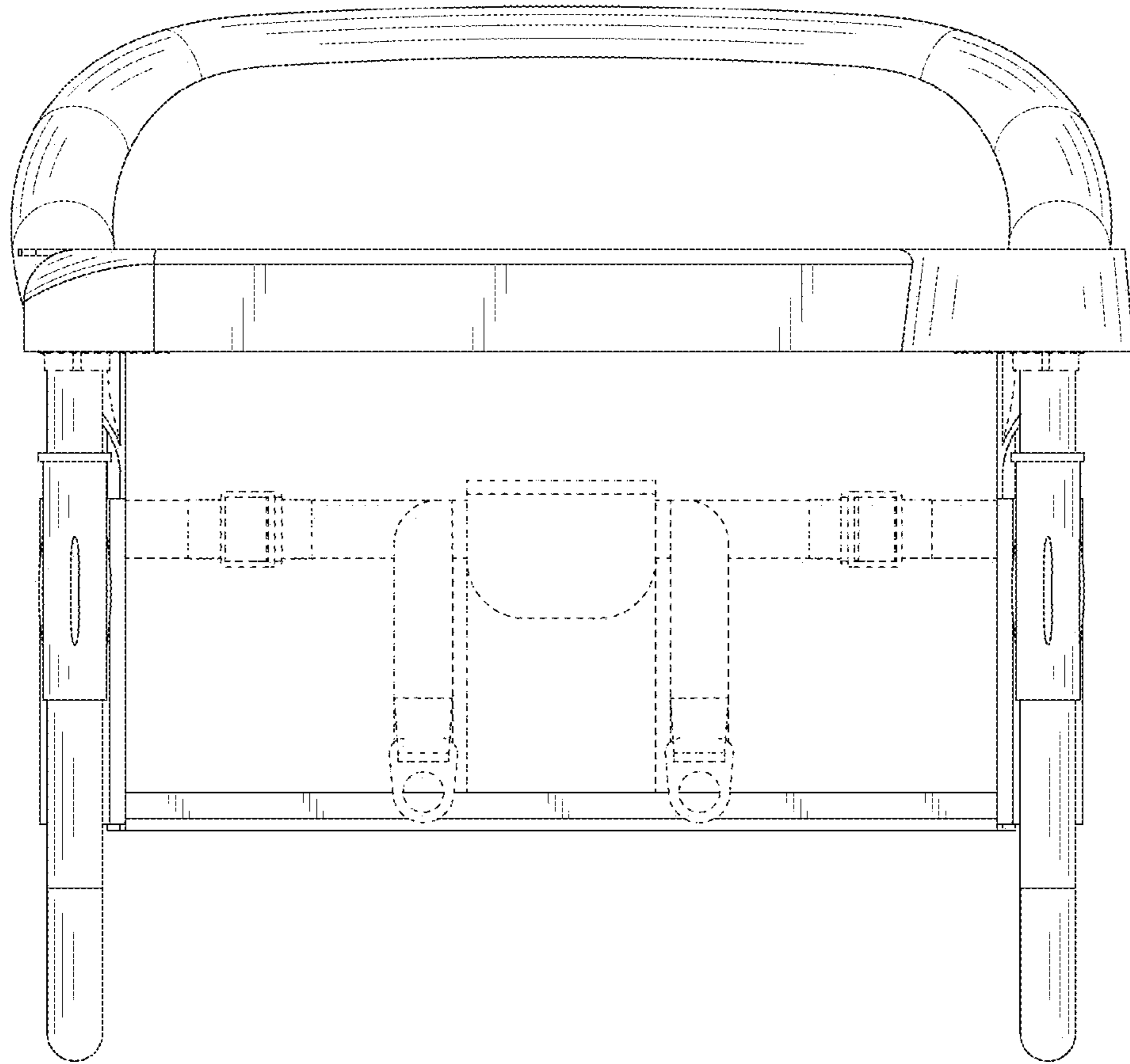


FIG. 8