



US00D988012S

(12) **United States Design Patent**
Xu

(10) **Patent No.:** **US D988,012 S**

(45) **Date of Patent:** **** Jun. 6, 2023**

(54) **PHOTO FRAME**

(71) Applicant: **Ningbo Beilun Jiayao Plastic Products Co., Ltd., Ningbo (CN)**

(72) Inventor: **Jiahong Xu, Ningbo (CN)**

(**) Term: **15 Years**

(21) Appl. No.: **29/882,104**

(22) Filed: **Jan. 11, 2023**

(51) **LOC (14) Cl.** **06-07**

(52) **U.S. Cl.**
USPC **D6/302**

(58) **Field of Classification Search**
USPC D6/300-314, 673, 682, 661, 672;
D19/95, 97; D21/567, 568
CPC A47G 1/14; A47G 1/147; A47G 1/148
See application file for complete search history.

(56) **References Cited**

U.S. PATENT DOCUMENTS

D25,758 S *	7/1896	Bergner	D6/313
D90,226 S *	7/1933	Allen	D26/56
D109,046 S *	3/1938	Bohn	D6/308
D109,047 S *	3/1938	Bohn	D6/303
D142,885 S *	11/1945	McCrary	D6/303
D145,358 S *	8/1946	Mandl	D6/314
D146,530 S *	3/1947	Swartzmiller	D6/314
D147,046 S *	7/1947	Joelson	D6/302
D148,359 S *	1/1948	Joelson	D6/300
D157,405 S *	2/1950	Ott	D6/303
D252,437 S *	7/1979	Cohen	D6/302
D261,846 S *	11/1981	Ferguson	D6/310
D305,483 S *	1/1990	Hsu	D6/310
D339,920 S *	10/1993	Hampshire	D6/300
D352,176 S *	11/1994	McMillan	D6/310
5,365,683 A *	11/1994	Borja	A47G 1/14 40/781
D361,455 S *	8/1995	Eason	D6/303
D367,561 S *	3/1996	Kwan	D6/310

D371,911 S *	7/1996	Peterson	D6/303
D380,906 S *	7/1997	White	D6/303
D381,045 S *	7/1997	White	D20/19
D382,017 S *	8/1997	Bohr	D20/15
D395,554 S *	6/1998	Perkins, Jr.	D6/300
D396,562 S *	8/1998	Kenney	D6/300
D409,246 S *	5/1999	Fereday	D6/300
D417,554 S *	12/1999	Zaidman	D6/300
D423,796 S *	5/2000	Kwan	D6/300
6,151,822 A *	11/2000	Kenney	G09F 1/12 40/745
D446,027 S *	8/2001	LeFevre	D6/300
D461,654 S *	8/2002	Tamburello	D6/661

(Continued)

Primary Examiner — Deanna L Pratt

(74) *Attorney, Agent, or Firm* — Rumit Ranjit Kanakia

(57) **CLAIM**

The ornamental design for a photo frame, as shown and described.

DESCRIPTION

FIG. 1 is a top perspective view of a photo frame, showing my new design;

FIG. 2 is a bottom perspective view thereof;

FIG. 3 is a front elevational view thereof;

FIG. 4 is a rear elevational view thereof;

FIG. 5 is a left side view thereof;

FIG. 6 is a right side view thereof;

FIG. 7 is a top plan view thereof;

FIG. 8 is a bottom plan view thereof;

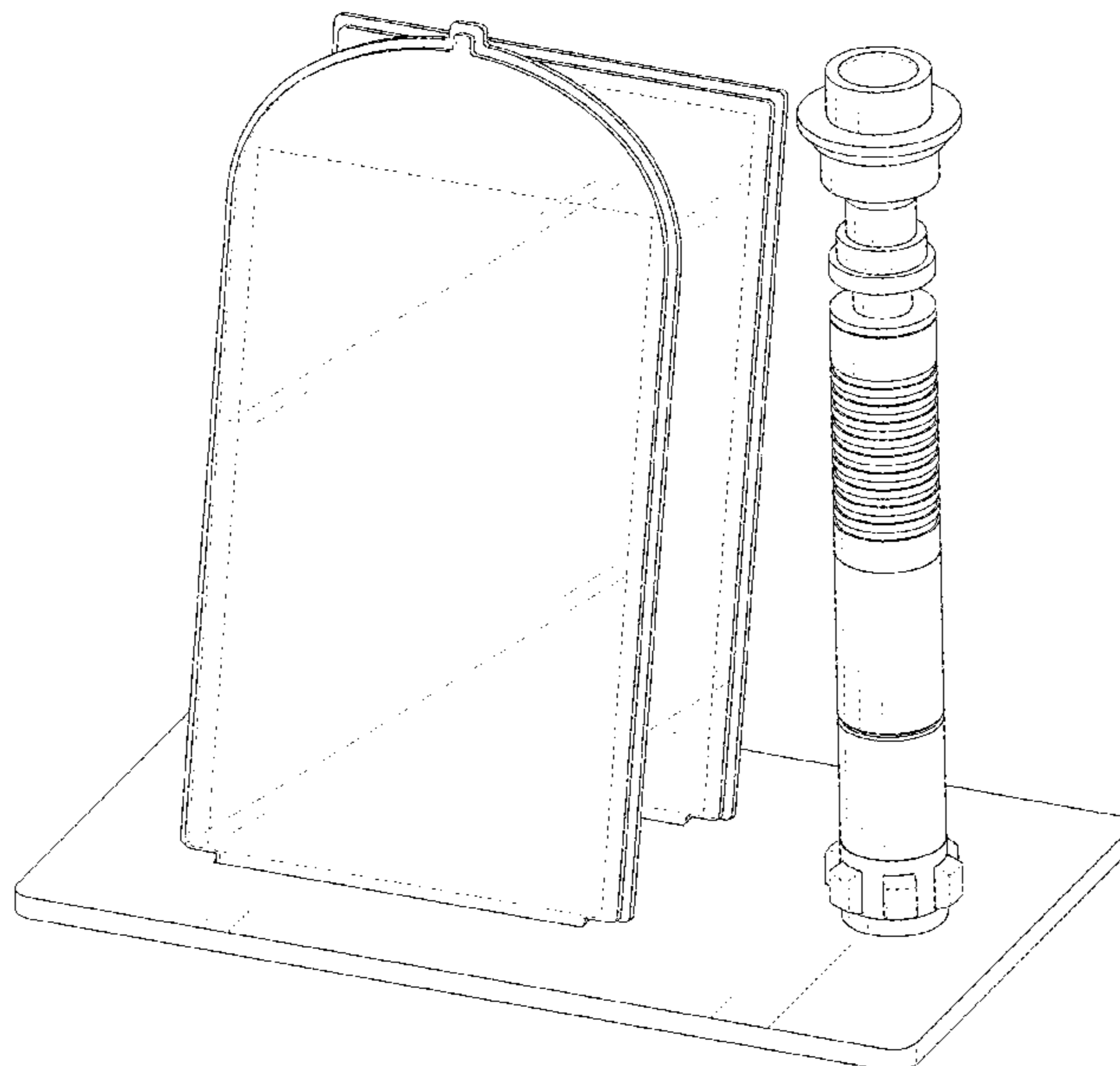
FIG. 9 is a partial enlarged view of FIG. 3;

FIG. 10 is a top perspective view of the photo frame in a second used state; and,

FIG. 11 is a bottom perspective view of the photo frame in a second used state.

The broken lines in FIG. 1 and FIG. 10 are for the purposes of illustrating portions of the photo frame, which form no part of the claimed design.

1 Claim, 11 Drawing Sheets



(56)

References Cited

U.S. PATENT DOCUMENTS

D489,096 S * 4/2004 Chen D19/75
D497,485 S * 10/2004 Resultan D6/300
D505,018 S * 5/2005 Stravitz D6/310
D552,357 S * 10/2007 Fu D10/2
D568,618 S * 5/2008 Harrington D6/310
D577,075 S * 9/2008 Bode D6/310
D651,812 S * 1/2012 Lee D14/371
D742,651 S 11/2015 Sands
D785,976 S * 5/2017 Hagerty D6/303
D899,108 S 10/2020 Chen
D908,371 S 1/2021 Wang
D908,372 S 1/2021 Wang
D909,078 S 2/2021 Wang
D942,761 S 2/2022 Wang
D945,191 S * 3/2022 Teng D14/252
D952,360 S 5/2022 Zhao
D959,157 S 8/2022 Peng
D961,943 S 8/2022 Chen
D965,308 S 10/2022 Chen

* cited by examiner

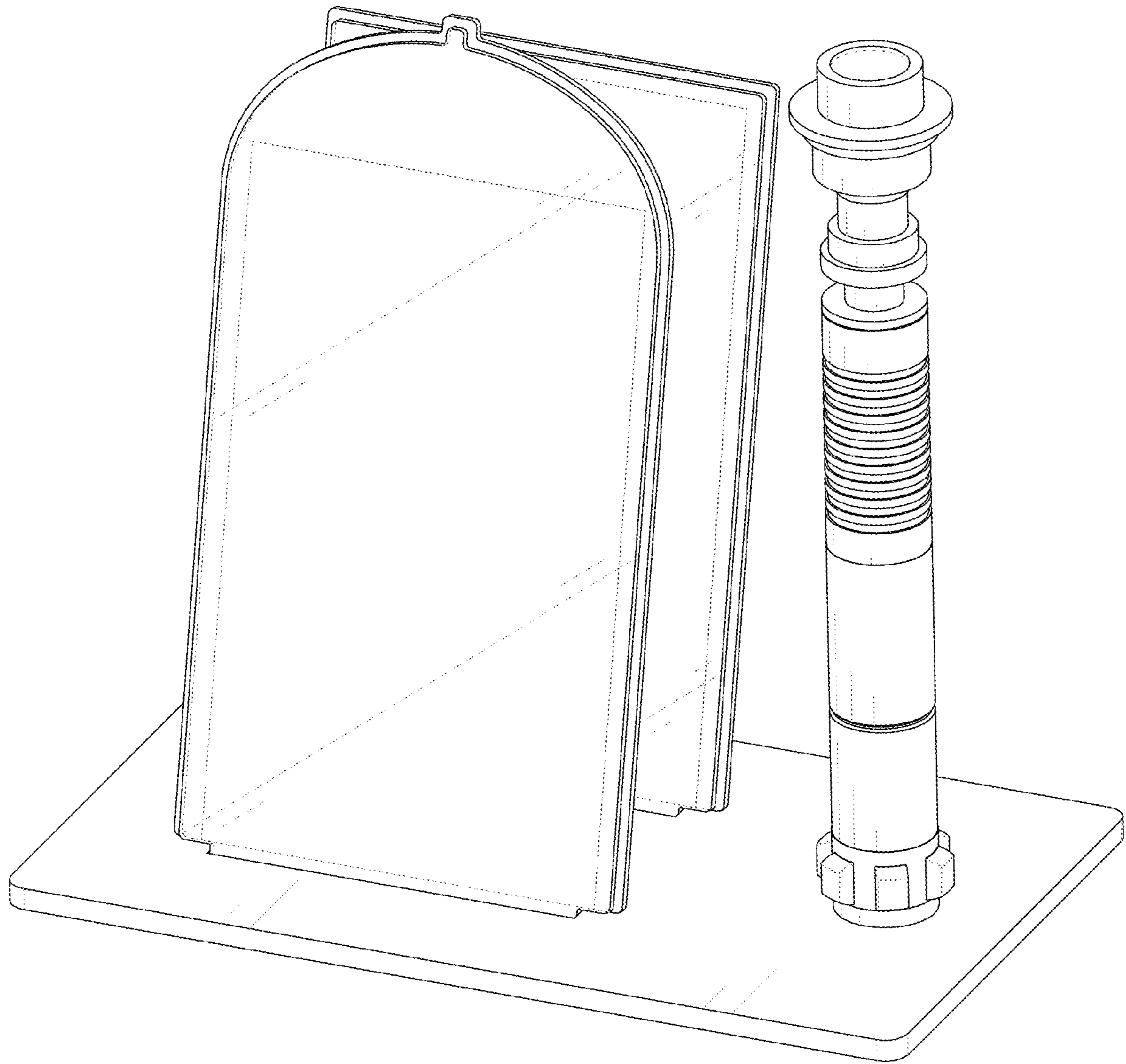


FIG. 1

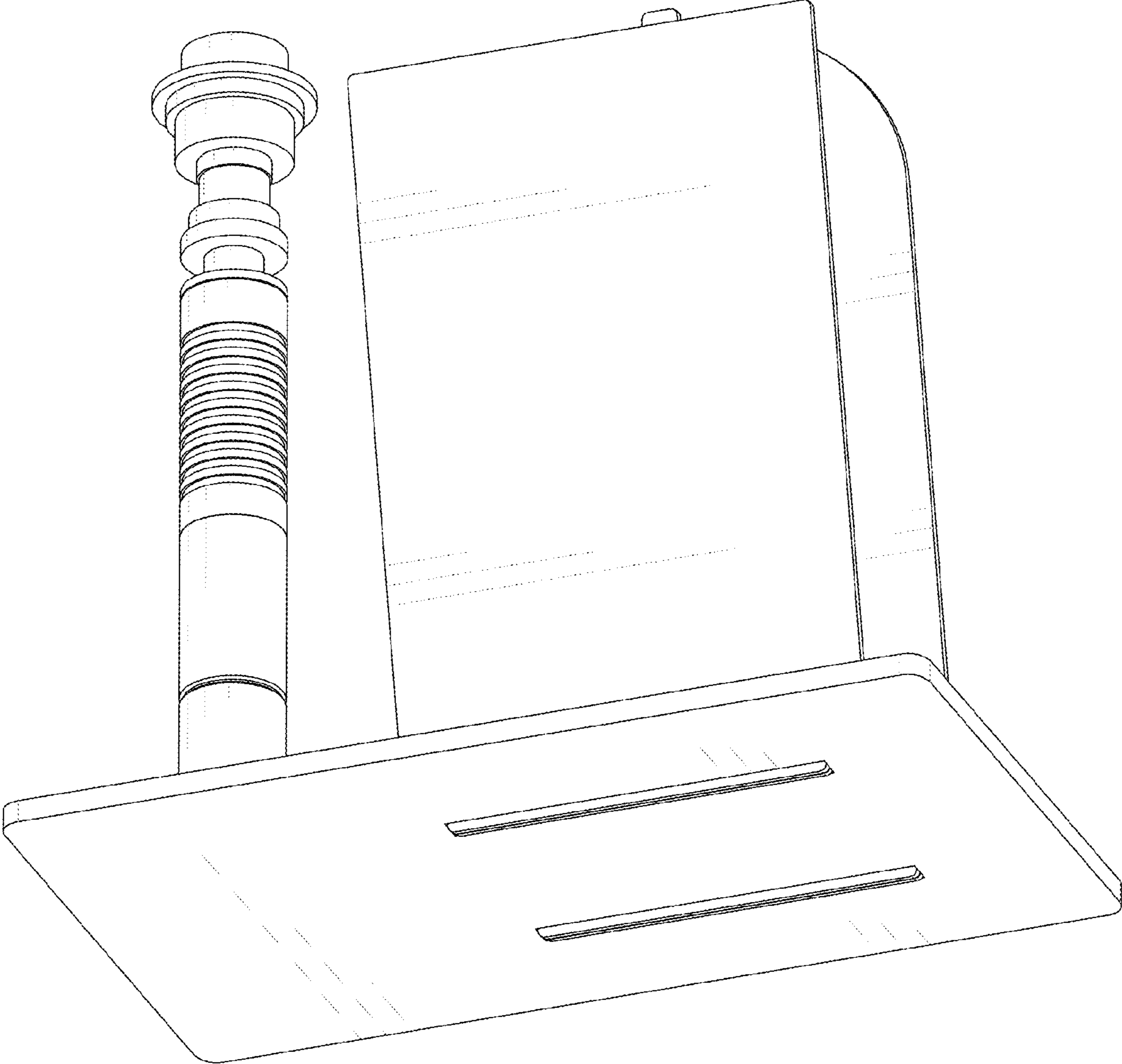


FIG. 2

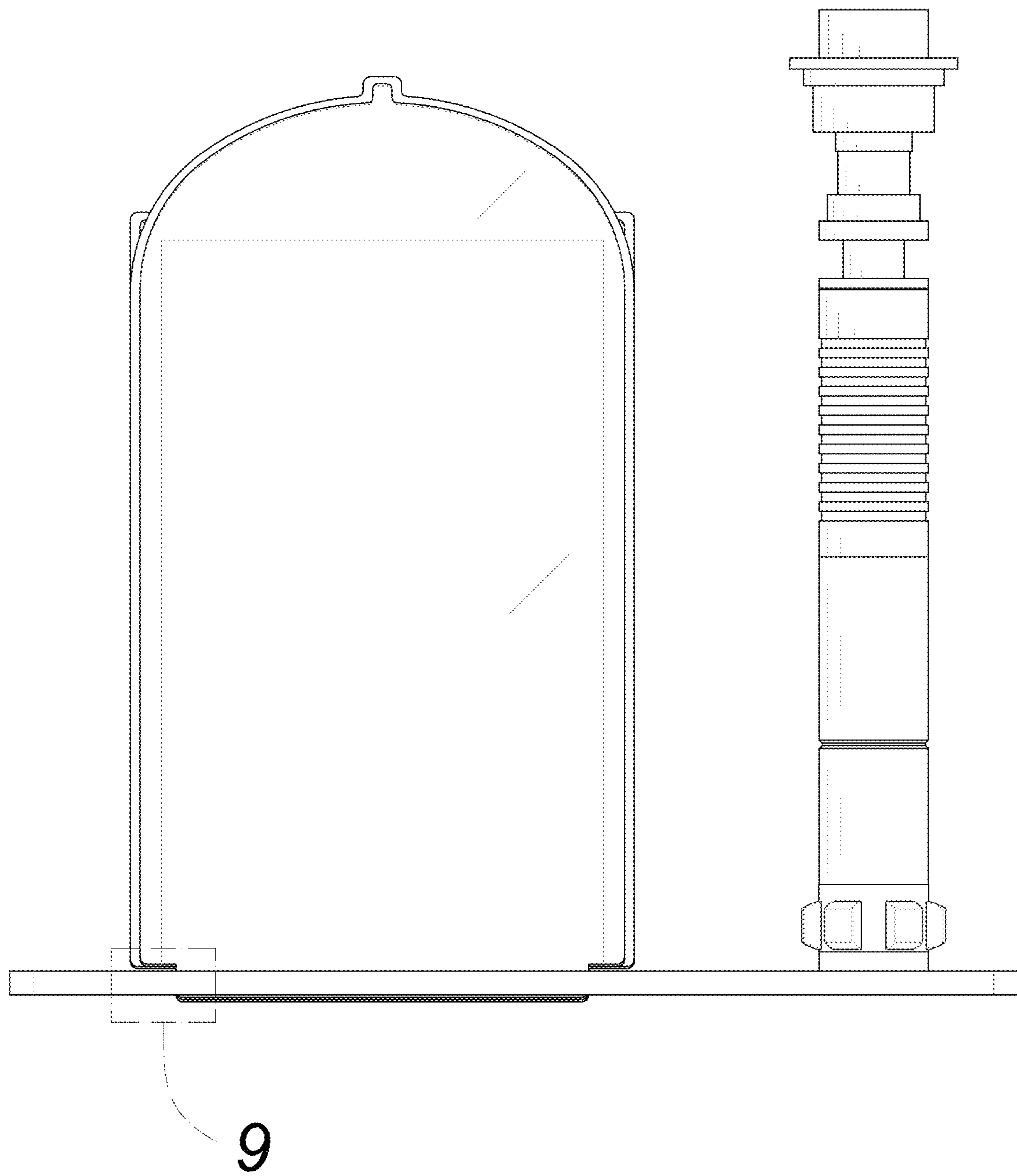


FIG. 3

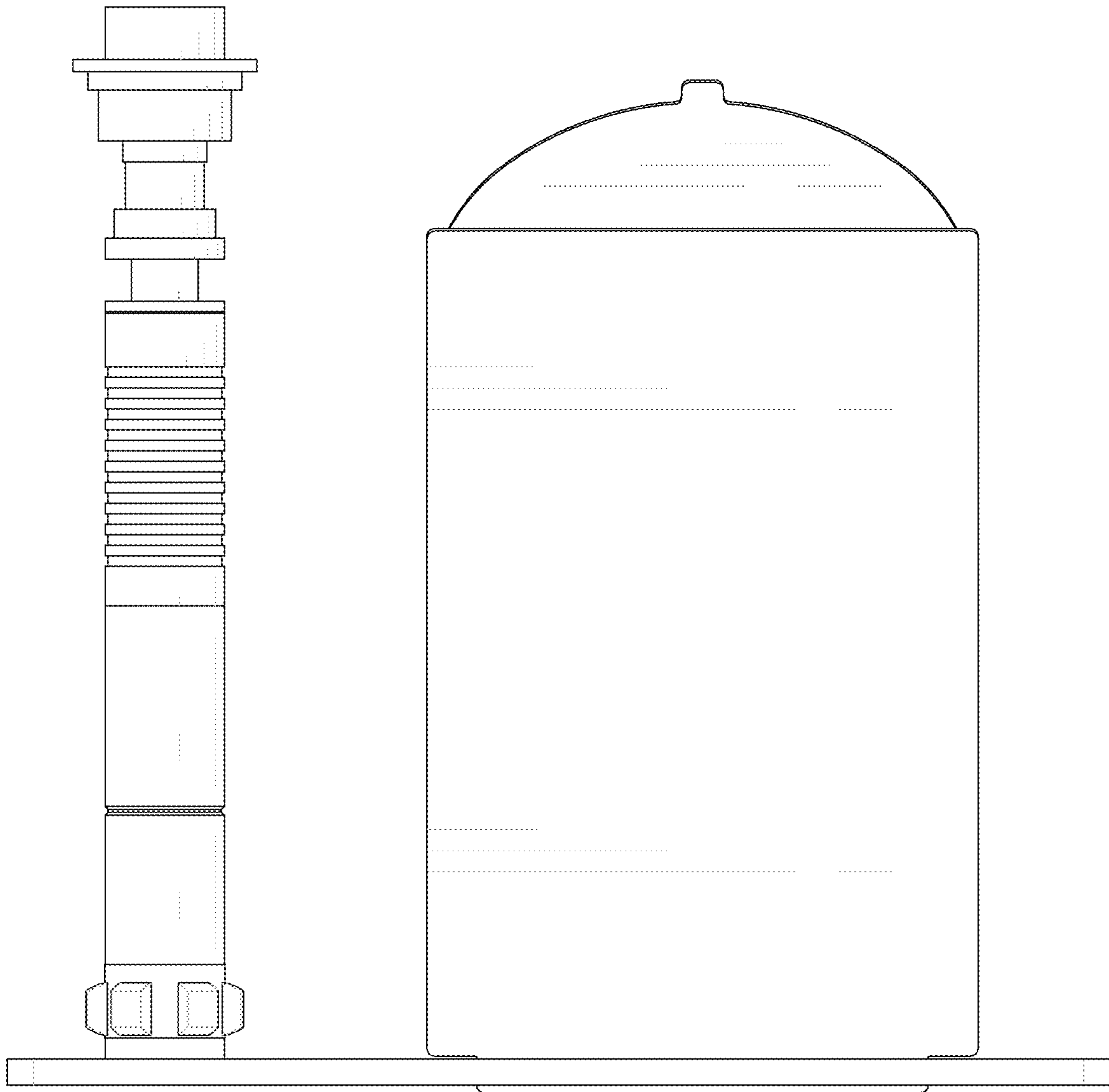


FIG. 4

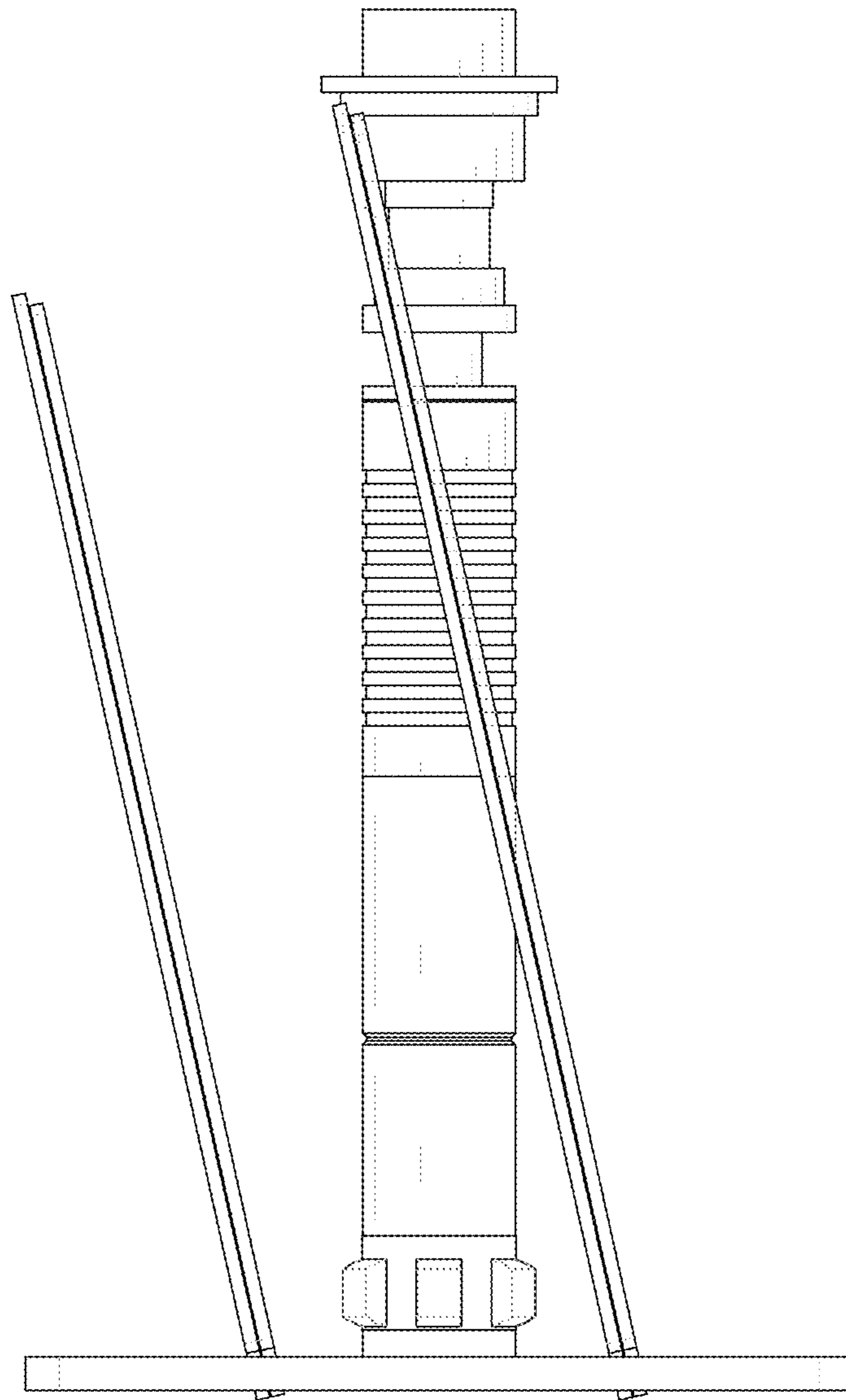


FIG. 5

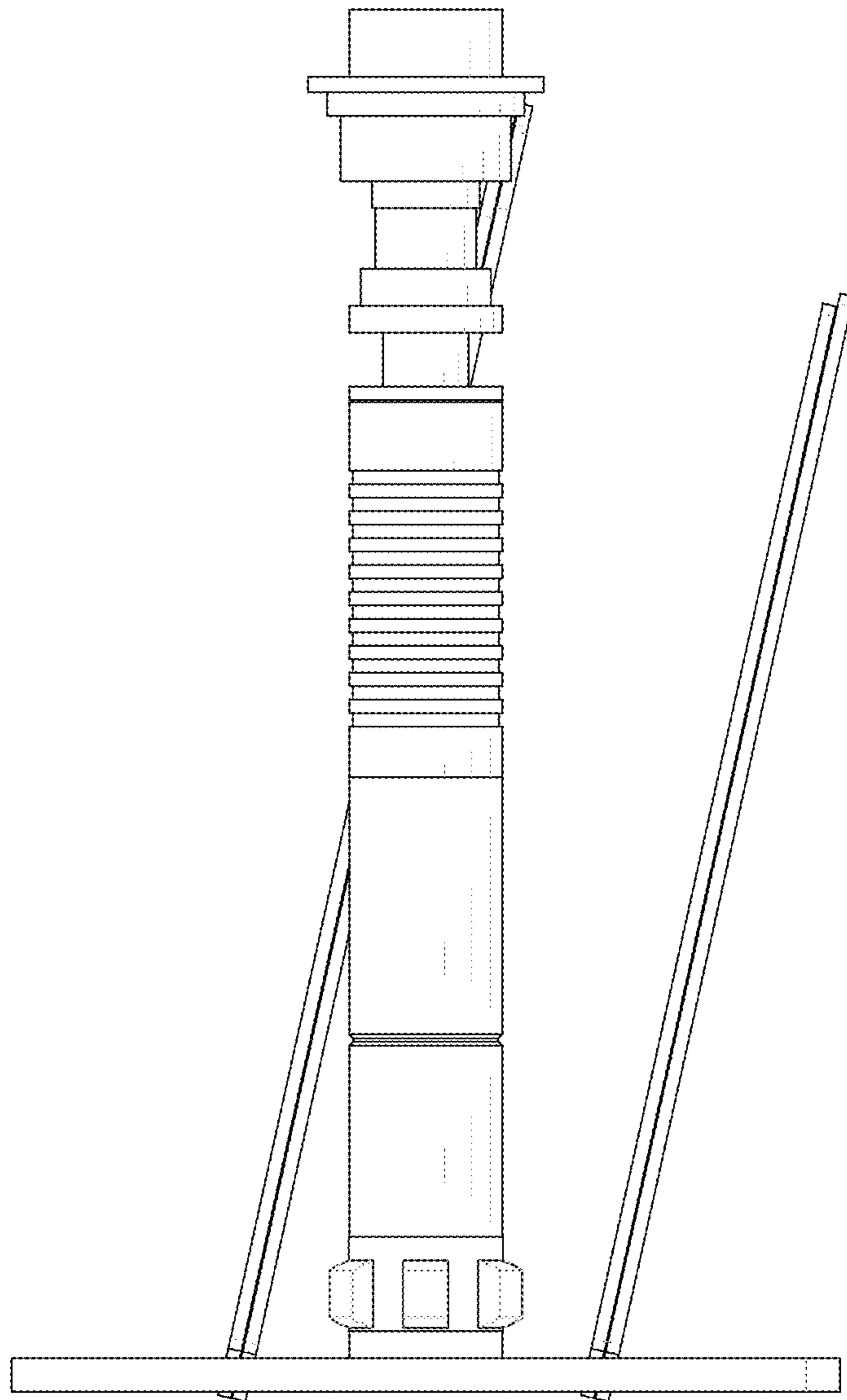


FIG. 6

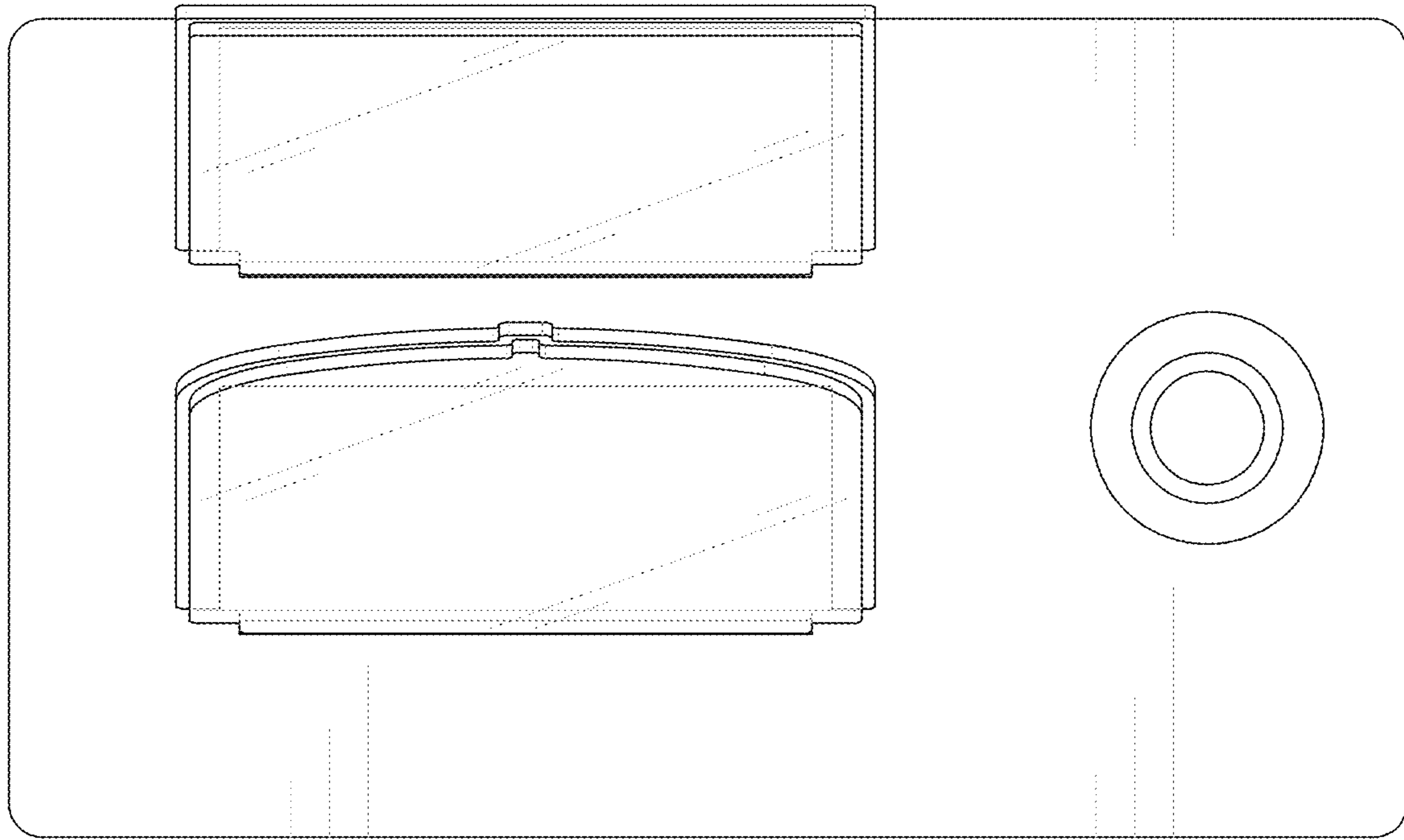


FIG. 7

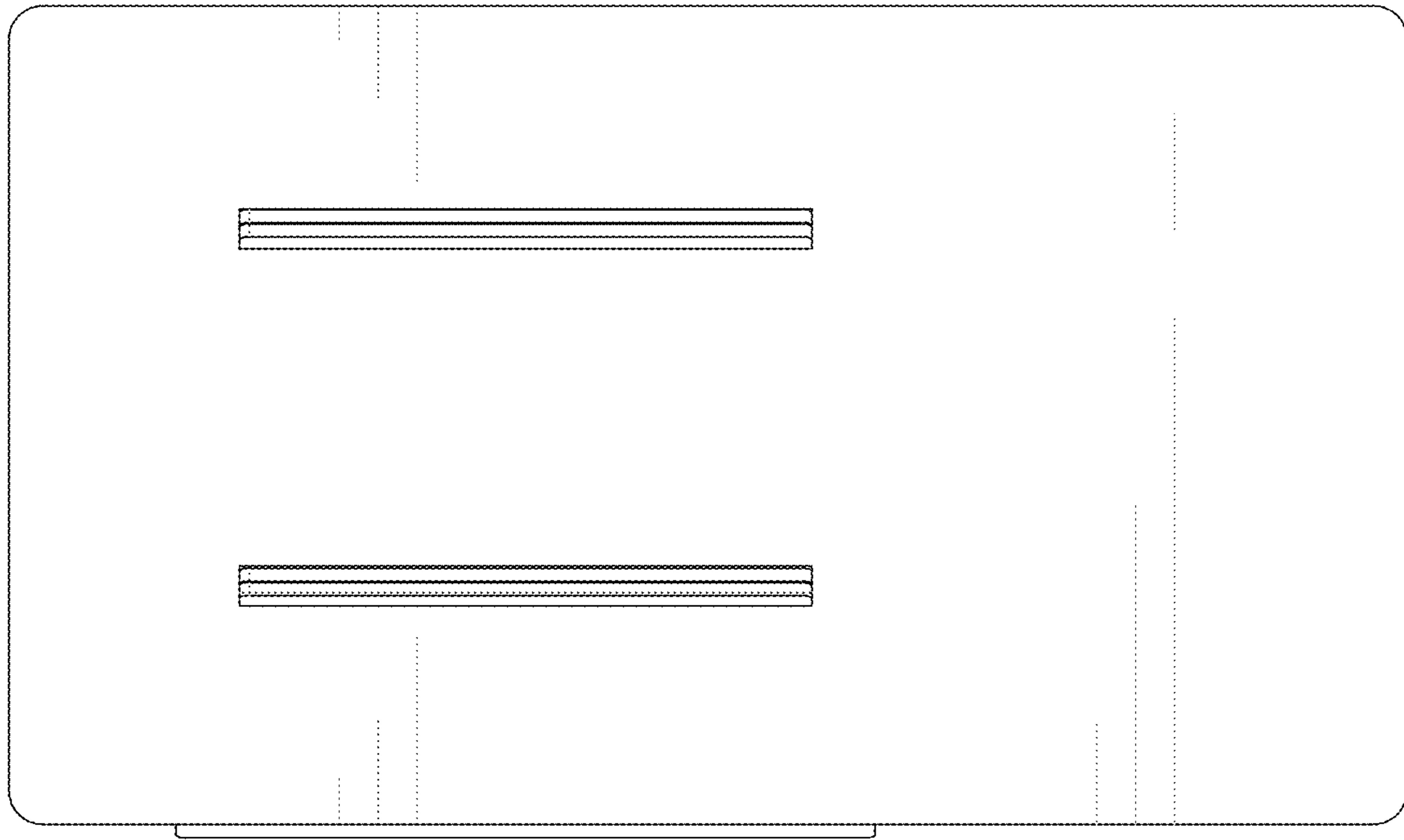


FIG. 8

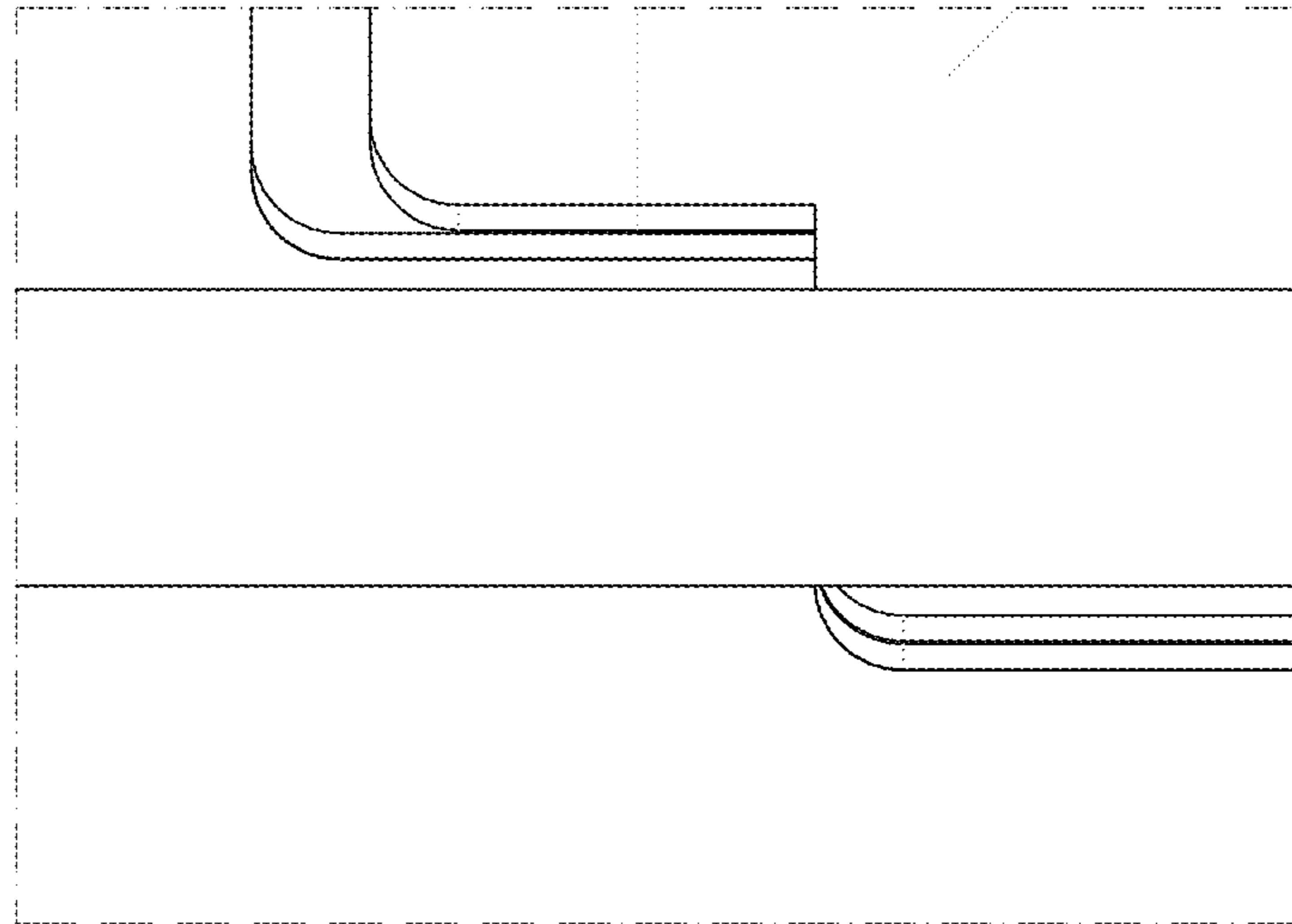


FIG. 9

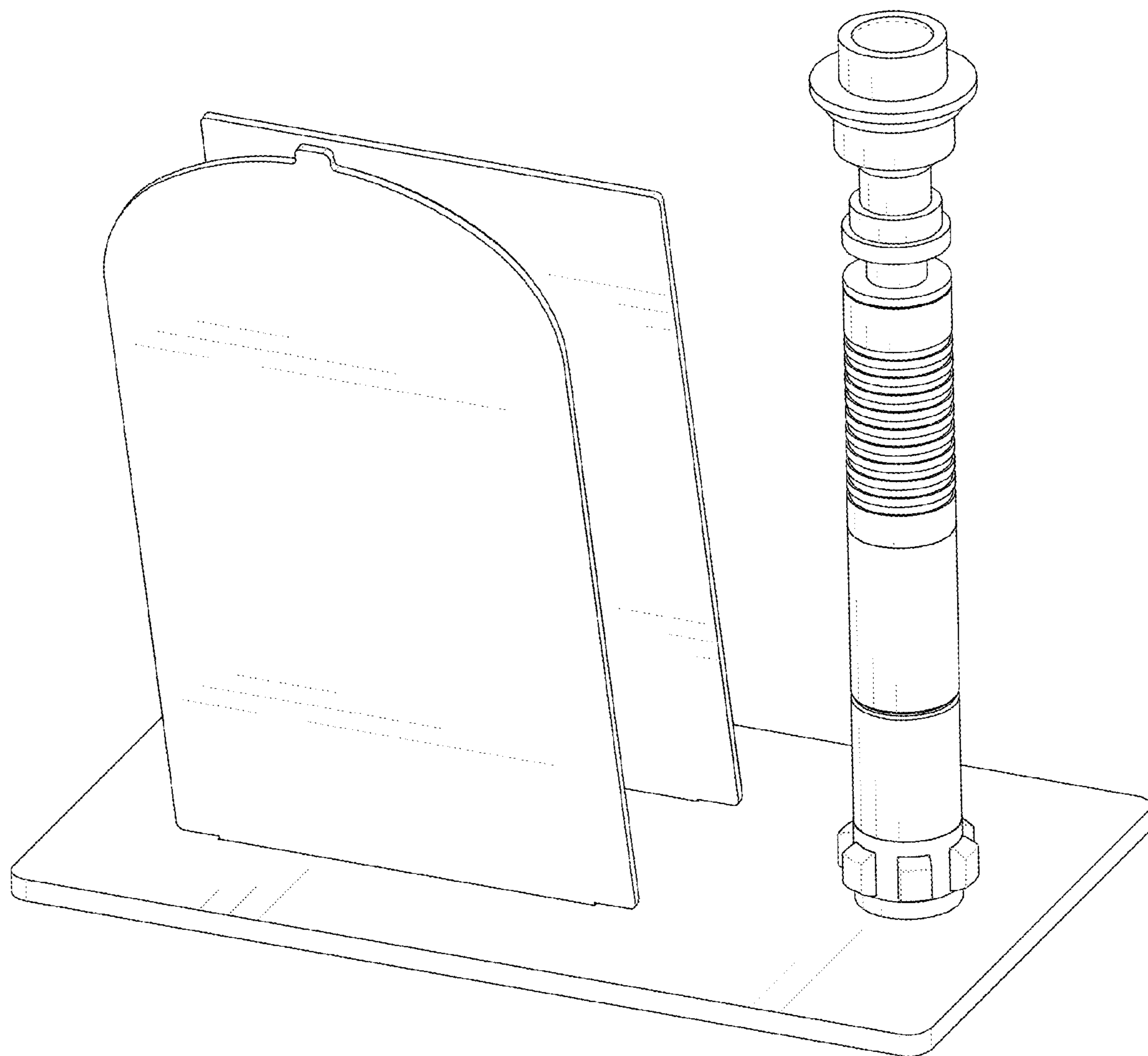


FIG. 10

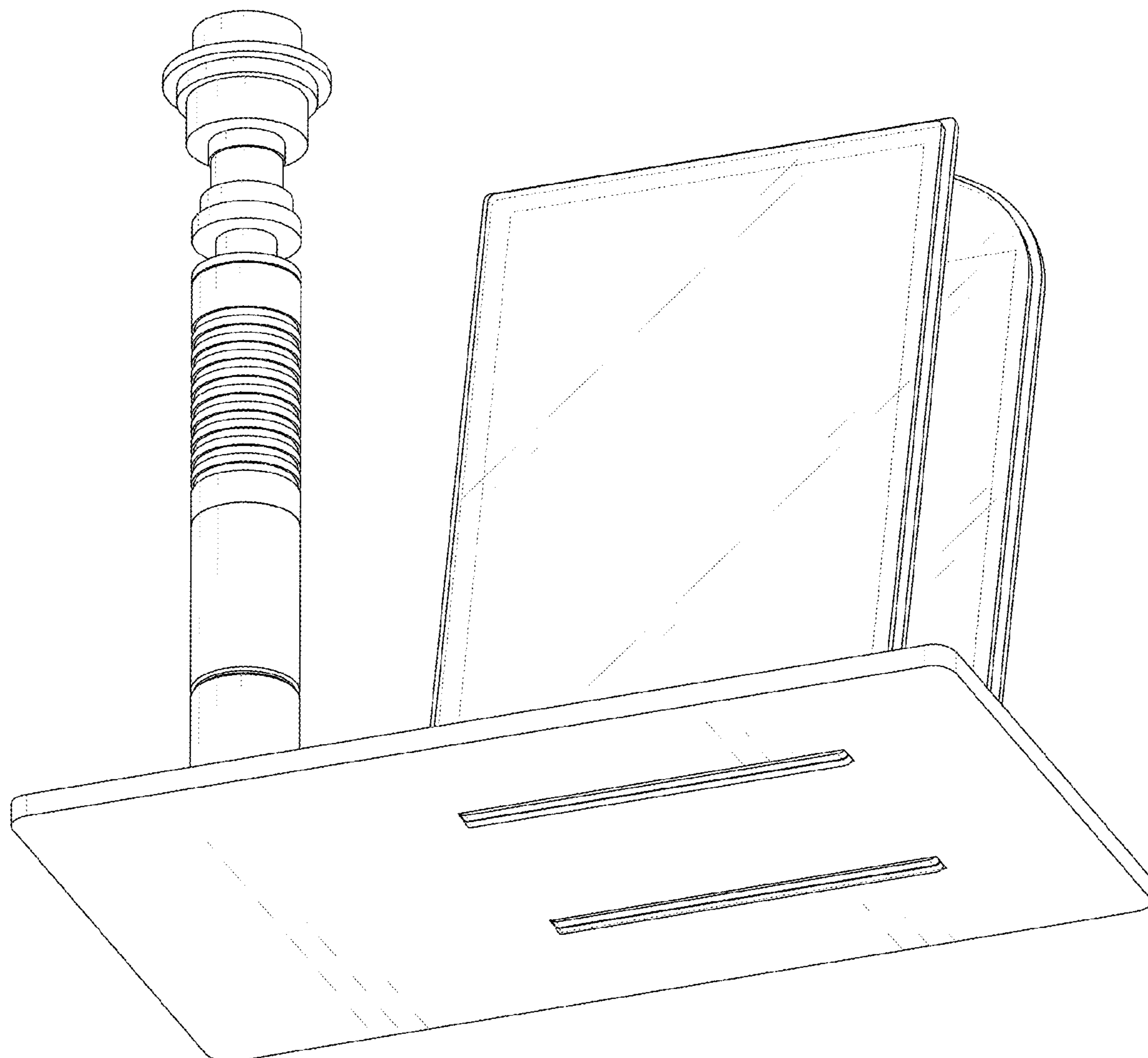


FIG. 11