



US00D988011S

(12) **United States Design Patent** (10) **Patent No.:** **US D988,011 S**
Xu (45) **Date of Patent:** **** Jun. 6, 2023**

(54) **TOILET BRUSH**
(71) Applicant: **Pingjuan Xu**, Zhejiang (CN)
(72) Inventor: **Pingjuan Xu**, Zhejiang (CN)
(**) Term: **15 Years**

D927,219 S * 8/2021 Lin D4/116
D946,927 S * 3/2022 Wang D6/551
D949,594 S * 4/2022 Tian D4/116
D972,310 S * 12/2022 Cheng D4/116
D974,771 S * 1/2023 Hao D4/116

(21) Appl. No.: **29/787,290**
(22) Filed: **Jun. 4, 2021**

FOREIGN PATENT DOCUMENTS

CN 306700581 * 7/2021
CN 306717840 * 7/2021

(51) **LOC (14) Cl.** **04-01**
(52) **U.S. Cl.**

OTHER PUBLICATIONS

Toilet Brush/Toilet Bowl Brush and Holder, posting date unknown [online], [retrieved Jan. 3, 2023]. Retrieved from internet, <https://www.amazon.com/dp/B0BFGHB1F5/?th=1> (Year: 2023).*
Scrubbing Bubbles Fresh Brush Toilet Bowl Cleaning System Starter Kit, posted Nov. 14, 2017 [online], [retrieved Jan. 3, 2023]. Retrieved from internet, <https://www.amazon.com/dp/B07872QNMJ/> (Year: 2017).*

USPC **D4/133**; D4/128
(58) **Field of Classification Search**
USPC D4/114, 119, 120, 127, 128, 130, 132, D4/133, 134, 135, 138, 199
CPC .. A46B 1/00; A46B 3/00; A46B 3/005; A46B 3/02; A46B 3/20; A46B 3/22; A46B 5/00; A46B 5/002; A46B 5/0025; A46B 5/0029; A46B 5/0033; A46B 5/0037; A46B 5/0054; A46B 5/0062; A46B 5/0066; A46B 5/0095; A46B 5/02; A46B 5/021; A46B 5/026; A46B 7/00; A46B 9/00; A46B 9/02; A46B 9/023; A46B 9/028; A46B 2200/00; A46B 2200/30; A46B 2200/304; A46B 7/06; A47K 7/00; A47K 7/022

(Continued)

Primary Examiner — Alison M Ofstun
Assistant Examiner — Evin Franklin George Ershock

See application file for complete search history.

(57) **CLAIM**

The ornamental design for a toilet brush, as shown and described.

(56) **References Cited**

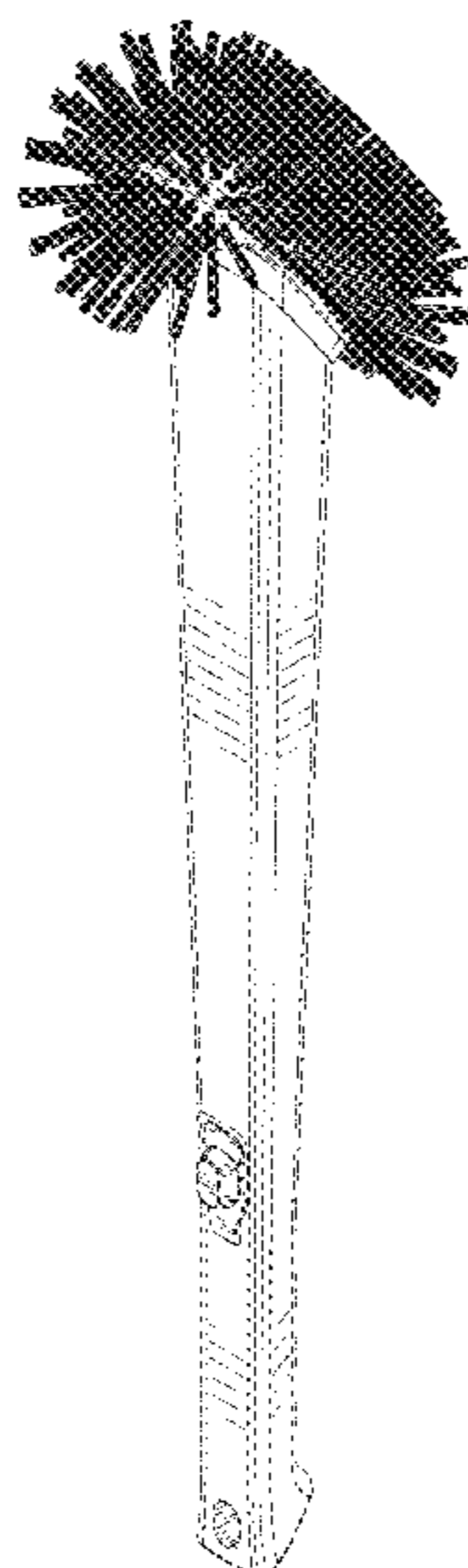
DESCRIPTION

U.S. PATENT DOCUMENTS

D266,035 S * 9/1982 Thompson D4/128
D424,306 S * 5/2000 Strum D4/121
D624,755 S * 10/2010 Luis D4/111
D647,703 S * 11/2011 Li D4/128
8,733,852 B2 * 5/2014 Gold A47K 17/00
312/207
D801,700 S * 11/2017 Kauss D4/128
D833,155 S * 11/2018 Lien D4/128
D927,196 S * 8/2021 Rodriguez A47K 17/00
D4/133

FIG. 1 is a perspective view of a toilet brush showing my new design;
FIG. 2 is a front view thereof;
FIG. 3 is a back view thereof;
FIG. 4 is a left side view thereof;
FIG. 5 is a right side view thereof;
FIG. 6 is a top view thereof;
FIG. 7 is a bottom view thereof; and,
FIG. 8 is an alternative perspective view thereof.

1 Claim, 8 Drawing Sheets



(56)

References Cited

OTHER PUBLICATIONS

Boomjoy Best seller on Amazon bathroom, posting date unknown [online], [retrieved Jan. 3, 2023]. Retrieved from internet, https://www.alibaba.com/product-detail/BOOMJOY-Best-seller-on-AMAZON-bathroom_1600100633151.html (Year: 2023).*

NileHome Toilet Bowl Brush, posted Mar. 13, 2021 [online], [retrieved Jan. 3, 2023]. Retrieved from internet, <https://www.amazon.com/dp/B08YXHZM6G/?th=1> (Year: 2021).*

* cited by examiner

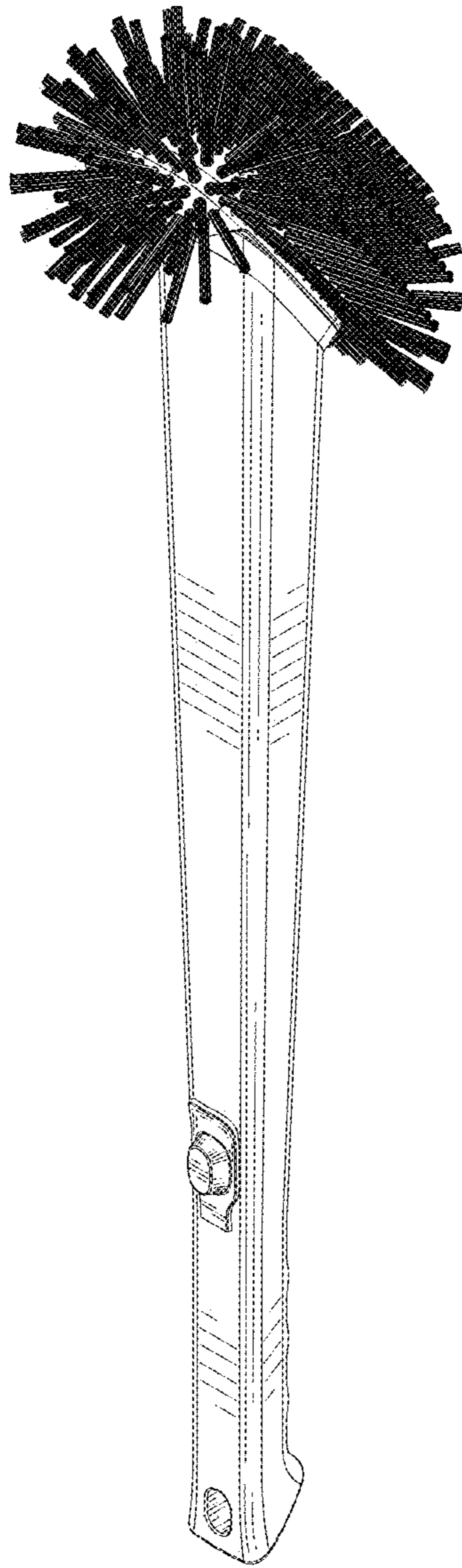


FIG. 1

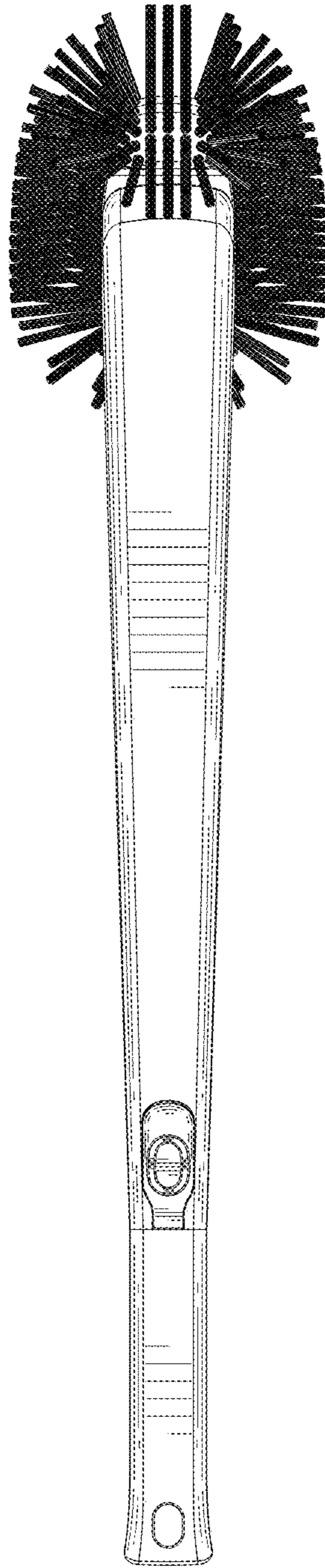


FIG.2

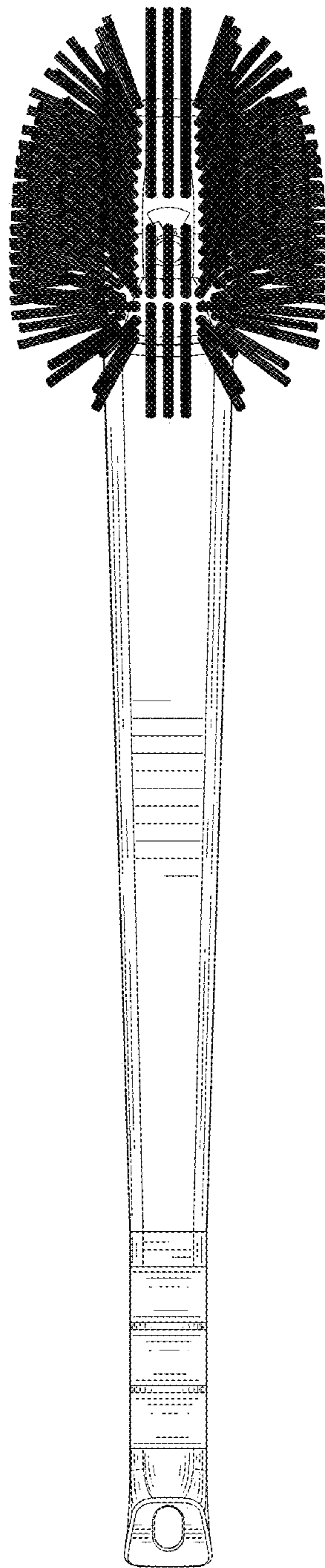


FIG.3

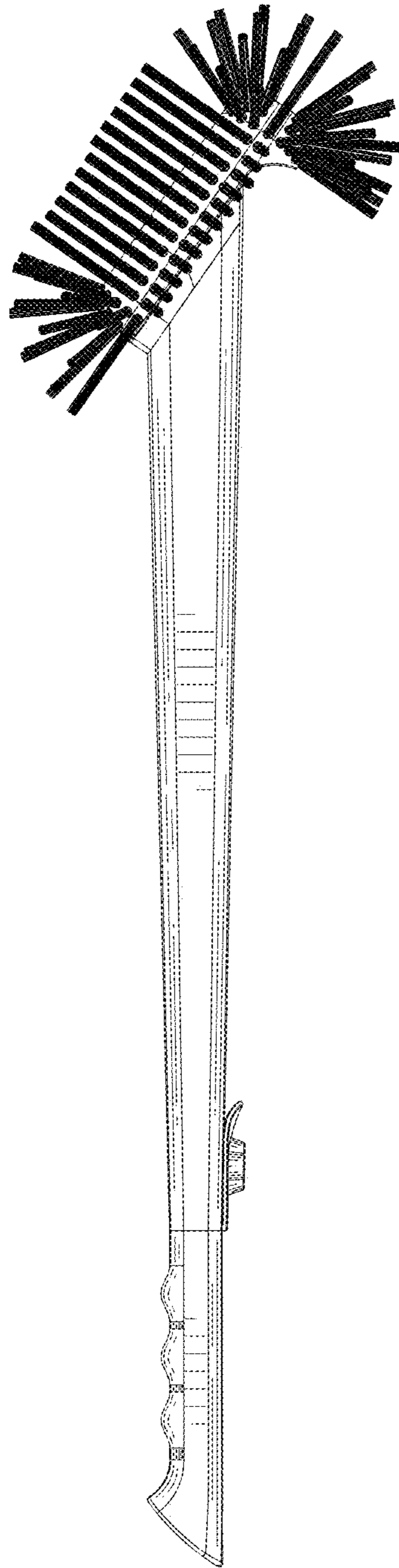


FIG. 4

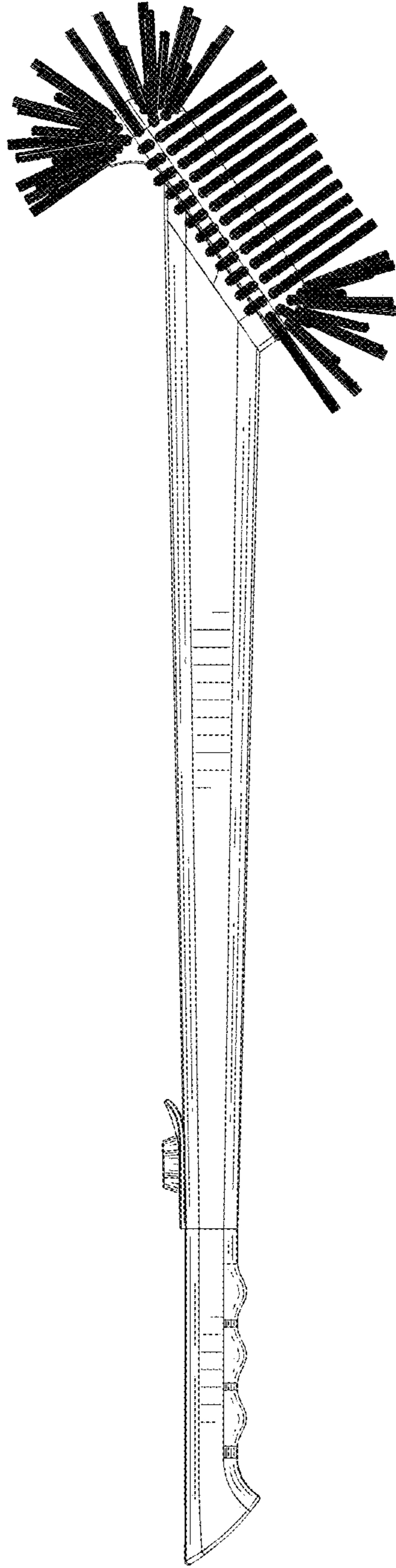


FIG.5

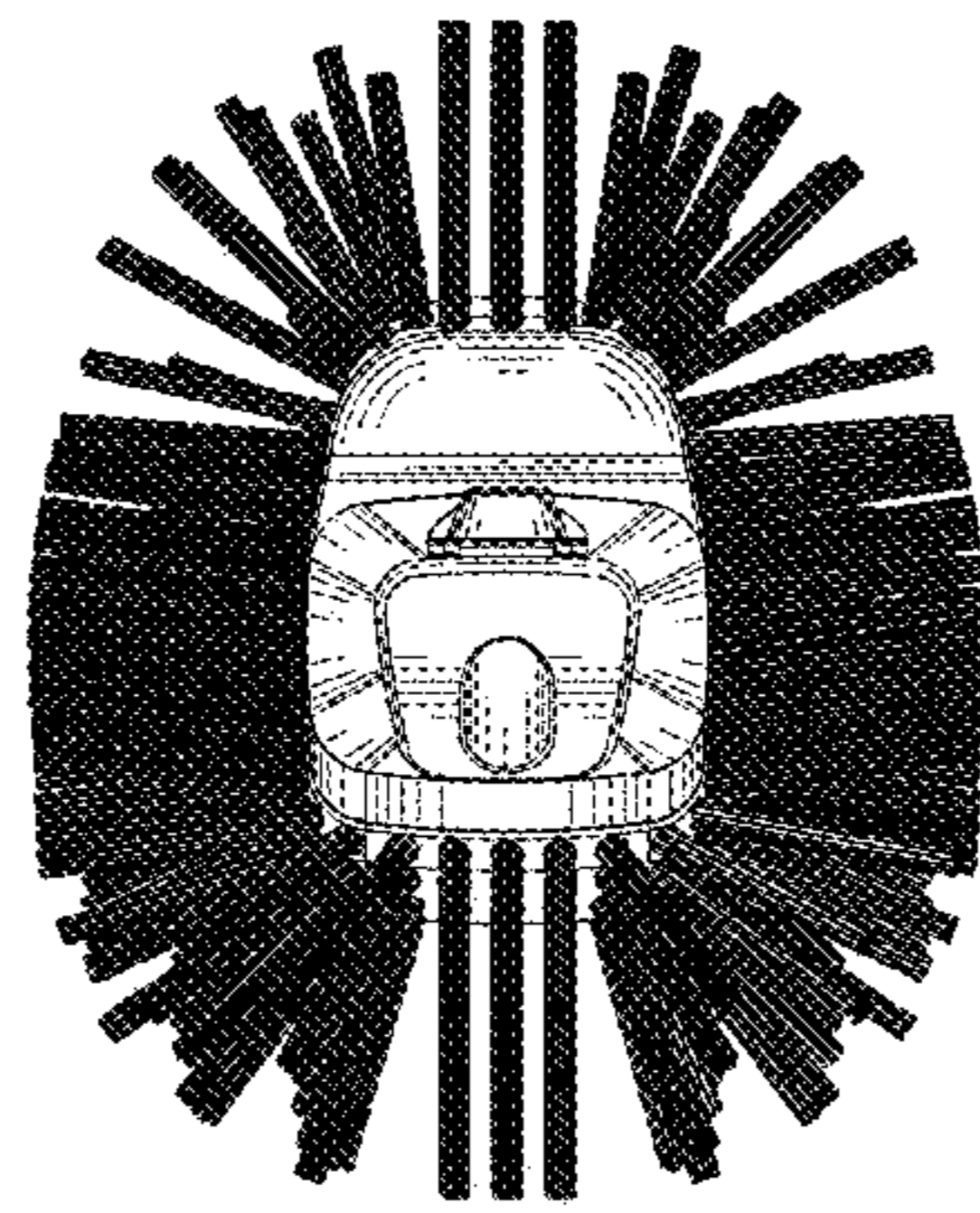


FIG.6

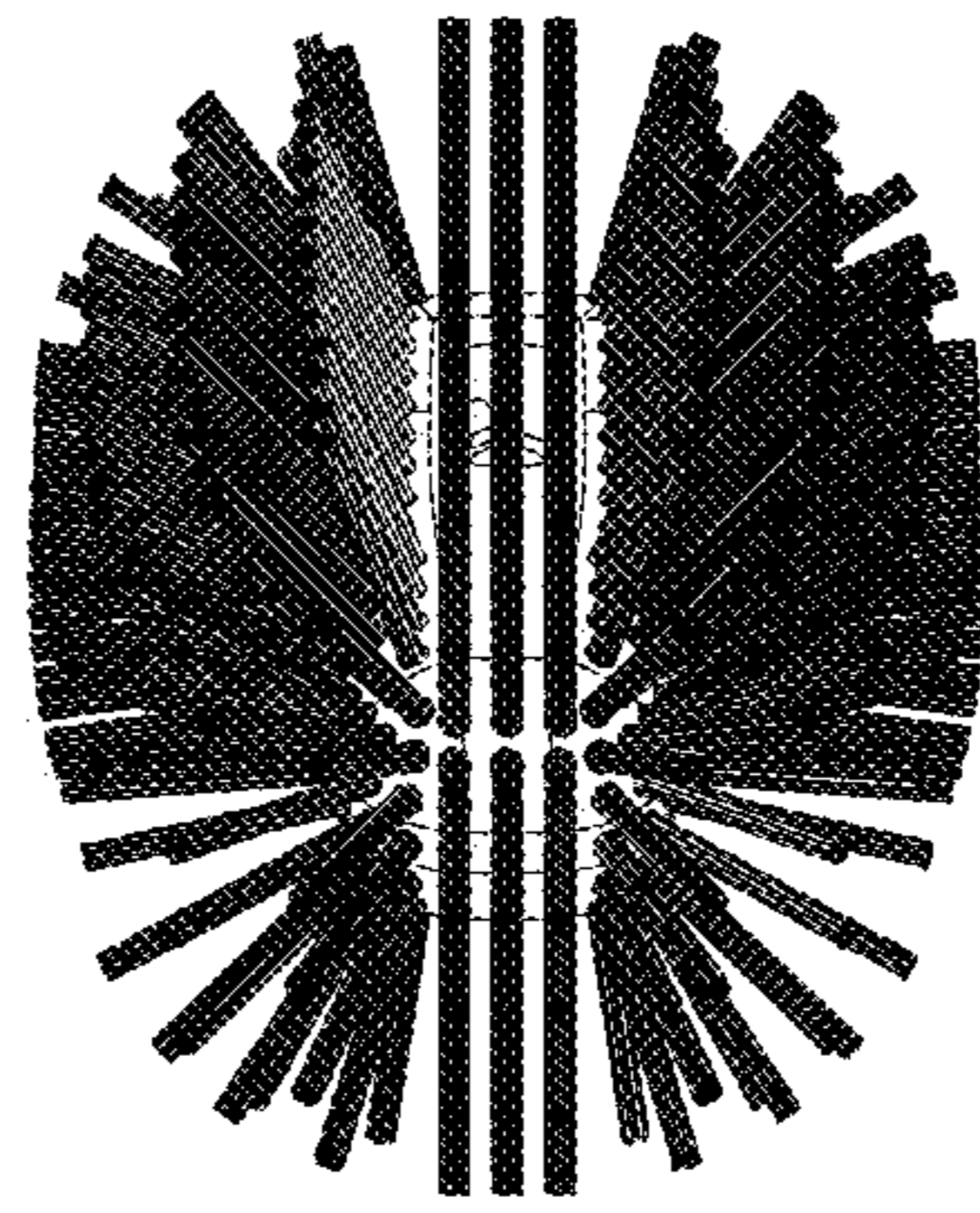


FIG.7



FIG. 8