



US00D988010S

(12) **United States Design Patent** (10) **Patent No.:** **US D988,010 S**  
**Xu** (45) **Date of Patent:** **\*\* Jun. 6, 2023**

(54) **ROLLING BRUSH FOR FLOOR WASHING APPLIANCE**

(71) Applicant: **Beijing Roborock Technology Co., Ltd.**, Beijing (CN)

(72) Inventor: **Guodong Xu**, Beijing (CN)

(73) Assignee: **BEIJING ROBOROCK TECHNOLOGY CO., LTD.**, Beijing (CN)

(\*\*) Term: **15 Years**

(21) Appl. No.: **35/513,777**

(22) Filed: **Dec. 29, 2021**

(80) **Hague Agreement Data**

Int. Filing Date: **Dec. 29, 2021**  
Int. Reg. No.: **DM/219210**  
Int. Reg. Date: **Dec. 29, 2021**  
Int. Reg. Pub. Date: **Mar. 11, 2022**

(30) **Foreign Application Priority Data**

Jul. 1, 2021 (CN) ..... 202130413940.4

(51) **LOC (14) Cl.** ..... **04-01**

(52) **U.S. Cl.**  
USPC ..... **D4/122**

(58) **Field of Classification Search**

USPC ..... D4/122, 138; 15/27, 104.001, 104.002,  
15/230.11; 492/13, 16-19; D32/21;  
D8/70, 71  
CPC ..... B05C 1/00; B05C 1/02; B05C 17/0205;  
B44D 2/00

See application file for complete search history.

(56) **References Cited**

**U.S. PATENT DOCUMENTS**

3,263,263 A \* 8/1966 Munn ..... B05C 17/0355  
401/218  
3,850,532 A \* 11/1974 Kaiser ..... B05C 17/0357  
401/15

D248,416 S \* 7/1978 Lupkes ..... D4/122  
D284,237 S \* 6/1986 Cliche ..... D4/122  
D298,291 S \* 11/1988 Lanier ..... D6/524  
D311,280 S \* 10/1990 Garcia ..... D4/122  
6,981,815 B1 \* 1/2006 Jabri ..... B05C 17/0352  
401/218  
D859,845 S \* 9/2019 Dombrowski ..... D4/122  
D880,089 S 3/2020 Kim et al.

(Continued)

**FOREIGN PATENT DOCUMENTS**

CN 306141780 S 10/2020

*Primary Examiner* — Austin Murphy

(74) *Attorney, Agent, or Firm* — Morgan, Lewis & Bockius LLP

(57) **CLAIM**

The ornamental design for a rolling brush for floor washing appliance, as shown and described.

**DESCRIPTION**

1. Rolling brush for floor washing appliance

1.1 : Front

1.2 : Back

1.3 : Left

1.4 : Right

1.5 : Top

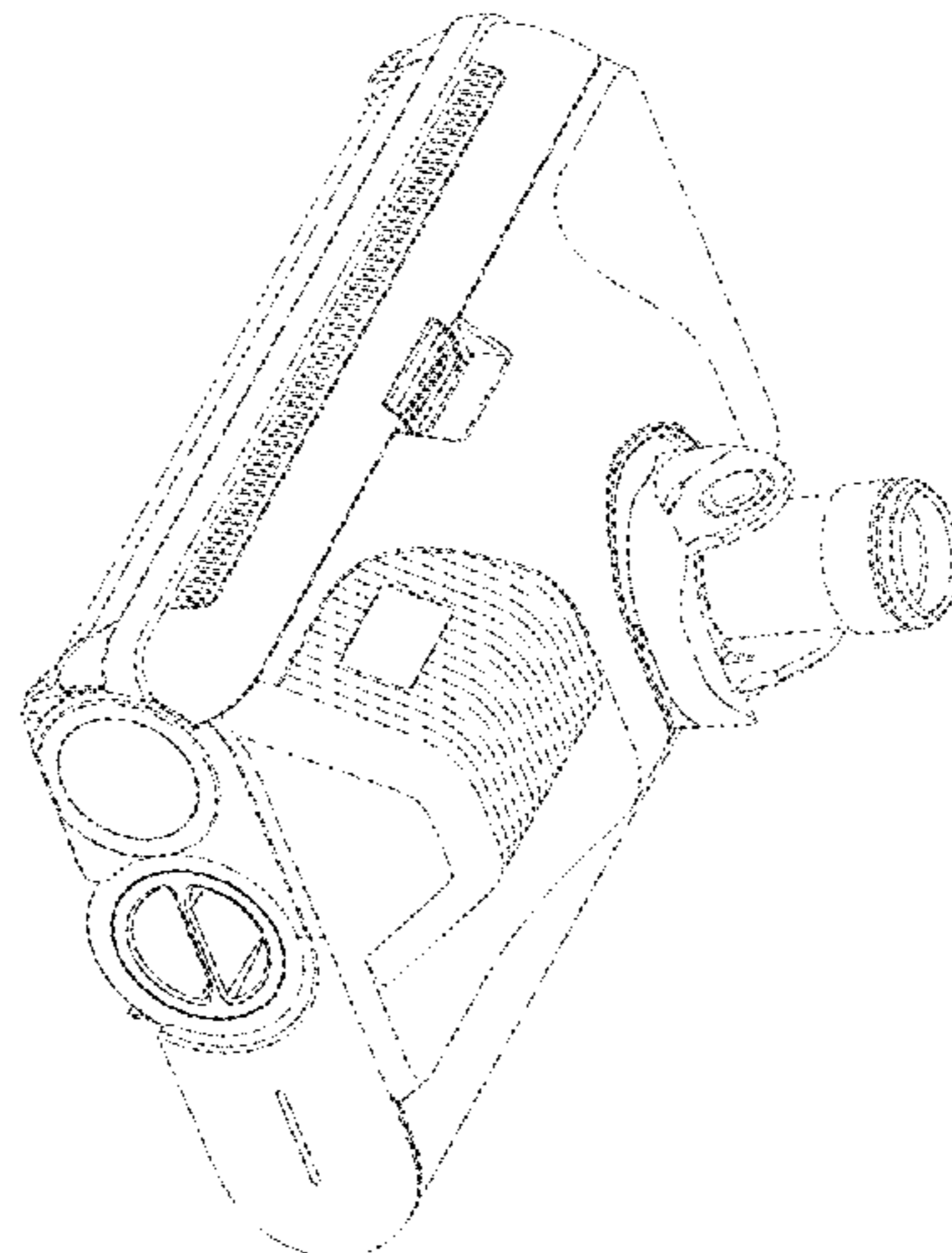
1.6 : Bottom

1.7 : Perspective

1.8 : Perspective

1.1 is a front view showing a rolling brush for floor washing appliance; 1.2 is a back view thereof; 1.3 is a left view thereof; 1.4 is a right view thereof; 1.5 is a top view thereof; 1.6 is a bottom view thereof; and 1.7 and 1.8 are two perspective views thereof; the broken lines shown in the reproductions depict portions of the rolling brush for floor washing appliance that form no part of the claimed design.

**1 Claim, 8 Drawing Sheets**



(56)

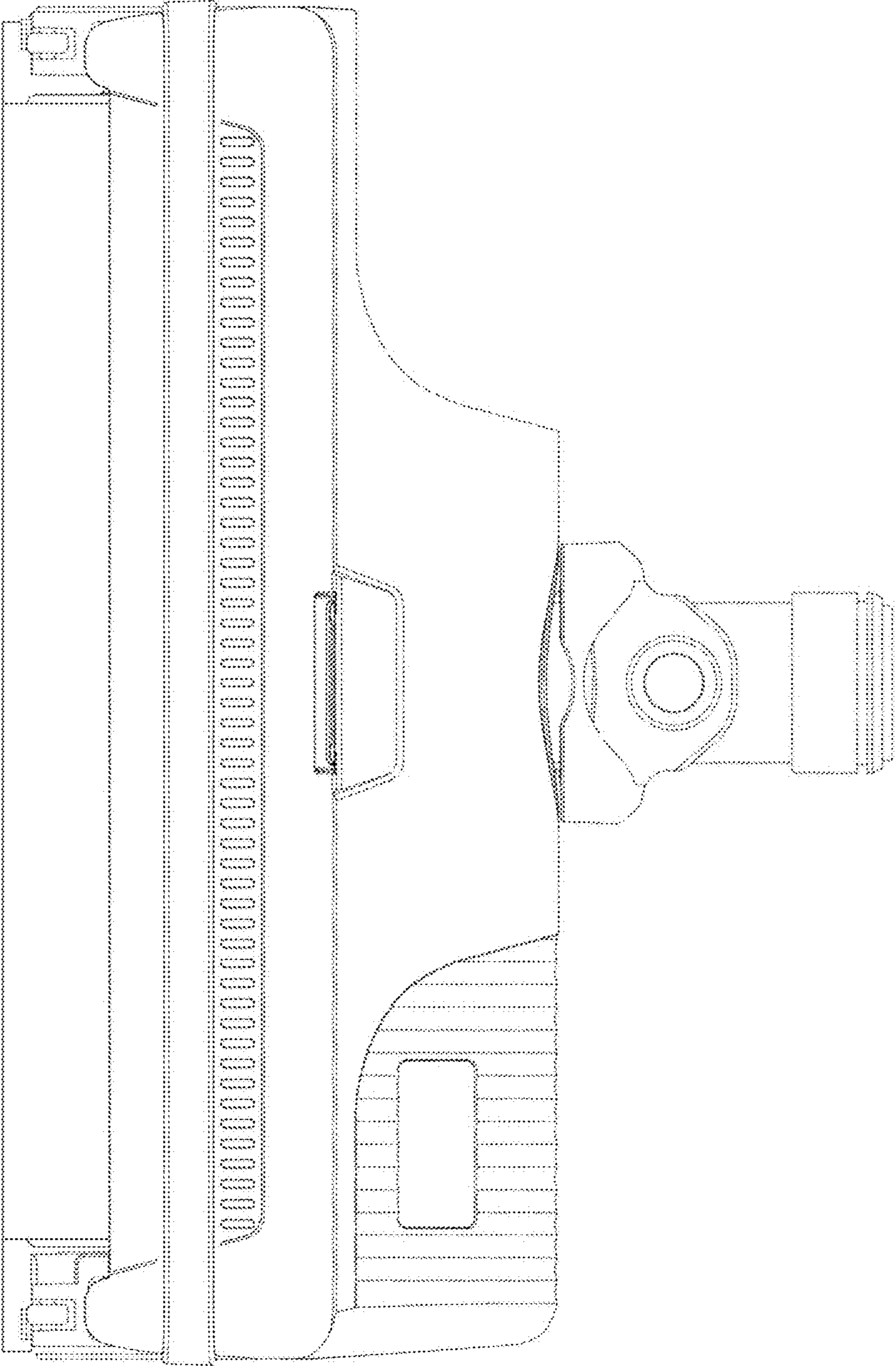
**References Cited**

U.S. PATENT DOCUMENTS

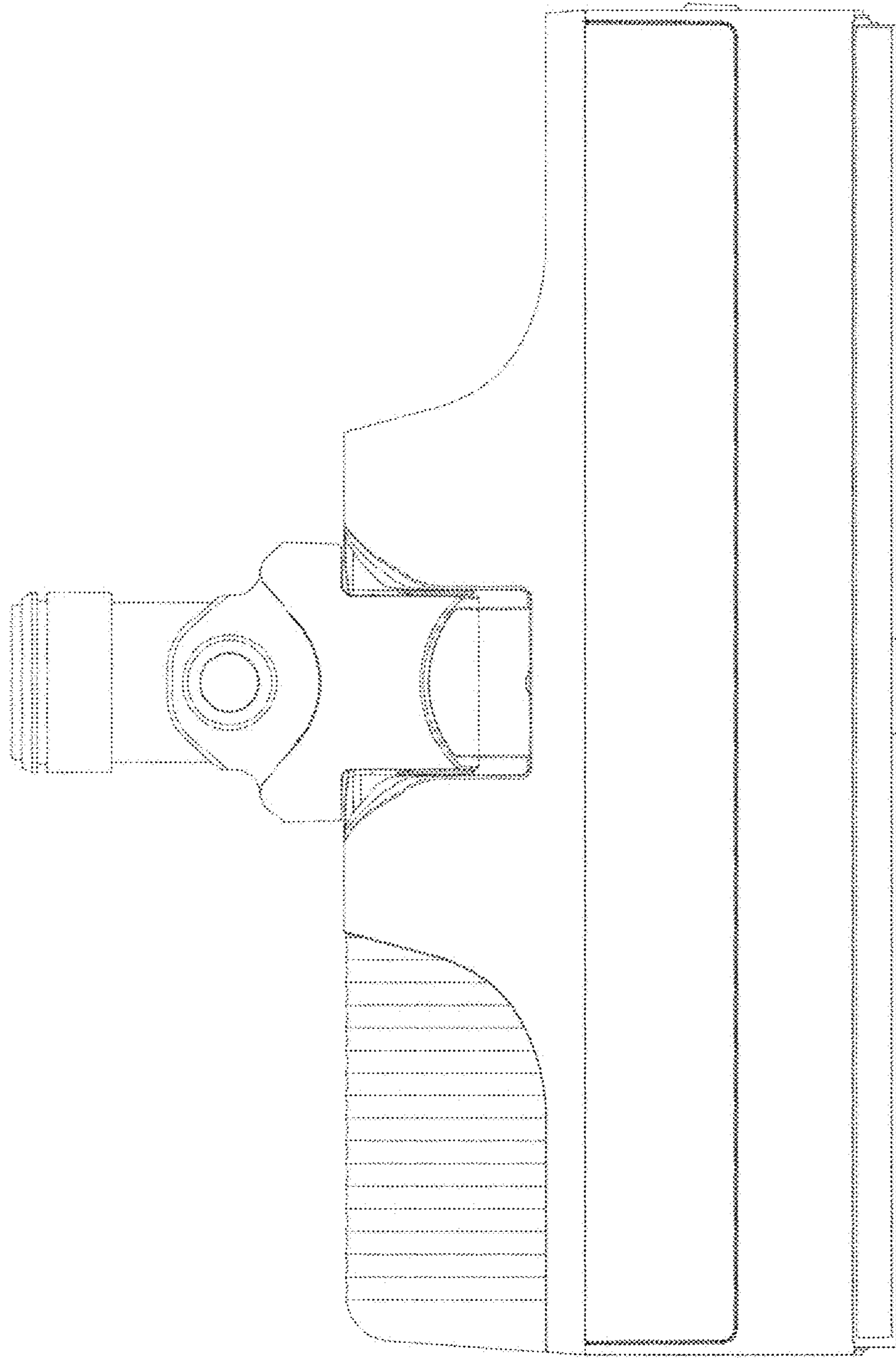
D882,196 S 4/2020 Lee et al.  
D884,359 S \* 5/2020 Green ..... D4/122

\* cited by examiner

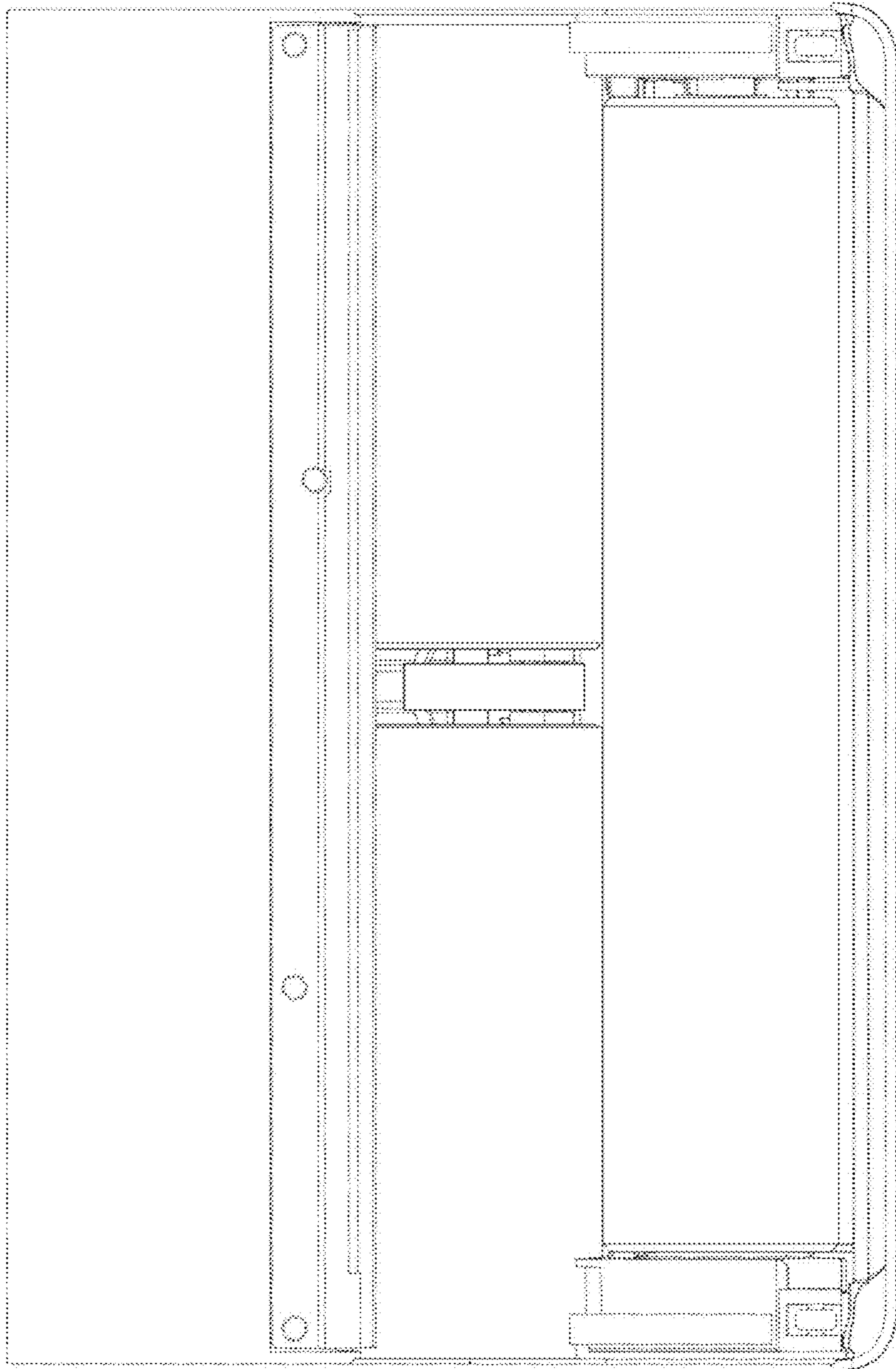
1.1



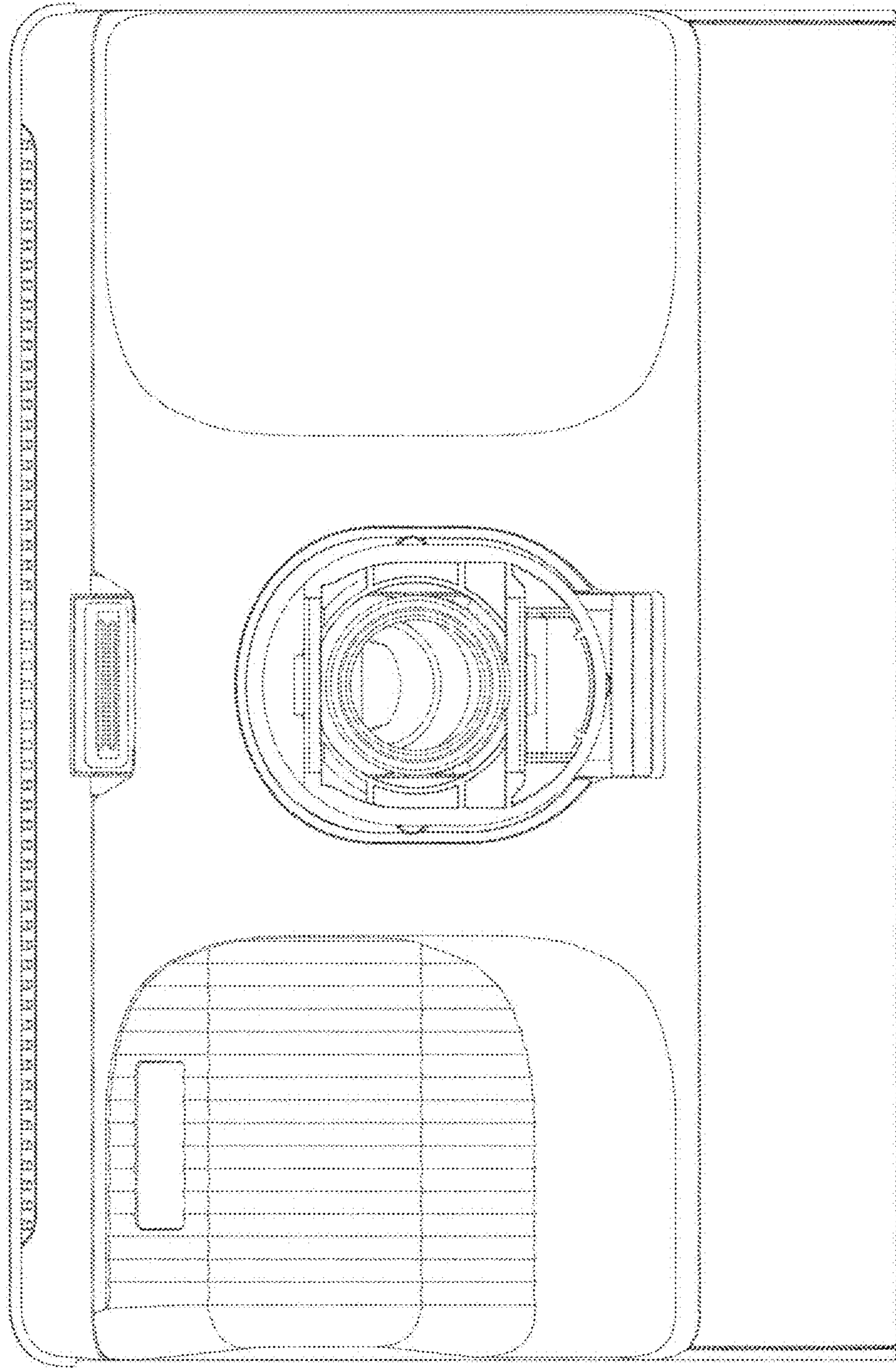
1.2



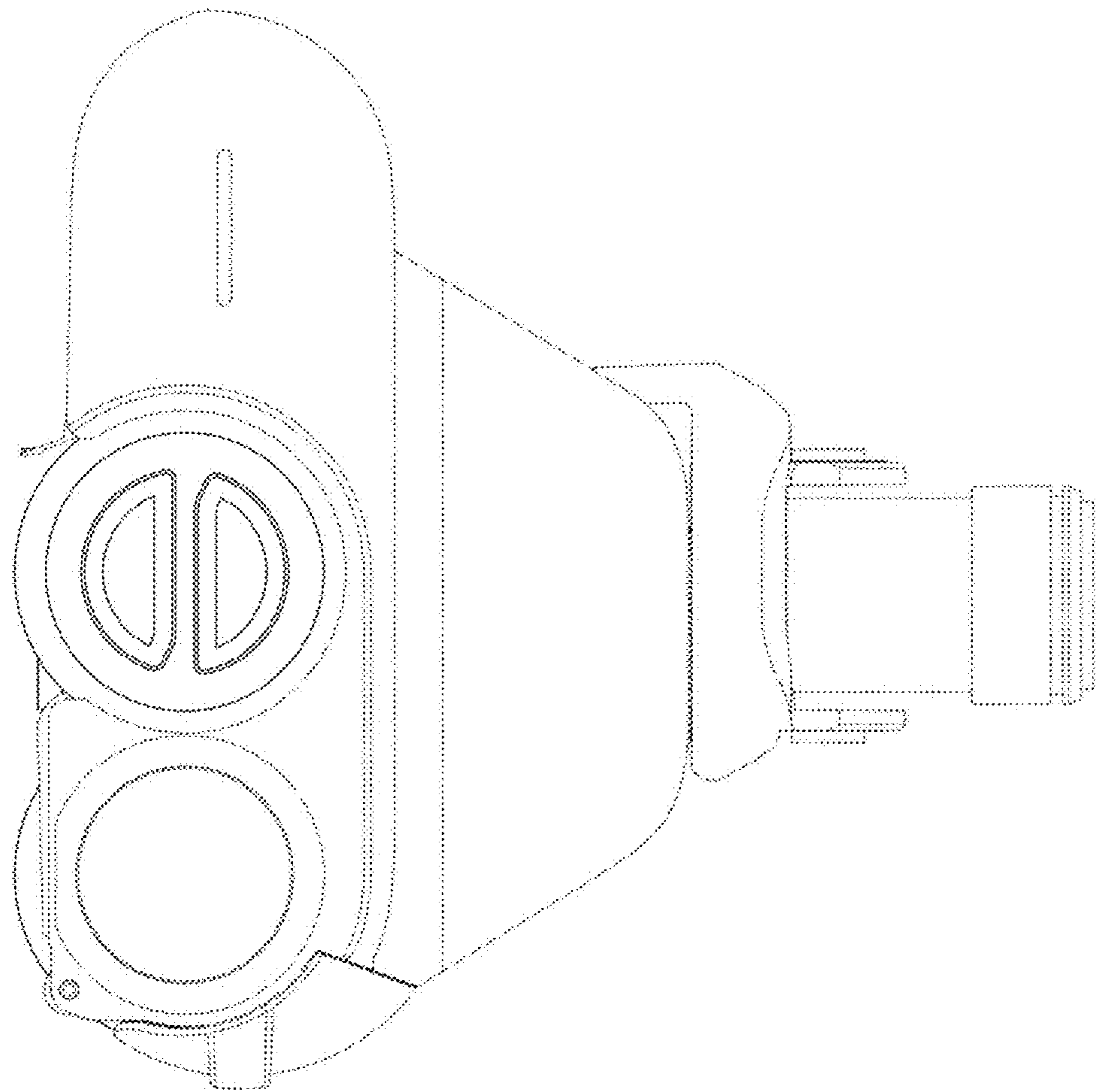
1.3



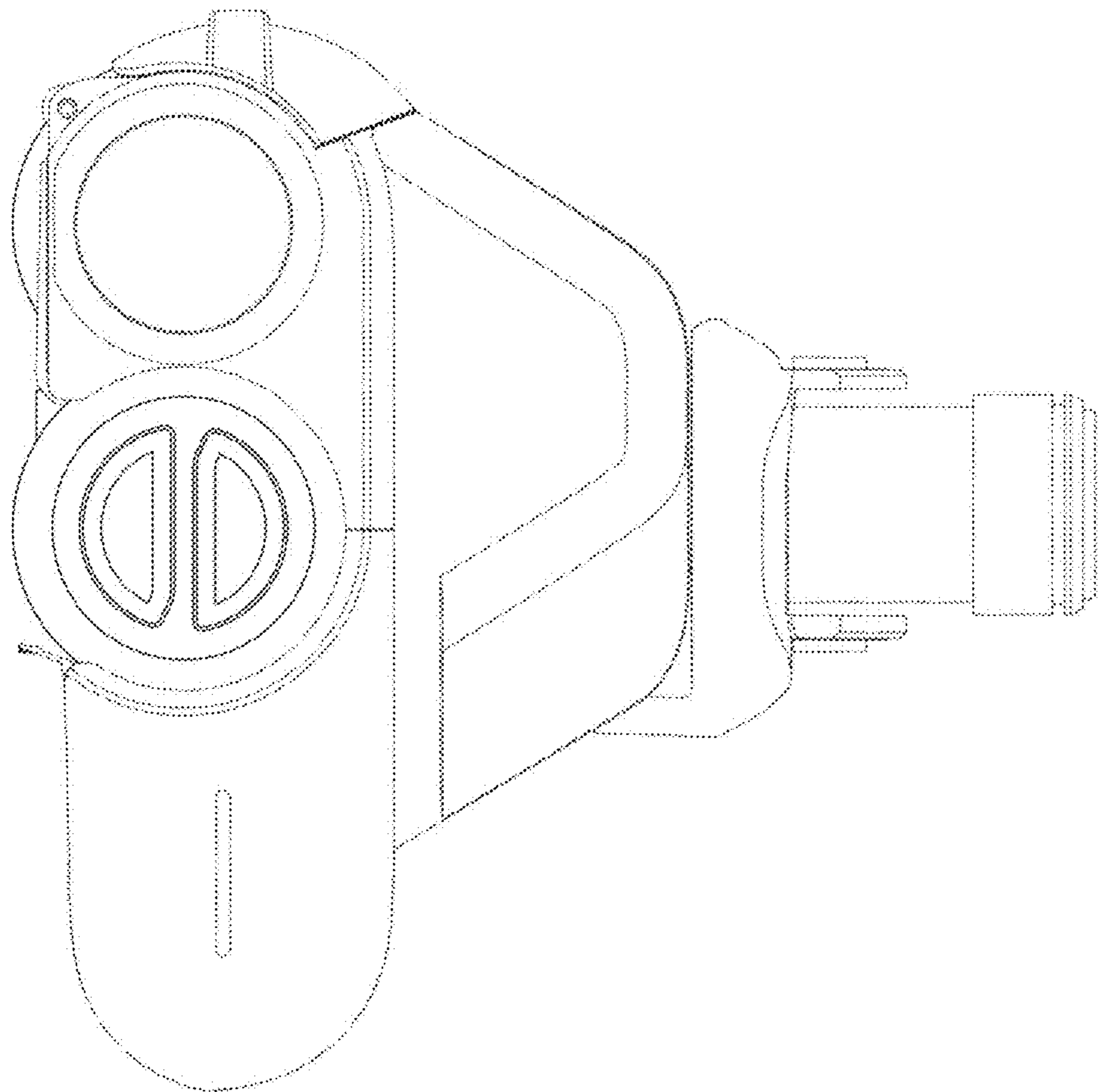
1.4



1.5

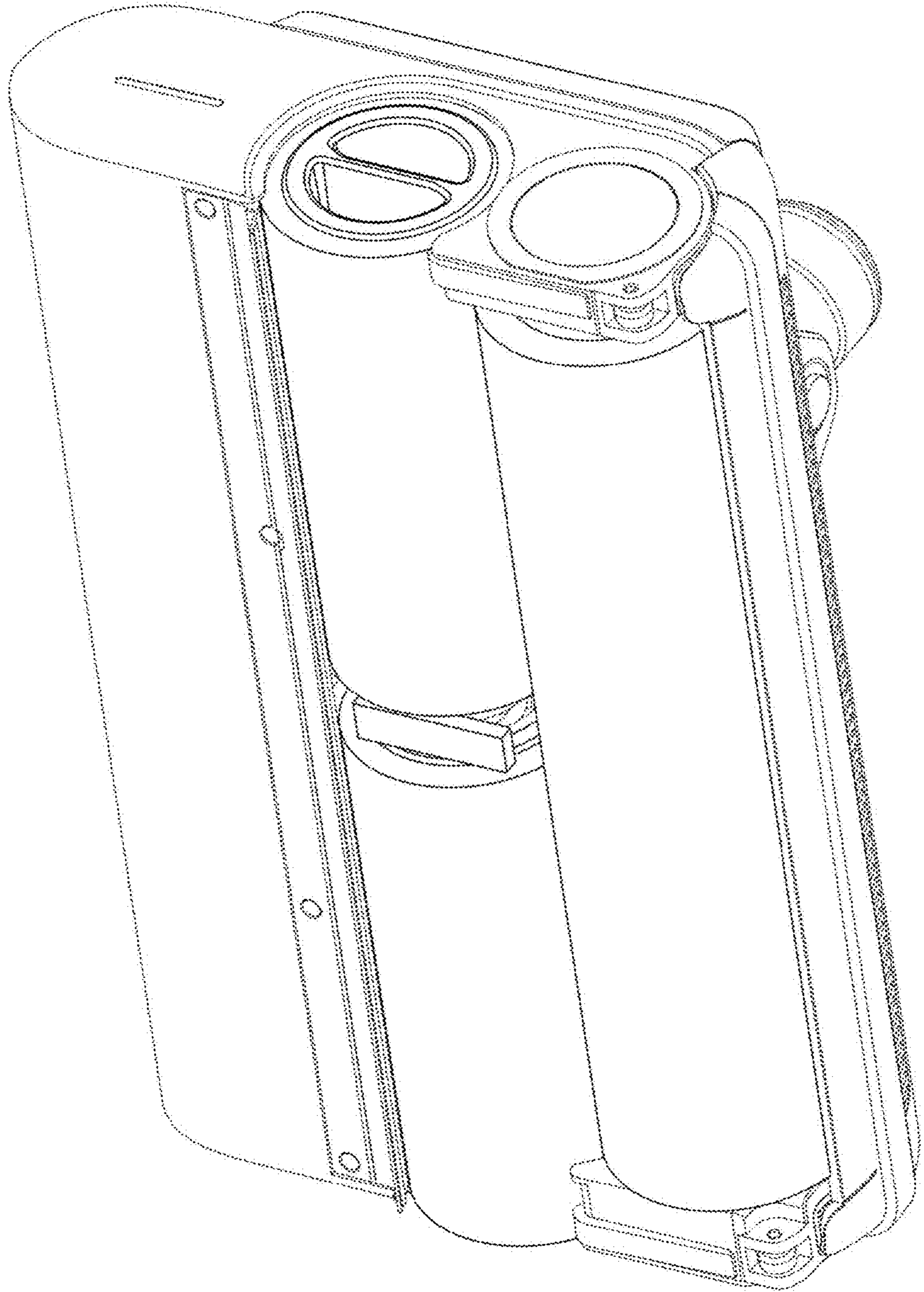


1.6





1.7



1.8

