



US00D988009S

(12) **United States Design Patent**  
**Wu et al.**

(10) **Patent No.:** **US D988,009 S**  
(45) **Date of Patent:** **\*\* Jun. 6, 2023**

(54) **TOILET BRUSH**

D577,200 S \* 9/2008 Meyer ..... D4/131  
D699,040 S \* 2/2014 Ono ..... D32/51  
D879,475 S \* 3/2020 Trachsel ..... D4/134

(71) Applicants: **Shanshan Wu**, Zhejiang (CN); **Zijian Chen**, Zhejiang (CN); **Changjiang Si**, Zhejiang (CN)

(Continued)

(72) Inventors: **Shanshan Wu**, Zhejiang (CN); **Zijian Chen**, Zhejiang (CN); **Changjiang Si**, Zhejiang (CN)

**FOREIGN PATENT DOCUMENTS**

EM 008527196-0003 \* 6/2021  
GB 6144459 \* 6/2021  
GB 6149200 \* 7/2021

(73) Assignee: **Yiwu Xiangjia Technology Co., Ltd.**, Zhejiang (CN)

**OTHER PUBLICATIONS**

(\*\*) Term: **15 Years**

Amazing, golf toilet brush, what do youe?, posted Jun. 9, 2021 [online], [retrieved Dec. 6, 2021]. Retrieved from internet, <https://www.instagram.com/p/CP5npeCIWF/> (Year: 2021).\*

(21) Appl. No.: **29/784,747**

(Continued)

(22) Filed: **May 21, 2021**

*Primary Examiner* — Alison M Ofstun  
*Assistant Examiner* — Evin Franklin George Ershock

(30) **Foreign Application Priority Data**

Nov. 27, 2020 (CN) ..... 202030724166.4

(51) **LOC (14) Cl.** ..... **04-02**

(52) **U.S. Cl.**  
USPC ..... **D4/132; D4/120**

(58) **Field of Classification Search**  
USPC ..... D4/100, 116, 119, 120, 130, 132, 134, D4/136, 199; D28/91.2  
CPC .... A46B 1/00; A46B 3/00; A46B 3/02; A46B 3/005; A46B 3/20; A46B 3/22; A46B 5/00; A46B 5/002; A46B 5/0025; A46B 5/0029; A46B 5/0033; A46B 5/0037; A46B 5/0054; A46B 5/0062; A46B 5/0066; A46B 5/02; A46B 5/021; A46B 5/026; A46B 2200/00; A46B 2200/30; A46B 2200/304; A46B 7/00; A46B 7/06; A46B 9/00; A46B 9/02; A46B 9/023; A46B 9/028; A46B 13/08  
See application file for complete search history.

(56) **References Cited**

**U.S. PATENT DOCUMENTS**

D558,456 S \* 1/2008 Bingaman ..... D4/132  
D575,528 S \* 8/2008 Libman ..... D4/133

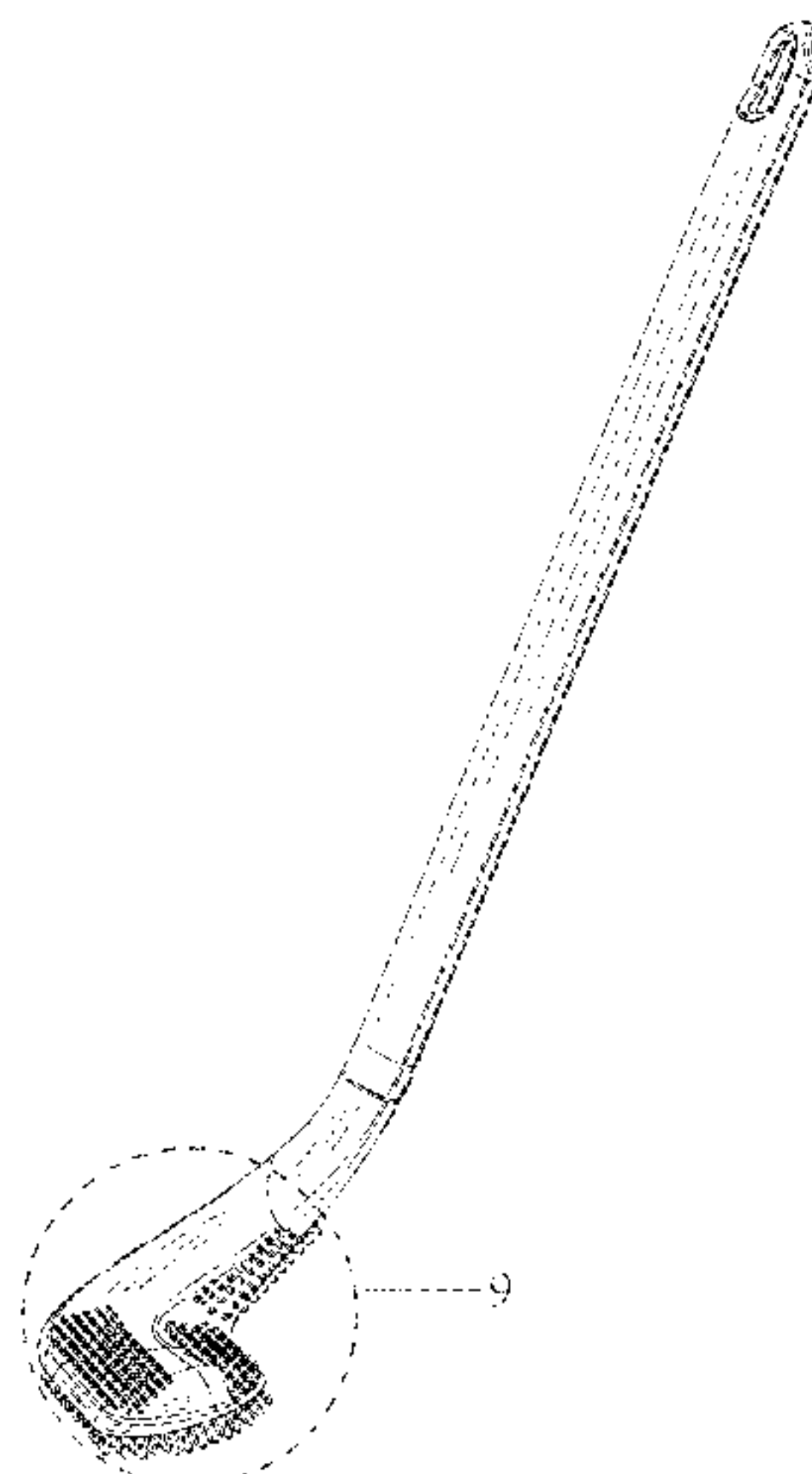
(57) **CLAIM**

The ornamental design for a toilet brush, as shown and described.

**DESCRIPTION**

FIG. 1 is a perspective view of a toilet brush showing our new design;  
FIG. 2 is a front elevation view thereof;  
FIG. 3 is a rear elevation view thereof;  
FIG. 4 is a left side elevation view thereof;  
FIG. 5 is a right side elevation view thereof;  
FIG. 6 is a top plan view thereof;  
FIG. 7 is a bottom plan view thereof;  
FIG. 8 is a rear side perspective view thereof; and,  
FIG. 9 is an enlarged view of the area outlined in FIG. 1. The broken lines shown in FIG. 1 and 9 illustrate enlarged view indicators and form no part of the claimed design.

**1 Claim, 9 Drawing Sheets**



(56)

**References Cited**

U.S. PATENT DOCUMENTS

D905,436 S	*	12/2020	Pawluskiewicz .....	D4/134
D909,068 S	*	2/2021	Dye .....	D4/134
D920,682 S	*	6/2021	Pawluskiewicz .....	D4/138
D936,976 S	*	11/2021	Gooden .....	D4/136
D952,352 S	*	5/2022	Yu .....	D4/116
D955,756 S	*	6/2022	Blechs Schmidt .....	D4/128
D970,900 S	*	11/2022	Wang .....	D4/132
D971,613 S	*	12/2022	Deng .....	D4/116

OTHER PUBLICATIONS

KingHtao Golf Toilet Brush and Holder Set, posted Jun. 26, 2021 [online], [retrieved Dec. 6, 2021]. Retrieved from internet, <https://www.amazon.com/dp/B097ZHJH97/> (Year: 2021).\*

2Pcs Toilet Brush, posted Sep. 5, 2021 [online], [retrieved Dec. 6, 2021]. Retrieved from internet, <https://www.amazon.com/dp/B09FHWF57K/> (Year: 2021).\*

Golf Toilet Brush, posted Sep. 26, 2021 [online], [retrieved Dec. 6, 2021]. Retrieved from internet, <https://www.amazon.eg/dp/B09CDVQKLX/> (Year: 2021).\*

\* cited by examiner

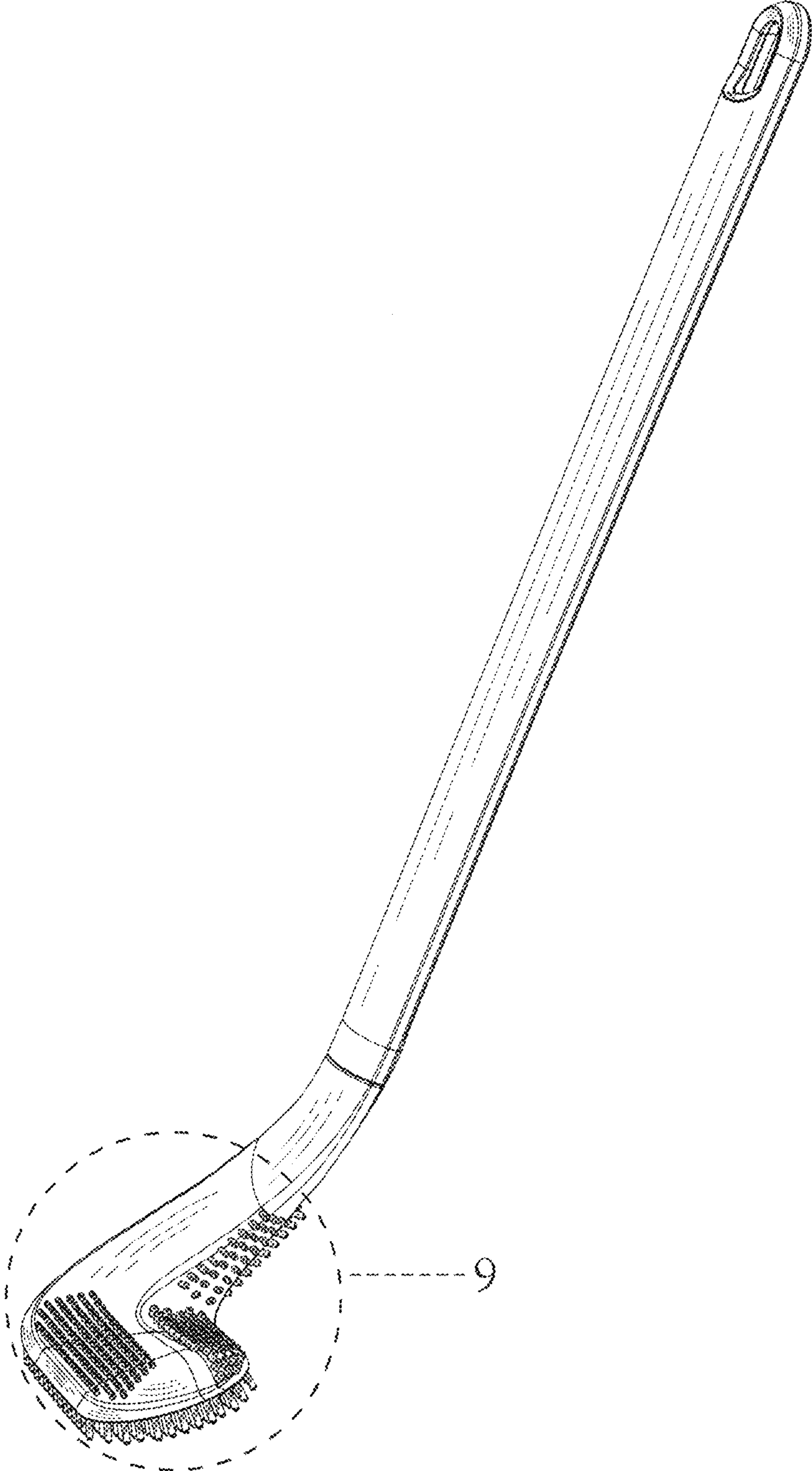


FIG. 1

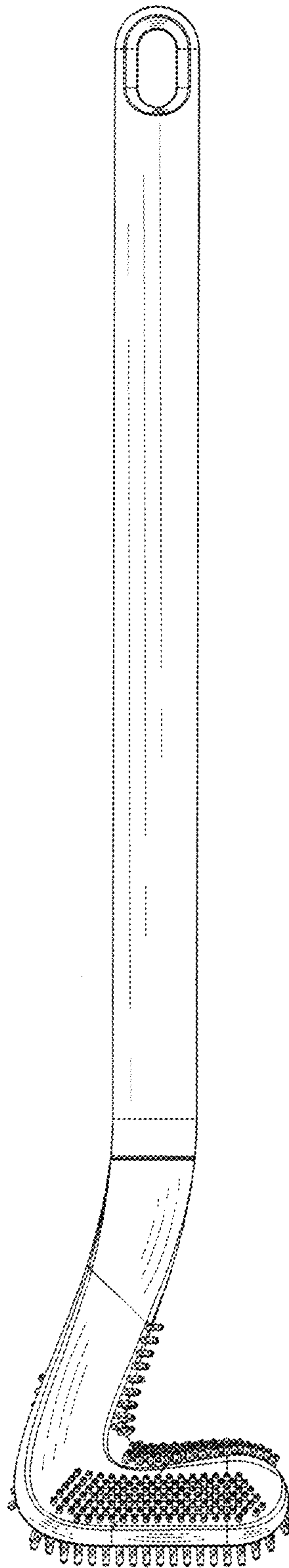


FIG. 2

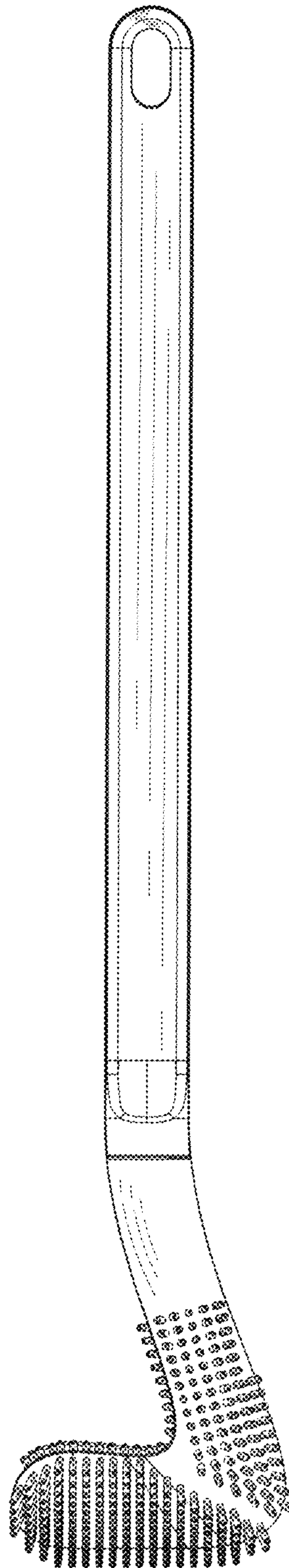


FIG. 3



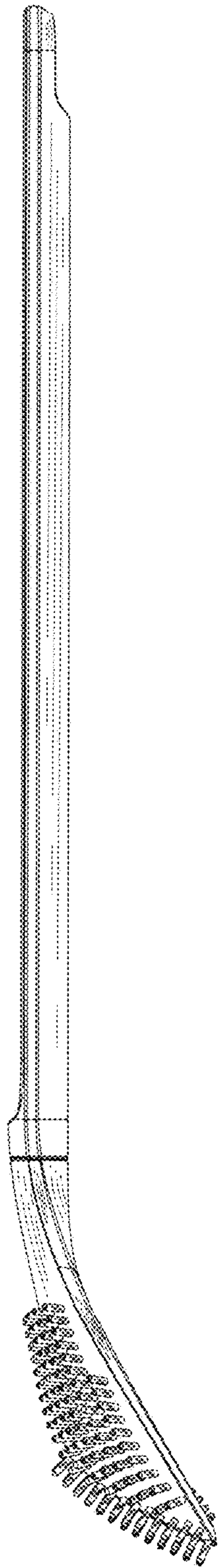


FIG. 4

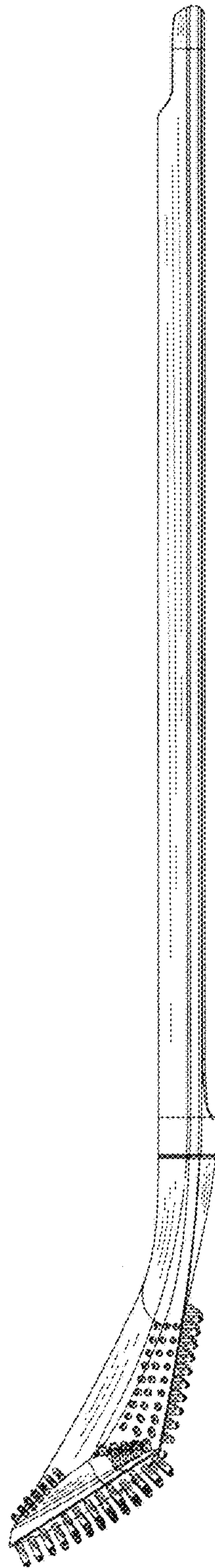


FIG. 5

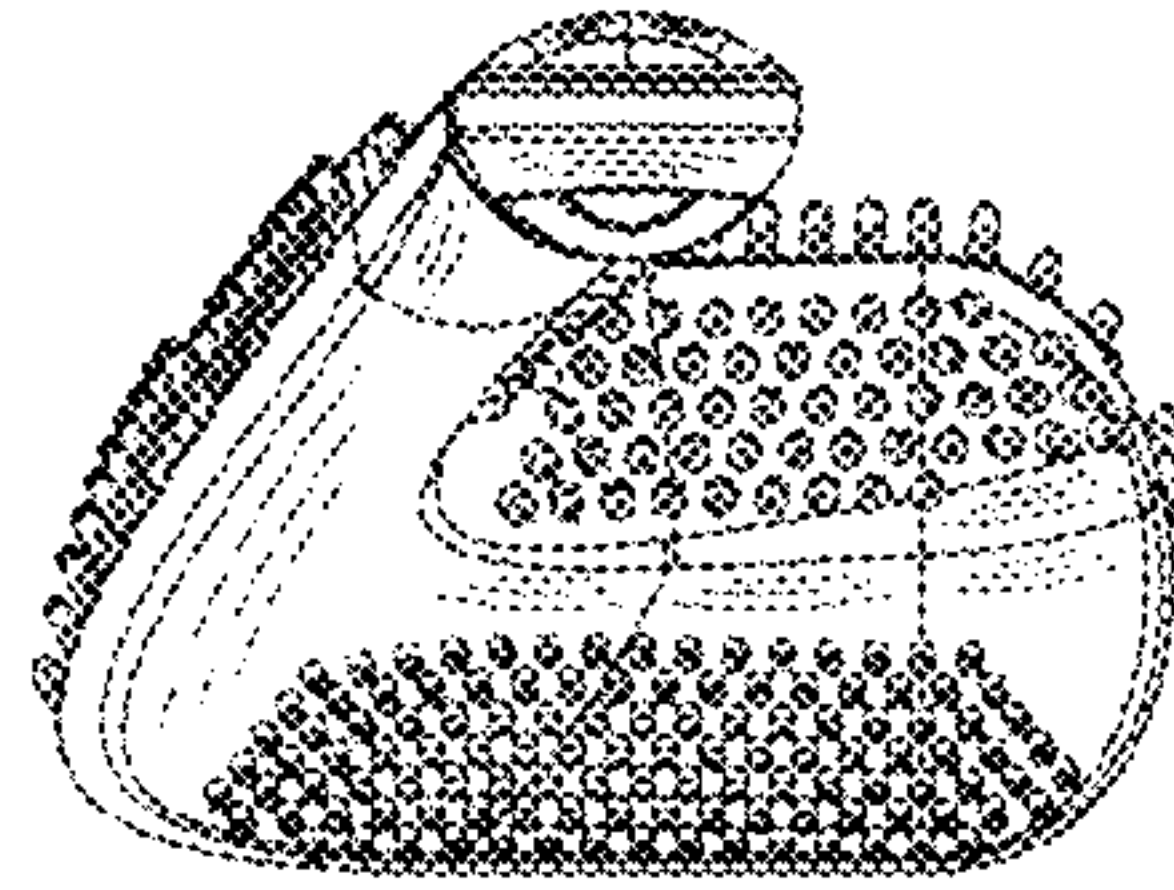


FIG. 6



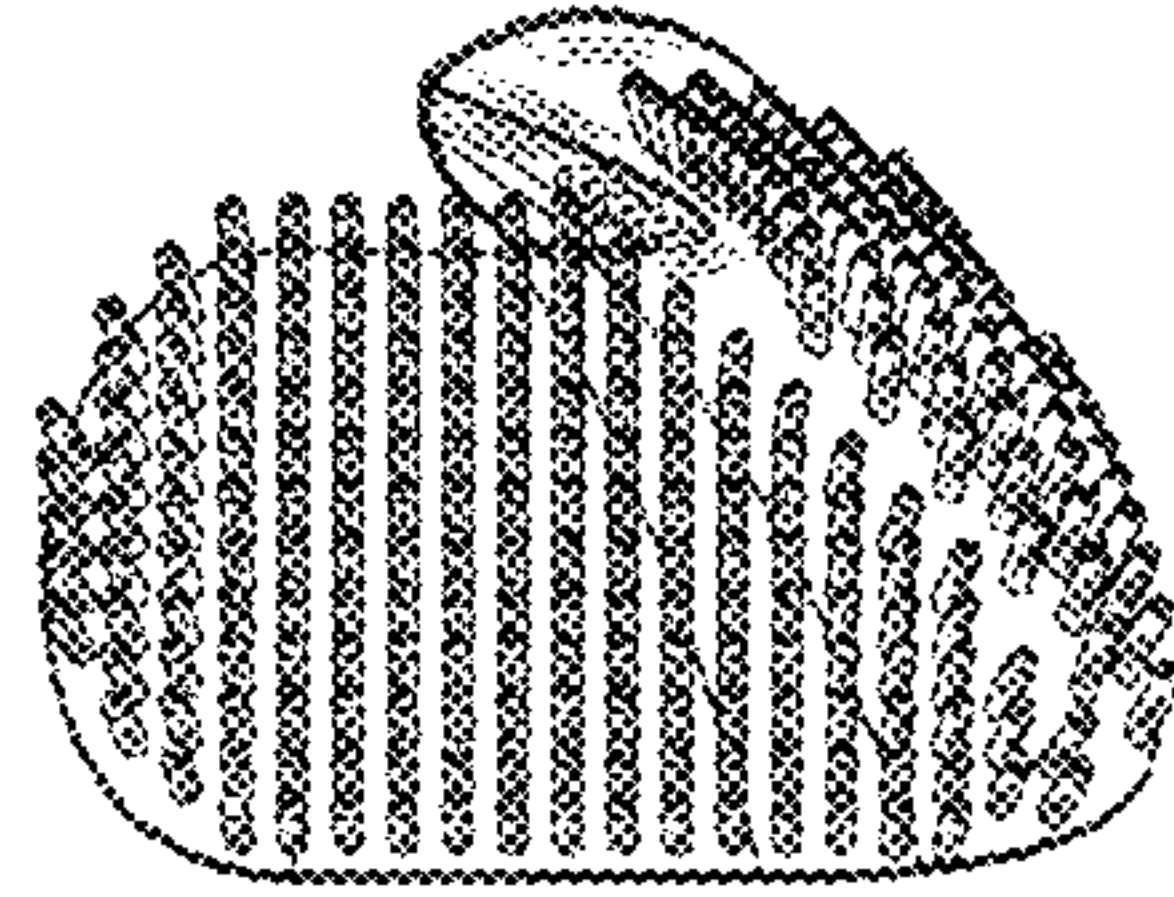


FIG. 7

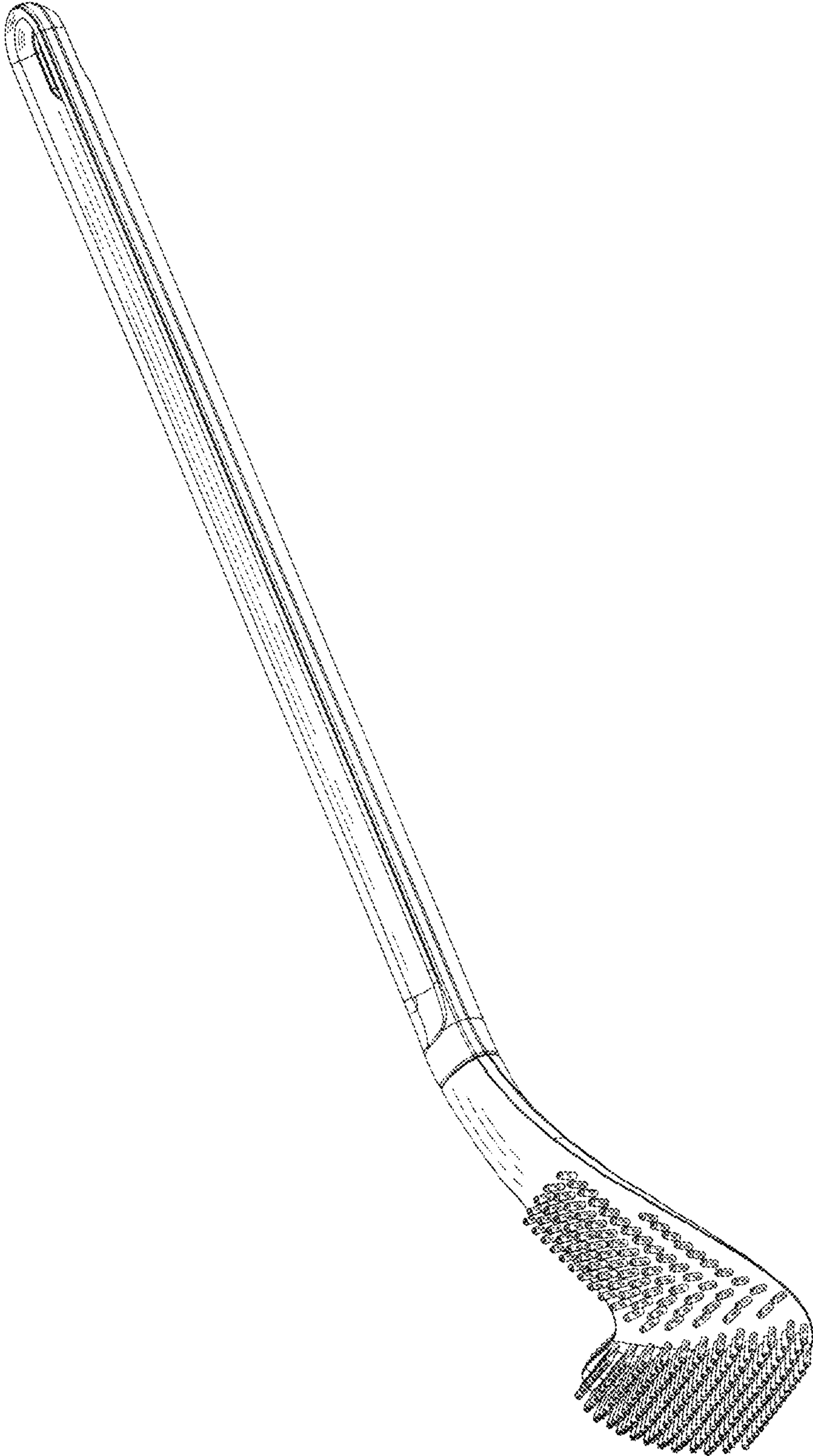


FIG. 8

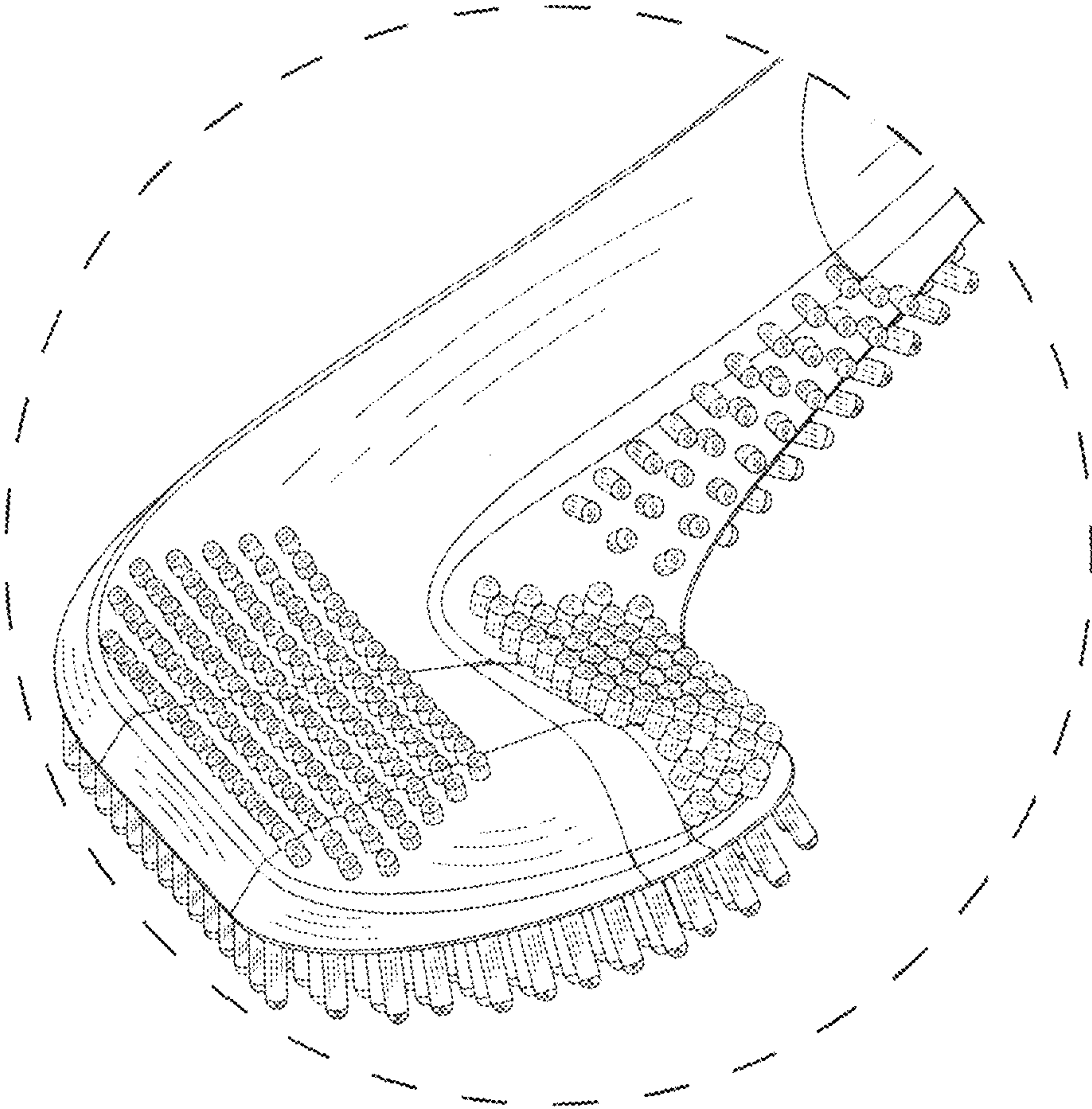


FIG. 9