



US00D988008S

(12) **United States Design Patent**
Hurtado

(10) **Patent No.:** **US D988,008 S**
(45) **Date of Patent:** **** Jun. 6, 2023**

(54) **SKINCARE TOOL**

(71) Applicant: **Gabriela Alysse Hurtado**, San Antonio, TX (US)

(72) Inventor: **Gabriela Alysse Hurtado**, San Antonio, TX (US)

(**) Term: **15 Years**

(21) Appl. No.: **29/773,041**

(22) Filed: **Mar. 5, 2021**

D460,186 S *	7/2002	Park	D28/59
D474,032 S *	5/2003	Jørgensen	D4/119
D497,218 S *	10/2004	Von	D28/7
D521,244 S *	5/2006	Germany	D4/119
7,185,385 B2	3/2007	Kohler et al.		
7,219,801 B2 *	5/2007	Christian	A46B 15/0091 206/229
7,361,153 B1 *	4/2008	Martin	A61H 7/003 601/135
D594,234 S *	6/2009	Harper	D4/137
D667,166 S *	9/2012	Strube	D28/7
D667,560 S *	9/2012	Caggiano	D24/215
D701,600 S	3/2014	Kauffman		
D738,628 S *	9/2015	Krohmer	D4/118
D757,441 S *	5/2016	Hwang	D4/127

(Continued)

Related U.S. Application Data

(60) Continuation-in-part of application No. 29/660,341, filed on Aug. 20, 2018, now Pat. No. Des. 913,699, and a division of application No. 29/660,341, filed on Aug. 20, 2018, now Pat. No. Des. 913,699.

(51) **LOC (14) Cl.** **04-01**

(52) **U.S. Cl.**
USPC **D4/120**

(58) **Field of Classification Search**
USPC D4/120, 138, 119, 135, 137, 108, 127,
D4/118, 134; D24/119, 215; D28/7, 59,
D28/56; D32/35
CPC A47K 7/028; A46B 15/0091; A45D 29/16;
A61H 7/003
See application file for complete search history.

(56) **References Cited**

U.S. PATENT DOCUMENTS

1,478,388 A	12/1923	Dorothy		
4,770,195 A *	9/1988	Dore	A45D 29/16 132/73
D320,698 S *	10/1991	Reich	D4/135
5,269,037 A	12/1993	White		
D367,204 S *	2/1996	Hook	D28/7
D375,595 S *	11/1996	Shumway	D32/35
5,843,005 A	12/1998	Chubinsky		
D433,537 S *	11/2000	Schoon	D28/56

OTHER PUBLICATIONS

Sephora, Sephora Collection Face Mask Applicator, <https://www.sephora.com/product/face-mask-applicator-P432705>. Jul. 2018, Internet Publication.

Primary Examiner — Rhea Shields

(74) *Attorney, Agent, or Firm* — Volk & McElroy, LLP; Michael D. Volk, Jr.

(57) **CLAIM**

The ornamental design for a skincare tool, as shown and described.

DESCRIPTION

FIG. 1 is a perspective view of a skincare tool showing my new design.

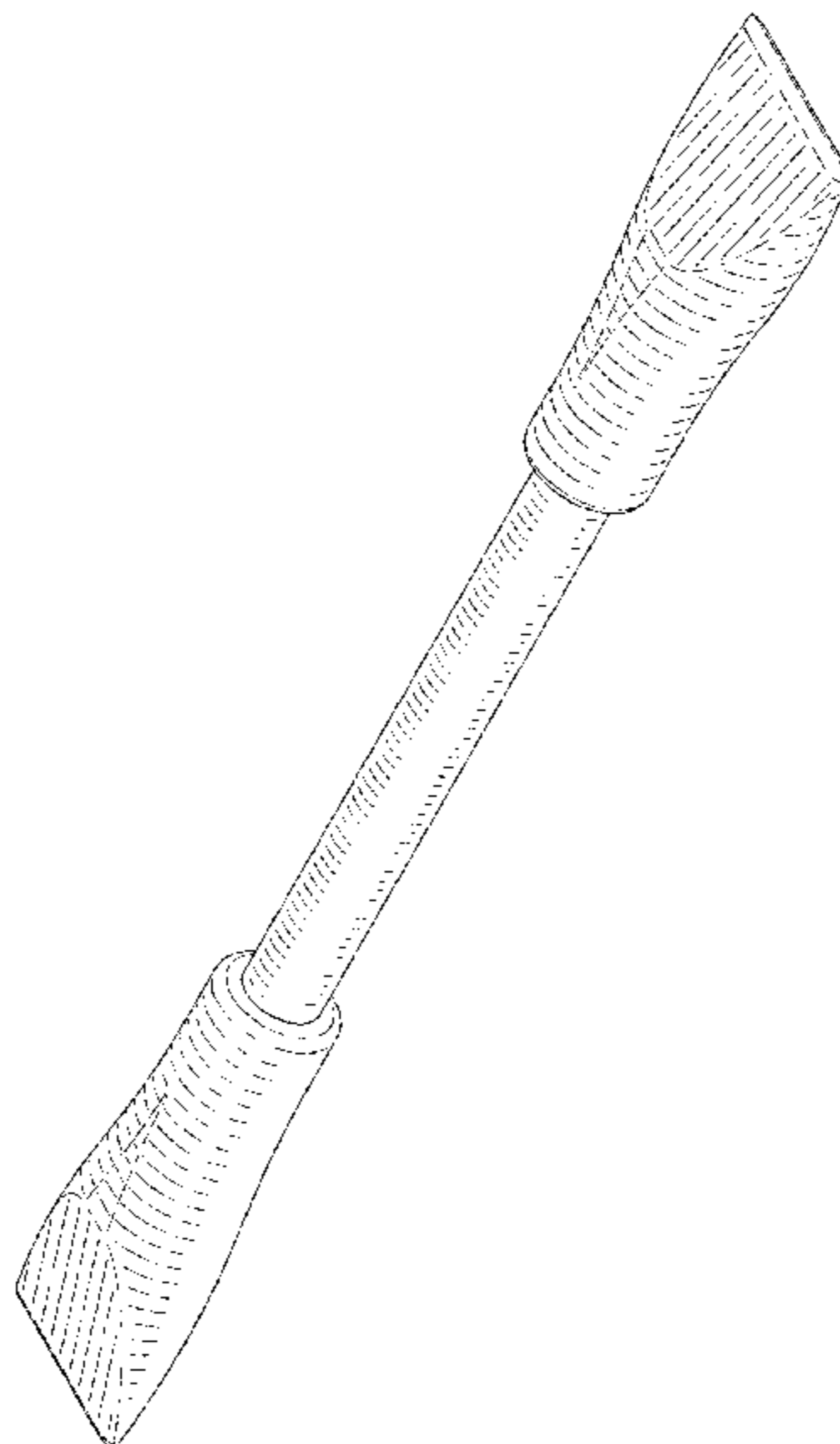
FIG. 2 is another perspective view thereof.

FIG. 3 is a right side view thereof. The left side view is the same as the right side view.

FIG. 4 is a front view thereof. The rear view is the same as the front view; and,

FIG. 5 is a top view thereof. The bottom view is the same as the top view.

1 Claim, 3 Drawing Sheets



(56)

References Cited

U.S. PATENT DOCUMENTS

9,326,644 B2 * 5/2016 Makar A47K 7/028
D781,592 S * 3/2017 Kaicker D4/127
D782,202 S * 3/2017 Machiorlette D4/138
D782,828 S * 4/2017 Hwang D4/138
D800,457 S * 10/2017 Kaicker D4/138
D803,572 S 11/2017 Nichols
D804,189 S 12/2017 Berg
D807,043 S * 1/2018 Grund D4/120
D810,447 S 2/2018 Dandridge et al.
D823,606 S 7/2018 Roth et al.
D827,308 S * 9/2018 Nicoline D4/138
D827,311 S * 9/2018 Nicoline D4/138
D830,064 S * 10/2018 Krohmer D4/135
D831,971 S * 10/2018 Porcaro D4/135
D833,156 S * 11/2018 Burditt D4/138
D856,685 S * 8/2019 Burditt D4/138
D874,155 S * 2/2020 Grant D4/108
D876,102 S * 2/2020 Eng D4/138
D880,168 S * 4/2020 Staab D4/134
D880,872 S * 4/2020 Burditt D4/138
D882,963 S * 5/2020 Harrington D4/137
D891,117 S * 7/2020 Theodosis D4/138
D893,198 S * 8/2020 Kaicker D4/138
D956,962 S * 7/2022 Lyon D24/119
2002/0189108 A1 12/2002 Zielonka
2002/0198476 A1 12/2002 Chen
2012/0118312 A1 5/2012 Rajaiah et al.
2013/0263874 A1 10/2013 Moody
2014/0213944 A1 7/2014 Kojima
2017/0188686 A1 7/2017 Tarling
2018/0028395 A1 2/2018 Roth et al.

* cited by examiner

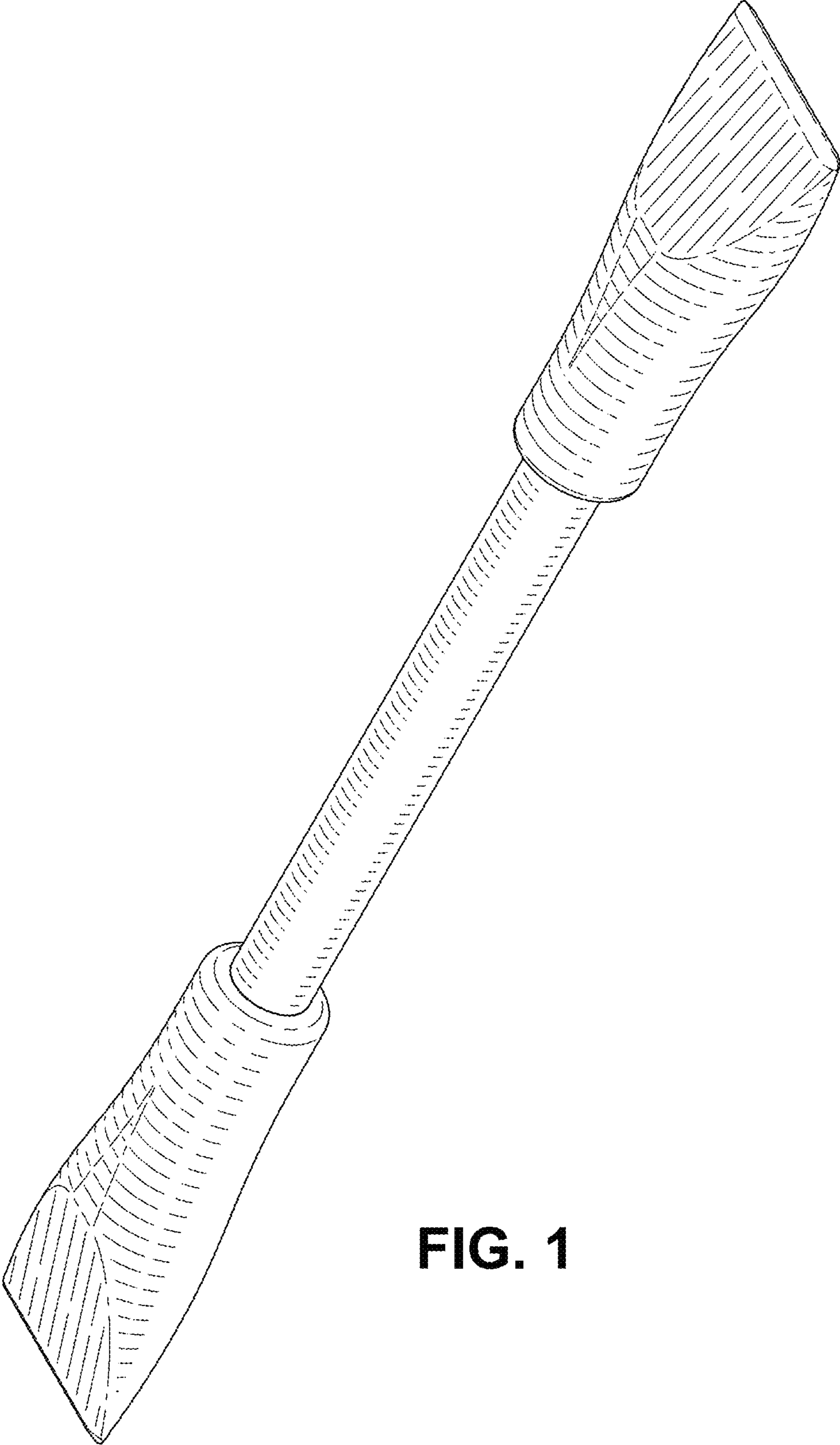


FIG. 1

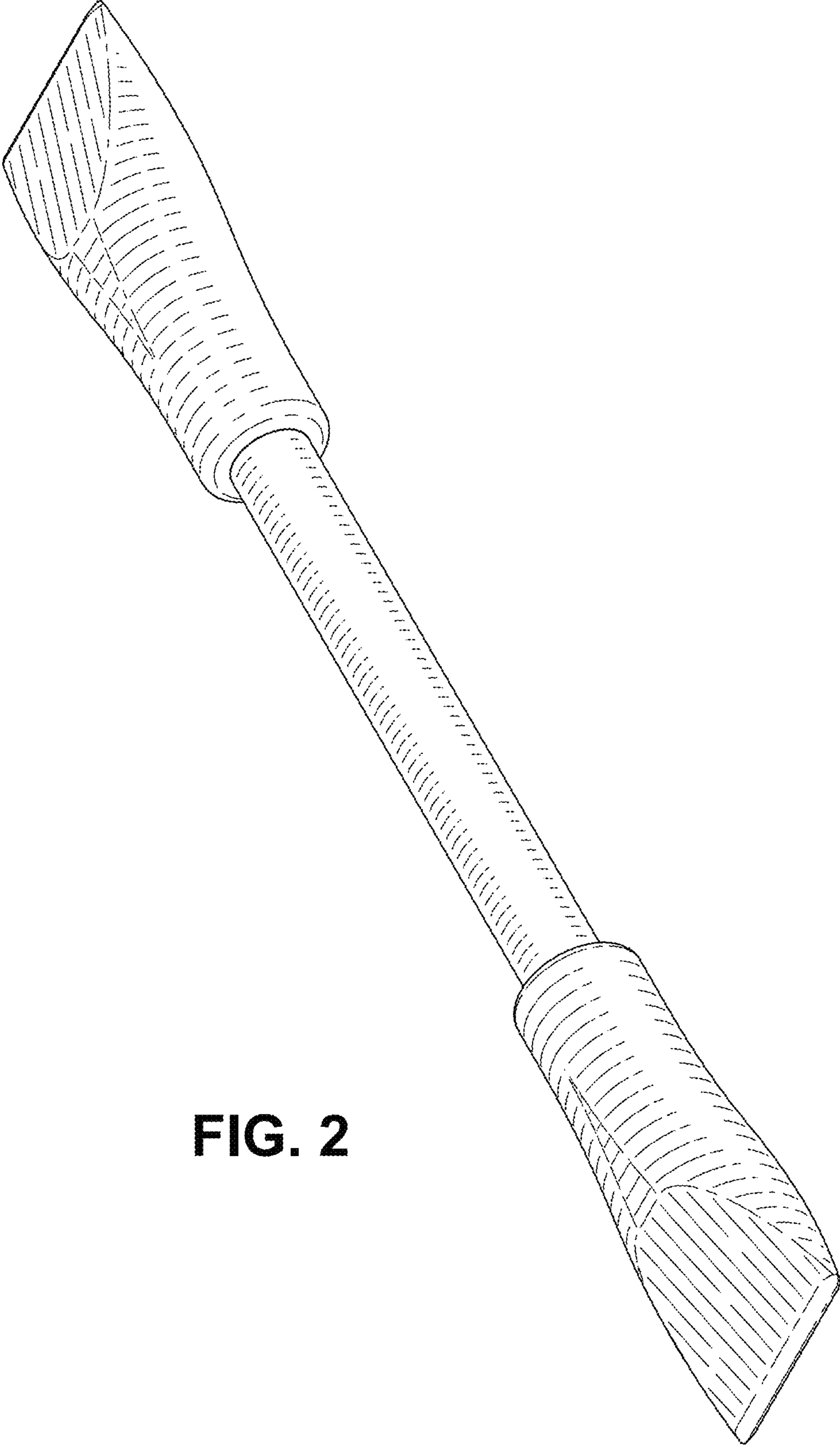


FIG. 2

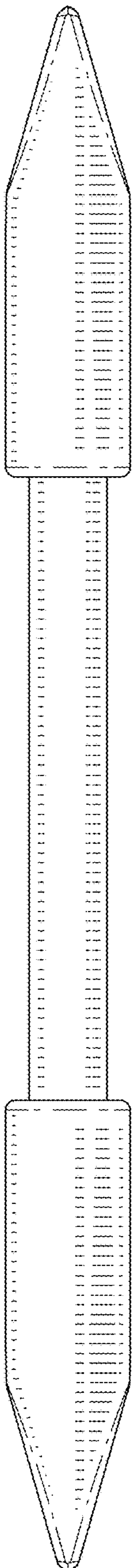


FIG. 3

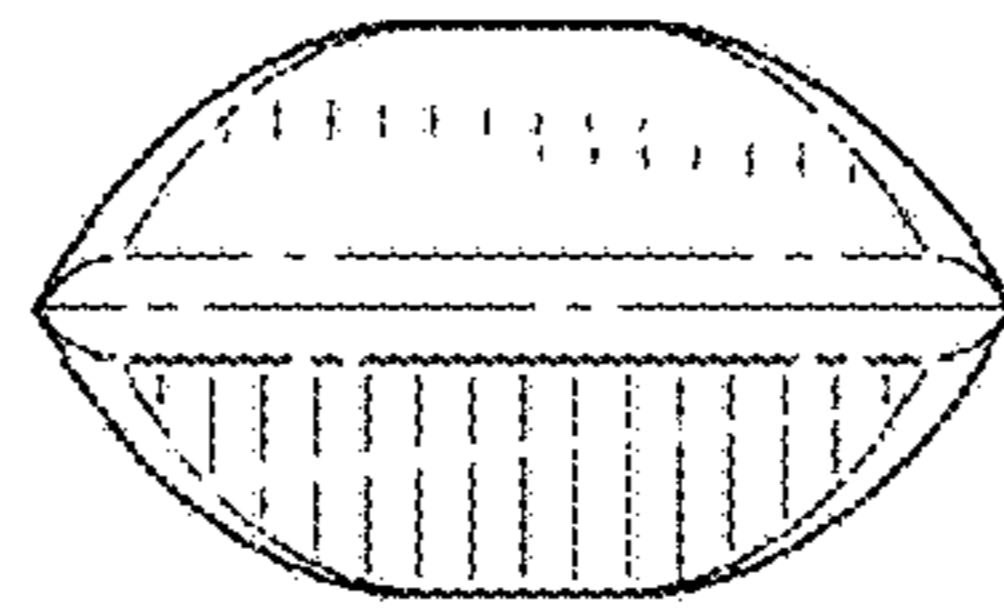


FIG. 5

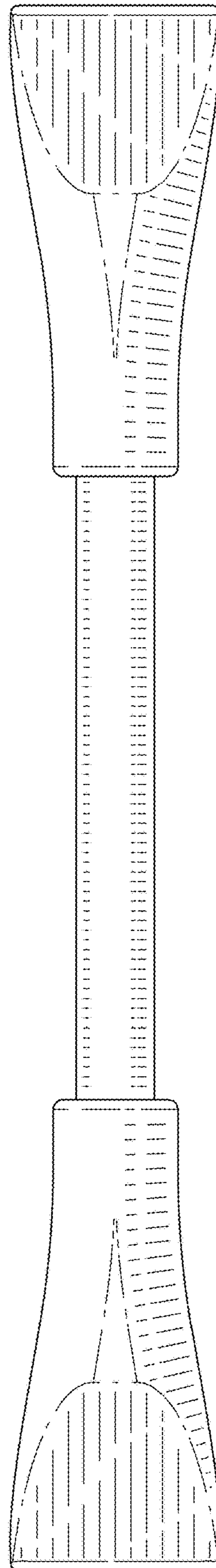


FIG. 4