



US00D988006S

(12) **United States Design Patent**  
**Haversat**

(10) **Patent No.:** **US D988,006 S**  
(45) **Date of Patent:** **\*\* Jun. 6, 2023**

- (54) **FOOT BRUSH**
- (71) Applicant: **Canfield Industries, Inc.**, Bridgeport, CT (US)
- (72) Inventor: **Mark Haversat**, Monroe, CT (US)
- (\*\*) Term: **15 Years**
- (21) Appl. No.: **29/787,890**
- (22) Filed: **Jun. 9, 2021**
- (51) **LOC (14) Cl.** ..... **04-01**
- (52) **U.S. Cl.**  
USPC ..... **D4/119**
- (58) **Field of Classification Search**  
USPC ..... D4/119, 120, 127, 128, 130, 136, 138, D4/199; D32/47  
CPC .. A46B 1/00; A46B 3/00; A46B 3/005; A46B 3/02; A46B 3/04; A46B 3/20; A46B 3/22; A46B 5/00; A46B 7/00; A46B 7/06; A46B 9/00; A46B 9/02; A46B 9/023; A46B 9/028; A46B 2200/00; A46B 2200/30; A46B 2200/306; A46B 2200/40; A46B 2200/405; A46B 15/00; A46B 15/0097; A46B 13/00; A46B 13/001; A46B 13/003; A46B 13/005; A46B 13/006; A46B 13/08; B08B 1/00  
See application file for complete search history.

- D280,868 S \* 10/1985 Russell ..... D4/118
- D283,850 S 5/1986 Miller
- D297,785 S 9/1988 Meshbesher
- 5,321,867 A 6/1994 Probst
- D363,378 S \* 10/1995 Fredricks ..... D4/130
- D374,505 S \* 10/1996 Garrison ..... D28/63
- D439,714 S 3/2001 Meshbesher

(Continued)

**OTHER PUBLICATIONS**

Scrusher—Shoe/Boot Brush & Scrubber, posted Sep. 2, 2009 [online], [retrieved Jan. 3, 2023]. Retrieved from internet, <https://www.amazon.com/dp/B0000AX6DV/> (Year: 2009).\*

(Continued)

*Primary Examiner* — Alison M Ofstun  
*Assistant Examiner* — Evin F Ershock  
(74) *Attorney, Agent, or Firm* — Antoinette M. Tease

(57) **CLAIM**

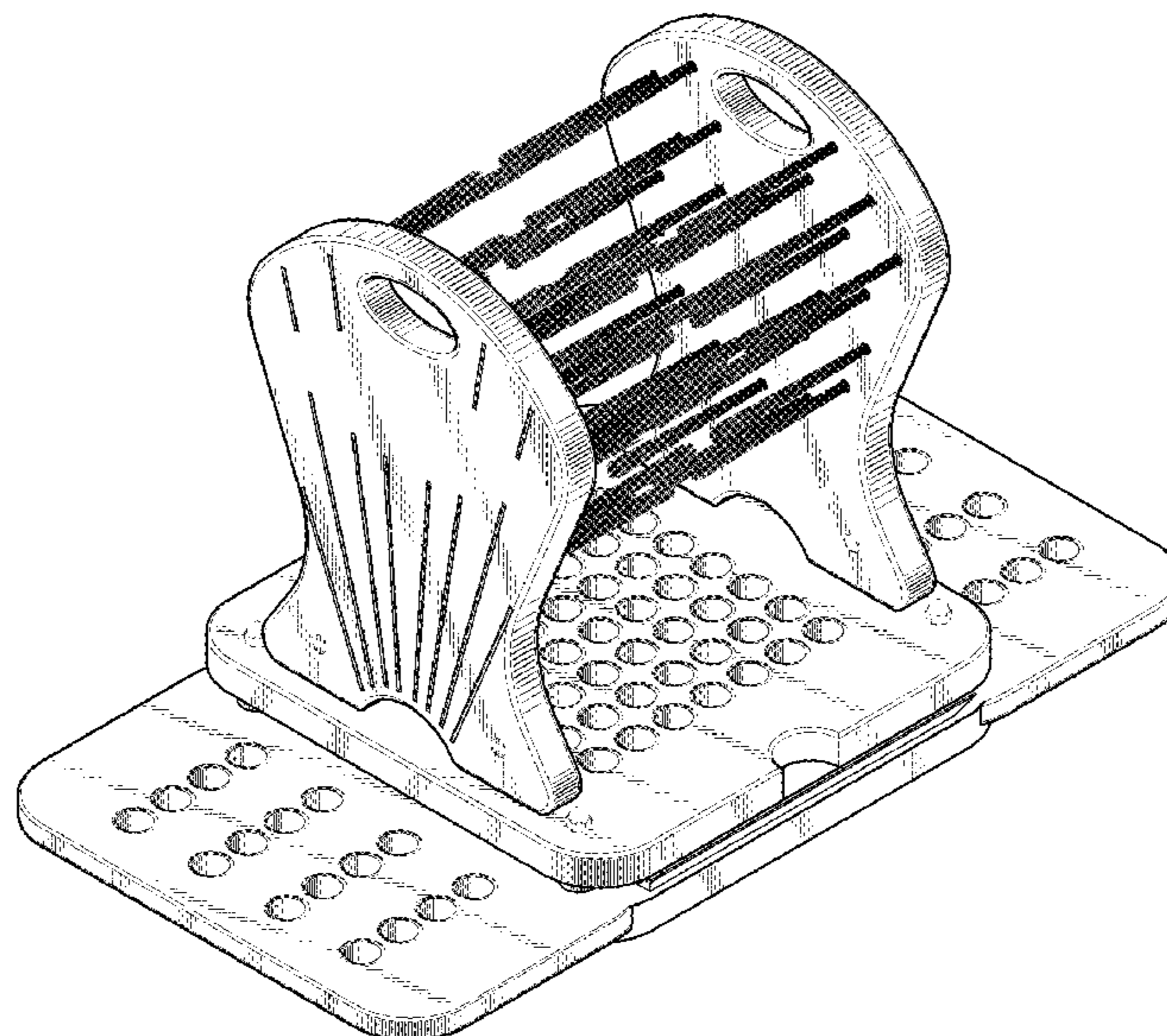
The ornamental design for a foot brush, as shown and described.

**DESCRIPTION**

FIG. 1 is a perspective view of a foot brush showing the new design.  
FIG. 2 is a top view of a foot brush showing the new design.  
FIG. 3 is a bottom view of a foot brush showing the new design.  
FIG. 4 is a front view of a foot brush showing the new design.  
FIG. 5 is a rear view of a foot brush showing the new design.  
FIG. 6 is a first side view of a foot brush showing the new design; and,  
FIG. 7 is a second side view of a foot brush showing the new design.  
The broken lines in the figures illustrate portions of the article and form no part of the claimed design.

- (56) **References Cited**  
U.S. PATENT DOCUMENTS
- 726,201 A 4/1903 Strombeck
- 1,327,943 A \* 1/1920 Cohen ..... A47L 23/22  
15/112
- 2,436,234 A 2/1948 Stein
- 2,591,331 A \* 4/1952 Baumbach ..... A46B 9/02  
15/160
- 2,852,793 A \* 9/1958 Shelton ..... A47K 7/026  
15/159.1
- D189,287 S \* 11/1960 Dobbins ..... D4/120

**1 Claim, 4 Drawing Sheets**



(56)

**References Cited**

U.S. PATENT DOCUMENTS

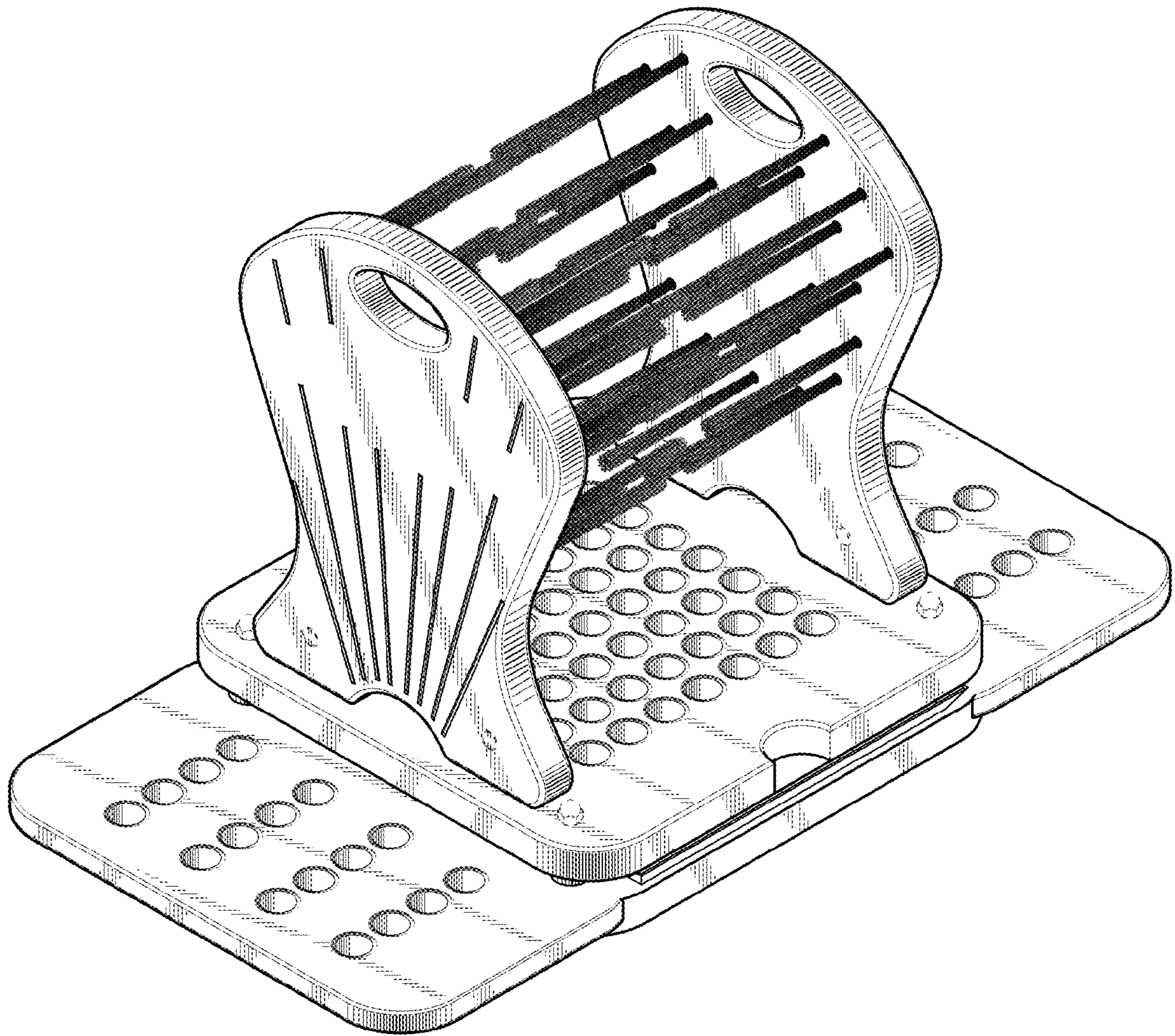
D455,867 S \* 4/2002 Pratt ..... D28/63  
D464,776 S 10/2002 Meshbeshher  
6,584,636 B2 7/2003 Schlem  
7,251,850 B1 \* 8/2007 Elliott ..... A47L 23/22  
15/161  
D584,466 S \* 1/2009 Elliott ..... D32/47  
D950,250 S \* 5/2022 Morgeson ..... D4/119  
2002/0189039 A1 12/2002 Schlem  
2021/0345854 A1 \* 11/2021 Wells ..... A46B 13/04  
2022/0061597 A1 \* 3/2022 Eberle ..... A47K 7/026

OTHER PUBLICATIONS

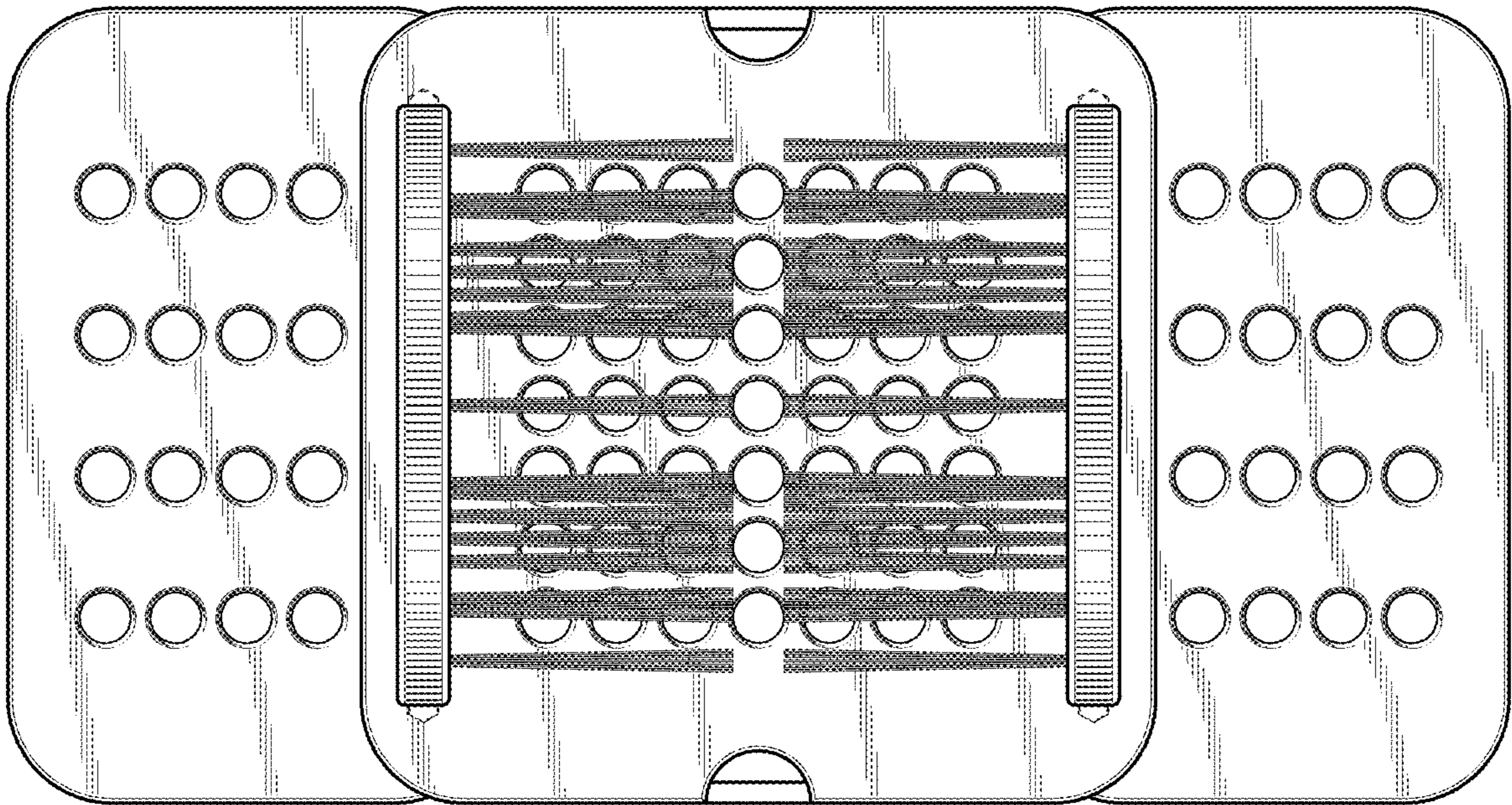
Boot Brush Cleaner Floor Mount Scraper, earliest review Jun. 5, 2016 [online], [retrieved Jan. 3, 2023]. Retrieved from internet, <https://www.amazon.com/dp/B013UOUV24/> (Year: 2016).\*

Cadillac Boot Scrubber Cleaner Shoe Brush, posted Oct. 18, 2010 [online], [retrieved xx/xx/xx]. Retrieved from internet, <https://www.amazon.com/dp/B008WCZCWE/> (Year: 2010).\*

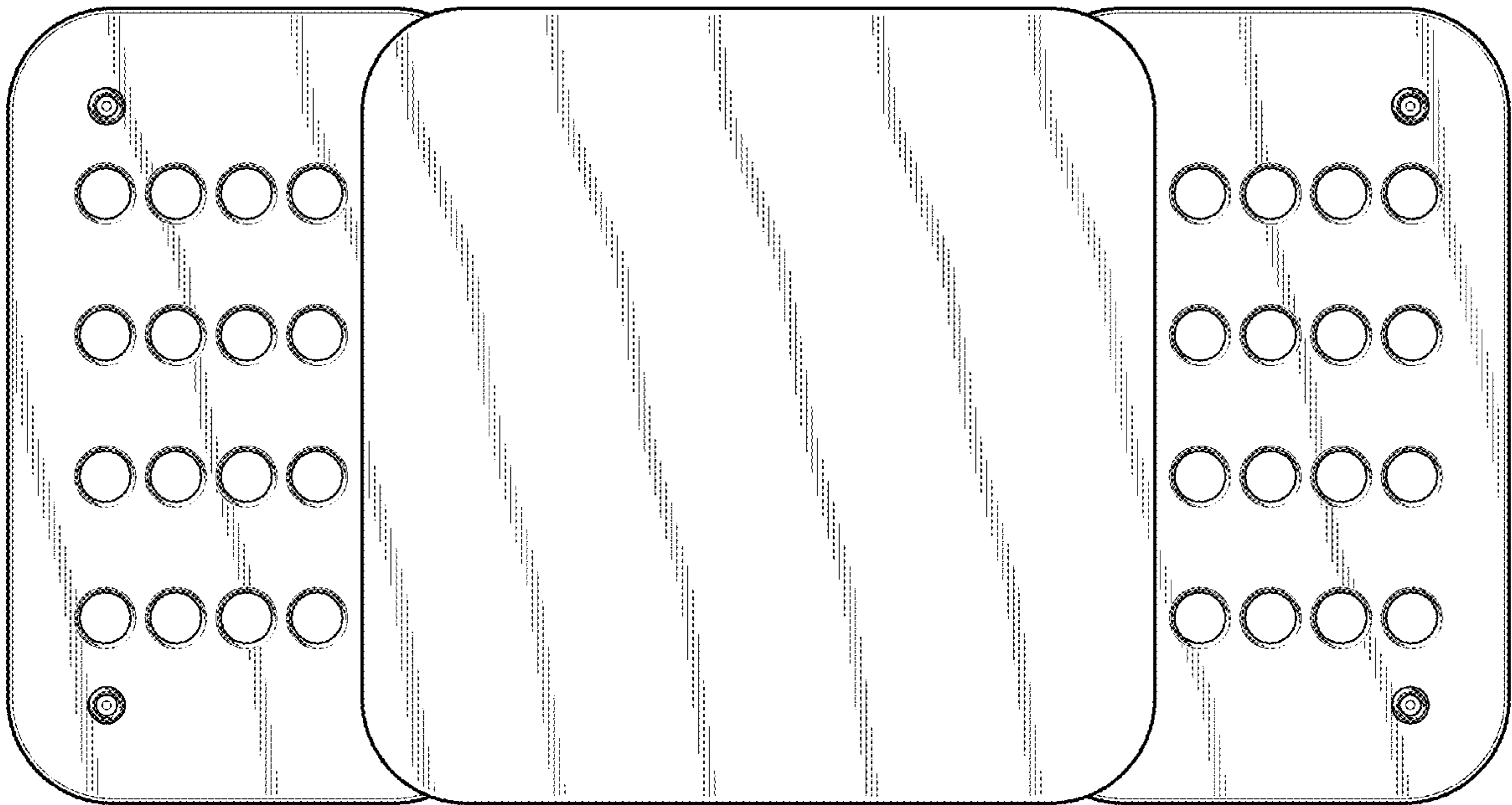
\* cited by examiner



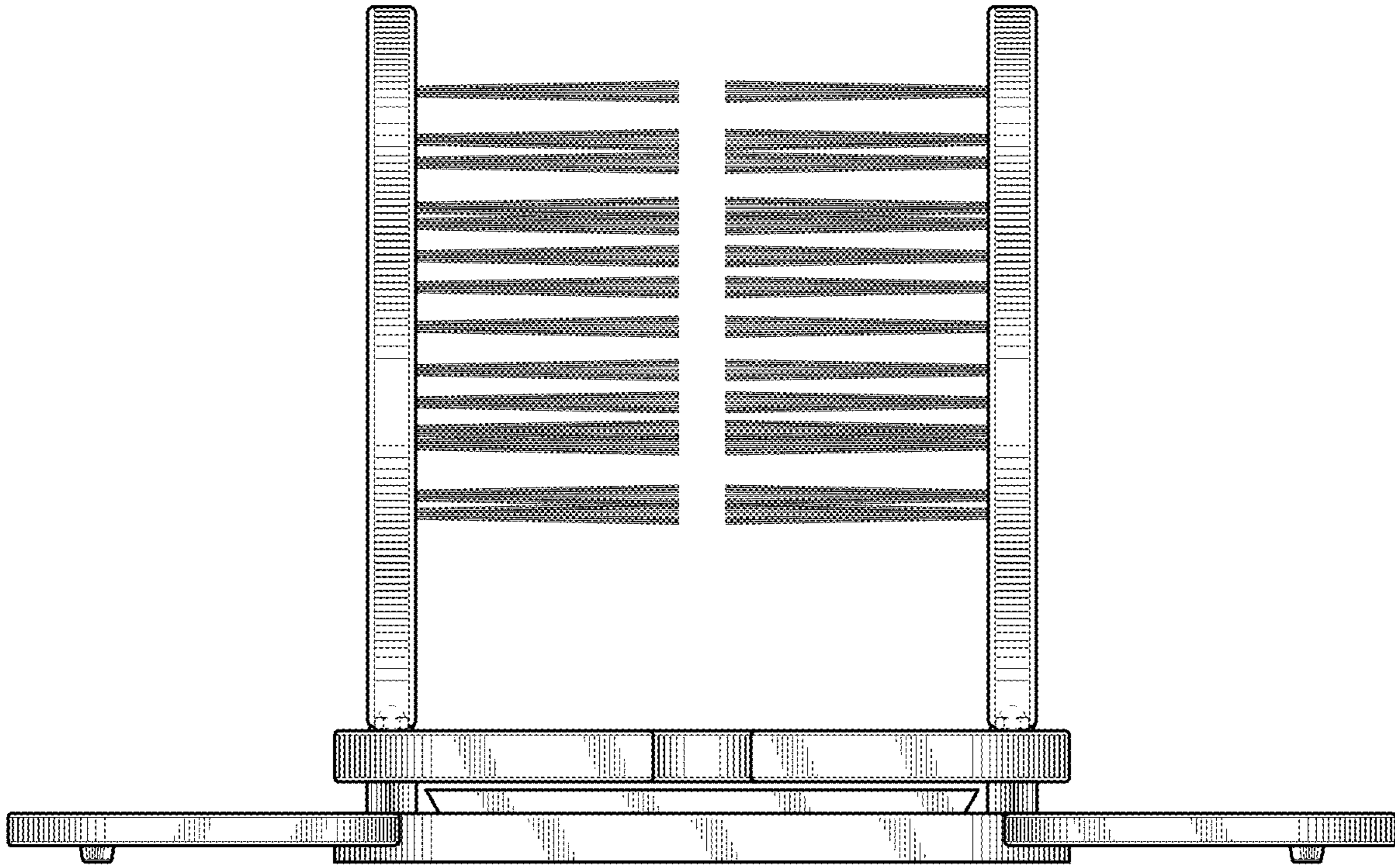
*Fig.1*



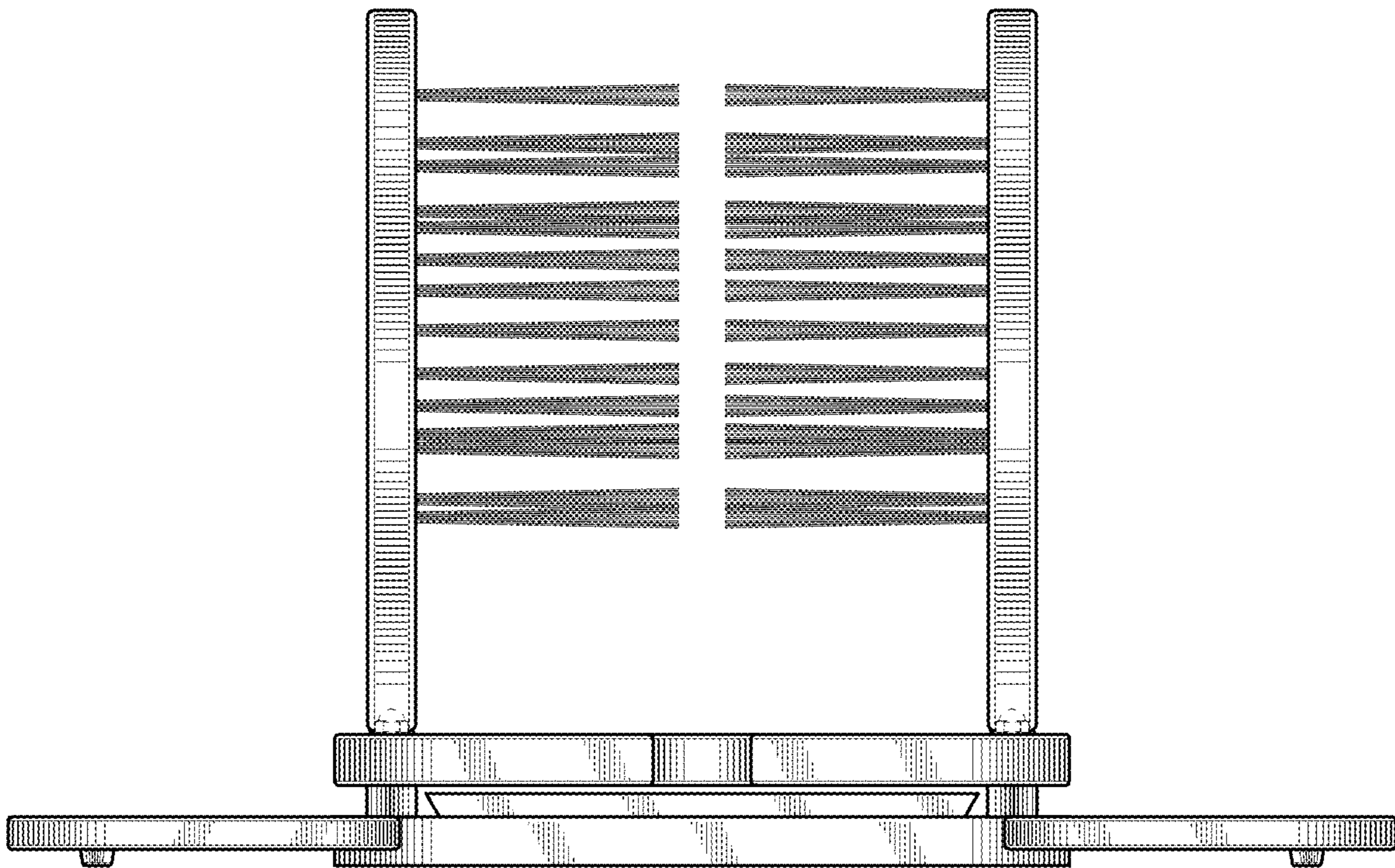
*Fig.2*



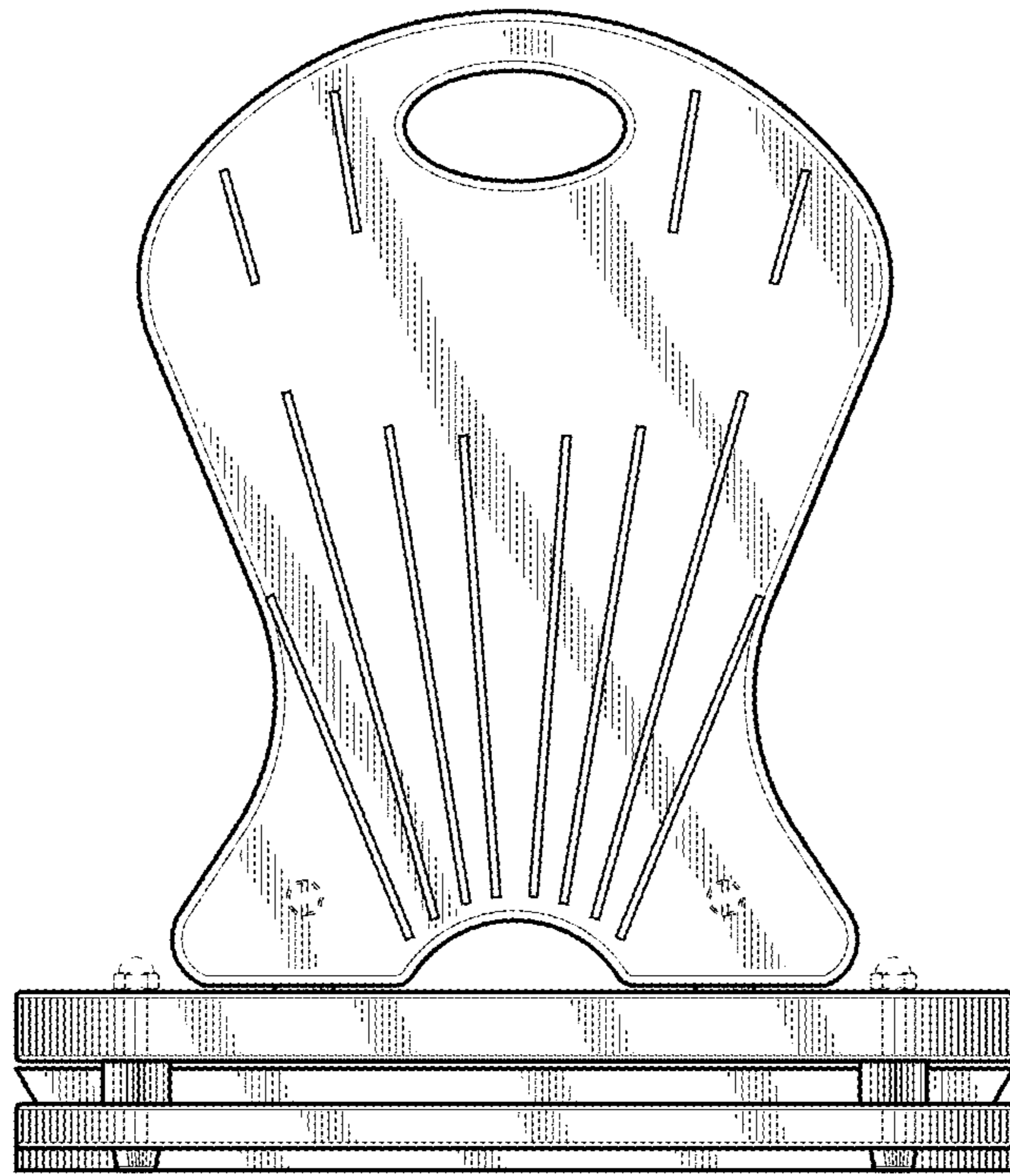
*Fig.3*



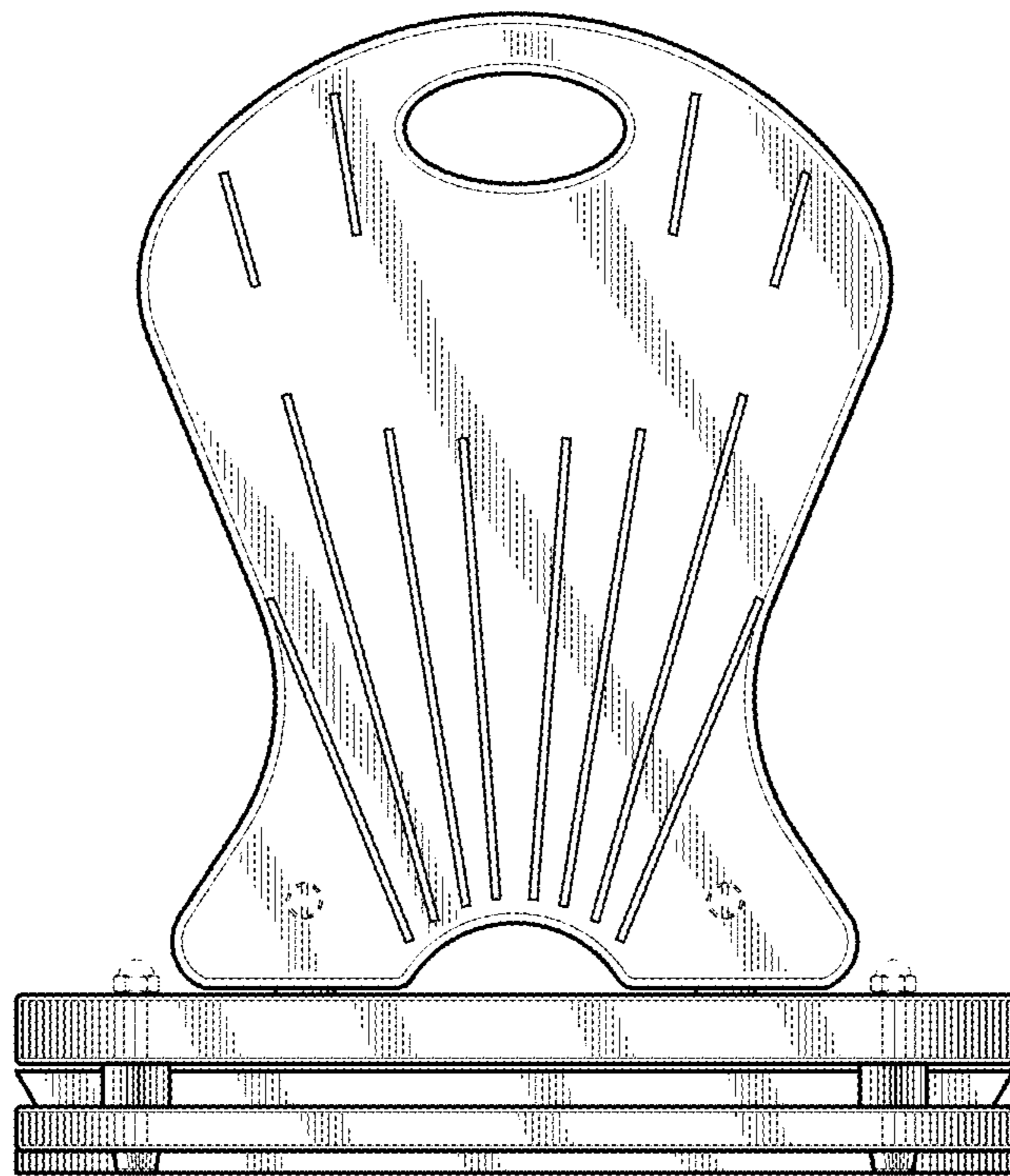
*Fig.4*



*Fig.5*



*Fig.6*



*Fig.7*