



US00D988005S

(12) **United States Design Patent**
Haversat

(10) **Patent No.:** **US D988,005 S**
(45) **Date of Patent:** **** Jun. 6, 2023**

- (54) **FOOT BRUSH**
- (71) Applicant: **Canfield Industries, Inc.**, Bridgeport, CT (US)
- (72) Inventor: **Mark Haversat**, Monroe, CT (US)
- (**) Term: **15 Years**
- (21) Appl. No.: **29/787,886**
- (22) Filed: **Jun. 9, 2021**
- (51) **LOC (14) Cl.** **04-01**
- (52) **U.S. Cl.**
USPC **D4/119**
- (58) **Field of Classification Search**
USPC D4/119, 120, 127, 128, 130, 136, 138, D4/199; D32/47
CPC .. A46B 1/00; A46B 3/00; A46B 3/005; A46B 3/02; A46B 3/04; A46B 3/20; A46B 3/22; A46B 5/00; A46B 7/00; A46B 7/06; A46B 9/00; A46B 9/02; A46B 9/023; A46B 9/028; A46B 2200/00; A46B 2200/30; A46B 2200/306; A46B 2200/40; A46B 2200/405; A46B 15/00; A46B 15/0097; A46B 13/00; A46B 13/001; A46B 13/003; A46B 13/005; A46B 13/006; A46B 13/08; B08B 1/00
See application file for complete search history.

D280,868 S * 10/1985 Russell D4/118
 D283,850 S 5/1986 Miller
 D297,785 S 9/1988 Meshbeshher
 5,321,867 A 6/1994 Probst
 D363,378 S * 10/1995 Fredricks D4/130
 D374,505 S * 10/1996 Garrison D28/63
 D439,714 S 3/2001 Meshbeshher
 (Continued)

OTHER PUBLICATIONS

Scrusher—Shoe/Boot Brush & Scrubber, posted Sep. 2, 2009 [online], [retrieved Jan. 3, 2023]. Retrieved from internet, <https://www.amazon.com/dp/B0000AX6DV/> (Year: 2009).*

(Continued)

Primary Examiner — Alison M Ofstun
Assistant Examiner — Evin F Ershock
(74) *Attorney, Agent, or Firm* — Antoinette M. Tease

(57) **CLAIM**

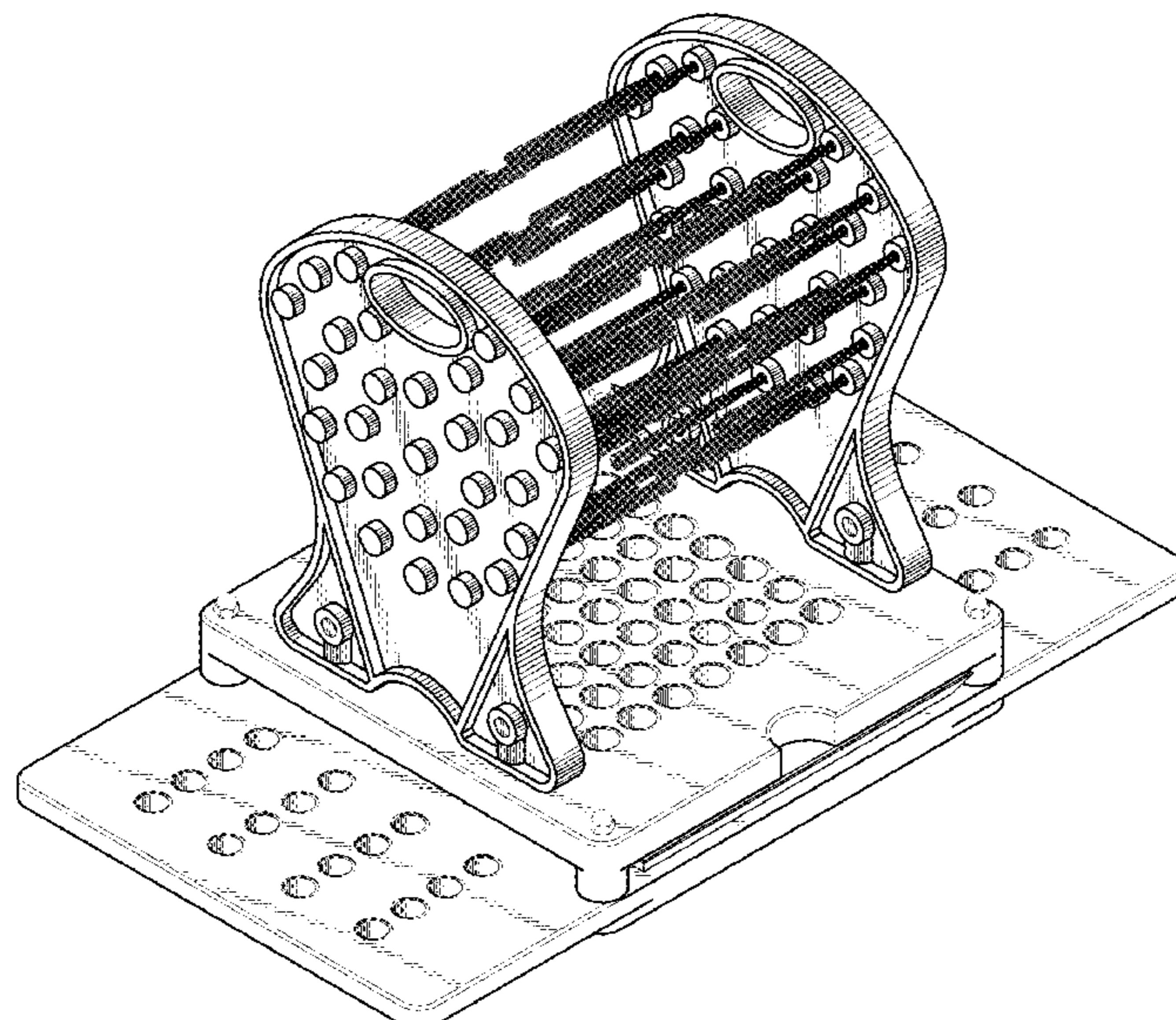
The ornamental design for a foot brush, as shown and described.

DESCRIPTION

FIG. 1 is a perspective view of a foot brush showing the new design.
 FIG. 2 is a top view of a foot brush showing the new design.
 FIG. 3 is a bottom view of a foot brush showing the new design.
 FIG. 4 is a front view of a foot brush showing the new design.
 FIG. 5 is a rear view of a foot brush showing the new design.
 FIG. 6 is a first side view of a foot brush showing the new design; and,
 FIG. 7 is a second side view of a foot brush showing the new design.
 The broken lines in the figures illustrate portions of the article and form no part of the claimed design.

- (56) **References Cited**
U.S. PATENT DOCUMENTS
726,201 A 4/1903 Strombeck
1,327,943 A * 1/1920 Cohen A47L 23/22
15/112
2,436,234 A 2/1948 Stein
2,591,331 A * 4/1952 Baumbach A46B 9/02
15/160
2,852,793 A * 9/1958 Shelton A47K 7/026
15/159.1
D189,287 S * 11/1960 Dobbins D4/120

1 Claim, 4 Drawing Sheets



(56)

References Cited

U.S. PATENT DOCUMENTS

D455,867 S * 4/2002 Pratt D28/63
D464,776 S 10/2002 Meshbeshher
6,584,636 B2 7/2003 Schlem
7,251,850 B1 * 8/2007 Elliott A47L 23/22
15/161
D584,466 S * 1/2009 Elliott D32/47
D950,250 S * 5/2022 Morgeson D4/119
2002/0189039 A1 12/2002 Schlem
2021/0345854 A1 * 11/2021 Wells A46B 13/04
2022/0061597 A1 * 3/2022 Eberle A47K 7/026

OTHER PUBLICATIONS

Boot Brush Cleaner Floor Mount Scraper, earliest review Jun. 5, 2016 [online], [retrieved Jan. 3, 2023]. Retrieved from internet, <https://www.amazon.com/dp/B013UOUV24/> (Year: 2016).*

Cadillac Boot Scrubber Cleaner Shoe Brush, posted Oct. 18, 2010 [online], [retrieved xx/xx/xx]. Retrieved from internet, <https://www.amazon.com/dp/B008WCZCWE/> (Year: 2010).*

* cited by examiner

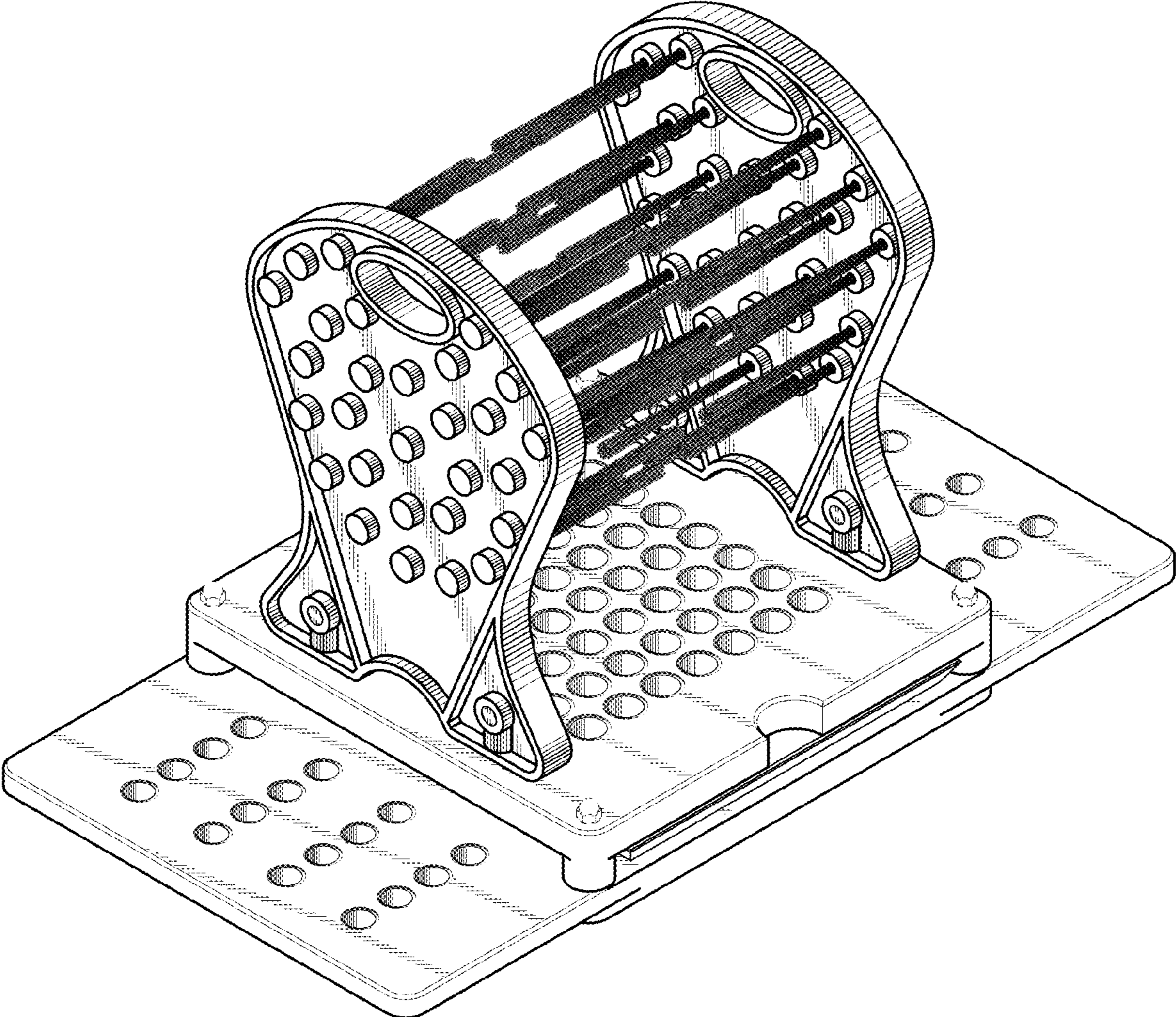


Fig.1

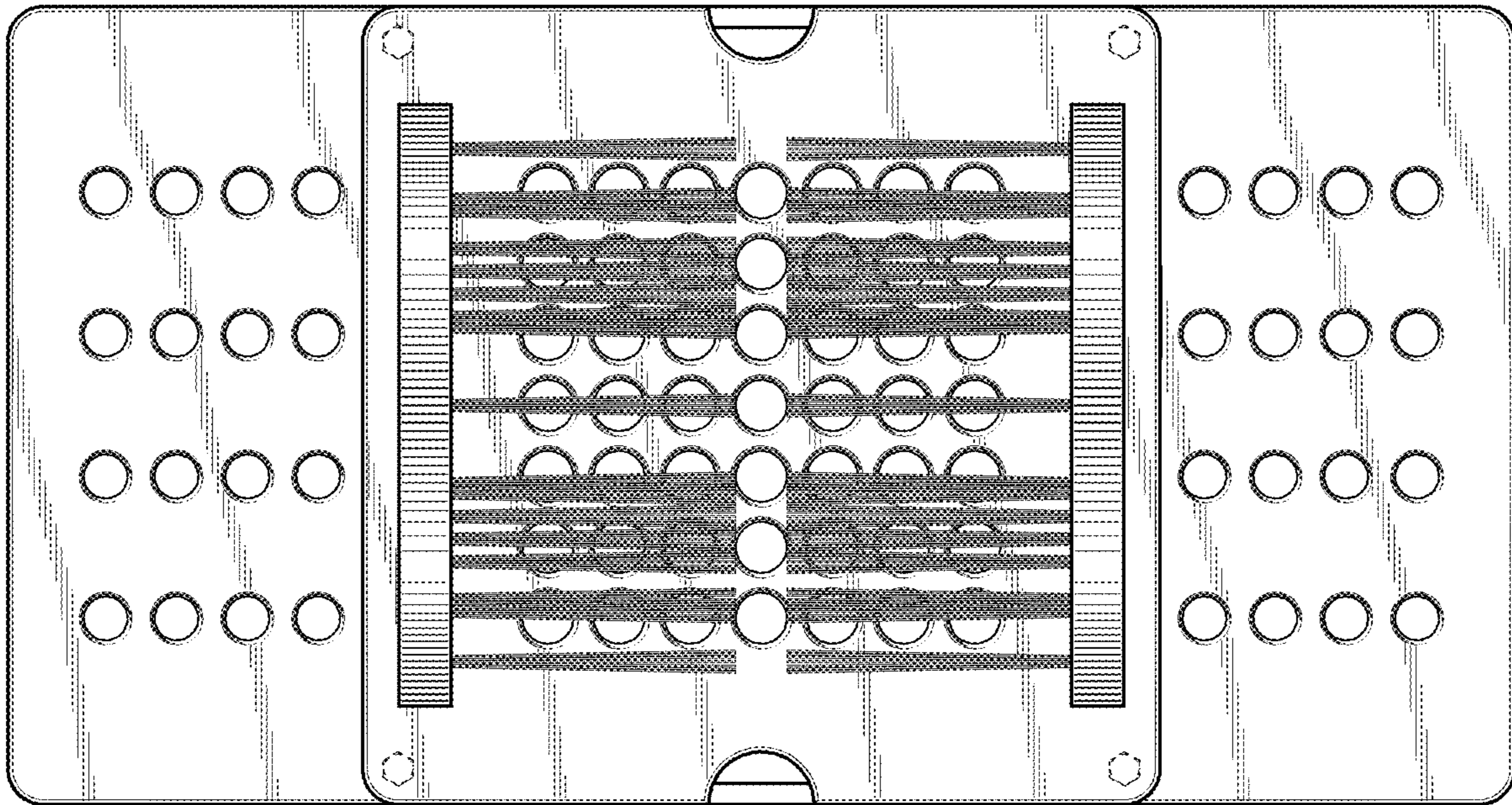


Fig.2

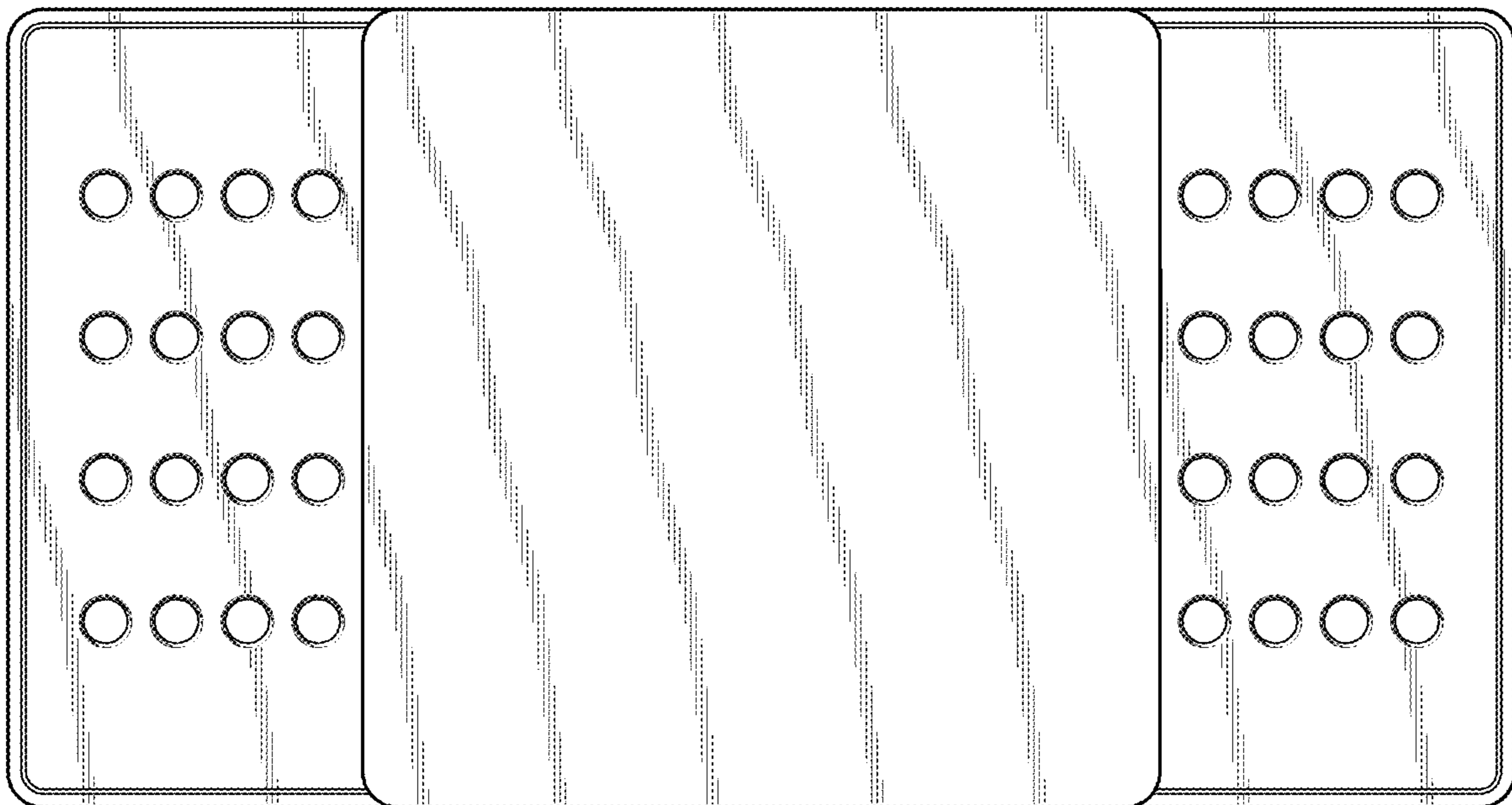


Fig.3

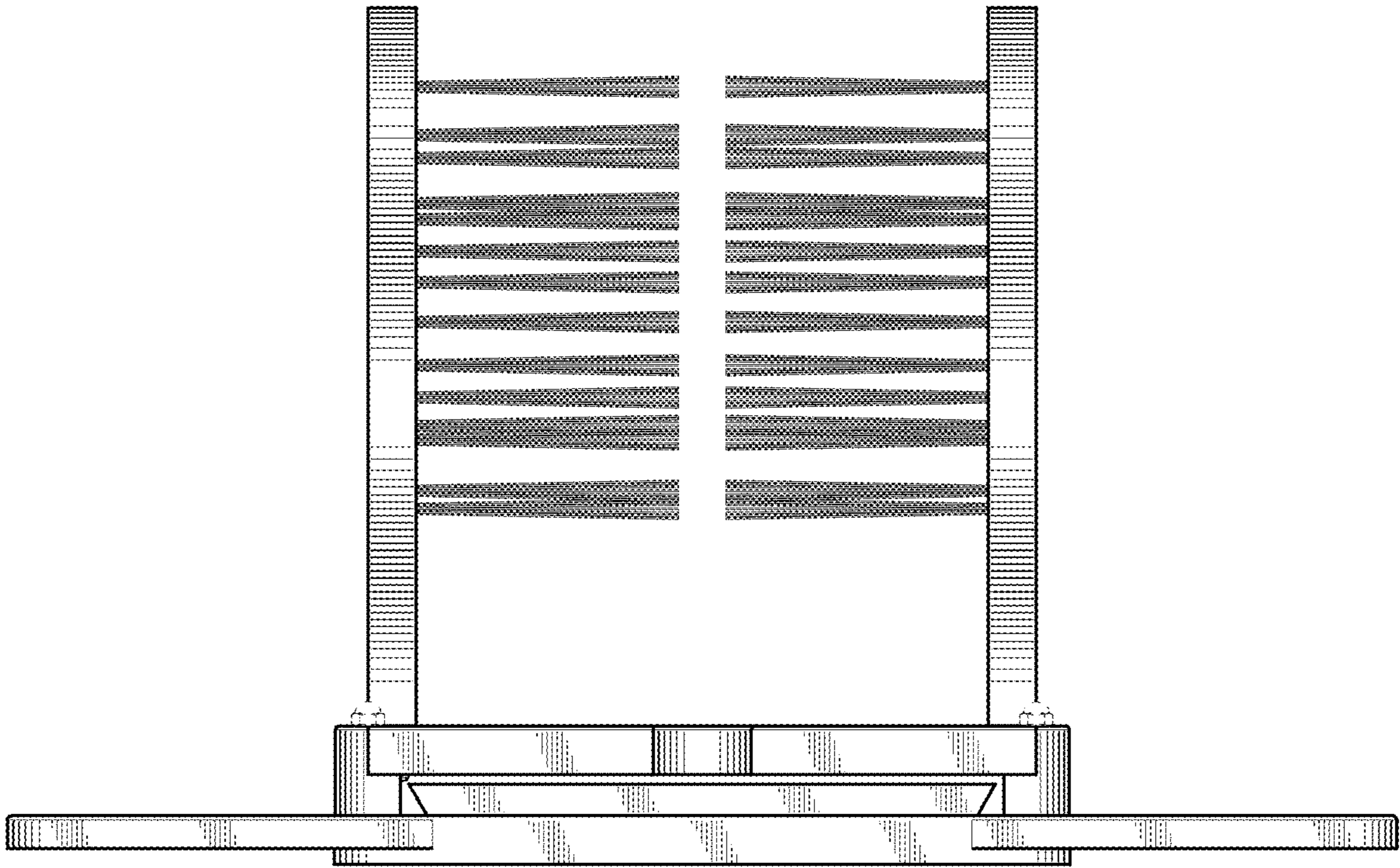


Fig.4

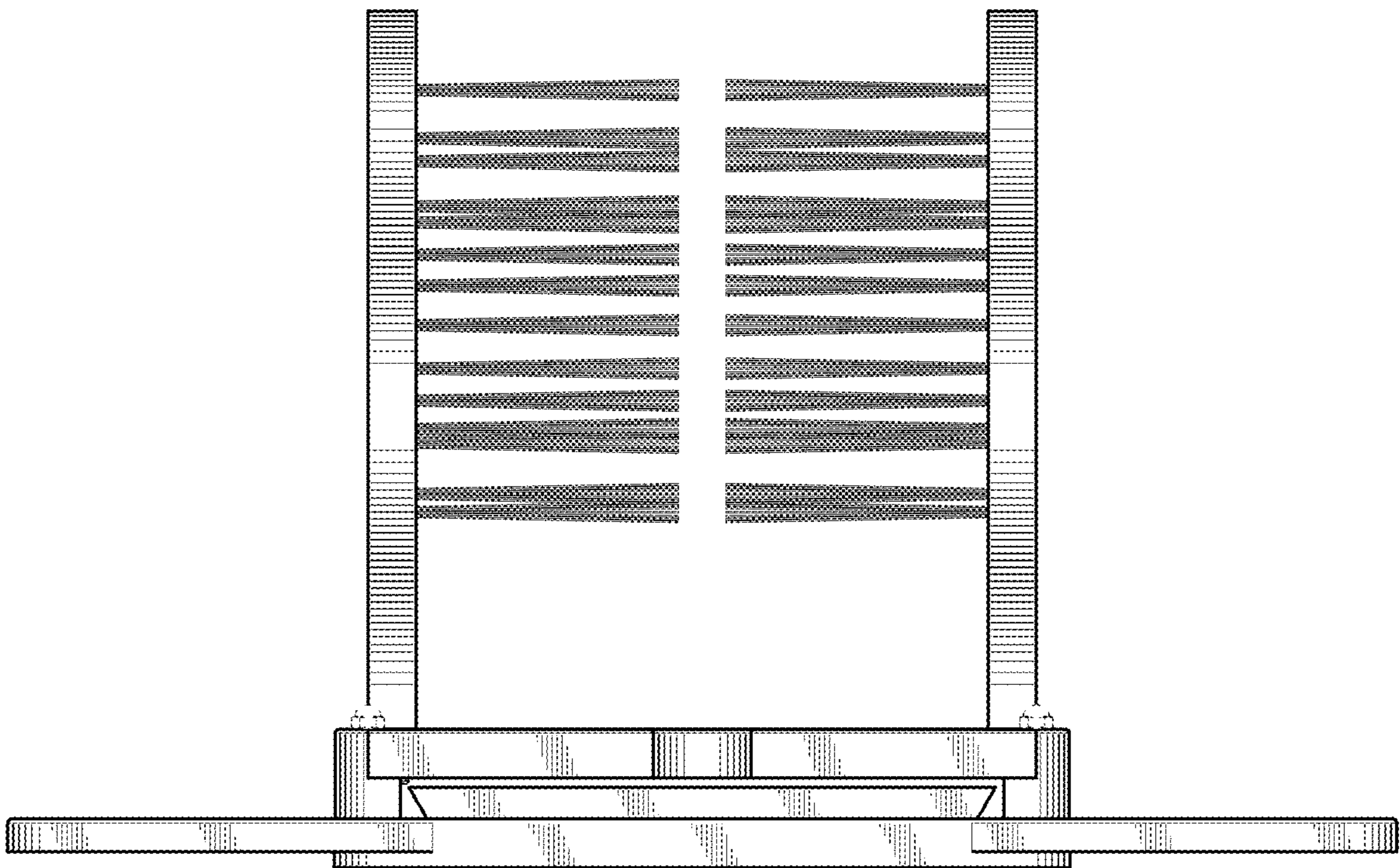


Fig.5

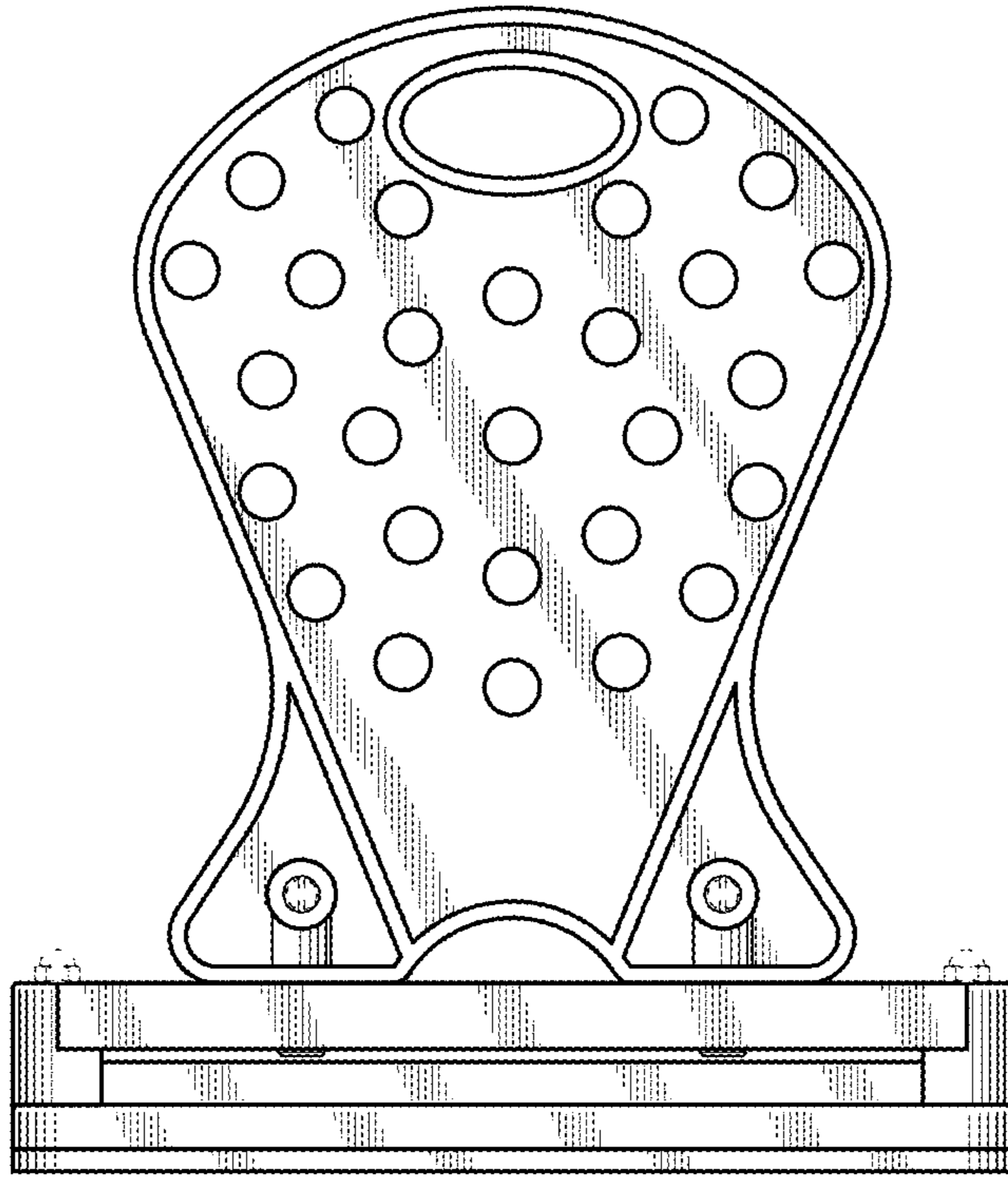


Fig.6

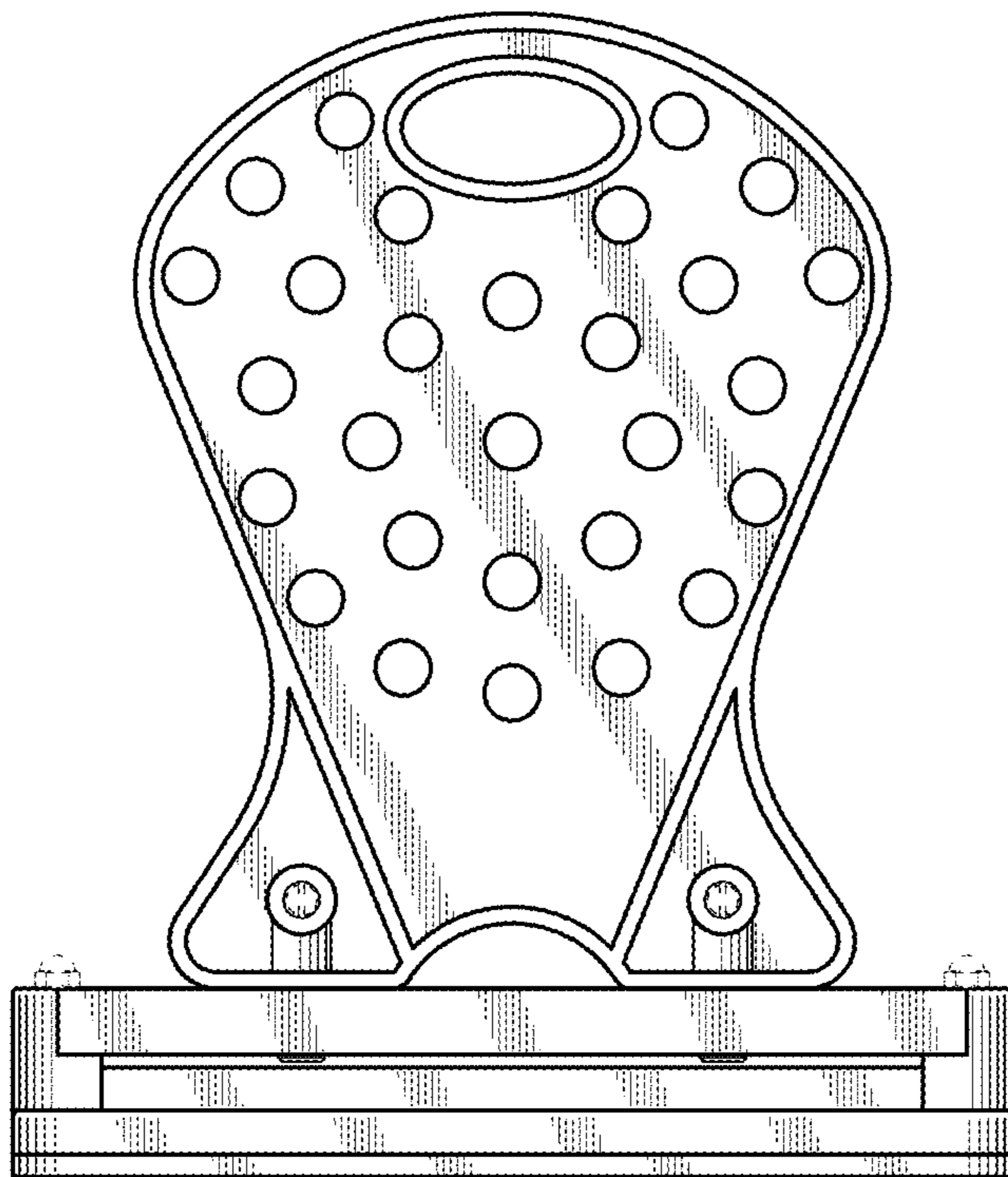


Fig.7