



US00D988004S

(12) **United States Design Patent**
Zhu et al.

(10) **Patent No.:** **US D988,004 S**
(45) **Date of Patent:** **** Jun. 6, 2023**

(54) **TOILET BRUSH SET**

(71) Applicant: **JIAXING JACKSON TRAVEL PRODUCTS CO., LTD.**, Jiaxing (CN)

(72) Inventors: **Xuelin Zhu**, Jiaxing (CN); **Zhongfu Liu**, Jiaxing (CN)

(73) Assignee: **JIAXING JACKSON TRAVEL PRODUCTS CO., LTD.**, Jiaxing (CN)

(**) Term: **15 Years**

(21) Appl. No.: **29/767,636**

(22) Filed: **Jan. 25, 2021**

(30) **Foreign Application Priority Data**

Jul. 24, 2020 (CN) 202030408731.6

(51) **LOC (14) Cl.** **04-01**

(52) **U.S. Cl.**
USPC **D4/116; D4/128; D6/551**

(58) **Field of Classification Search**
USPC D4/116–121, 130, 132, 134, 137, 138;
D32/14, 35, 40–42, 46, 49, 51, 52;
D6/524, 527, 551
CPC .. A46B 3/18; A46B 5/00; A46B 9/021; A46B
11/00; A46B 11/0003; A46B 2200/1053;
A45D 40/26; A45D 40/265
See application file for complete search history.

(56) **References Cited**

U.S. PATENT DOCUMENTS

D281,743 S	*	12/1985	Thompson	D4/121
D499,593 S	*	12/2004	Berti	D6/551
D576,801 S	*	9/2008	Dretzka	D4/116
D917,197 S	*	4/2021	Kwak	D6/524
D972,310 S	*	12/2022	Cheng	D4/116
D974,771 S	*	1/2023	Hao	D4/116

OTHER PUBLICATIONS

Amazon—Mr. Siga Store; “Mr. Siga Toilet Brush with Holder . . .”; [online] “https://www.amazon.com/dp/B07CZ96P1S”; dated May 9, 2018; accessed Jan. 11, 2023; 4pgs. (Year: 2018).*

* cited by examiner

Primary Examiner — Keli L Hill

(74) *Attorney, Agent, or Firm* — Bayramoglu Law Offices LLC

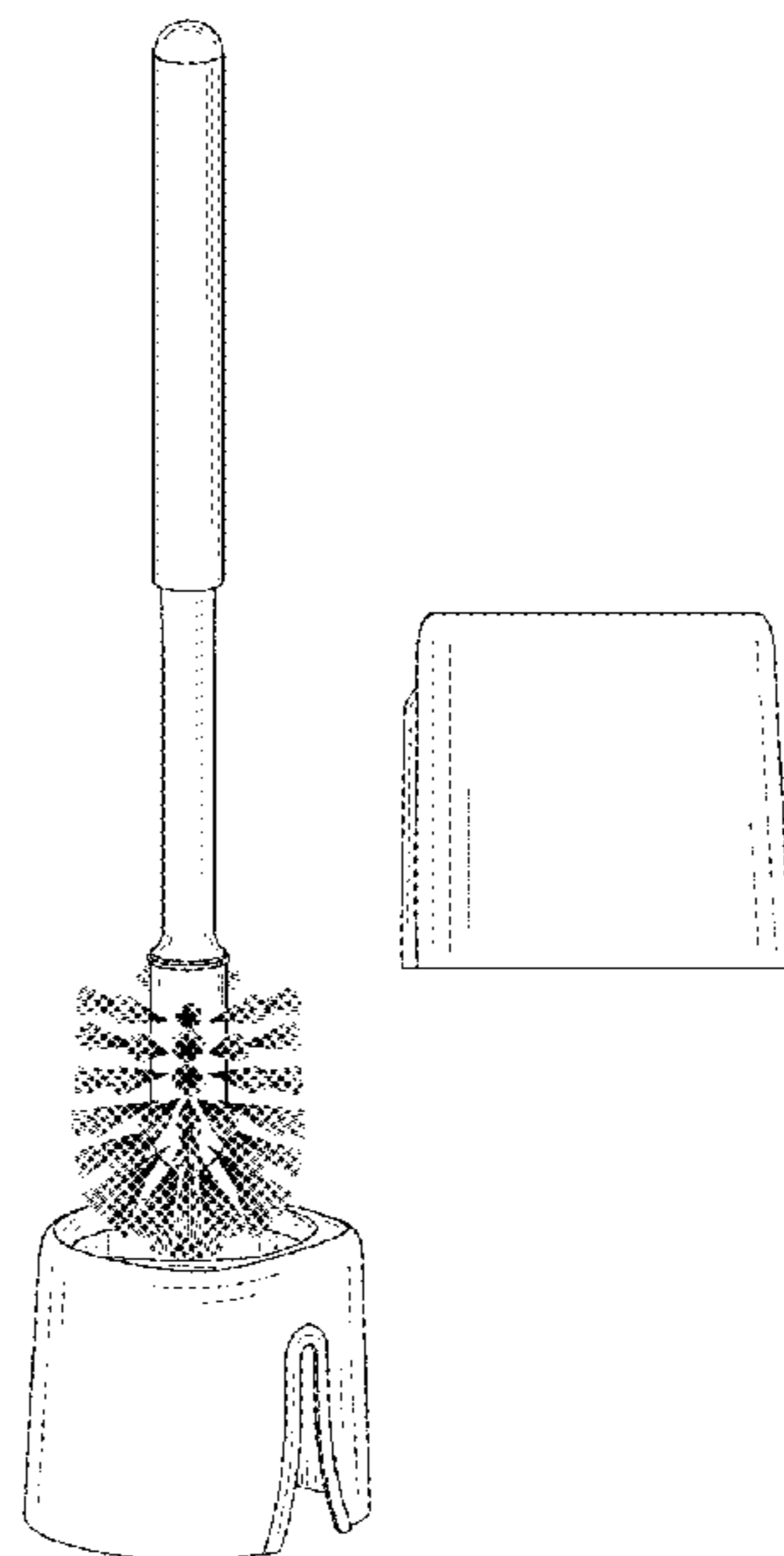
(57) **CLAIM**

The ornamental design for a toilet brush set, as shown and described.

DESCRIPTION

FIG. 1 is a perspective view of a toilet brush set showing our new design;
FIG. 2 is a perspective view of a toilet brush of the toilet brush set;
FIG. 3 is a front view thereof, a rear view being omitted since the rear view is identical to the front view;
FIG. 4 is a left side view thereof, a right side view being omitted since the right side view is identical to the left side view;
FIG. 5 is a top view thereof, a bottom view being omitted since the bottom view is invisible in normal use;
FIG. 6 is a rear view of a brush holder of the toilet brush set;
FIG. 7 is a front view thereof;
FIG. 8 is a perspective view thereof;
FIG. 9 is a right side view thereof, a left side view being omitted since the left side view is identical to the right side view; and,
FIG. 10 is a top view thereof, a bottom view being omitted since the bottom view is invisible in normal use.

1 Claim, 10 Drawing Sheets



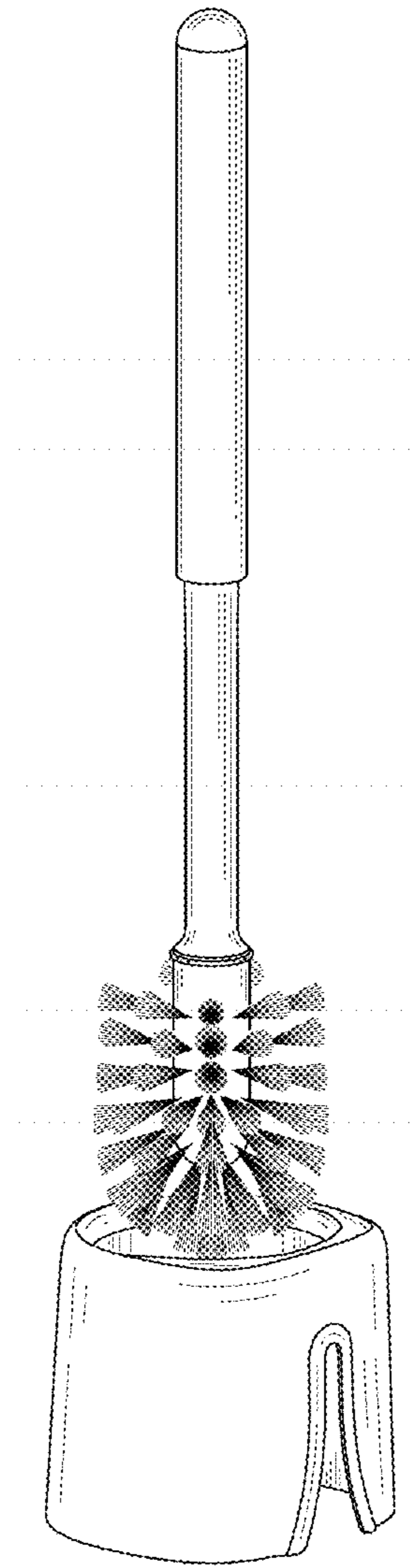


FIG. 1

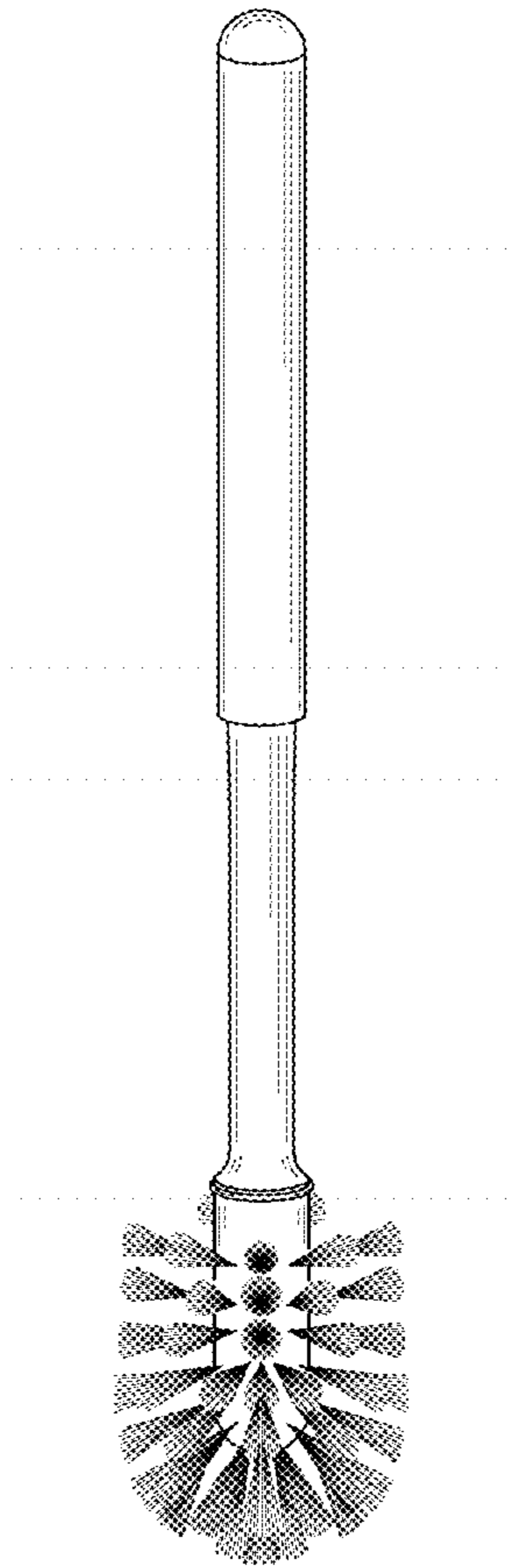


FIG. 2

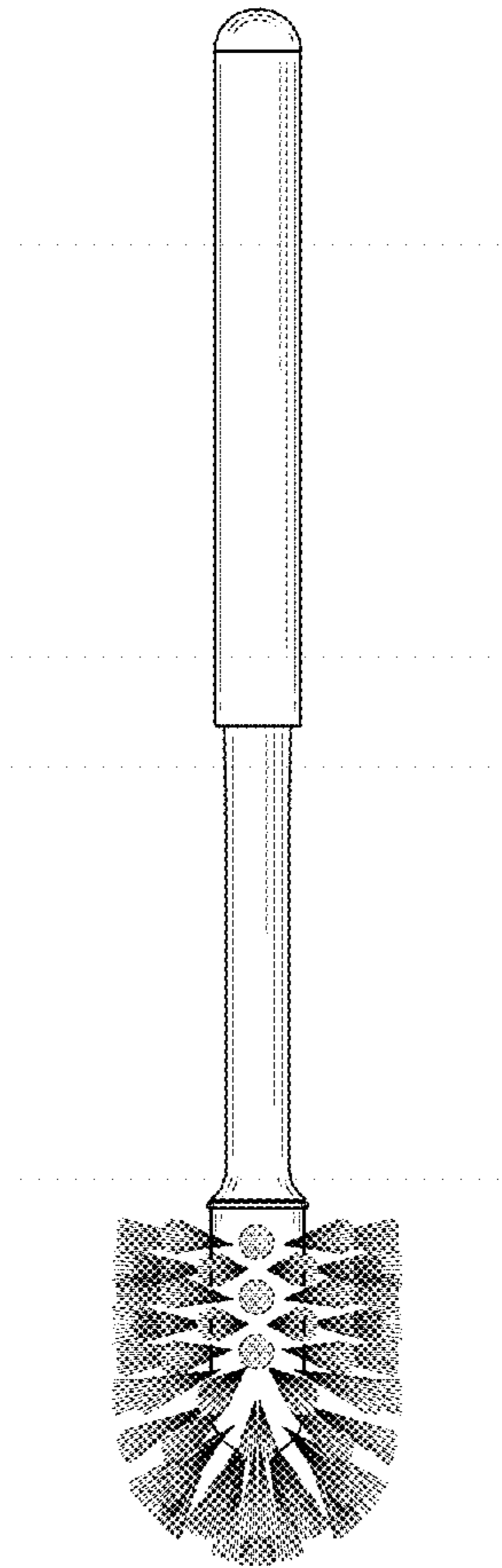


FIG. 3

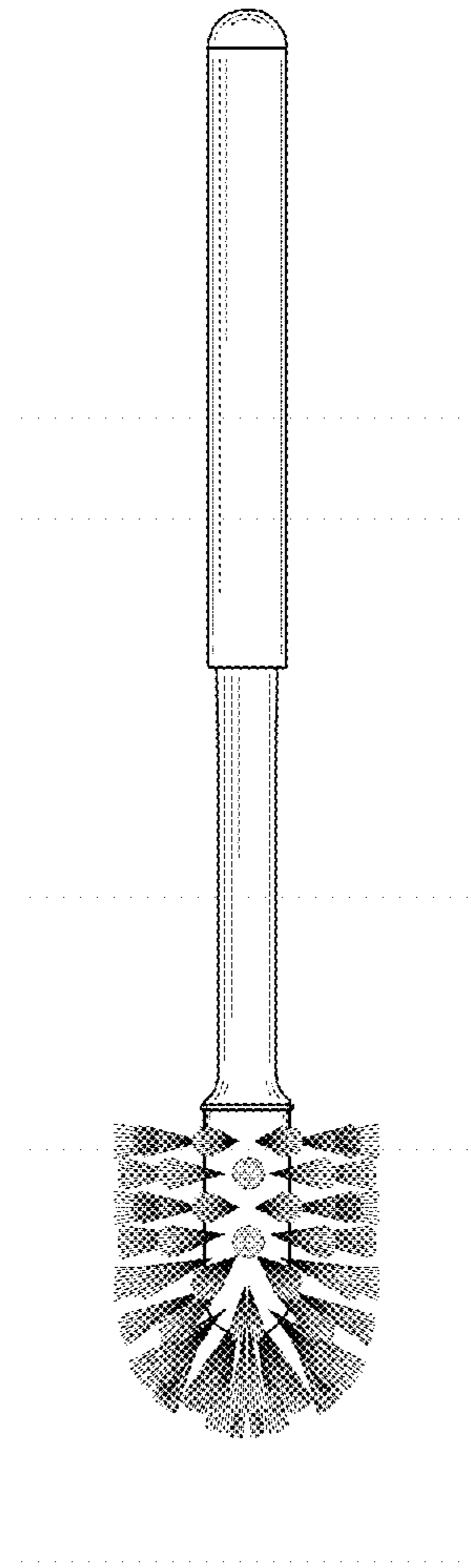


FIG. 4

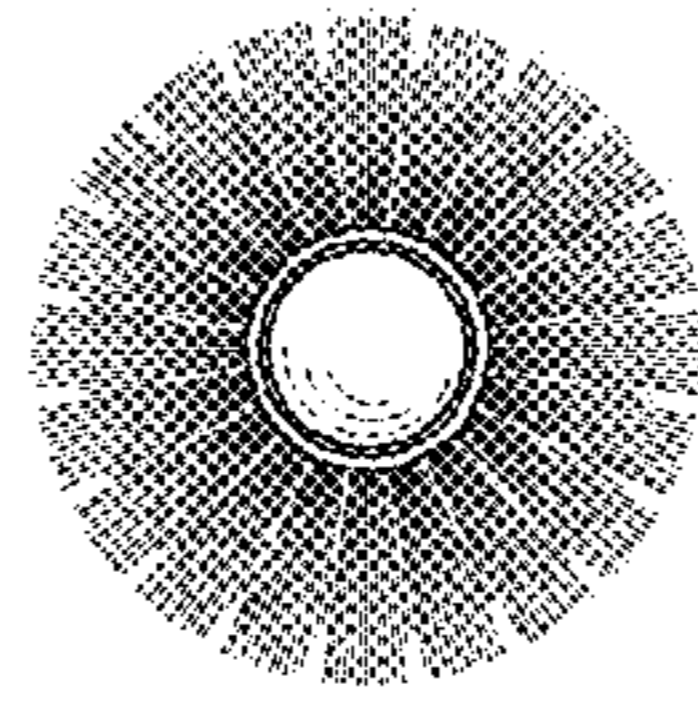


FIG. 5

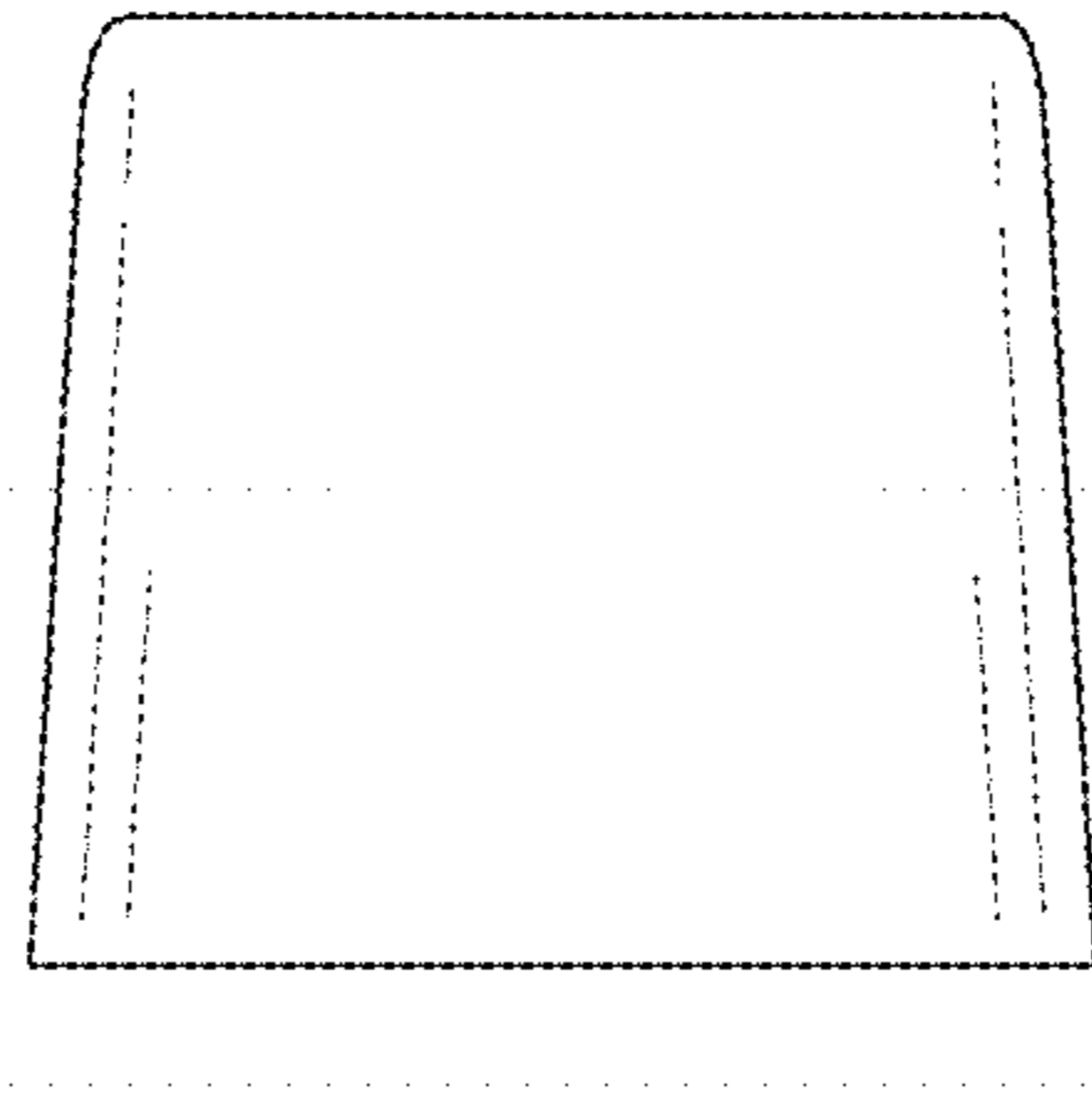


FIG. 6

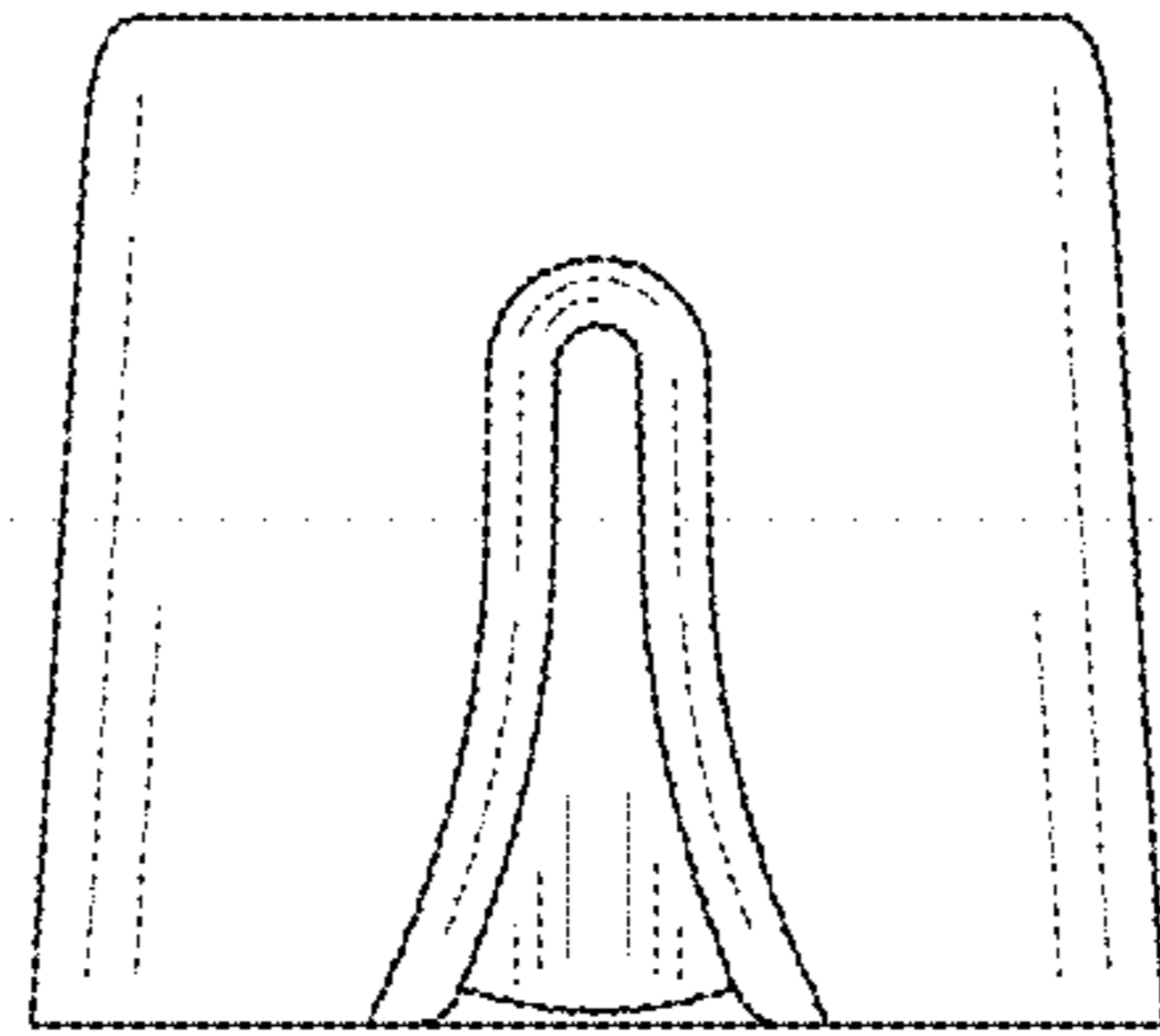


FIG. 7

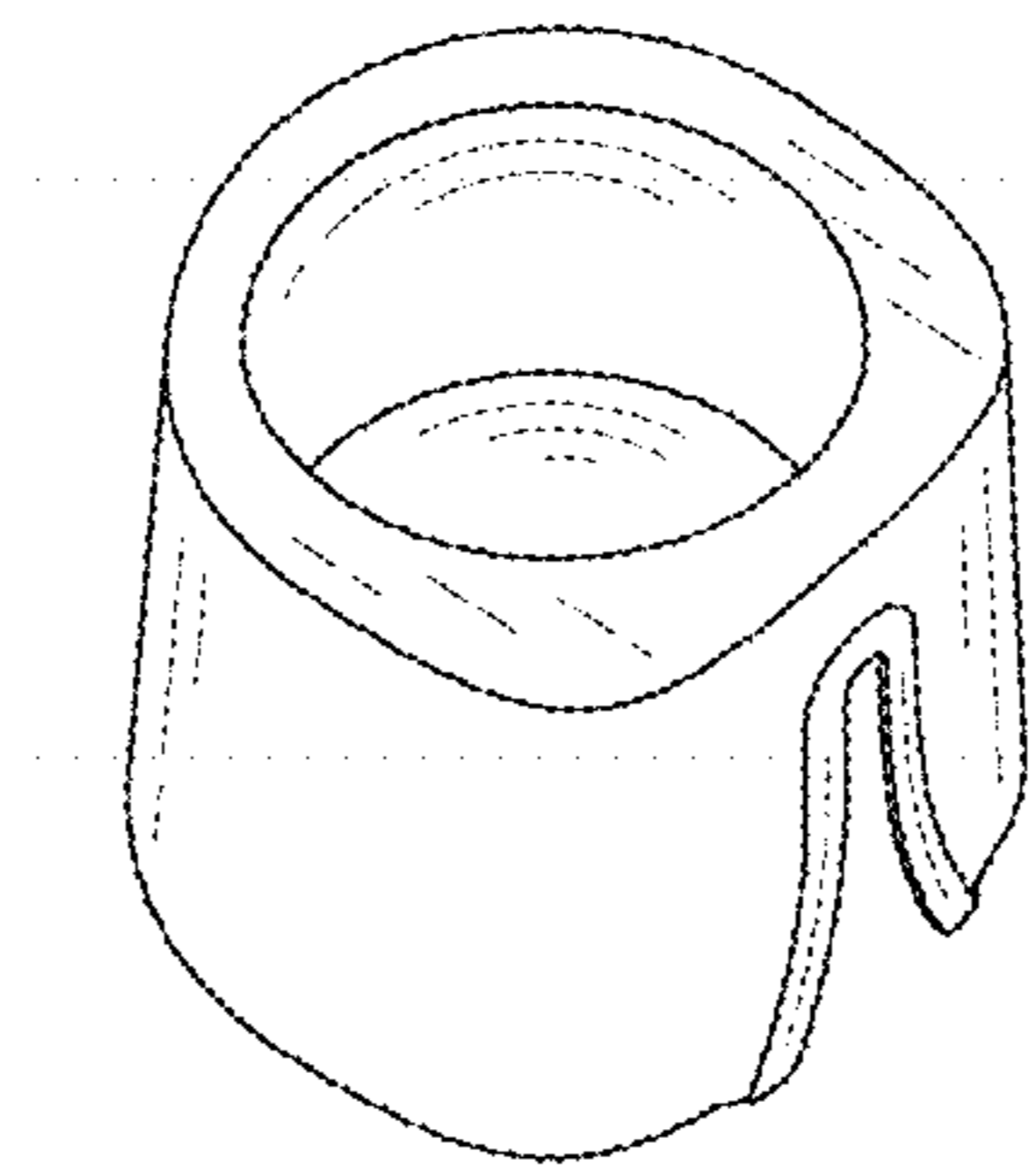


FIG. 8

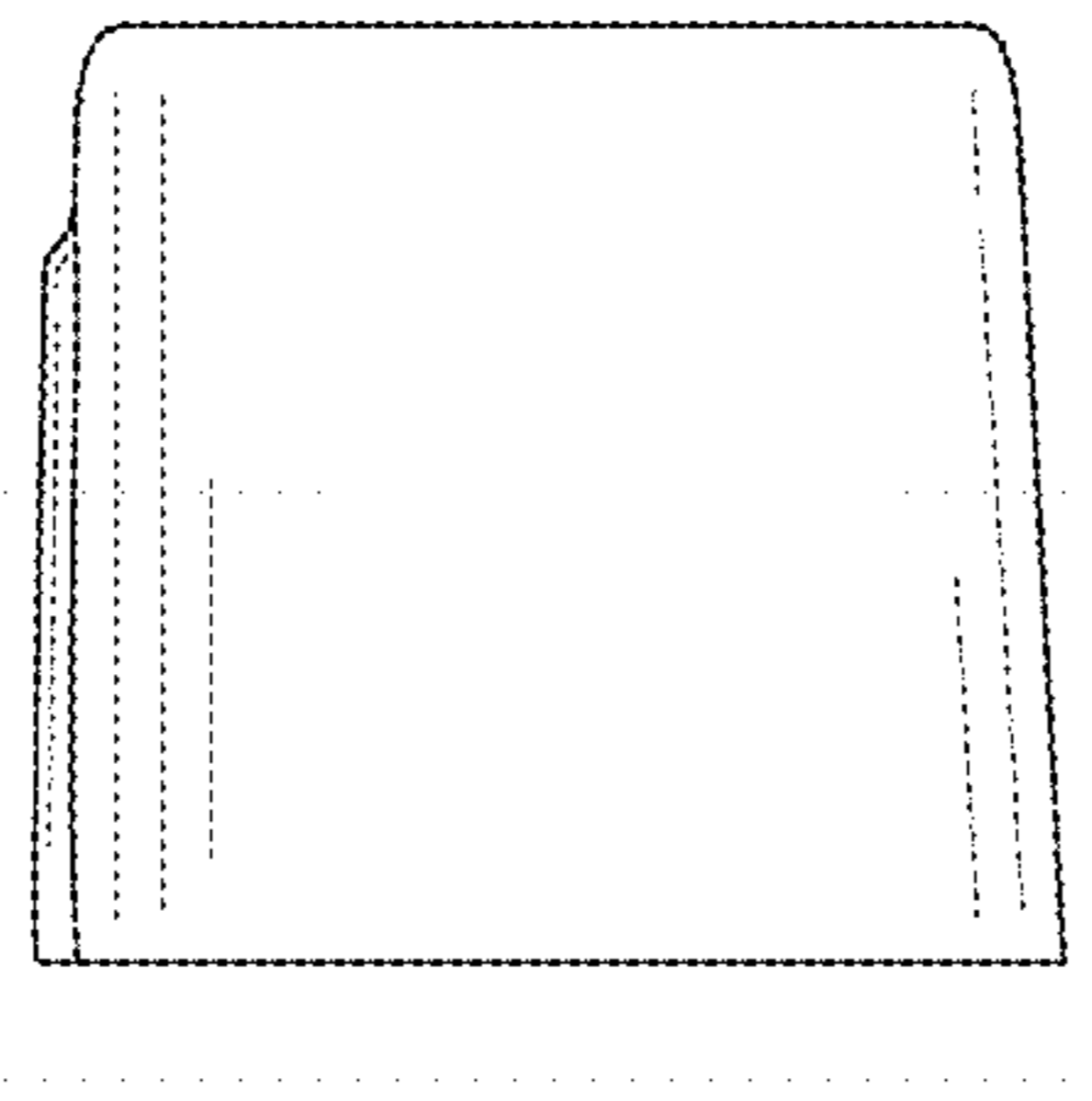


FIG. 9

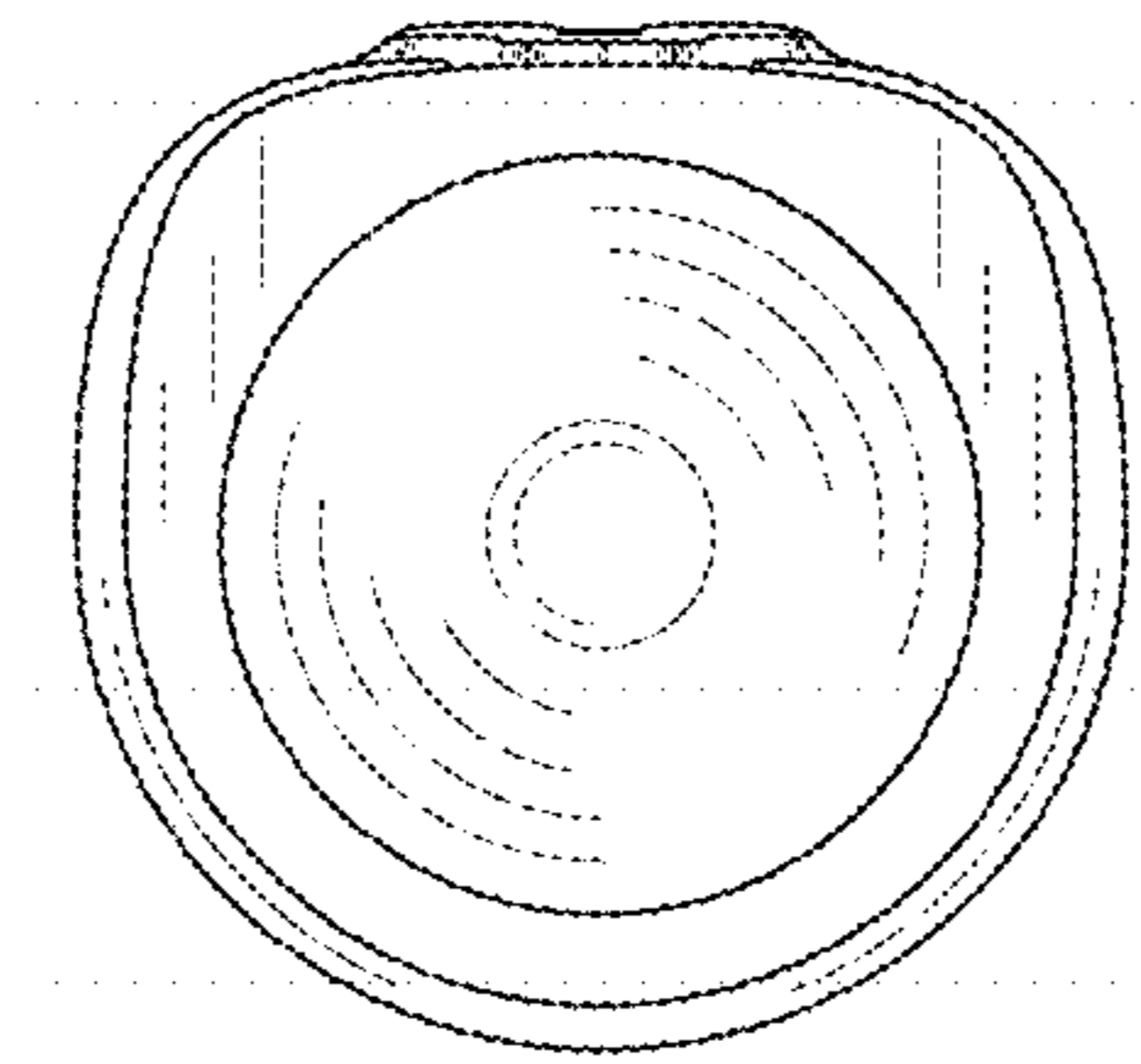


FIG. 10