



US00D988002S

(12) **United States Design Patent** (10) **Patent No.:** **US D988,002 S**  
**Silva, I** (45) **Date of Patent:** **\*\* Jun. 6, 2023**

(54) **TOOTH BRUSH**  
(71) Applicant: **Michael Silva, I**, Kendall Park, NJ (US)  
(72) Inventor: **Michael Silva, I**, Kendall Park, NJ (US)  
(\*\*) Term: **15 Years**  
(21) Appl. No.: **29/789,087**  
(22) Filed: **Aug. 30, 2021**  
(51) **LOC (14) Cl.** ..... **04-02**  
(52) **U.S. Cl.**  
USPC ..... **D4/106**  
(58) **Field of Classification Search**  
USPC ..... D4/104, 105, 106, 129, 130, 199;  
D24/176, 181; D29/108  
CPC .. A46B 1/00; A46B 3/00; A46B 3/005; A46B 3/02; A46B 3/04; A46B 3/20; A46B 3/22; A46B 5/00; A46B 5/002; A46B 5/0025; A46B 5/0029; A46B 5/0033; A46B 5/0037; A46B 5/0054; A46B 5/0062; A46B 5/0066; A46B 5/0095; A46B 5/02; A46B 5/021; A46B 7/00; A46B 7/06; A46B 9/00; A46B 9/005; A46B 9/02; A46B 9/021; A46B 9/023; A46B 9/028; A46B 13/00; A46B 13/001; A46B 13/023; A46B 13/08; A46B 15/00; A46B 15/0002; A46B 15/0016; A46B 2200/00; A46B 2200/10; A46B 2200/1026; A46B 2200/1066; A46B 2200/1073; A46B 2200/108; A46B 2200/30; A61C 17/00; G09B 19/0084

See application file for complete search history.

(56) **References Cited**

**U.S. PATENT DOCUMENTS**

D196,635 S \* 10/1963 Kinsella ..... D4/106  
D221,272 S \* 7/1971 Splaine ..... A61C 17/224  
D4/106

4,237,574 A 12/1980 Kelly et al.  
D281,532 S 11/1985 Weissman  
5,163,840 A \* 11/1992 Bourke ..... A61F 5/01  
433/7  
6,223,376 B1 5/2001 Lee  
8,978,189 B1 3/2015 Sexton  
D764,061 S 8/2016 Furdui-Carr  
D781,427 S 3/2017 Blank et al.  
D785,803 S 5/2017 Penn  
D813,397 S 3/2018 Kashiwabara et al.  
10,314,679 B2 6/2019 Blank et al.  
D862,705 S 10/2019 Chen  
(Continued)

**OTHER PUBLICATIONS**

V-White U-Shaped Replacement Head for Ultrasonic Toothbrush, posted Jun. 11, 2019 [online], [retrieved Jan. 30, 2023]. Retrieved from internet, <https://www.amazon.com/dp/B07SLFGLSL> (Year: 2019).\*

(Continued)

*Primary Examiner* — Alison M Ofstun  
*Assistant Examiner* — Evin Franklin George Ershock  
(74) *Attorney, Agent, or Firm* — Dunlap Bennett & Ludwig, PLLC

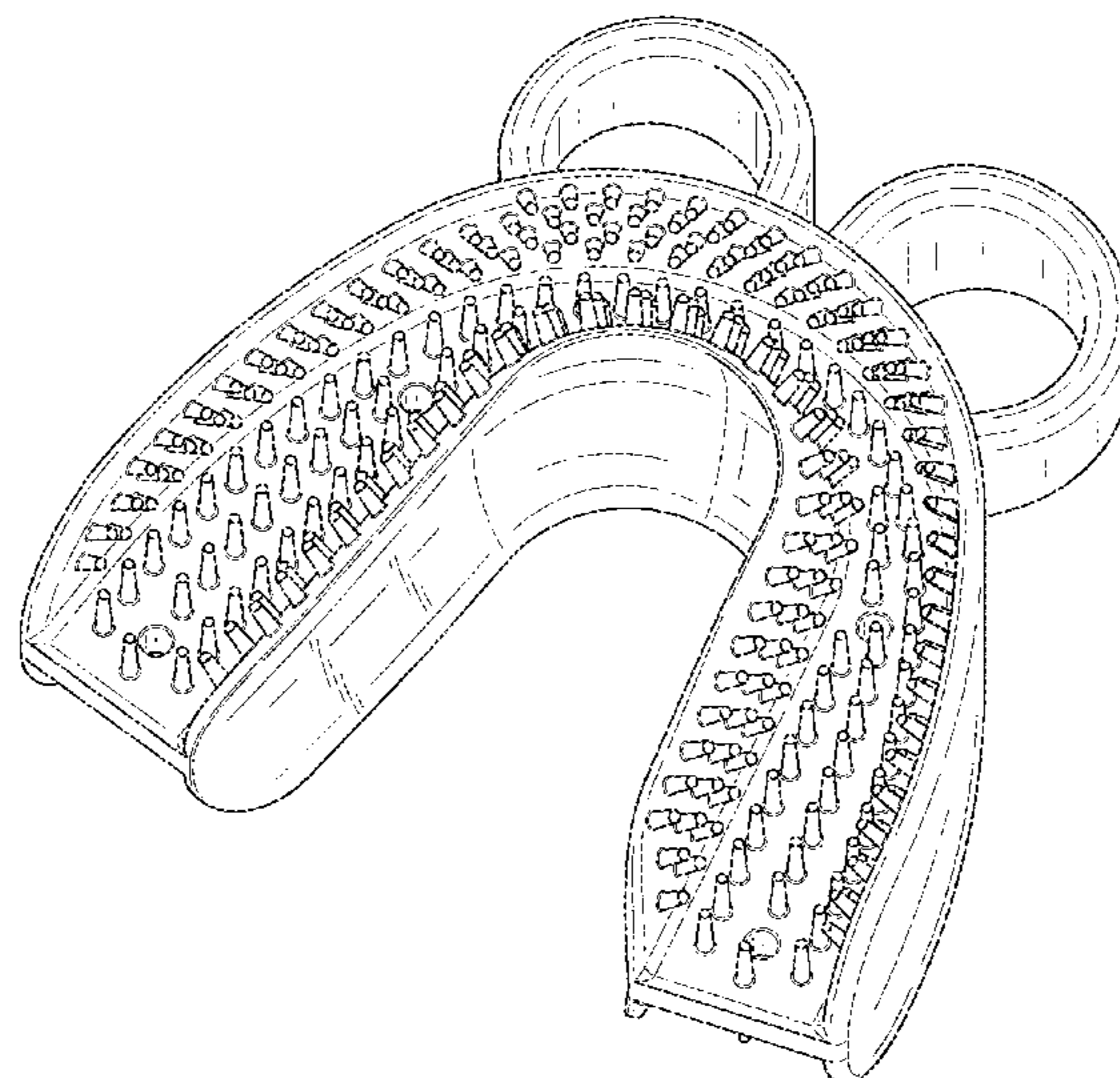
(57) **CLAIM**

The ornamental design for a tooth brush, as shown and described.

**DESCRIPTION**

FIG. 1 is a front top right perspective view of the tooth brush, showing my new design;  
FIG. 2 is a rear bottom left perspective view thereof;  
FIG. 3 is a front elevation view thereof;  
FIG. 4 is a rear elevation view thereof;  
FIG. 5 is a left side elevation view thereof, with the right side elevation view being a mirror image thereof; and,  
FIG. 6 is a top plan view thereof, with the bottom plan view being a mirror image thereof.

**1 Claim, 6 Drawing Sheets**



(56)

**References Cited**

## U.S. PATENT DOCUMENTS

D864,578 S \* 10/2019 Liu ..... D4/107  
D883,678 S \* 5/2020 Xin ..... D24/152  
D884,352 S \* 5/2020 Mock ..... D4/107  
D885,768 S \* 6/2020 Li ..... A46B 9/045  
D4/106  
D893,197 S 8/2020 Rosenberg et al.  
D908,223 S 1/2021 Pai et al.  
D951,649 S \* 5/2022 Chen ..... D4/101  
D958,544 S \* 7/2022 Lander ..... D4/106  
2013/0014331 A1 \* 1/2013 Garner ..... A61C 17/228  
15/22.1  
2013/0067665 A1 3/2013 Sowinski  
2013/0220357 A1 \* 8/2013 Campbell ..... A46B 9/045  
132/200  
2022/0039930 A1 \* 2/2022 Van Dijk ..... A61C 17/228  
2022/0160484 A1 \* 5/2022 Kim ..... A61C 17/224

## OTHER PUBLICATIONS

Kids U Shaped Toothbrush Dual Extra Soft Silicone Brush Head, posted Nov. 17, 2021 [online], [retrieved Jan. 30, 2023]. Retrieved from internet, <https://www.amazon.co.uk/dp/B09M3R3JHP/> (Year: 2021).\*

AutoBrush®: Double-Sided Nylon Brush Head, oldest review about one year ago [online], [retrieved Jan. 30, 2023]. Retrieved from internet, <https://tryautobrush.com/products/double-sided-nylon-brush-head?variant=40502519955503> (Year: 2022).\*

\* cited by examiner



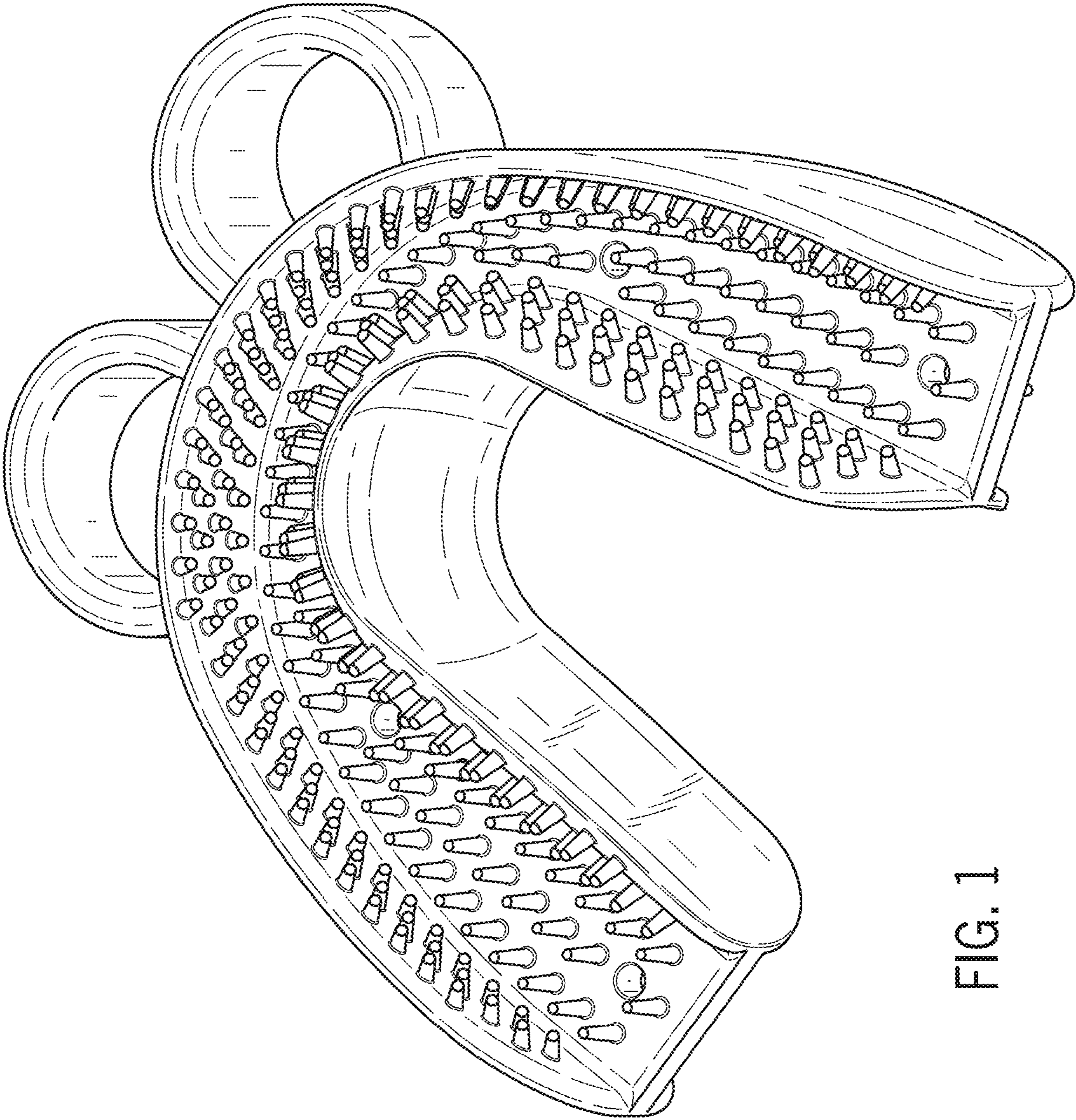


FIG. 1

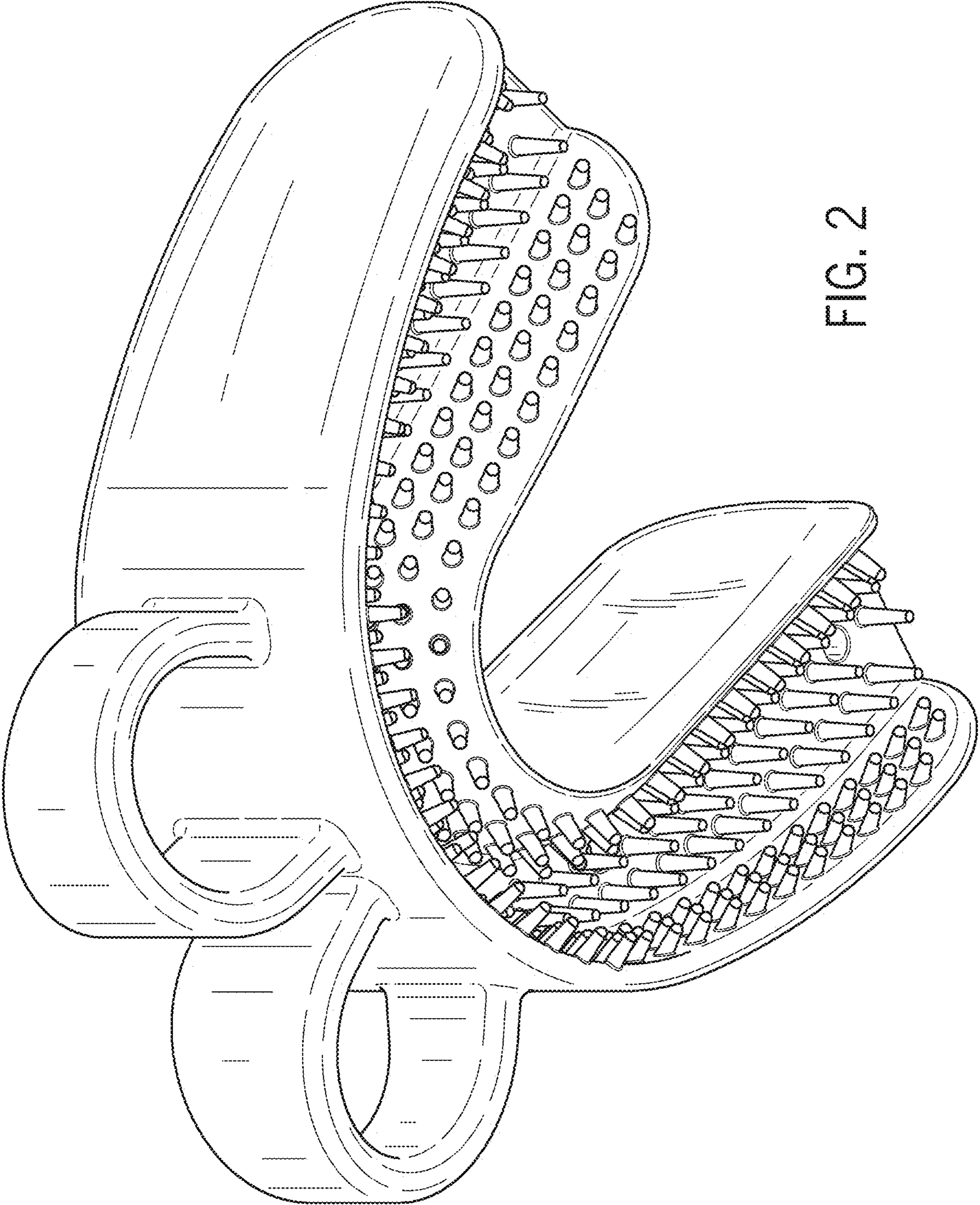


FIG. 2



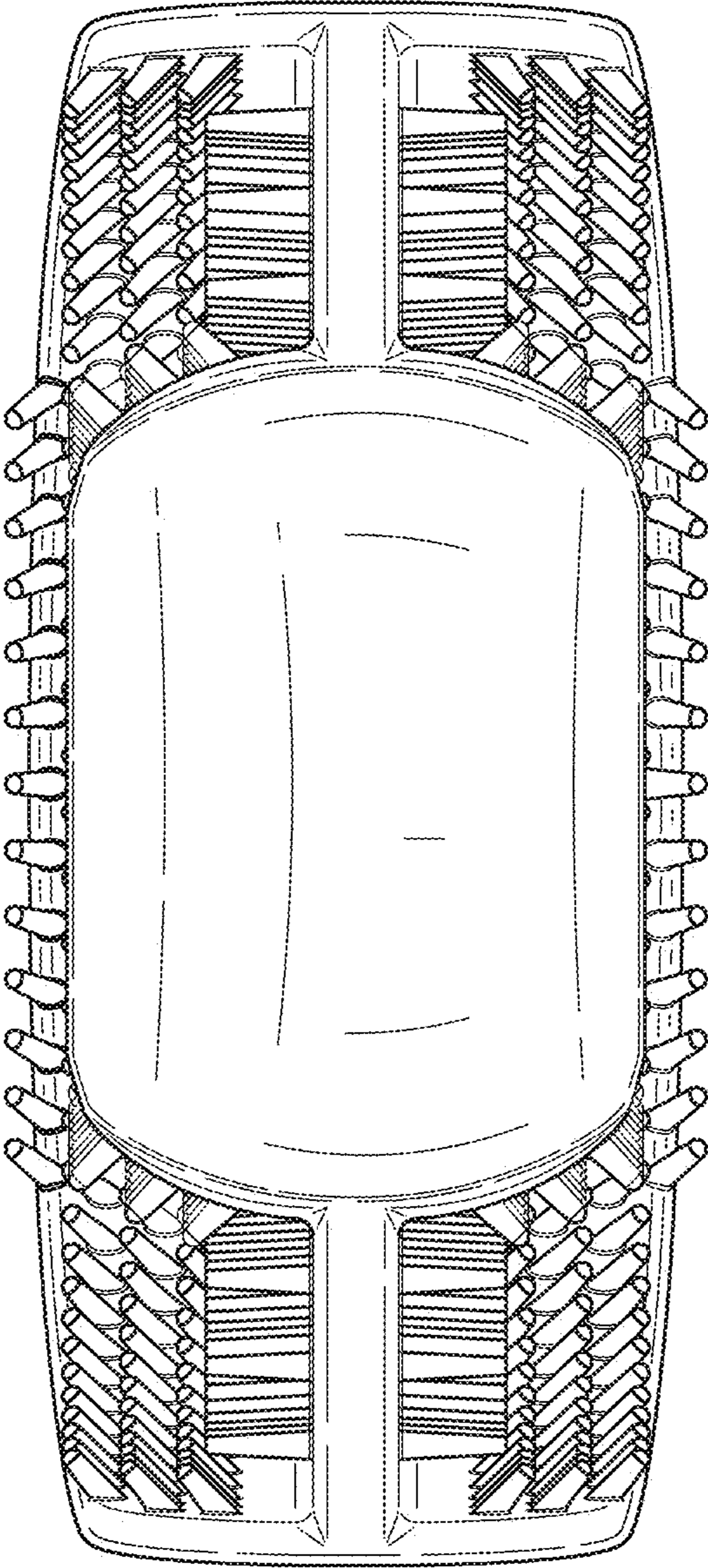


FIG. 3

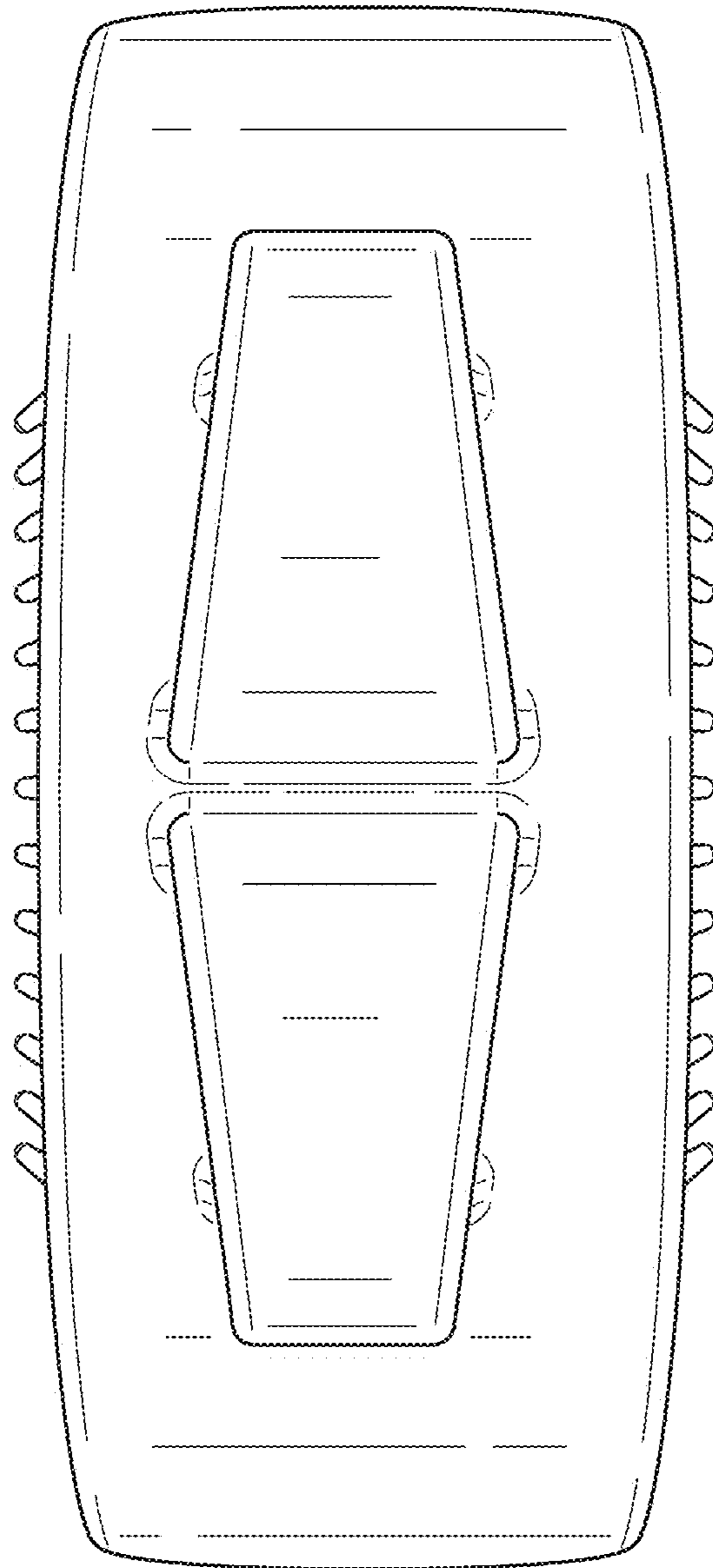


FIG. 4

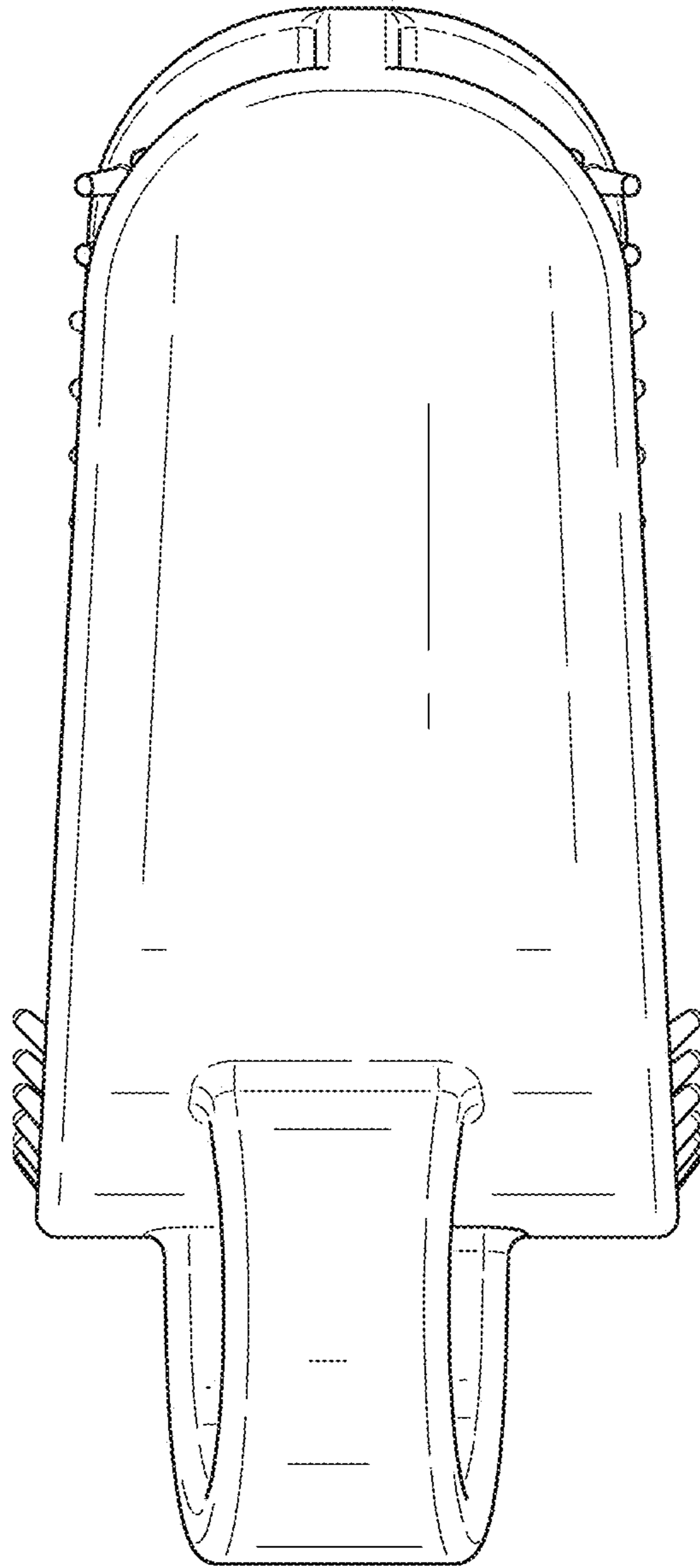


FIG. 5

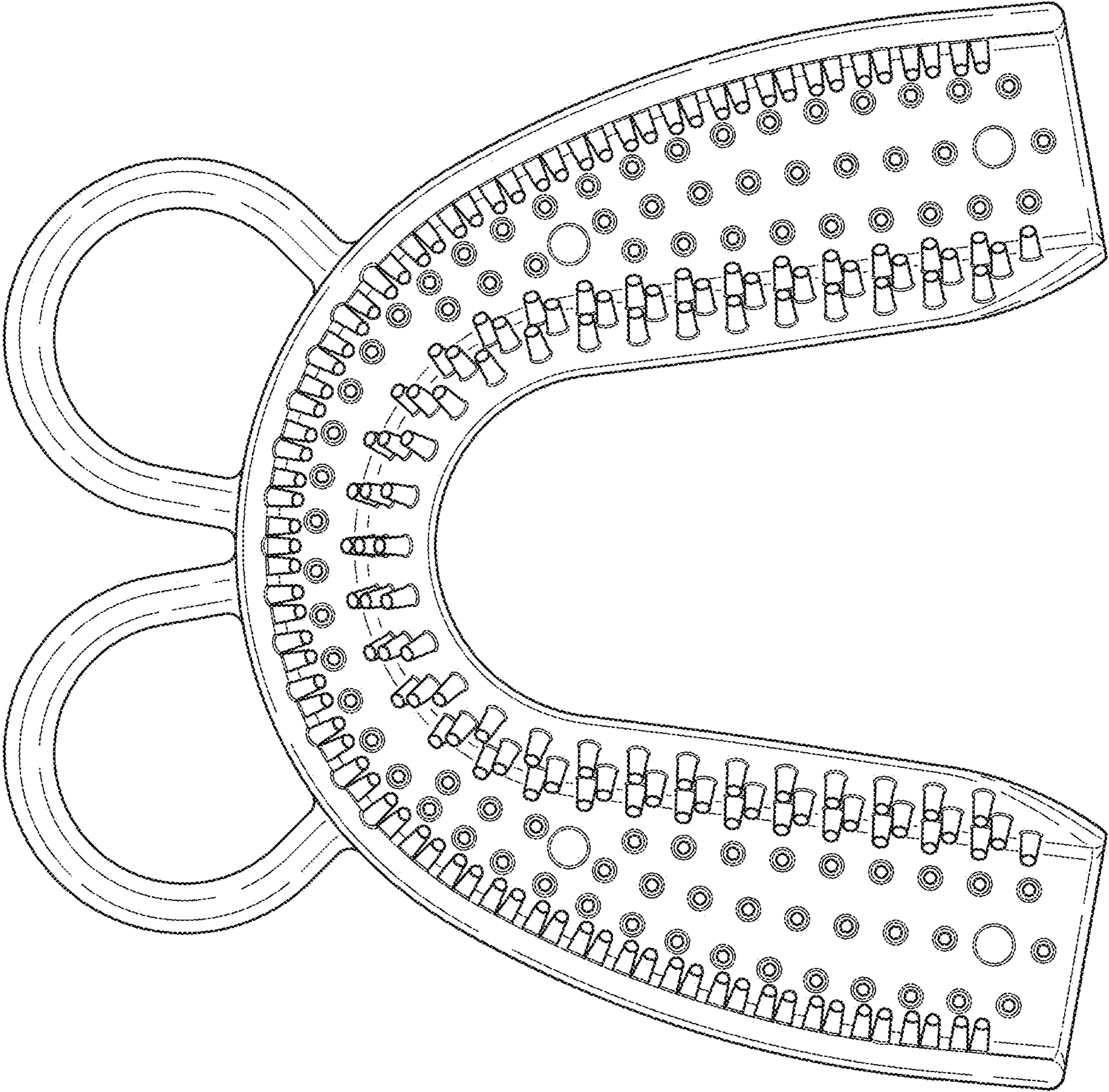


FIG. 6