



US00D988001S

(12) **United States Design Patent**
Van Dijk et al.

(10) **Patent No.:** **US D988,001 S**
(45) **Date of Patent:** **** Jun. 6, 2023**

- (54) **ELECTRONIC TOOTHBRUSH**
- (71) Applicant: **Dental Robotics Group**, Delft (NL)
- (72) Inventors: **Joppe Gideon Van Dijk**, Delft (NL);
Tim Anton Snijder, Delft (NL);
Thomas van de Water, Delft (NL)
- (73) Assignee: **DENTAL ROBOTICS GROUP B.V.**,
Delft (NL)
- (**) Term: **15 Years**
- (21) Appl. No.: **29/735,899**
- (22) Filed: **May 26, 2020**
- (51) **LOC (14) Cl.** **04-02**
- (52) **U.S. Cl.**
USPC **D4/104**
- (58) **Field of Classification Search**
USPC D4/100–138, 199; D24/176, 181, 152
CPC A46B 2200/1066; A46B 2200/1073; A46B
2200/1086; A46B 2200/3093; A46B
5/0095; A46B 9/04; A46B 13/023; A61C
17/16; A61C 17/122
See application file for complete search history.

2012/0260442 A1* 10/2012 Thompson A61C 17/228
15/22.3
2018/0311023 A1* 11/2018 Yao A61C 17/228
2020/0093251 A1* 3/2020 Song A46B 11/0006
2022/0015883 A1* 1/2022 Pan A61C 17/34

OTHER PUBLICATIONS

Ameami Brush, announced 2021 [online], [site visited Jan. 28, 2022]. Available from internet, URL: <https://www.amazon.com/Toothbrush-Training-Detachable-Silicone-Cleaning/dp/B09H2J21Y8> (Year: 2021).*

* cited by examiner

Primary Examiner — Cynthia Ramirez
Assistant Examiner — Tamara L Hahn

(57) **CLAIM**

The ornamental design for an electronic toothbrush, as shown and described.

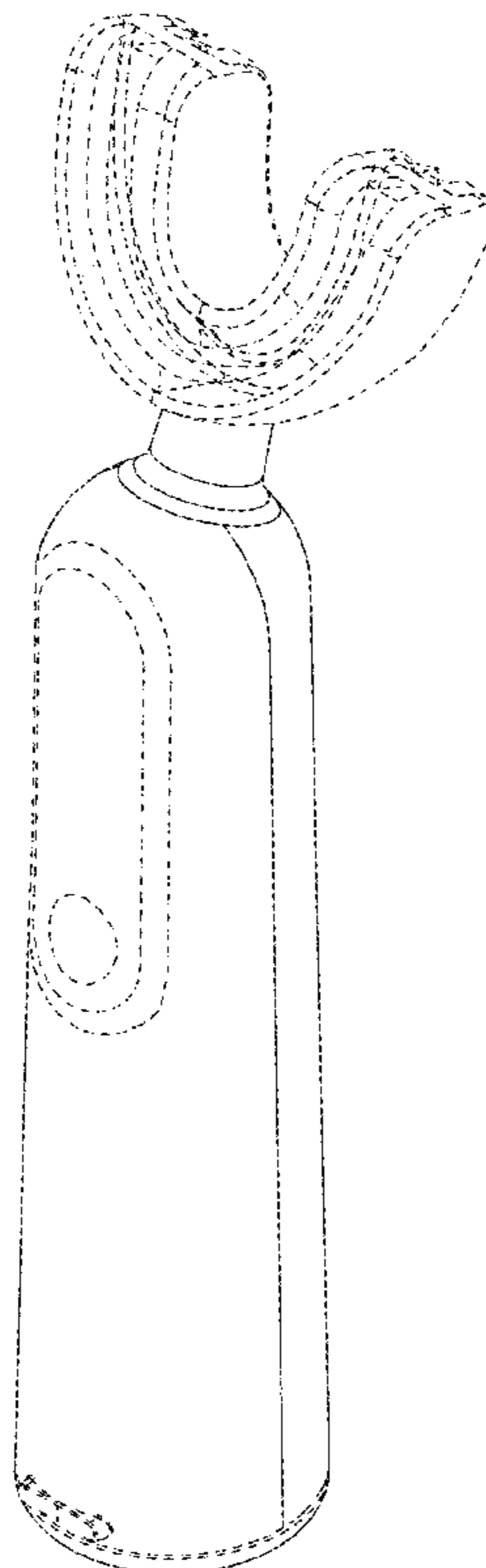
DESCRIPTION

FIG. 1 is a perspective view of our new design for an electronic toothbrush;
FIG. 2 is a front elevation view thereof;
FIG. 3 is a rear elevation view thereof;
FIG. 4 is a side elevation view thereof;
FIG. 5 is the other side elevation view thereof;
FIG. 6 is a top plan view thereof;
FIG. 7 is a bottom plan view thereof; and,
FIG. 8 is another perspective view thereof.
The broken lines depict portions of the electronic toothbrush that form no part of the claimed design.

(56) **References Cited**
U.S. PATENT DOCUMENTS

- D884,352 S * 5/2020 Mock D4/107
- D885,768 S * 6/2020 Li D4/106
- D887,146 S * 6/2020 Lander D4/101

1 Claim, 8 Drawing Sheets



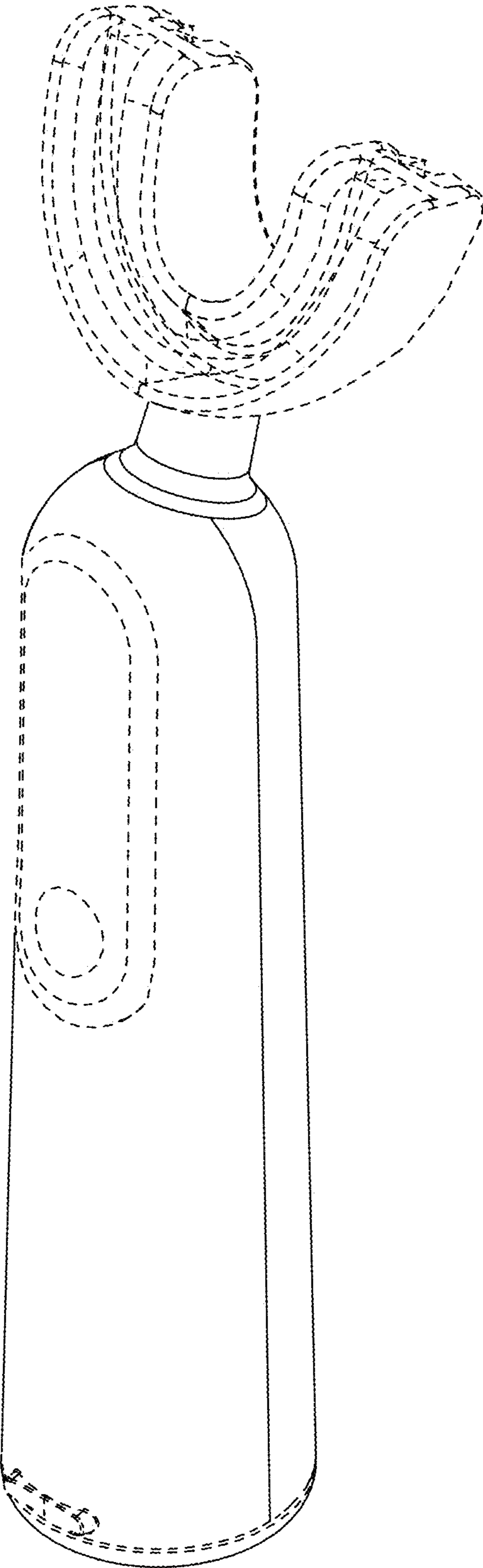


FIG. 1

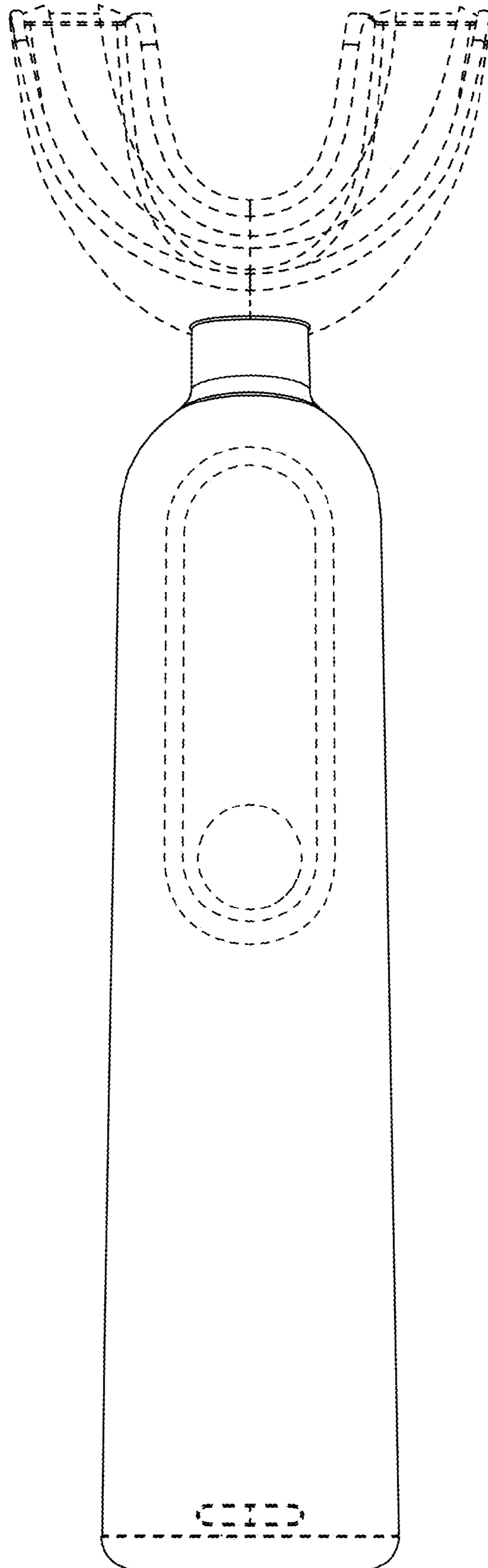


FIG. 2

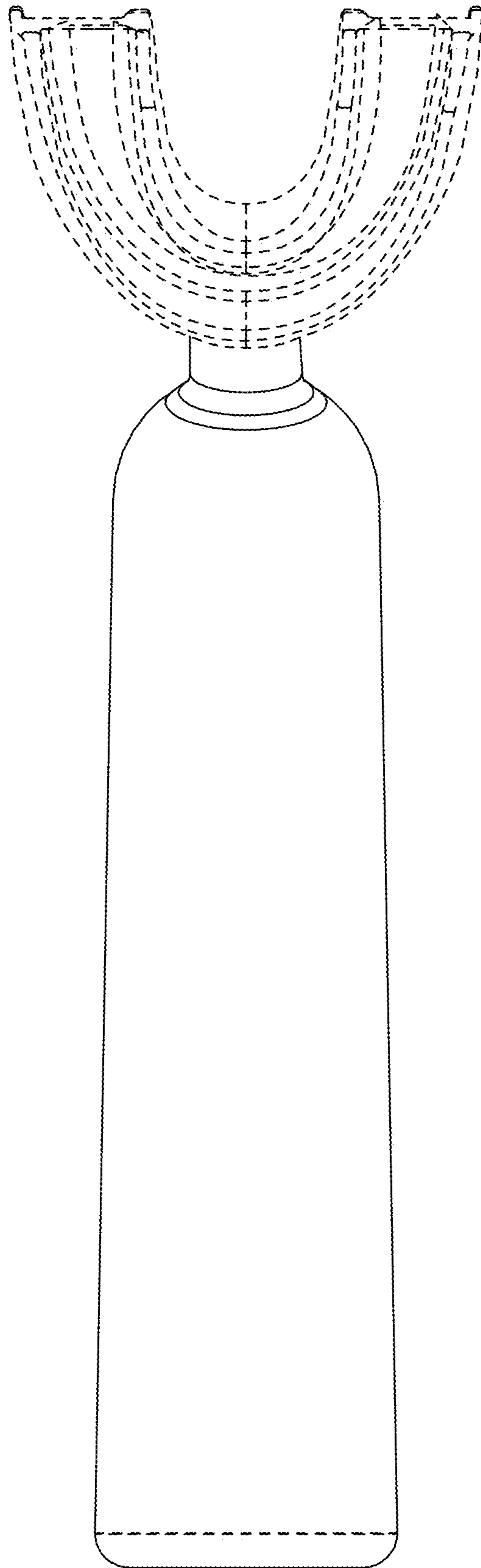


FIG. 3

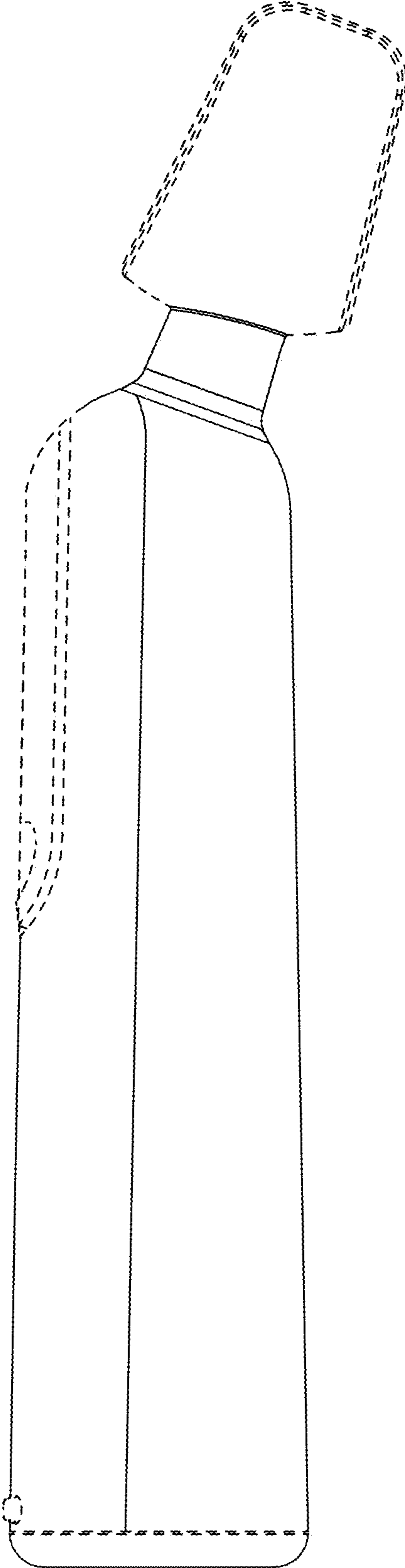


FIG. 4

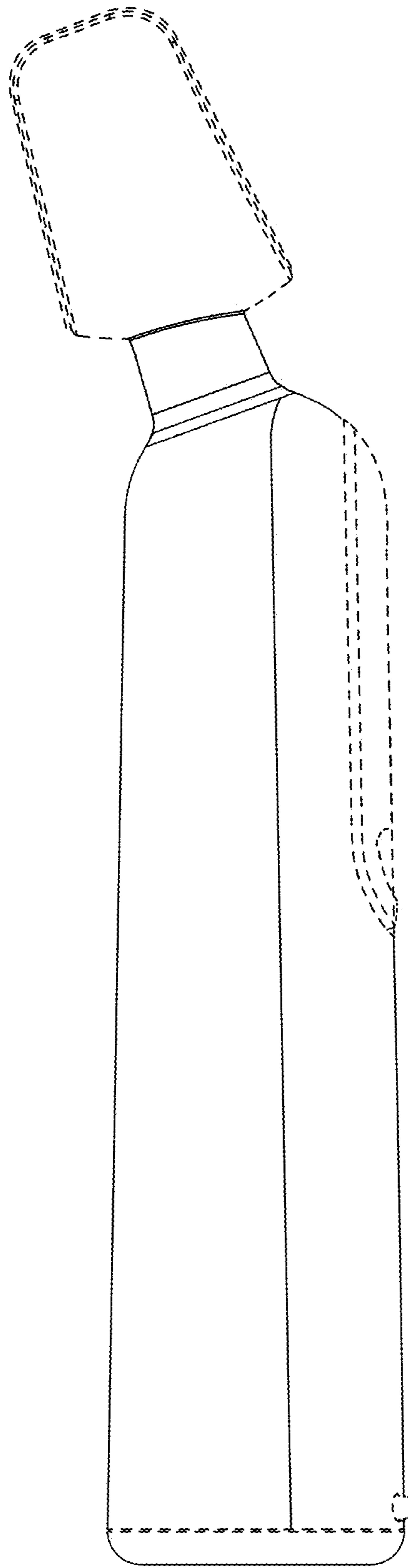


FIG. 5

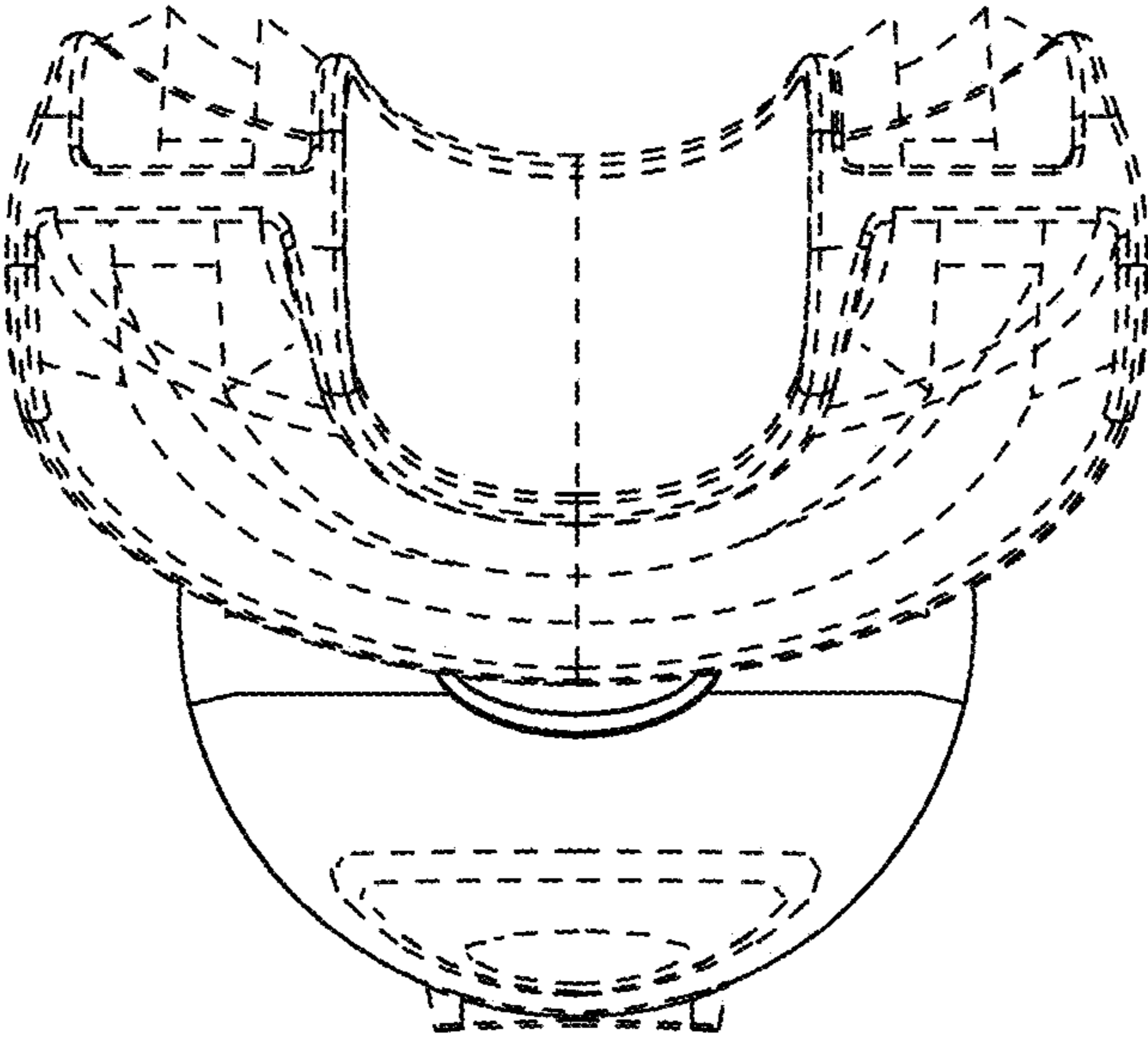


FIG. 6

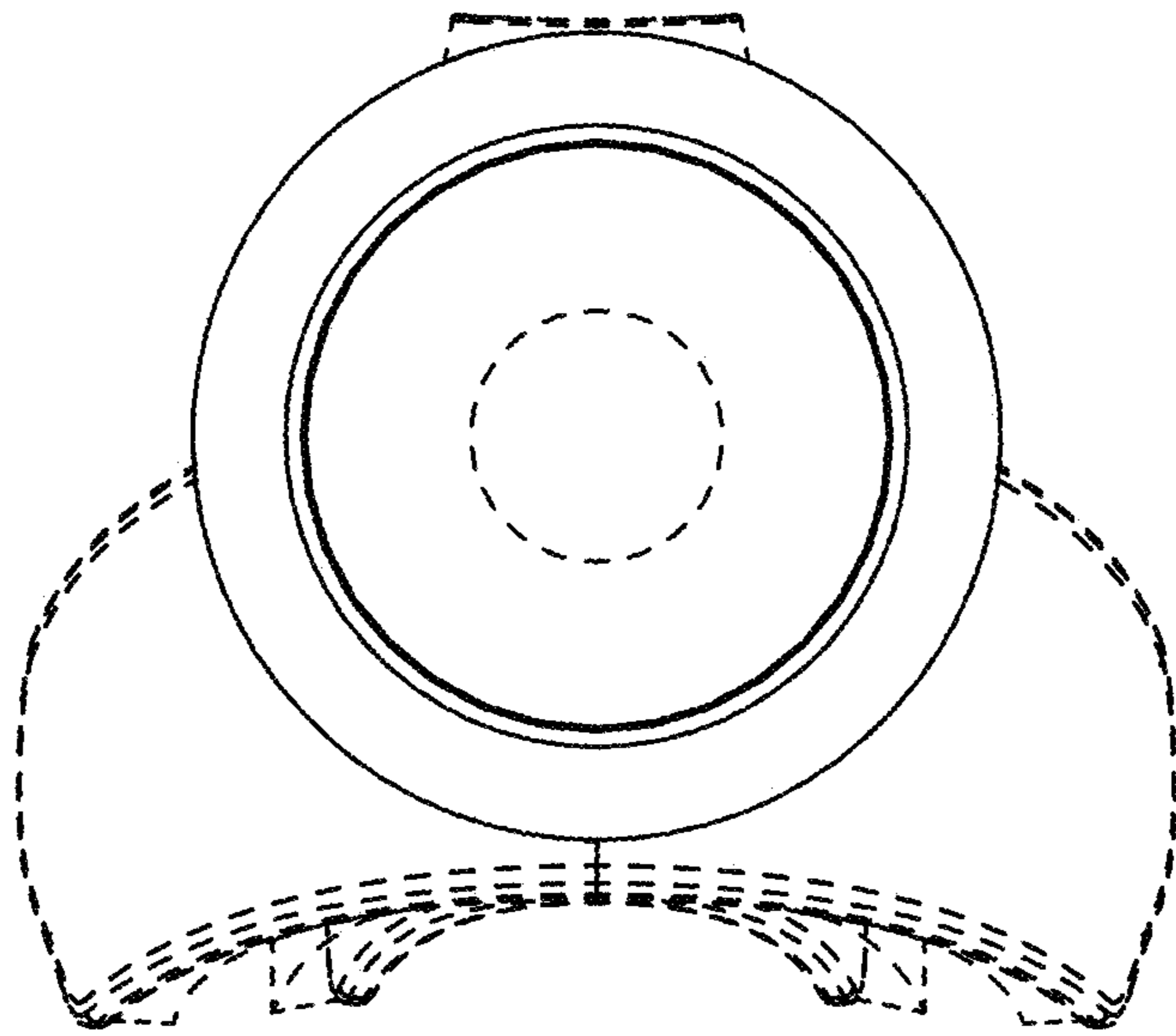


FIG. 7

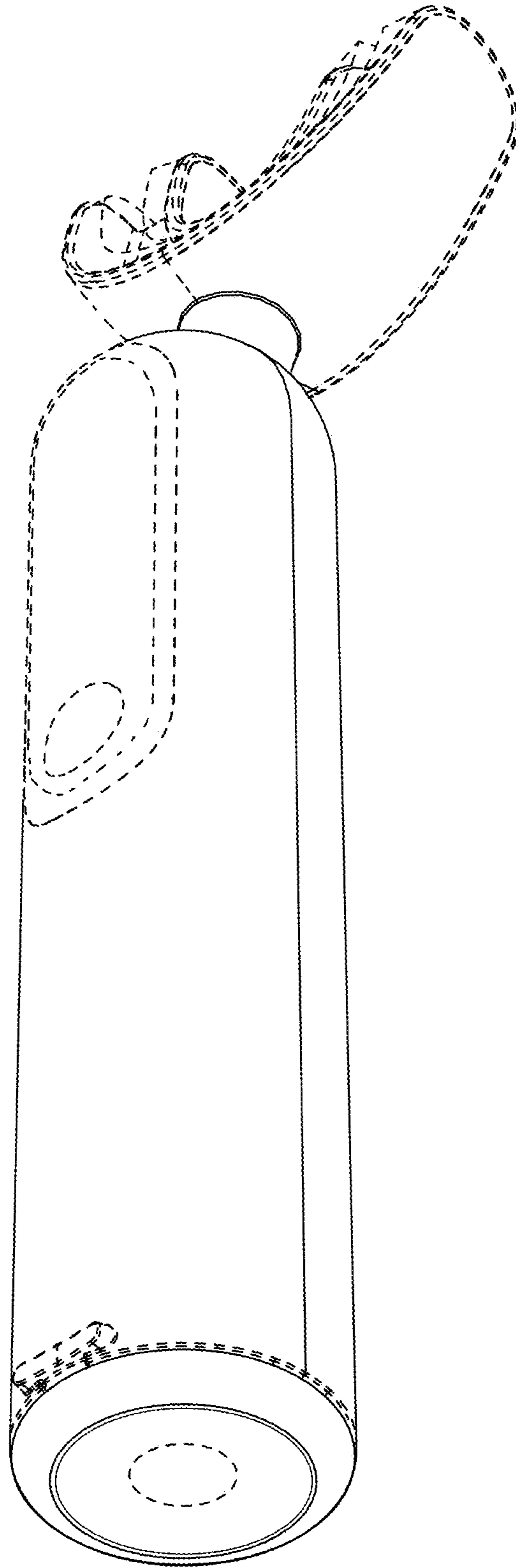


FIG. 8