



US00D987999S

(12) **United States Design Patent**
Kroshinskaya

(10) **Patent No.:** **US D987,999 S**
(45) **Date of Patent:** **** Jun. 6, 2023**

(54) **FOOTWEAR**

(71) Applicant: **Target Brands, Inc.**, Minneapolis, MN (US)

(72) Inventor: **Masha Kroshinskaya**, Minneapolis, MN (US)

(73) Assignee: **Target Brands, Inc.**, Minneapolis, MN (US)

(**) Term: **15 Years**

(21) Appl. No.: **29/832,668**

(22) Filed: **Mar. 29, 2022**

Related U.S. Application Data

(62) Division of application No. 29/747,823, filed on Aug. 25, 2020, now Pat. No. Des. 950,913.

(51) **LOC (14) Cl.** **02-04**

(52) **U.S. Cl.**
USPC **D2/960; D2/947**

(58) **Field of Classification Search**
USPC D2/902, 906, 908, 916, 918, 925, D2/946-962, 977
CPC A43B 13/00; A43B 13/02; A43B 13/023; A43B 13/026; A43B 13/04; A43B 13/08; A43B 13/10; A43B 13/12; A43B 13/14; A43B 13/141; A43B 13/143; A43B 13/16; A43B 13/18; A43B 13/181; A43B 13/187; A43B 13/189; A43B 13/20; A43B 13/22; A43B 13/223; A43B 13/24; A43B 13/28; A43B 13/30; A43B 13/32; A43B 13/34; A43B 13/36

See application file for complete search history.

(56) **References Cited**

U.S. PATENT DOCUMENTS

D250,943 S 1/1979 Bergamaschi
4,200,997 A 5/1980 Scheinhaus et al.

4,275,512 A 6/1981 Zeligman et al.
4,300,294 A 11/1981 Riecken
4,446,633 A 5/1984 Scheinhaus et al.
D294,537 S 3/1988 Le

(Continued)

FOREIGN PATENT DOCUMENTS

CA 2514808 C 2/2007
CN 205492741 8/2016

(Continued)

OTHER PUBLICATIONS

Brielle Platform Sandal, VionicShoes.com, [online], [site visited Sep. 23, 2021]. <URL: <https://www.vionicshoes.com/brielle-platform-sandal.html?76=1029>> (Year: 2021).

(Continued)

Primary Examiner — Jonathan J Han

(74) *Attorney, Agent, or Firm* — Merchant & Gould P.C.

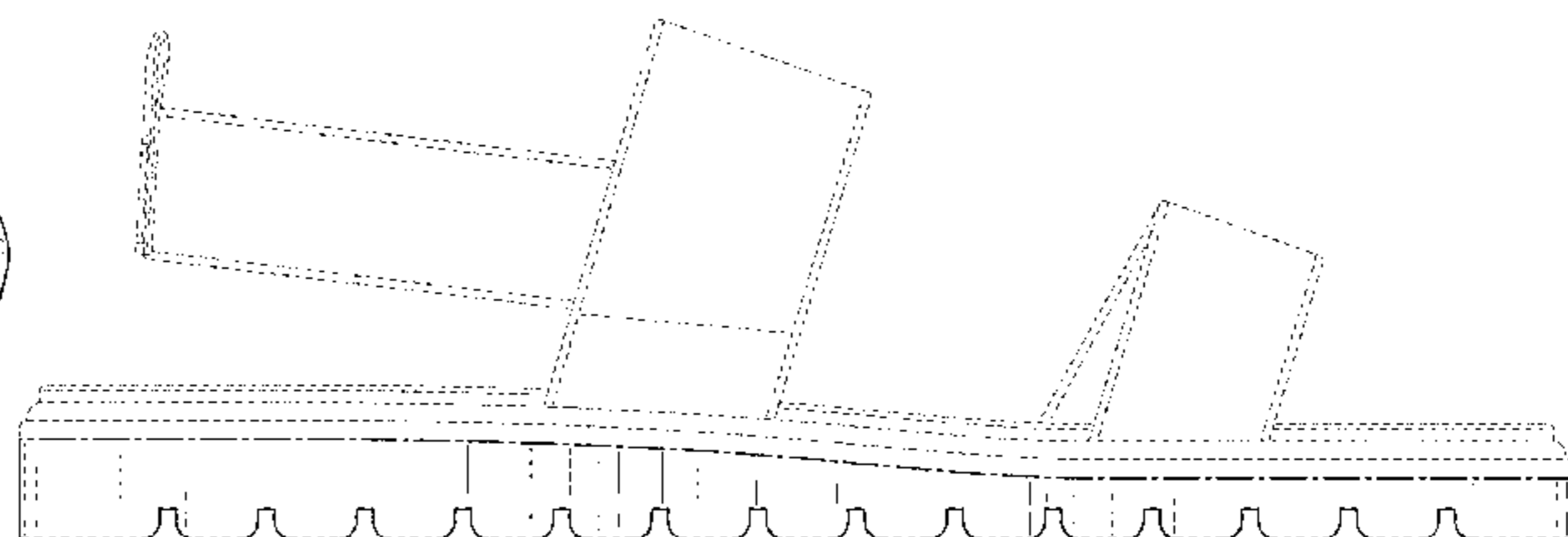
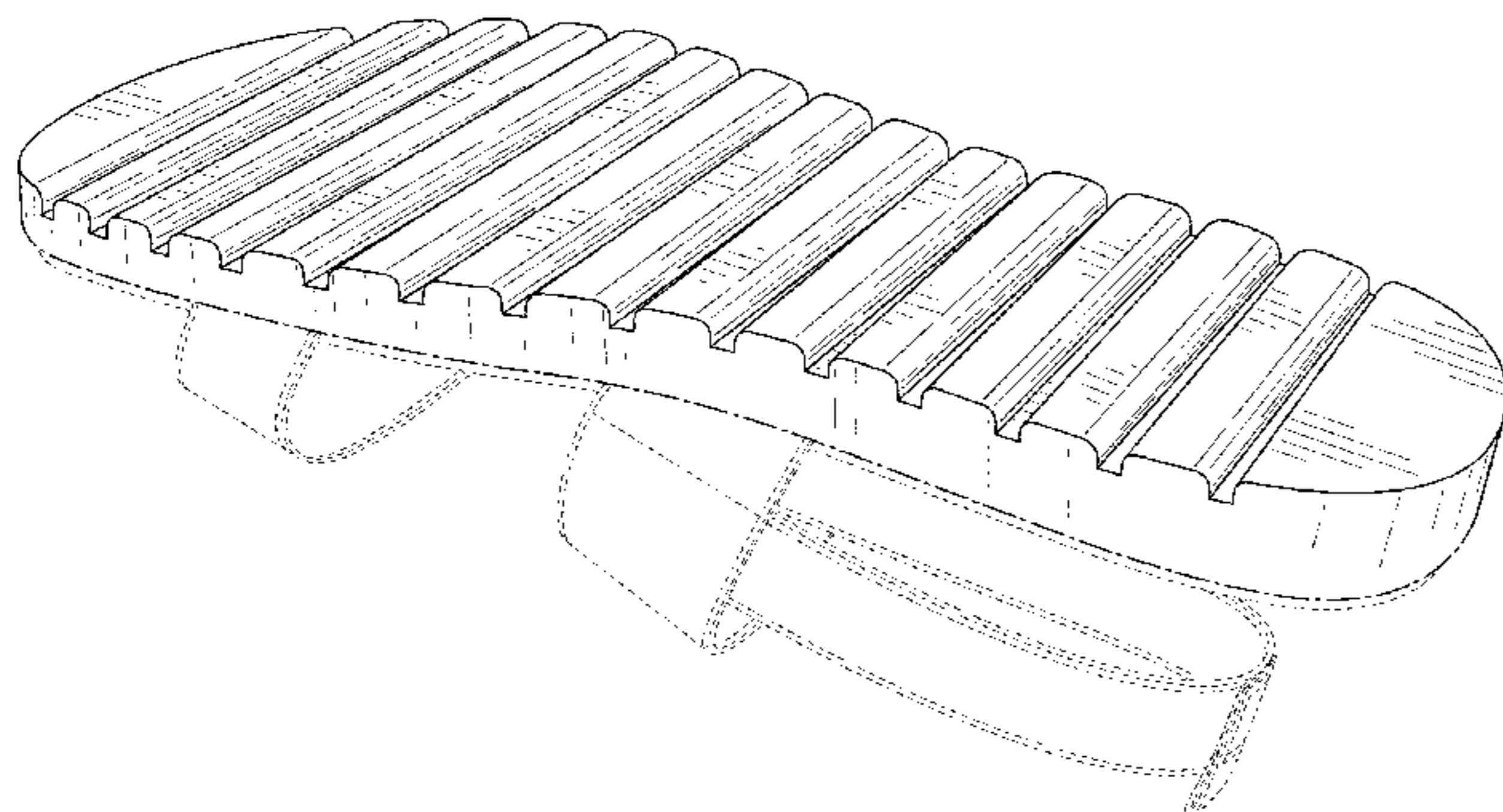
(57) **CLAIM**

The ornamental design for a footwear, as shown and described.

DESCRIPTION

FIG. 1 is front, top and right side perspective view of a footwear according to the new design;
FIG. 2 is a back, bottom and right side perspective view thereof;
FIG. 3 is a front elevation view thereof;
FIG. 4 is a back elevation view thereof;
FIG. 5 is a right side elevation view thereof;
FIG. 6 is a left side elevation view thereof;
FIG. 7 is a top plan view thereof; and,
FIG. 8 is a bottom plan view thereof.
The broken lines in the drawings show portions that form no part of the claimed design.

1 Claim, 7 Drawing Sheets



(56)

References Cited

U.S. PATENT DOCUMENTS

4,793,075 A 12/1988 Thatcher
 4,817,302 A 4/1989 Saltsman
 4,869,000 A 9/1989 York, Jr.
 4,967,750 A 11/1990 Cherniak
 5,056,241 A 10/1991 Young
 5,205,054 A 4/1993 York, Jr.
 5,423,134 A 6/1995 Bagnaia et al.
 5,465,506 A 11/1995 Matis et al.
 5,533,278 A 7/1996 Stein
 5,561,919 A 10/1996 Gill
 RE35,452 E 2/1997 Sargeant
 5,687,492 A 11/1997 Muraoka
 5,836,090 A 11/1998 Smith
 D409,361 S 5/1999 Greenberg
 5,901,394 A 5/1999 Greenawalt
 6,021,585 A 2/2000 Cole
 6,052,920 A 4/2000 Bathum
 D429,553 S 8/2000 Kelchak
 6,237,250 B1 5/2001 Aguerre
 D449,430 S 10/2001 McClaskie
 D473,041 S 4/2003 Finkelberg
 6,543,157 B2 4/2003 Pan
 6,606,803 B1 8/2003 Ritter et al.
 6,637,130 B2 10/2003 Urie et al.
 6,694,641 B1 2/2004 Gill
 D490,225 S 5/2004 McClaskie
 6,772,541 B1 8/2004 Ritter et al.
 D503,028 S * 3/2005 Merceron D2/947
 D505,537 S 5/2005 Friedman
 7,103,993 B2 9/2006 Sakai
 D566,499 S 4/2008 Welch
 D573,780 S 7/2008 Davis et al.
 7,794,417 B1 9/2010 Zimmerman
 7,823,299 B1 11/2010 Brigham
 D677,456 S * 3/2013 Knight D2/961
 8,460,593 B2 6/2013 Fogg et al.
 D701,380 S 3/2014 Reed et al.
 8,839,529 B1 9/2014 Levy
 D730,035 S 5/2015 Henderson
 D756,096 S * 5/2016 Bizzo D2/951
 9,468,252 B2 10/2016 Dematteo
 D816,308 S * 5/2018 Boys D2/908
 9,955,755 B2 5/2018 Heid
 D822,966 S 7/2018 Thompson et al.
 D827,257 S 9/2018 Ringholz et al.
 D840,653 S 2/2019 Carmi et al.
 10,278,454 B2 5/2019 Kohatsu et al.
 D862,061 S 10/2019 Wilkinson
 D876,782 S * 3/2020 Fontaine D2/947
 D889,092 S 7/2020 Verfl et al.
 D889,093 S 7/2020 Verfl et al.
 D903,264 S * 12/2020 Beaver D2/947
 D903,266 S * 12/2020 Fontaine D2/947
 D920,646 S 6/2021 Simone et al.

D924,548 S 7/2021 Xin
 D925,879 S 7/2021 Mokos et al.
 D929,098 S 8/2021 Jacobsen
 D932,747 S * 10/2021 Mokos D2/960
 D943,913 S * 2/2022 Kroshinskaya D2/969
 D950,904 S * 5/2022 Kroshinskaya D2/947
 D950,913 S * 5/2022 Kroshinskaya D2/960
 D955,091 S * 6/2022 Kroshinskaya D2/903
 D957,105 S * 7/2022 Kroshinskaya D2/947
 D966,677 S * 10/2022 Kroshinskaya D2/947
 2005/0217140 A1 * 10/2005 Melis A43B 7/082
 36/3 R
 2006/0059712 A1 5/2006 Asham
 2006/0288610 A1 12/2006 Laska et al.
 2009/0313854 A1 12/2009 Clarke
 2010/0242305 A1 9/2010 Liu
 2012/0124860 A1 5/2012 Waddel
 2015/0101215 A1 * 4/2015 Henderson A43B 13/187
 36/103
 2016/0227878 A1 * 8/2016 Lan A43B 13/223
 2017/0143071 A1 5/2017 Huang et al.
 2017/0360142 A1 12/2017 Griffin
 2019/0350304 A1 11/2019 Velazquez et al.
 2020/0170339 A1 * 6/2020 Verfl A43B 13/223

FOREIGN PATENT DOCUMENTS

CN 109645617 A 4/2019
 CN 209403674 U 9/2019
 FR 3057741 B3 4/2018
 GB 2046077 11/1980
 GB 2377615 B 1/2003
 GB 2550880 A 12/2017
 JP 3217949 9/2018
 KR 100719159 B1 5/2007
 KR 20100038481 A 4/2010
 KR 20160147227 12/2016
 WO WO 2012/031801 3/2012

OTHER PUBLICATIONS

Glyn Linen Sandal, Vince.com, [online], [site visited Sep. 23, 2021]. <URL: https://www.vince.com/glyn-linen-sandal-H5995F1.html?dwvar_H5995F1_color=NATURL&utm_medium=Linkshare&utm_source=Vogue&utm_campaign=1&utm_content=10&ranMID=39798&ranEAID=0c5b5rpoqTU&ranSiteID=0c5b5rpoqTU-oUww5xEZwUlw4_v8_Zlosw> (Year: 2021).
 Skechers Arch Fit—Casual Retro, Skechers.com, [online], [site visited Sep. 23, 2021]. <URL: <https://www.skechers.com/women/shoes/skechers-arch-fit---casual-retro/119237.html>> (Year: 2021).
 EVA Sole for slipper or boot, UGG, MorEVAfoam.com, [online], [site visited Sep. 23, 2021]. <URL: <https://www.morevafoam.com/Products/eva-sole-for-slipper-or-boot-ugg>> (Year: 2021).

* cited by examiner

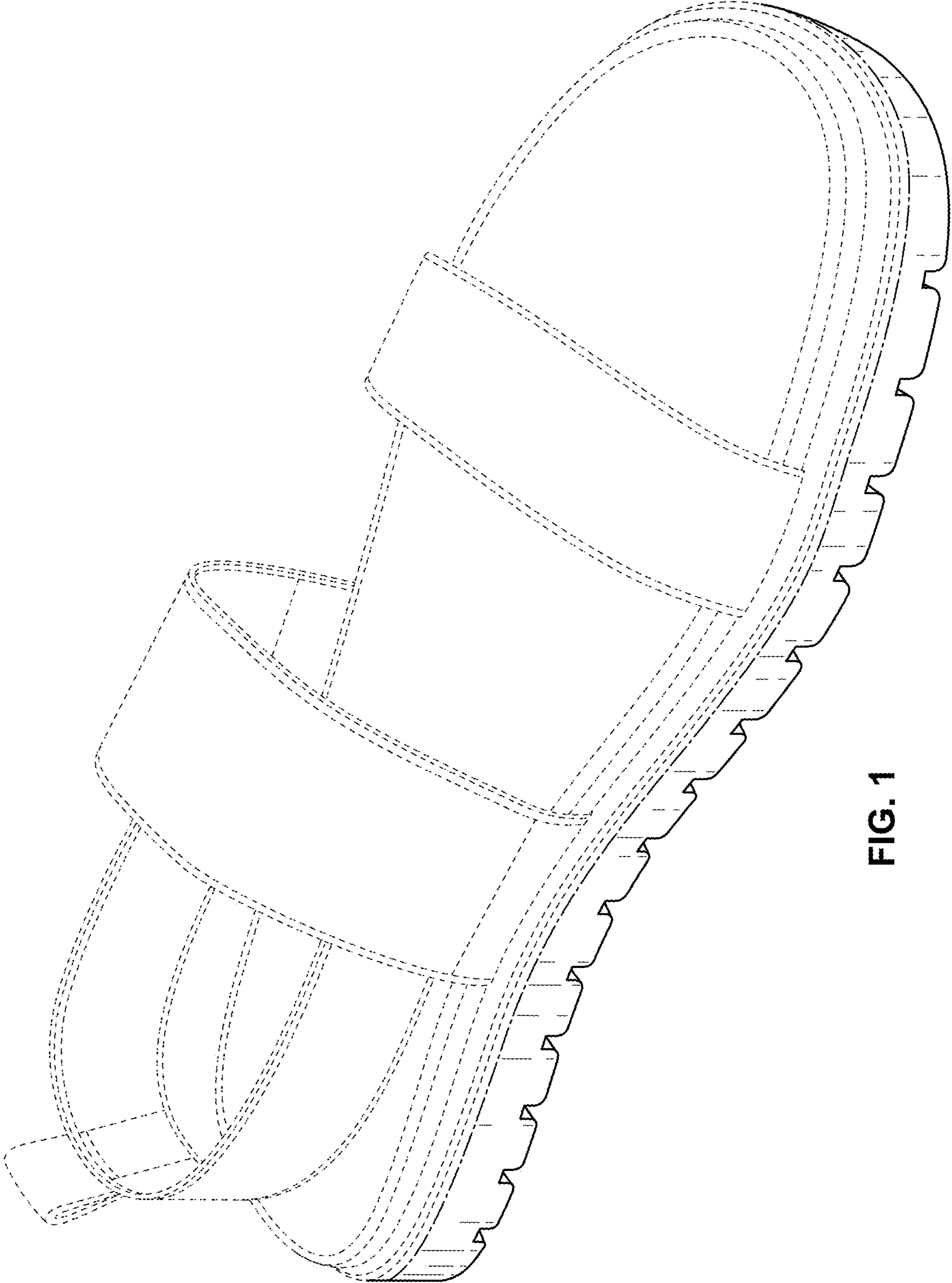


FIG. 1

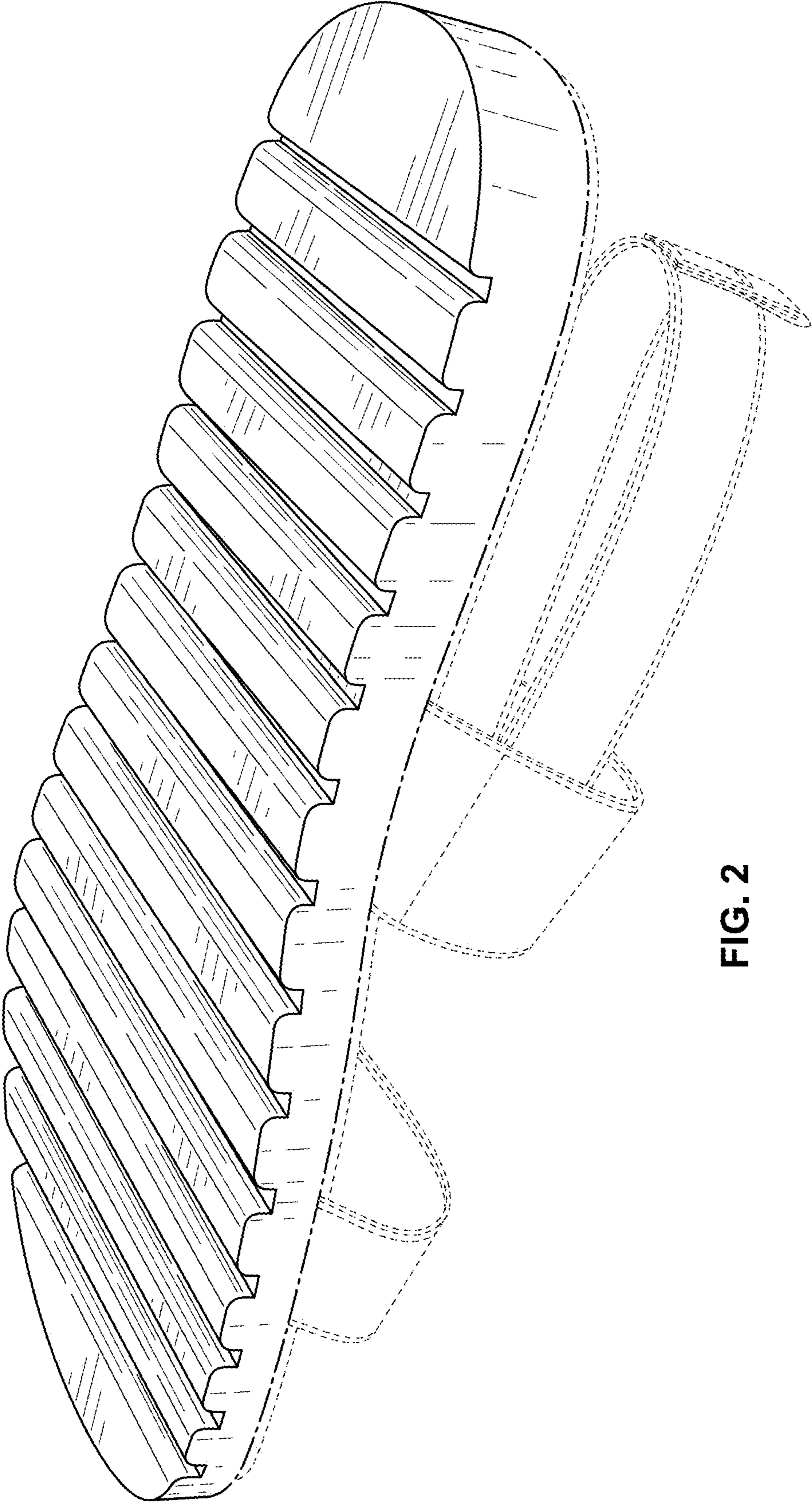


FIG. 2

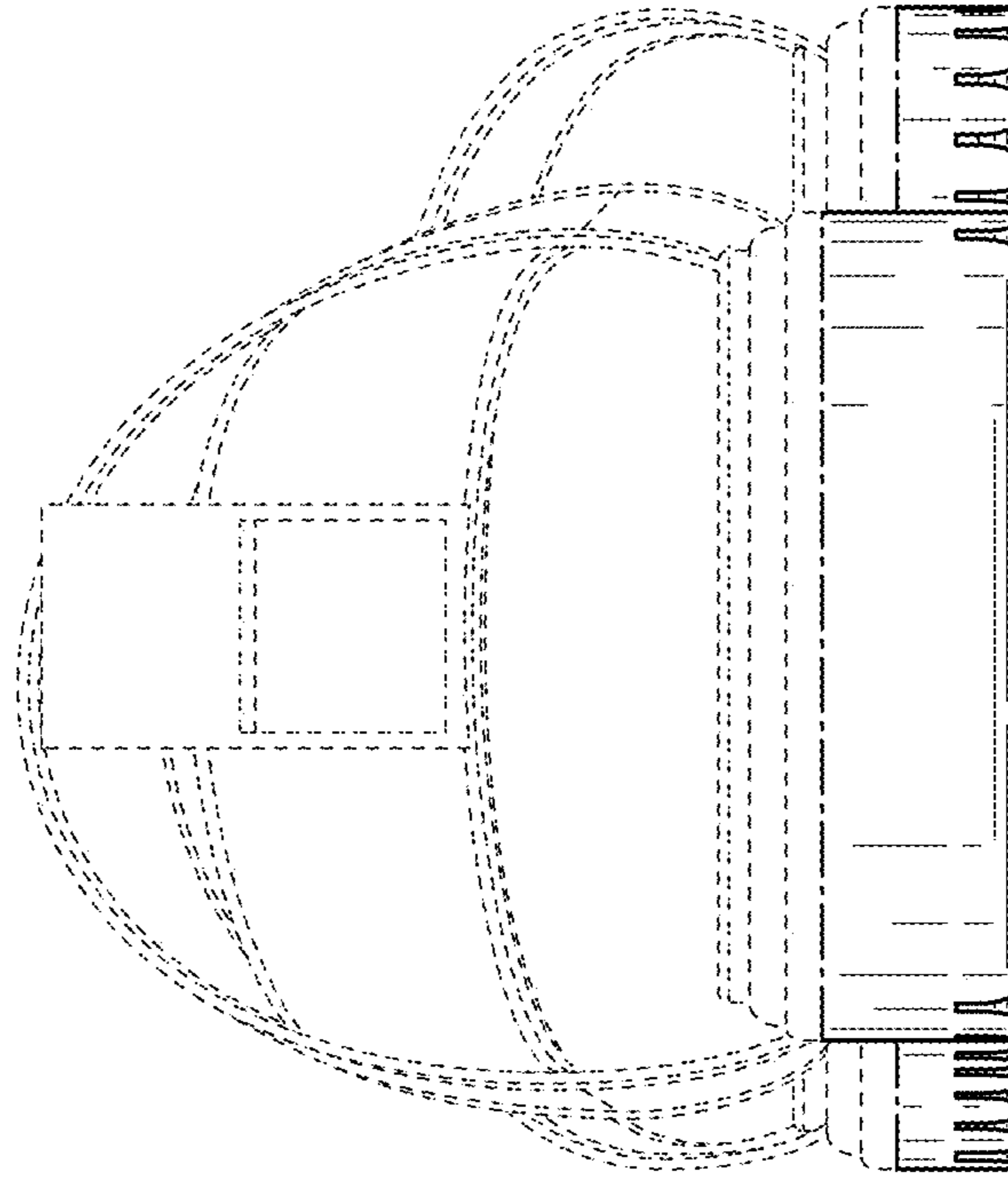


FIG. 3

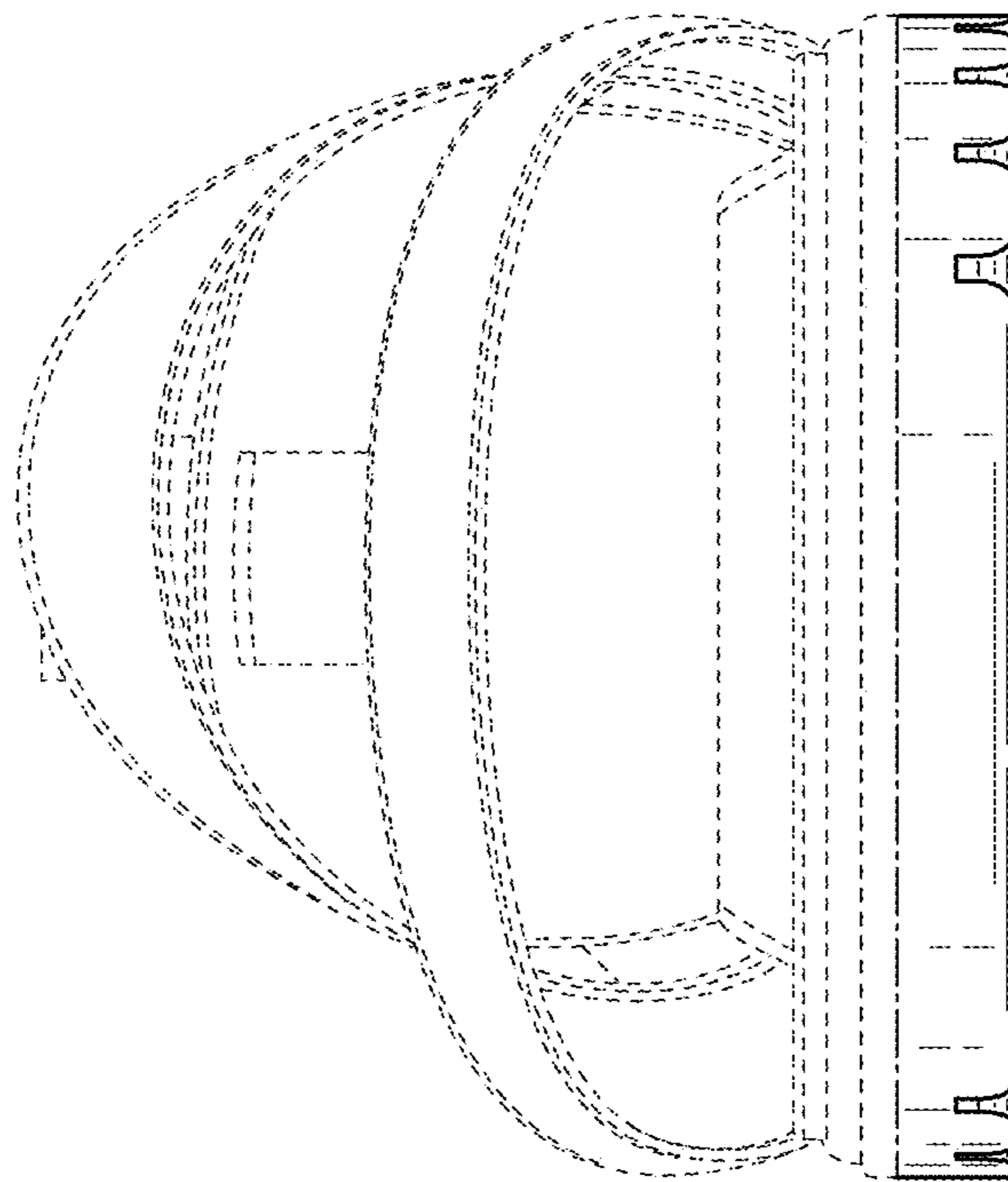


FIG. 4

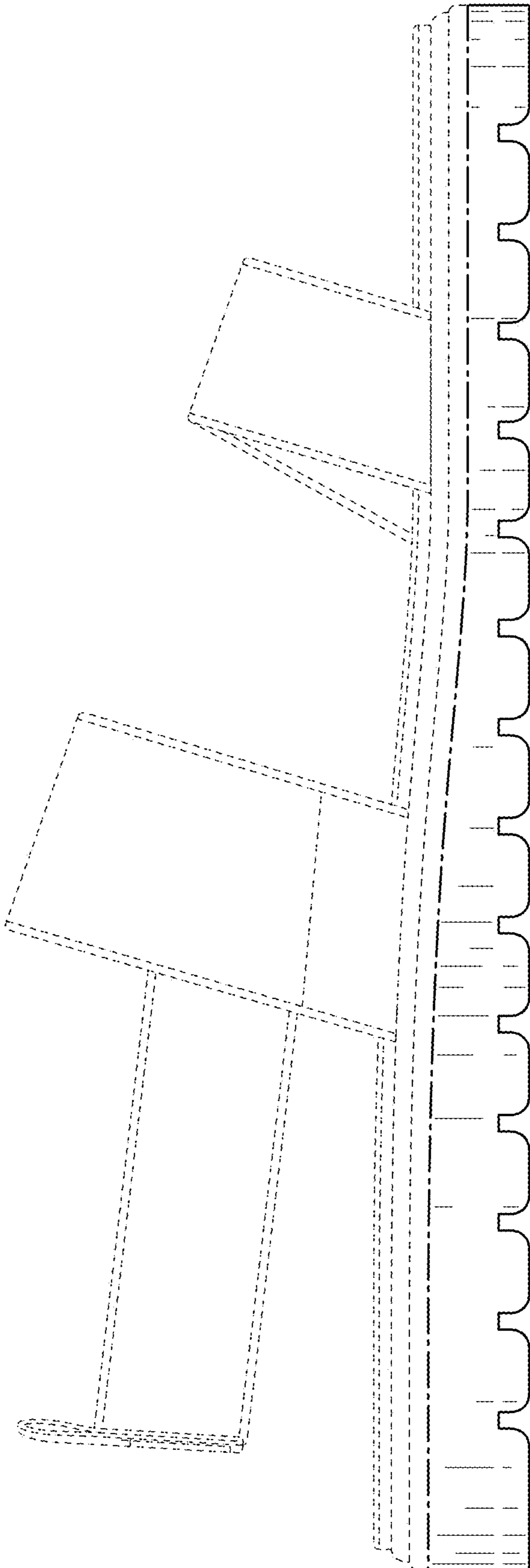


FIG. 5

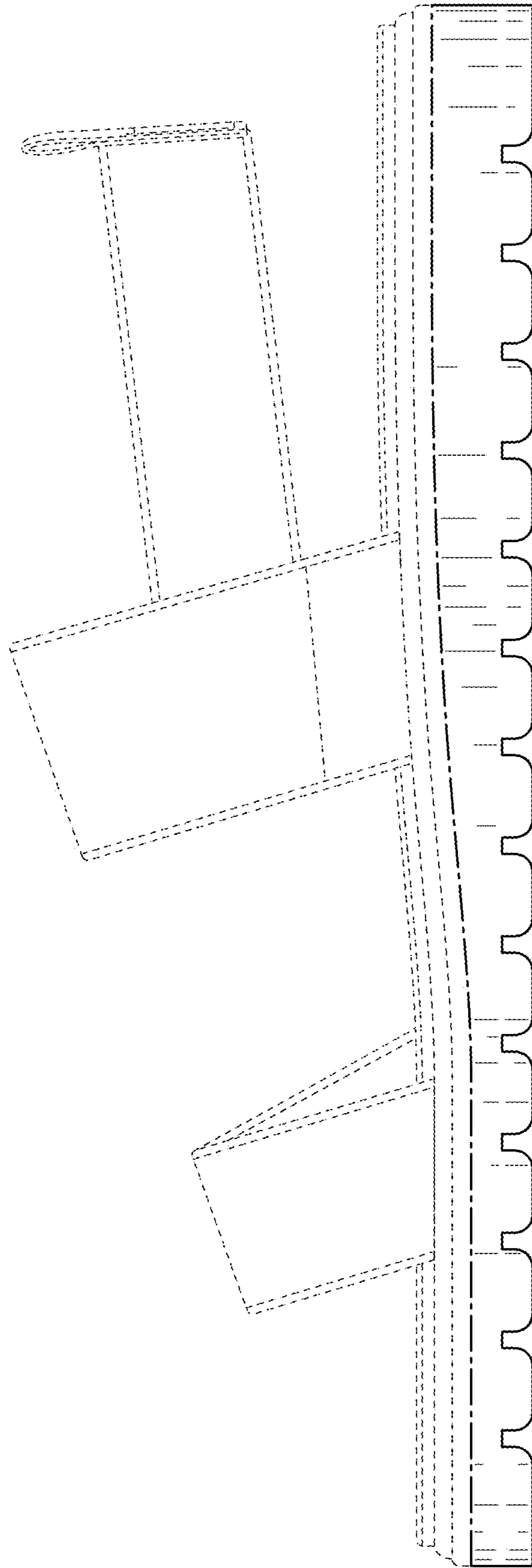


FIG. 6

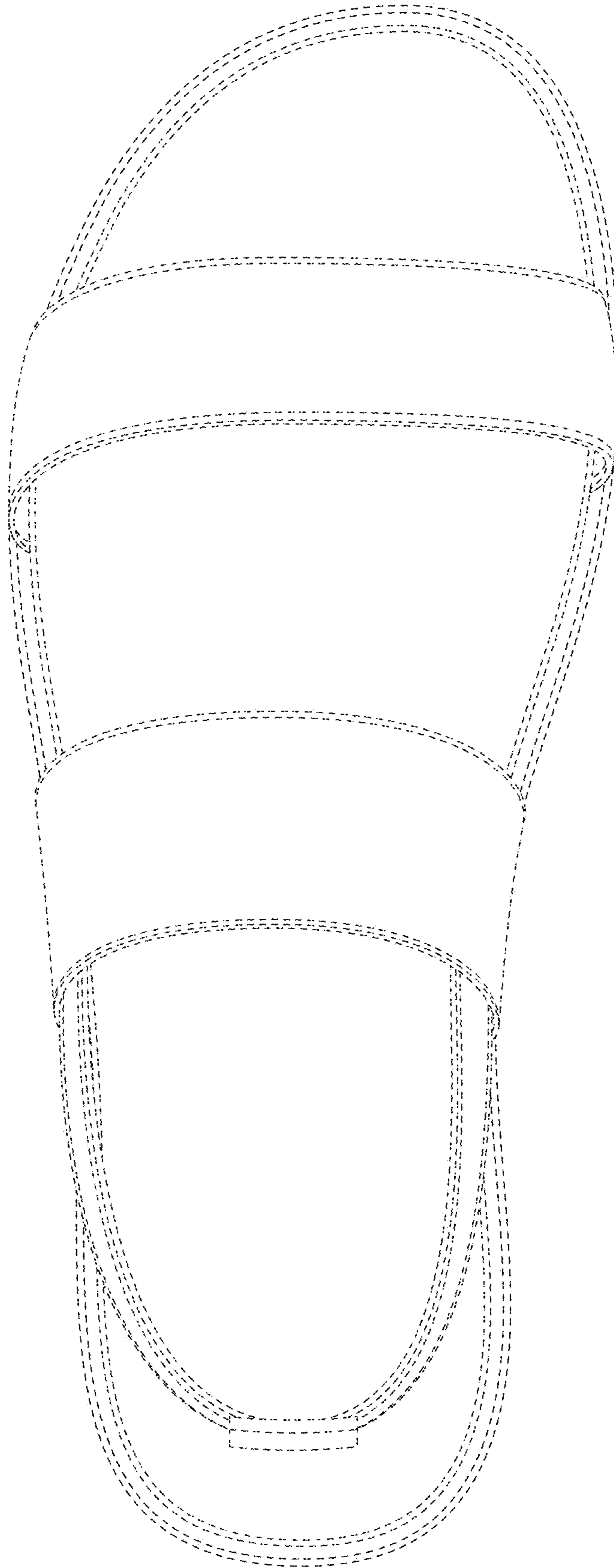


FIG. 7

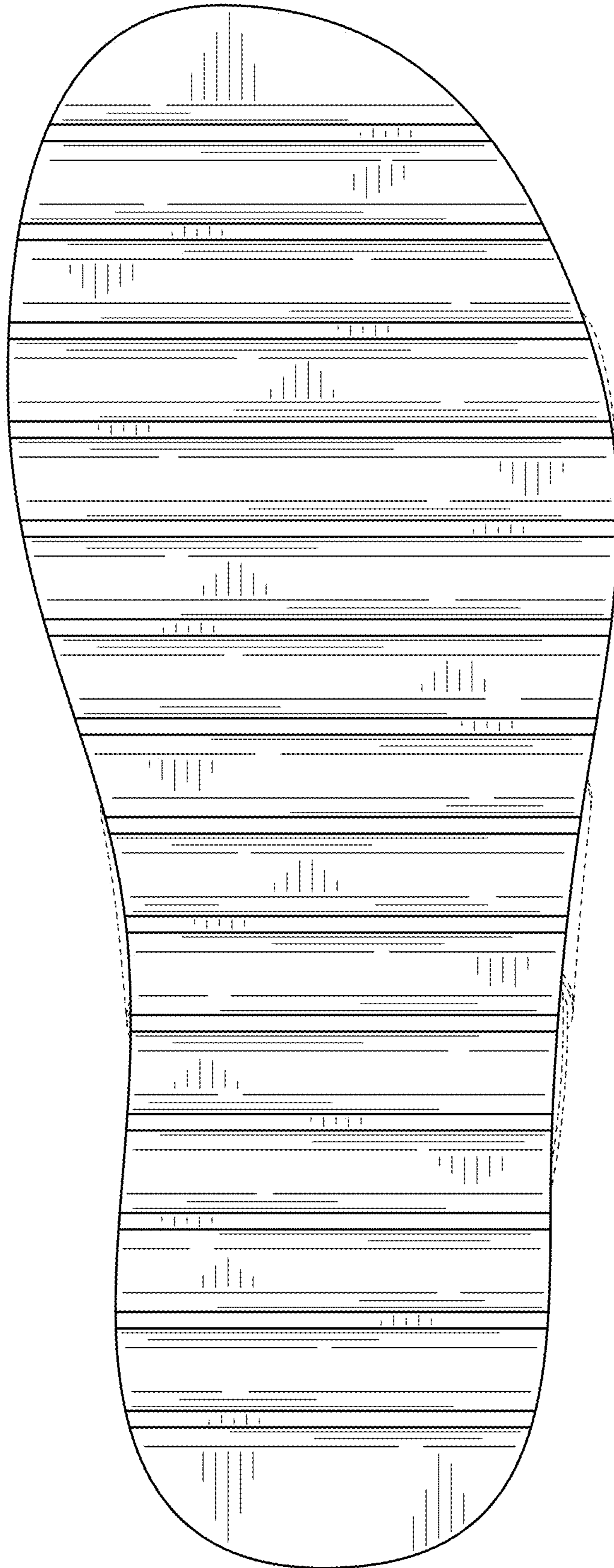


FIG. 8