



US00D987994S

(12) **United States Design Patent**
Hong

(10) **Patent No.:** **US D987,994 S**
(45) **Date of Patent:** **** Jun. 6, 2023**

- (54) **BAG**
- (71) Applicant: **Huai Hong**, Guangzhou (CN)
- (72) Inventor: **Huai Hong**, Guangzhou (CN)
- (**) Term: **15 Years**
- (21) Appl. No.: **29/881,244**
- (22) Filed: **Dec. 29, 2022**
- (51) **LOC (14) Cl.** **03-01**
- (52) **U.S. Cl.**
USPC **D3/245; D3/246**
- (58) **Field of Classification Search**
USPC D3/226, 229, 232, 233, 234, 235, 238,
D3/243, 245, 246, 289, 241, 244, 203.1,
D3/203.7, 276, 287, 901; D7/606, 607;
D10/2, 31; D11/149
CPC A45C 15/08; A45C 3/06; A45C 1/00
See application file for complete search history.

(56) **References Cited**

U.S. PATENT DOCUMENTS

D256,632 S	*	9/1980	Workman	D3/287
D280,864 S	*	10/1985	Allen	D3/901
D292,846 S	*	11/1987	Kim	D3/246
D378,709 S	*	4/1997	Jacobs	D3/246
D381,506 S	*	7/1997	Roeder	D3/246
D672,951 S	*	12/2012	Boone	D3/245
D811,735 S	*	3/2018	Molnar	D3/233
D841,323 S	*	2/2019	Dumas	D3/245
D871,757 S	*	1/2020	Gombert-Duclos	D3/245
D898,352 S	*	10/2020	Hawkes	D3/245
D973,352 S		12/2022	Mattiussi		

FOREIGN PATENT DOCUMENTS

GB 6248583 * 12/2022

OTHER PUBLICATIONS

Amazon.com, Site visited Feb. 1, 2023, DIVCIDLC Camera Purse,
First available Sep. 17, 2022, <https://www.amazon.com/Crossbody->

Adjustable-Shoulder-Handbag-Lightweight/dp/B0BFKKSXLM (Year: 2022).*

Amazon.com, Site visited Jan. 30, 2023, Fashion Puzzle Triple Zip Small Crossbody Bag, first available Sep. 9, 2016, <https://www.amazon.com/Triple-Zip-Small-Crossbody-Bag/dp/B01LVW7ATZ?th=1> (Year: 2016).*

Amazon.com, Site visited Jan. 31, 2023, Aovtero Crossbody Bag, Date first available Sep. 20, 2022, <https://www.amazon.com/Aovtero-Crossbody-Leather-Shoulder-Adjustable/dp/B0BDMQB6VZ> (Year: 2022).*

Amazon.ca, Site visited Jan. 30, 2023, MUIIKOLA Roulens Triple Zip Crossbody Bag, First available Aug. 31, 2022, <https://www.amazon.ca/Roulens-Triple-Crossbody-Shoulder-Handbag/dp/B0BBF2Z71C> (Year: 2022).*

* cited by examiner

Primary Examiner — Brett Miller
Assistant Examiner — Jessica M Gebhart

(57) **CLAIM**

The ornamental design for a bag, as shown and described.

DESCRIPTION

FIG. 1 is a front perspective view of a bag, showing my new design;

FIG. 2 is a rear perspective view thereof;

FIG. 3 is a front view thereof;

FIG. 4 is a rear view thereof;

FIG. 5 is a left side view thereof;

FIG. 6 is a right side view thereof;

FIG. 7 is a top view thereof;

FIG. 8 is a bottom view thereof;

FIG. 9 is an open state view thereof; and,

FIG. 10 is a partial enlargement of FIG. 9.

The broken lines in FIGS. 9 and 10 depict portions of the bag that form no part of the claimed design.

1 Claim, 10 Drawing Sheets



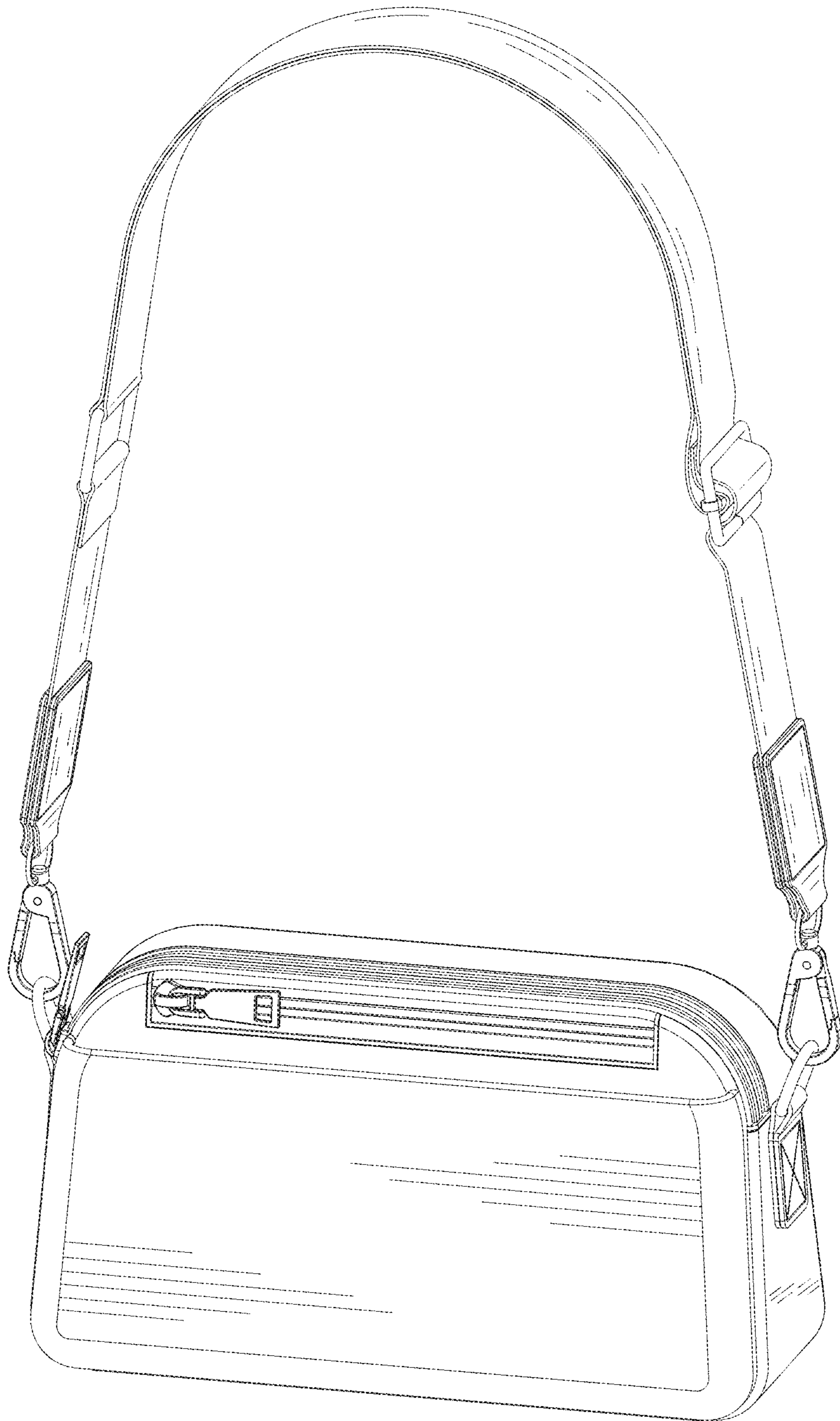


FIG. 1

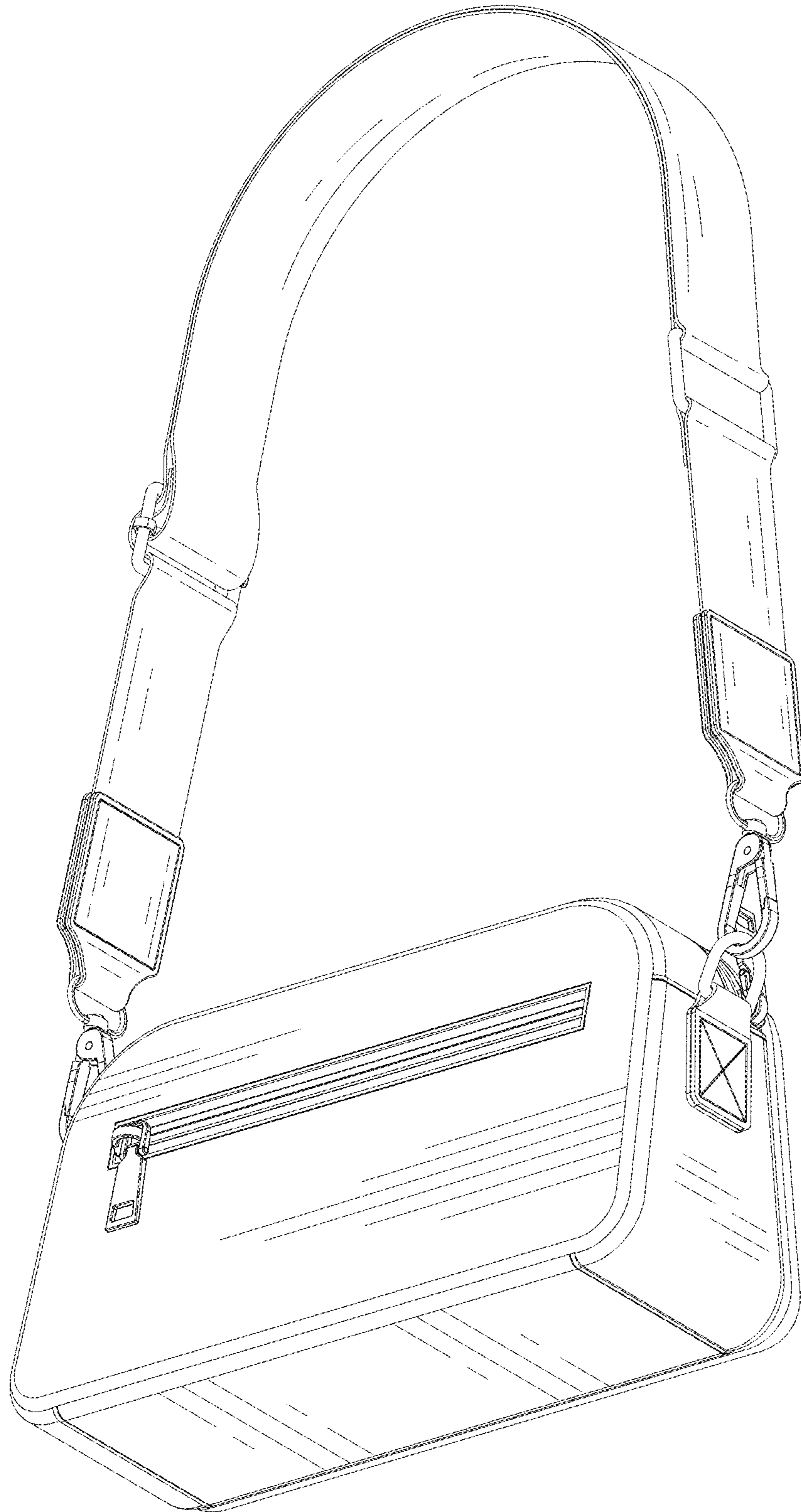


FIG. 2

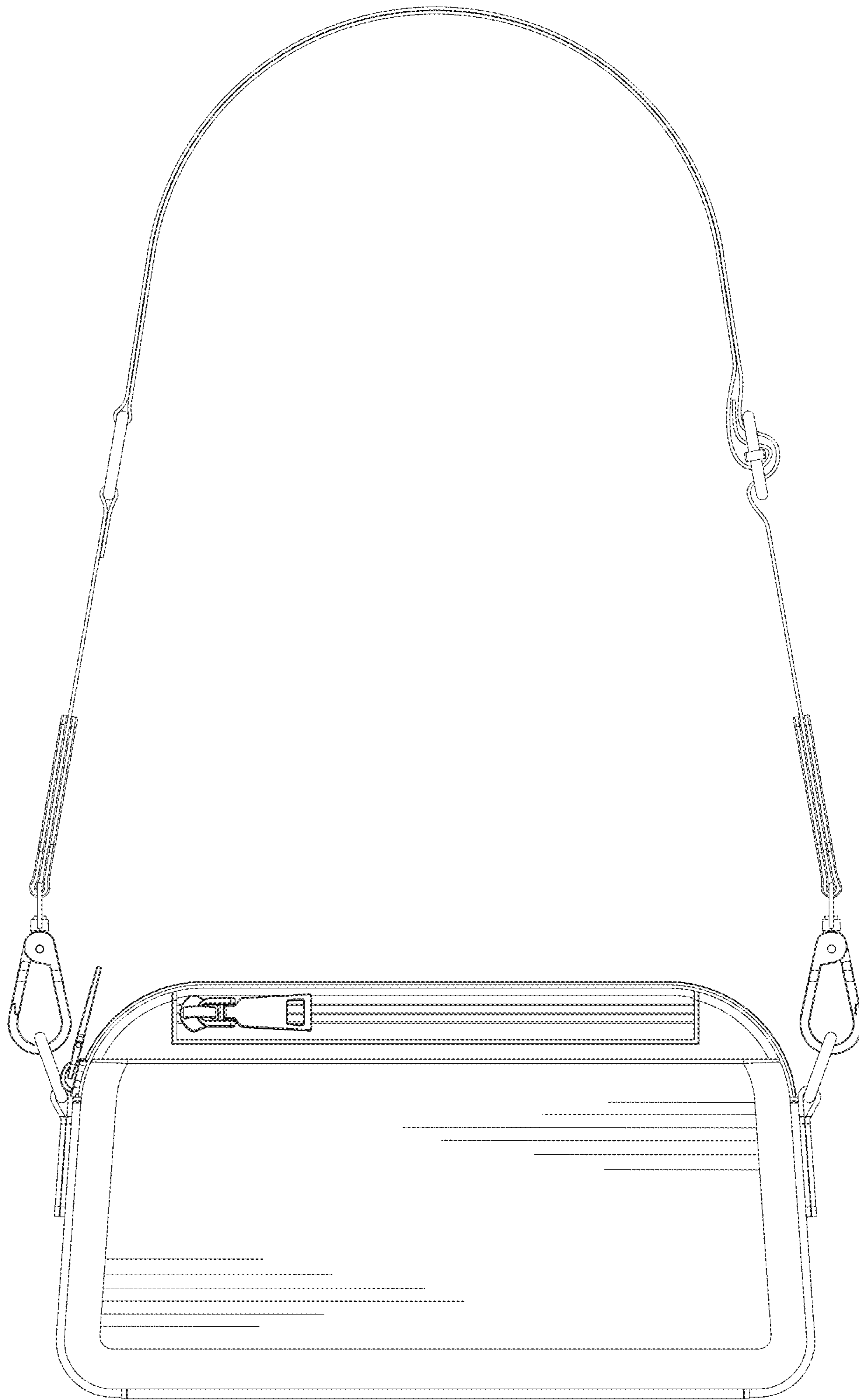


FIG. 3

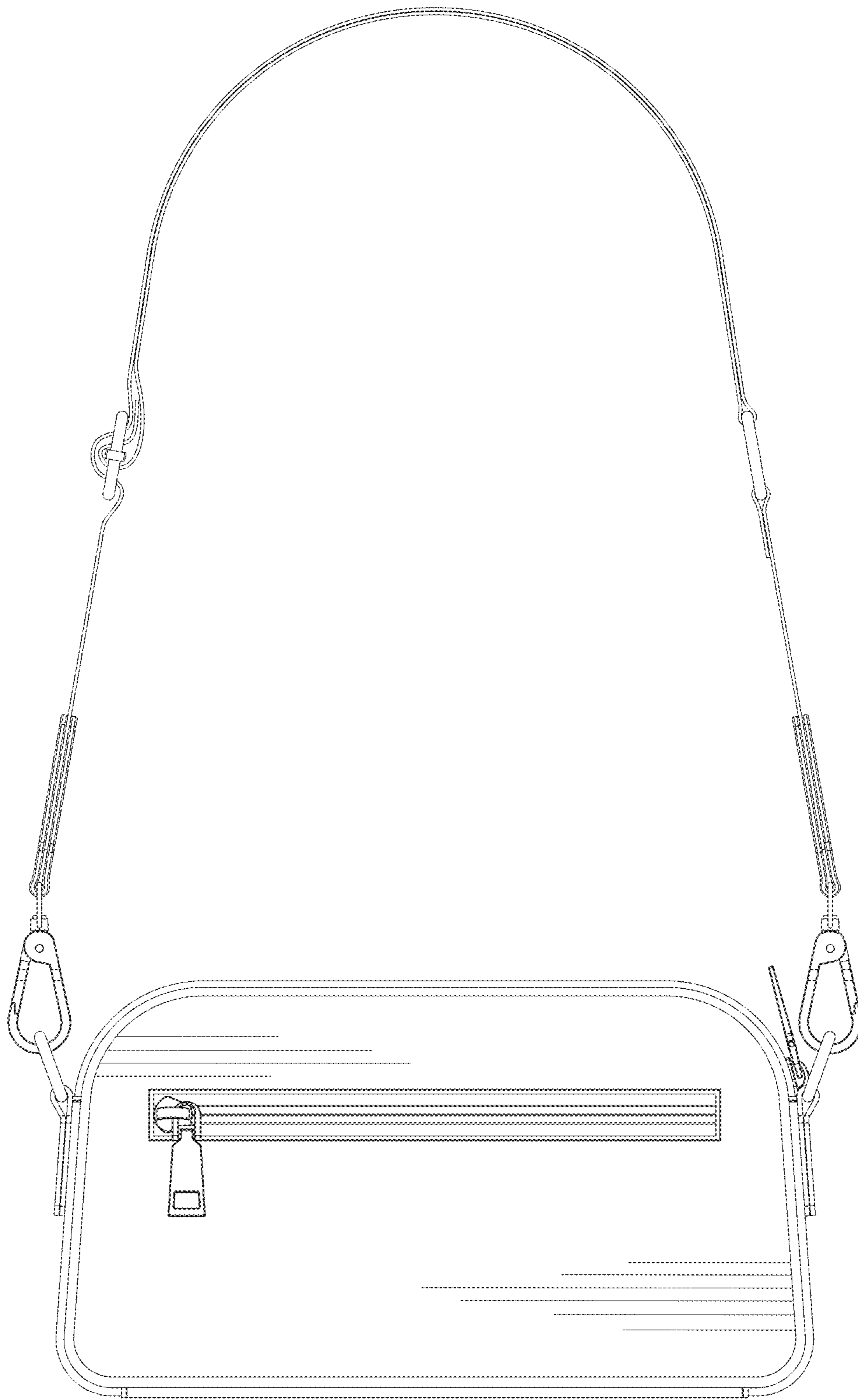


FIG. 4

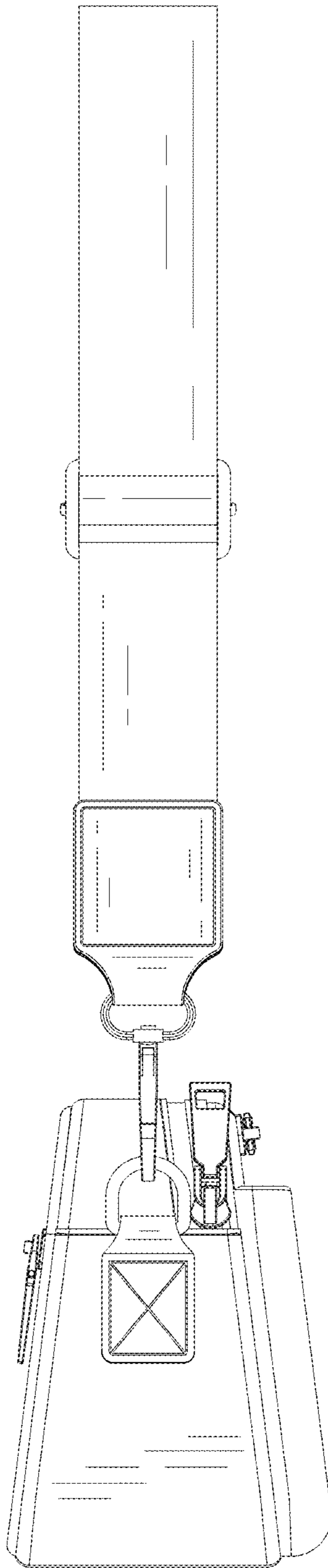


FIG. 5

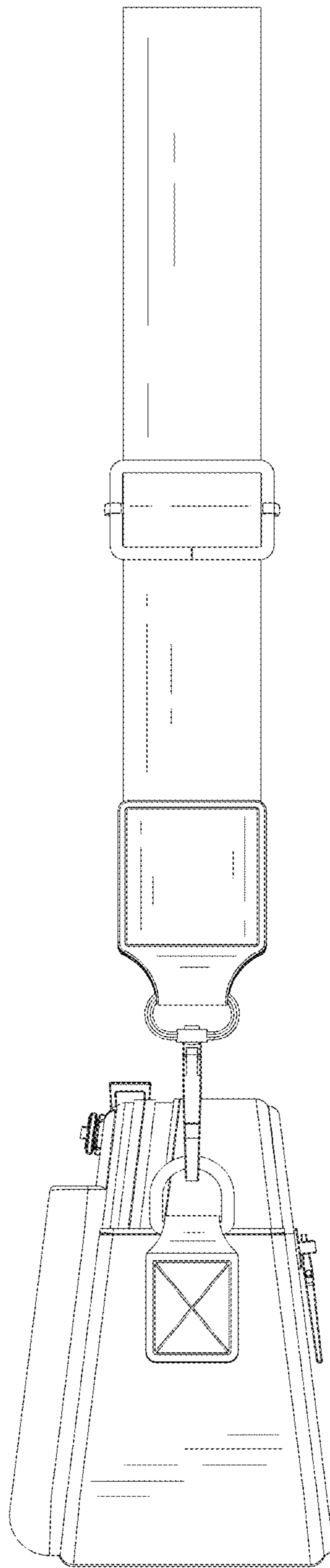


FIG. 6

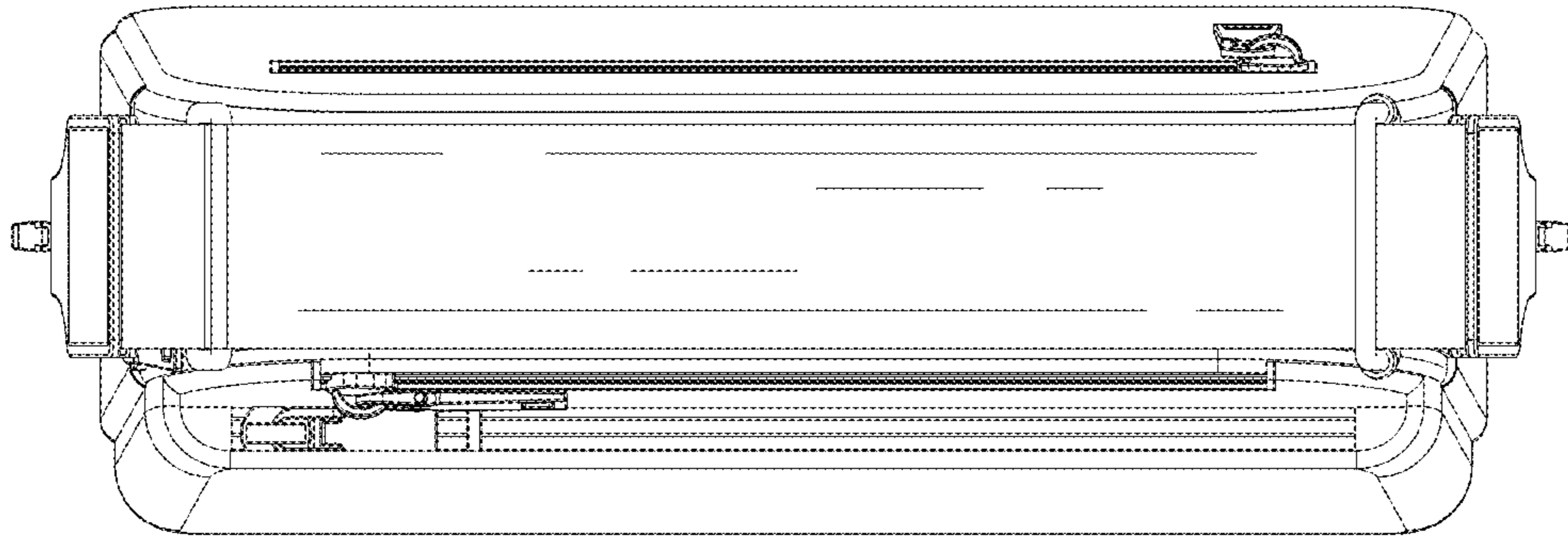


FIG. 7

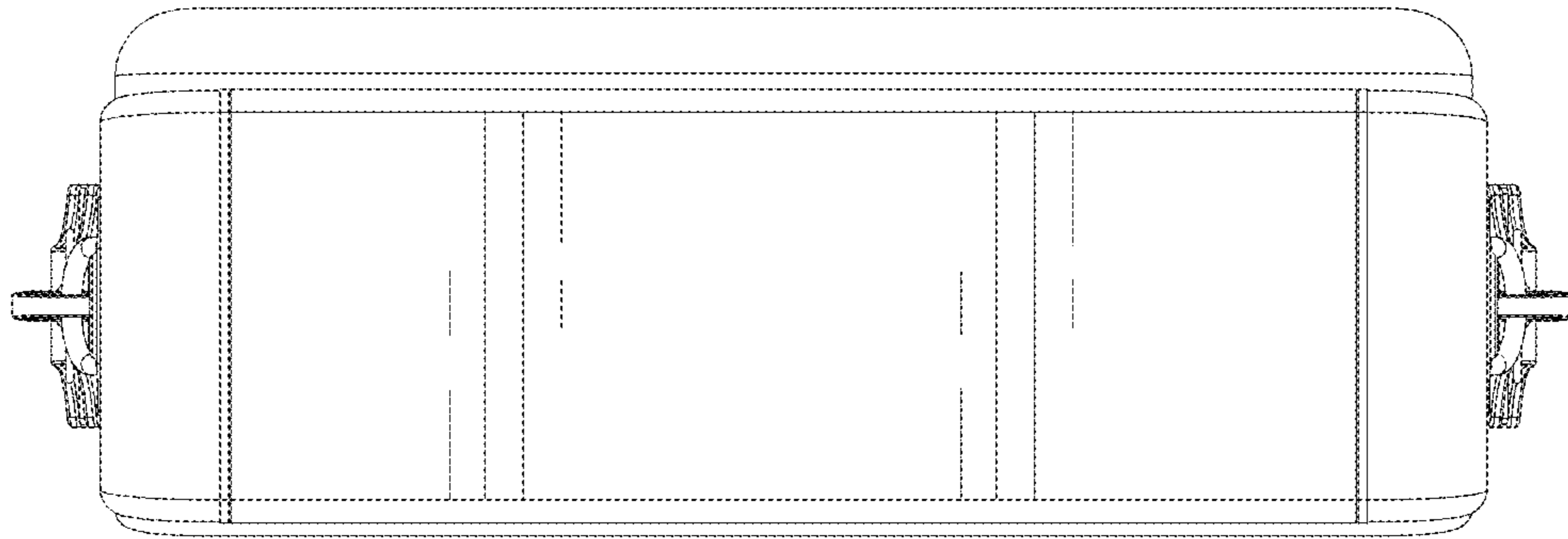


FIG. 8

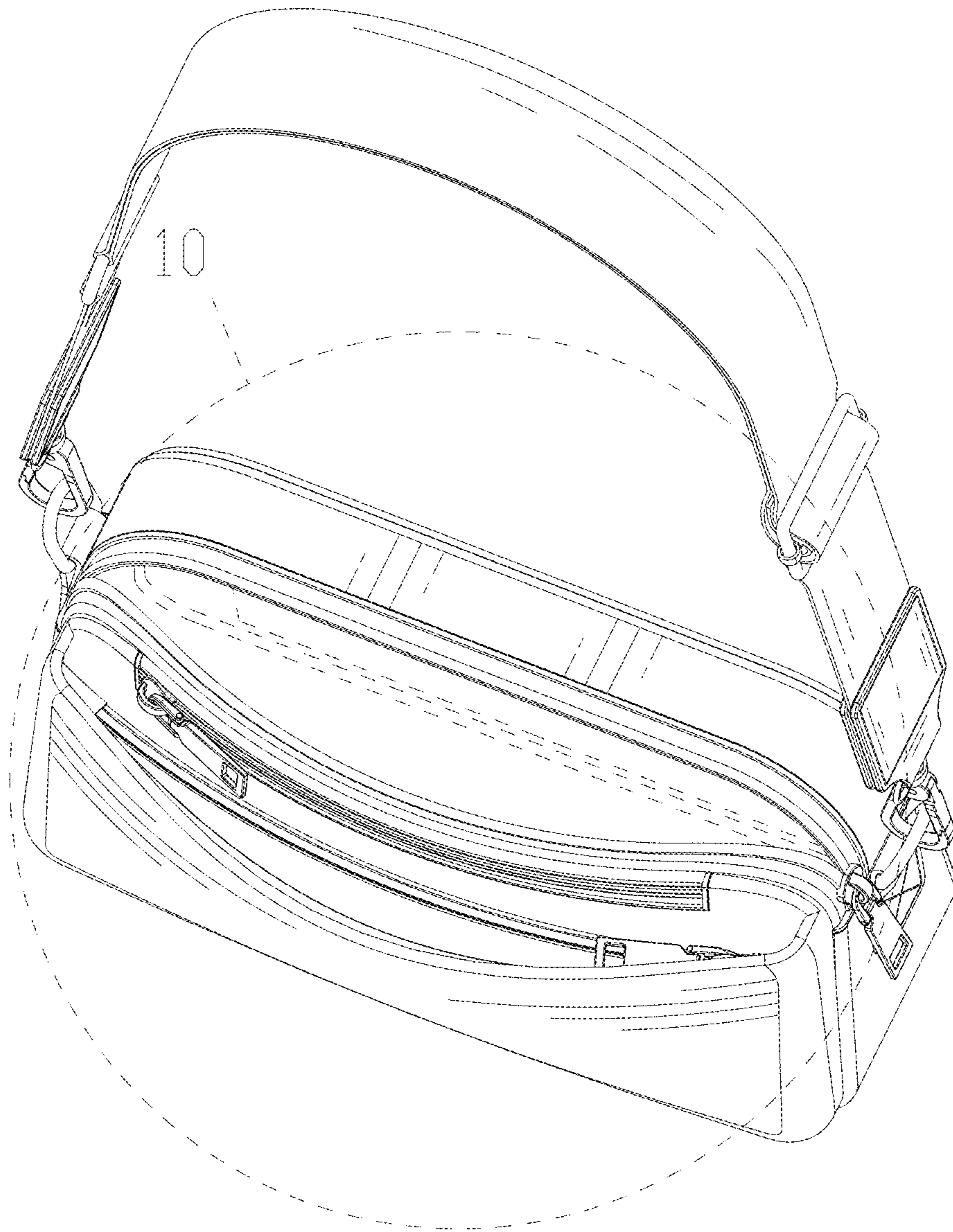


FIG. 9

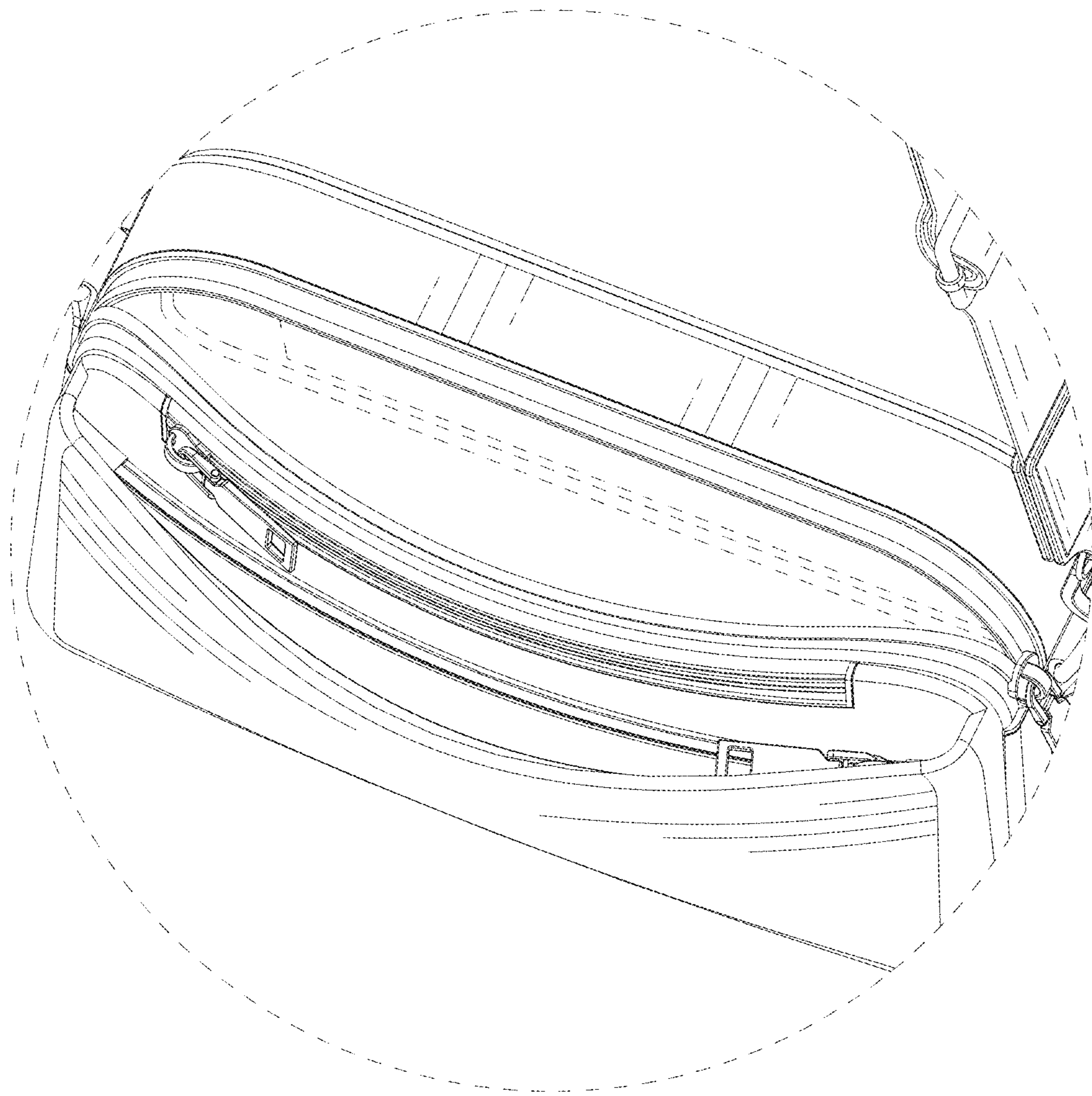


FIG. 10