



US00D987989S

(12) **United States Design Patent** (10) **Patent No.:** **US D987,989 S**  
**Spaziani** (45) **Date of Patent:** **\*\* \*Jun. 6, 2023**

- (54) **HANDBAG**
- (71) Applicant: **LOUIS VUITTON MALLETIER**,  
Paris (FR)
- (72) Inventor: **Darren Spaziani**, New York, NY (US)
- (73) Assignee: **LOUIS VUITTON MALLETIER**,  
Paris (FR)
- (\*) Notice: This patent is subject to a terminal disclaimer.
- (\*\*) Term: **15 Years**
- (21) Appl. No.: **29/774,001**
- (22) Filed: **Mar. 12, 2021**

D792,092 S *	7/2017	Vevers	.....	D3/243
D818,265 S *	5/2018	Hawkes	.....	D3/232
D818,706 S *	5/2018	Maier	.....	D3/232
D837,510 S *	1/2019	Vevers	.....	D3/243
D838,976 S *	1/2019	Colonna	.....	D3/243
D845,622 S *	4/2019	Guyon	.....	D3/243
D857,382 S *	8/2019	Fusi	.....	D3/243
D858,094 S *	9/2019	Gombert-Duclos	.....	D3/243
D860,644 S *	9/2019	Dolce	.....	D3/243
D867,755 S *	11/2019	Tomasetta	.....	D3/243
D876,830 S *	3/2020	Spaziani	.....	D3/243
D878,745 S *	3/2020	Murri	.....	D3/232
D891,094 S *	7/2020	Dumas	.....	D3/232
D923,331 S *	6/2021	Hawkes	.....	D3/245
D923,932 S *	7/2021	Spaziani	.....	D3/243
D932,768 S *	10/2021	Spaziani	.....	D3/232
D942,145 S *	2/2022	Spaziani	.....	D3/243
D954,433 S *	6/2022	Knightly	.....	A45C 3/06 D3/243

\* cited by examiner

**Related U.S. Application Data**

- (63) Continuation of application No. 29/688,481, filed on Apr. 22, 2019, now Pat. No. Des. 932,768.

*Primary Examiner* — Rhea Shields

(74) *Attorney, Agent, or Firm* — Fross, Zelnick, Lehrman & Zissu PC; Charles T. J. Weigell, Esq.

**Foreign Application Priority Data**

- Oct. 22, 2018 (FR) ..... 2018-4759

(57) **CLAIM**

The ornamental design for a handbag, as shown and described.

- (51) **LOC (14) Cl.** ..... **03-01**

- (52) **U.S. Cl.**  
USPC ..... **D3/232**

**DESCRIPTION**

- (58) **Field of Classification Search**  
USPC ..... D3/232–233, 240–243, 245–246  
CPC ..... A45C 1/024; A45C 3/06  
See application file for complete search history.

FIG. 1 is a front view of a handbag showing my new design; FIG. 2 is a back view thereof; FIG. 3 is a right side view thereof; FIG. 4 is a left side view thereof; FIG. 5 is a top view thereof; and, FIG. 6 is a bottom view thereof.

In the drawings, the broken lines are for the purpose of illustrating portions of the handbag that form no part of the claimed design.

(56) **References Cited**

**U.S. PATENT DOCUMENTS**

D648,120 S *	11/2011	Gonzalez	.....	D3/232
D745,268 S *	12/2015	Slimane	.....	D3/232
D756,633 S *	5/2016	Spaziani	.....	D3/243

**1 Claim, 6 Drawing Sheets**





FIG. 1



FIG. 2

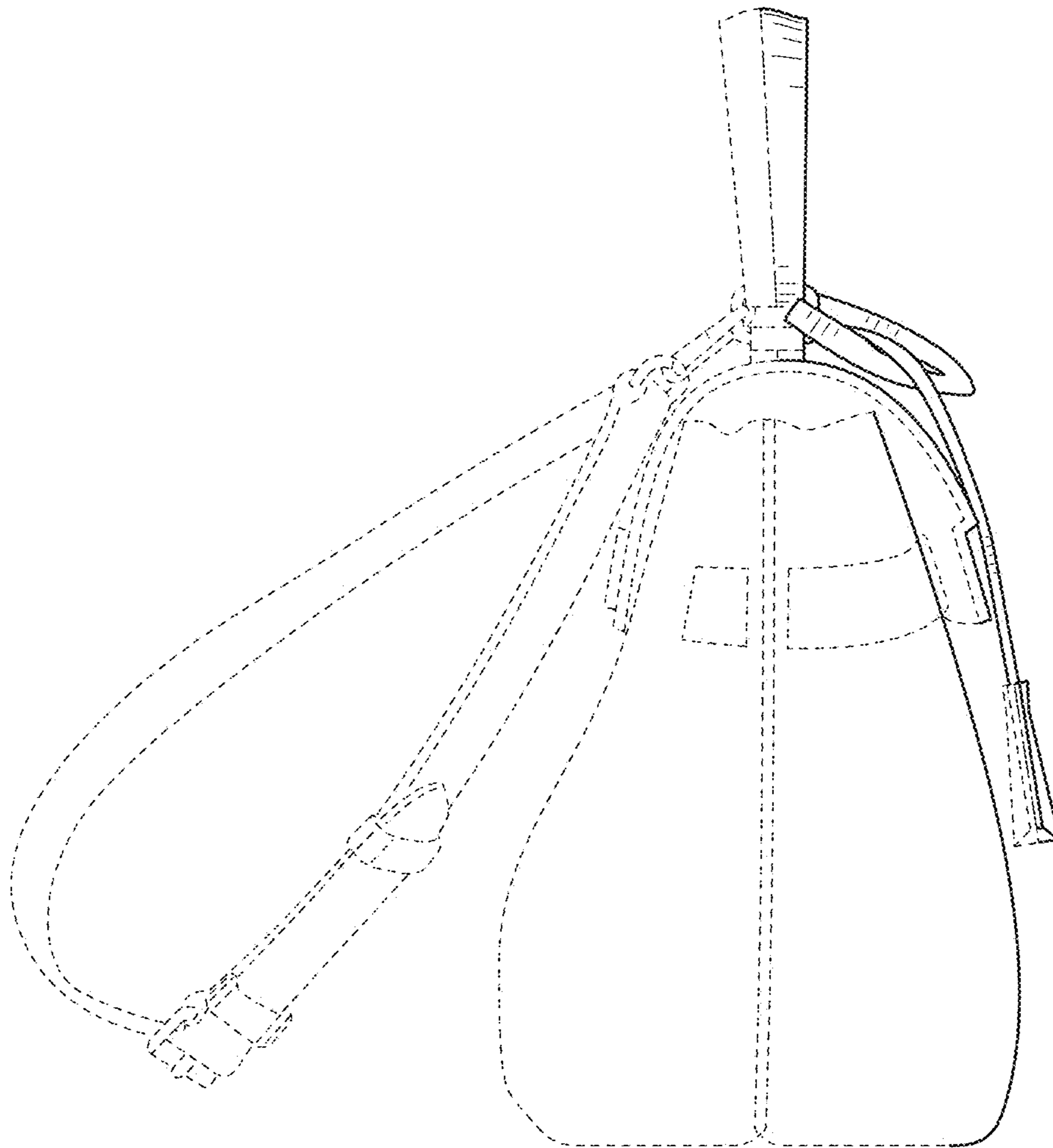


FIG. 3

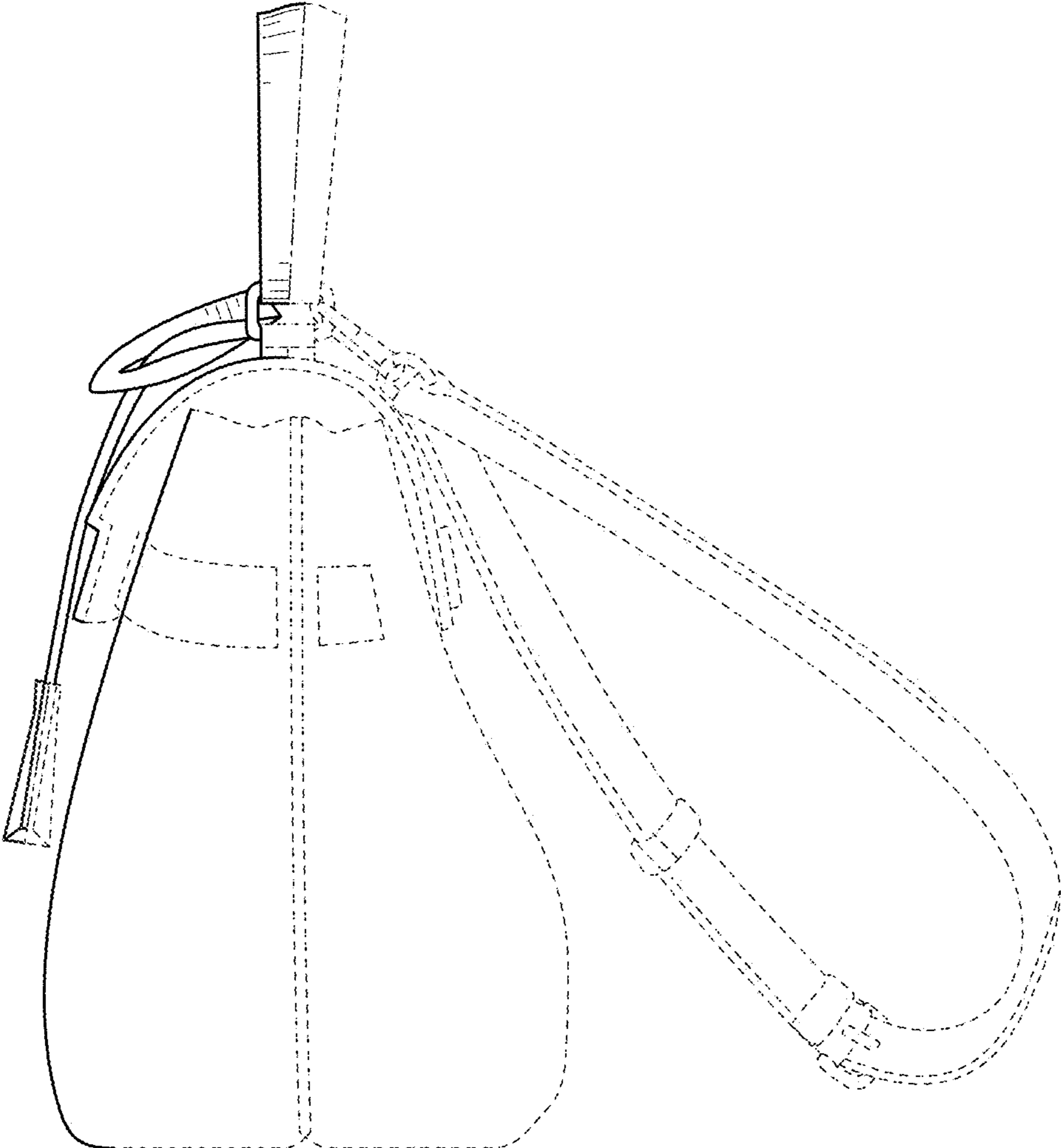


FIG. 4

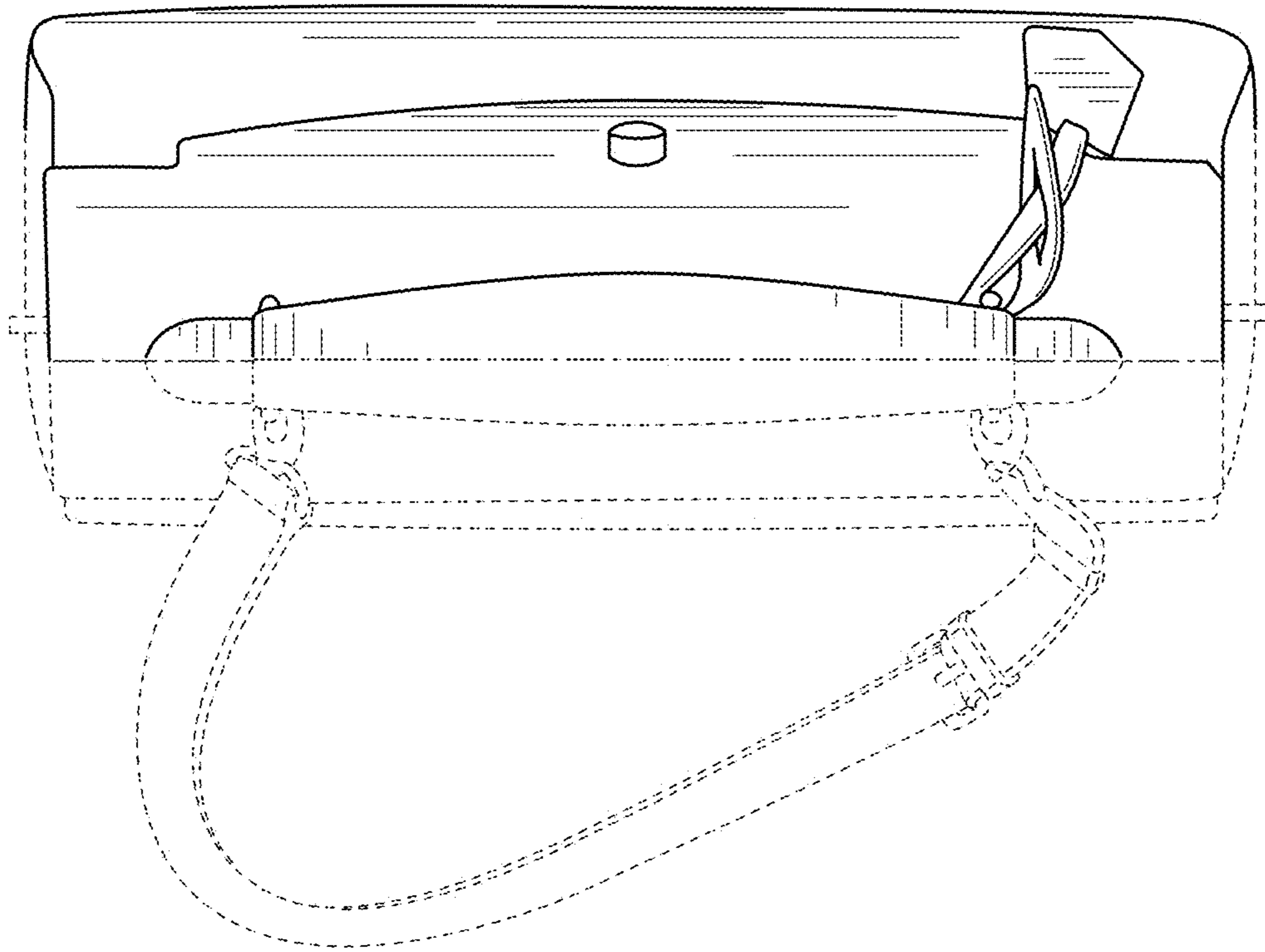


FIG. 5

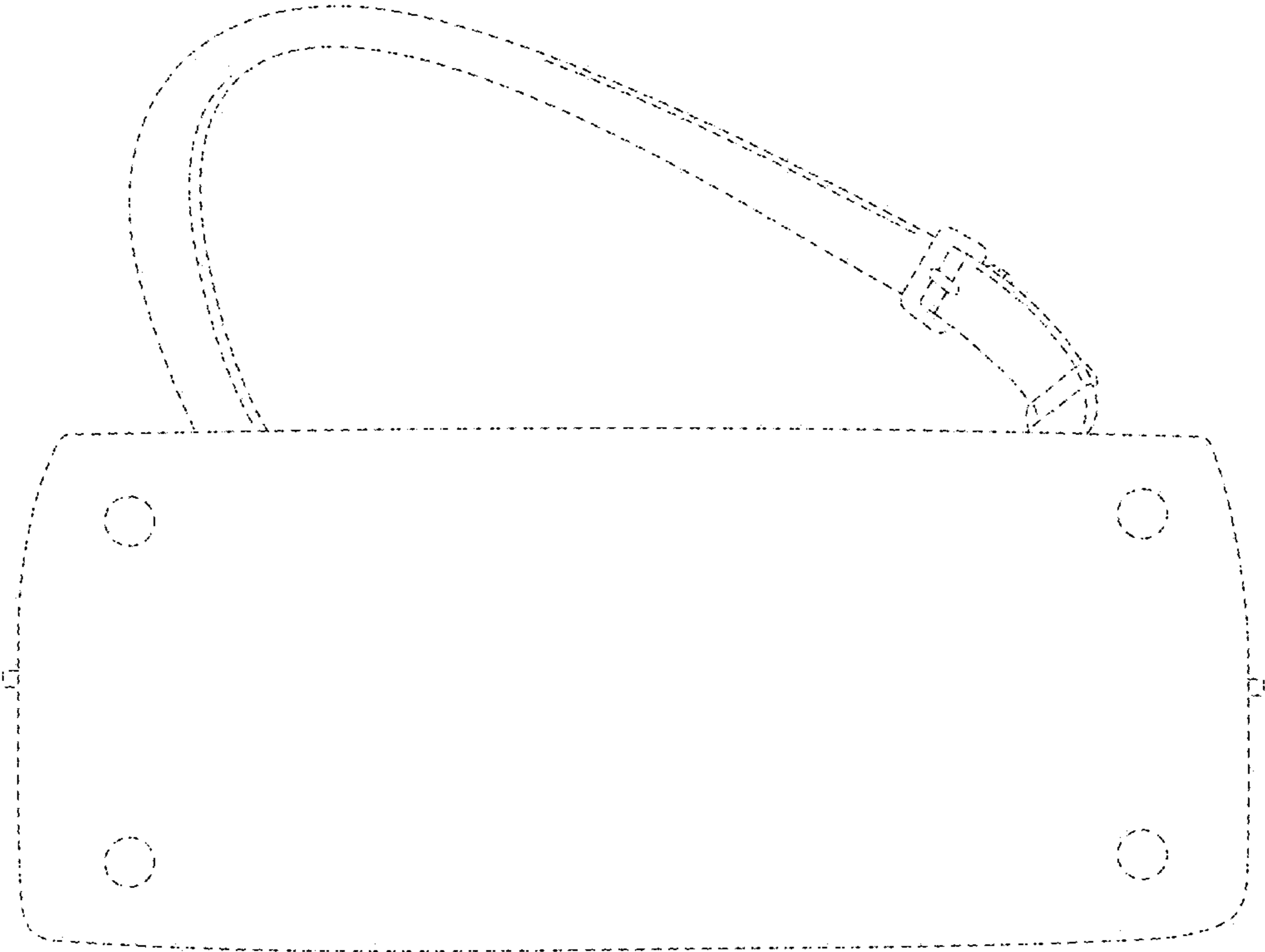


FIG. 6