



US00D987988S

(12) **United States Design Patent**
Geddes

(10) **Patent No.:** **US D987,988 S**

(45) **Date of Patent:** **** Jun. 6, 2023**

- (54) **BAG**
- (71) Applicant: **GIVENCHY**, Paris (FR)
- (72) Inventor: **Laura Geddes**, Paris (FR)
- (73) Assignee: **GIVENCHY**, Paris (FR)
- (**) Term: **15 Years**

D782,188 S *	3/2017	Tappeiner	D3/245
D830,057 S *	10/2018	Romano	D3/246
D862,072 S *	10/2019	Dong	D3/232
D933,359 S *	10/2021	Wu	D3/233
D968,806 S *	11/2022	Roberts	D3/246
D972,291 S *	12/2022	Lee	D3/232

* cited by examiner

Primary Examiner — Jennifer L Watkins
Assistant Examiner — Samantha Lynne Brodowski
 (74) *Attorney, Agent, or Firm* — Cantor Colburn LLP

- (21) Appl. No.: **29/770,331**
- (22) Filed: **Feb. 11, 2021**

(30) **Foreign Application Priority Data**

Oct. 3, 2020 (EM) 008194005-0001
 Oct. 3, 2020 (EM) 008194005-0002

- (51) **LOC (14) Cl.** **03-01**
- (52) **U.S. Cl.**
USPC **D3/232**
- (58) **Field of Classification Search**
USPC D3/232–234, 237–238, 243, 245–246
CPC .. A45C 1/02; A45C 9/00; A45C 1/024; A45C
3/00; A45C 3/06
See application file for complete search history.

(56) **References Cited**

U.S. PATENT DOCUMENTS

D135,027 S *	2/1943	Tashman	D3/243
D170,080 S *	7/1953	Codish	D3/232
D292,645 S *	11/1987	Young	D3/901
D315,984 S *	4/1991	Fowler	D3/246
D324,978 S *	3/1992	Rosson	D7/709
D453,621 S *	2/2002	Chapelier	D3/252
D502,804 S *	3/2005	Delafontaine	D3/243
7,152,737 B2 *	12/2006	Chin	B65D 33/25 383/97
D621,610 S *	8/2010	Parsley	D3/232

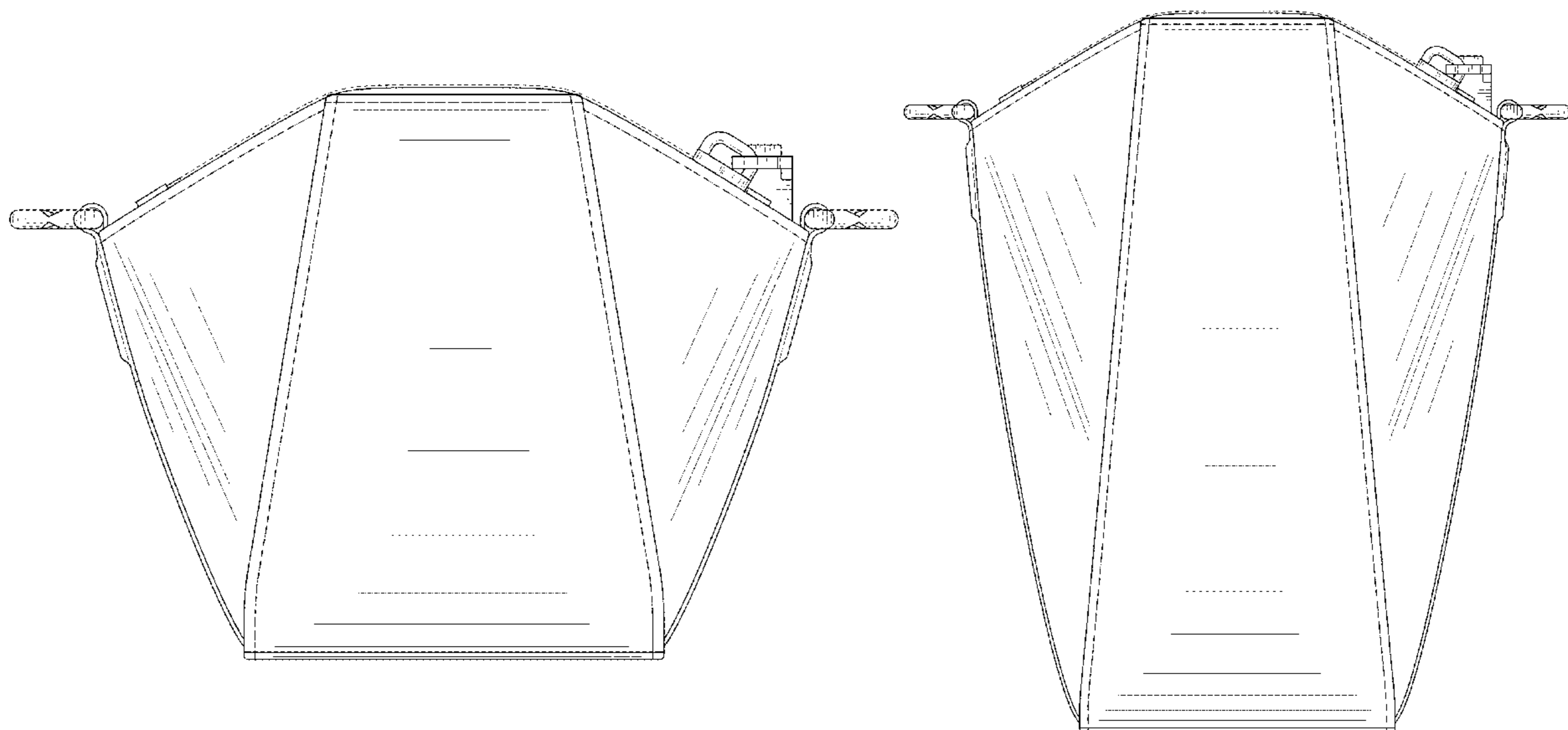
(57) **CLAIM**

I claim, the ornamental design for a bag, as shown and described.

DESCRIPTION

FIG. 1 is a perspective view of a bag, showing my new design;
 FIG. 2 is a front view thereof;
 FIG. 3 is a rear view thereof;
 FIG. 4 is a side view thereof;
 FIG. 5 is an opposite side view thereof;
 FIG. 6 is a top view thereof;
 FIG. 7 is a bottom view thereof;
 FIG. 8 is a perspective view of another embodiment thereof;
 FIG. 9 is a front view thereof;
 FIG. 10 is a rear view thereof;
 FIG. 11 is a side view thereof;
 FIG. 12 is an opposite side view thereof;
 FIG. 13 is a top view thereof; and,
 FIG. 14 is a bottom view thereof.
 The broken lines in the figures depict portions of the article and form no part of the claim.

1 Claim, 14 Drawing Sheets



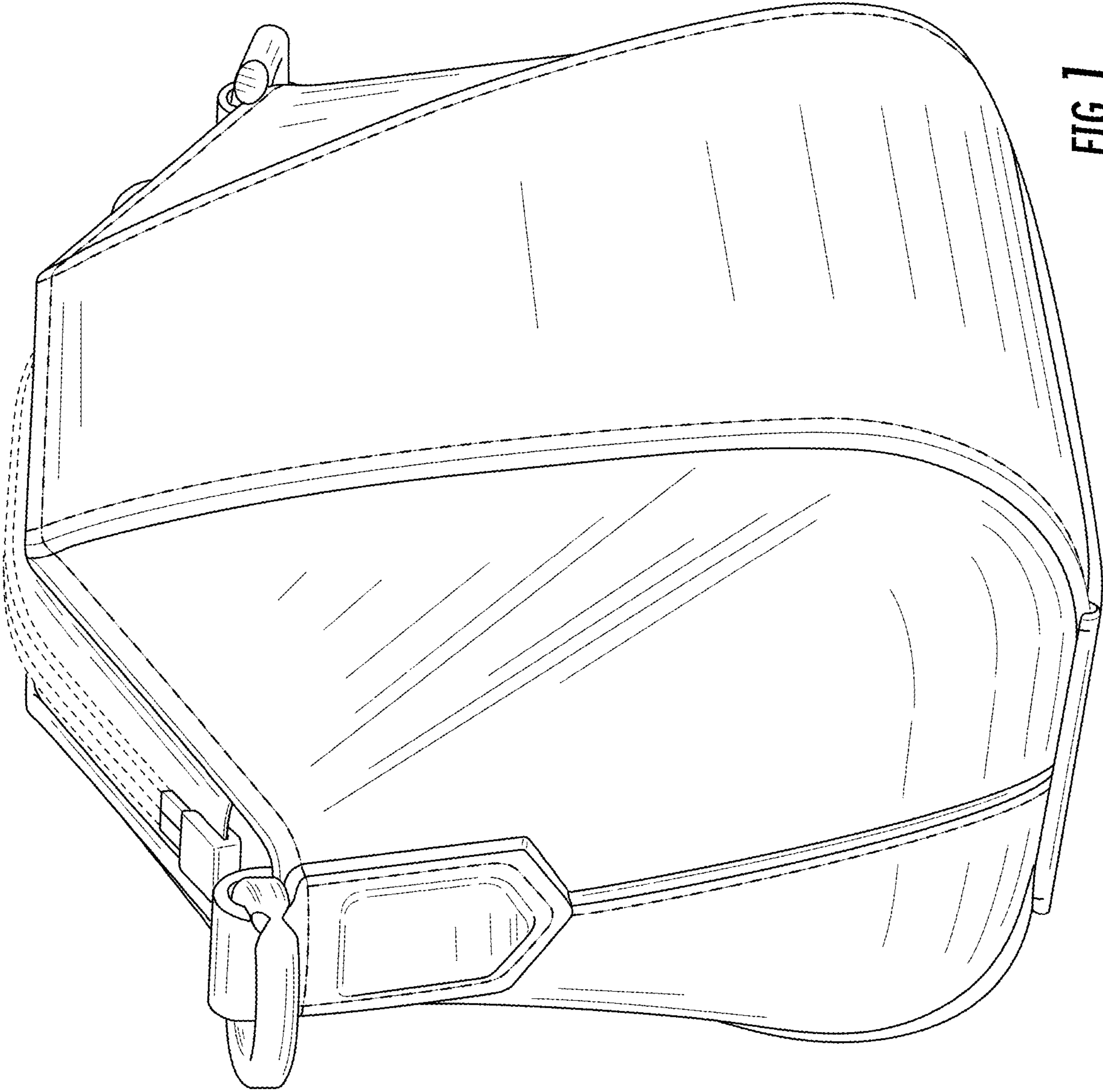


FIG. 1

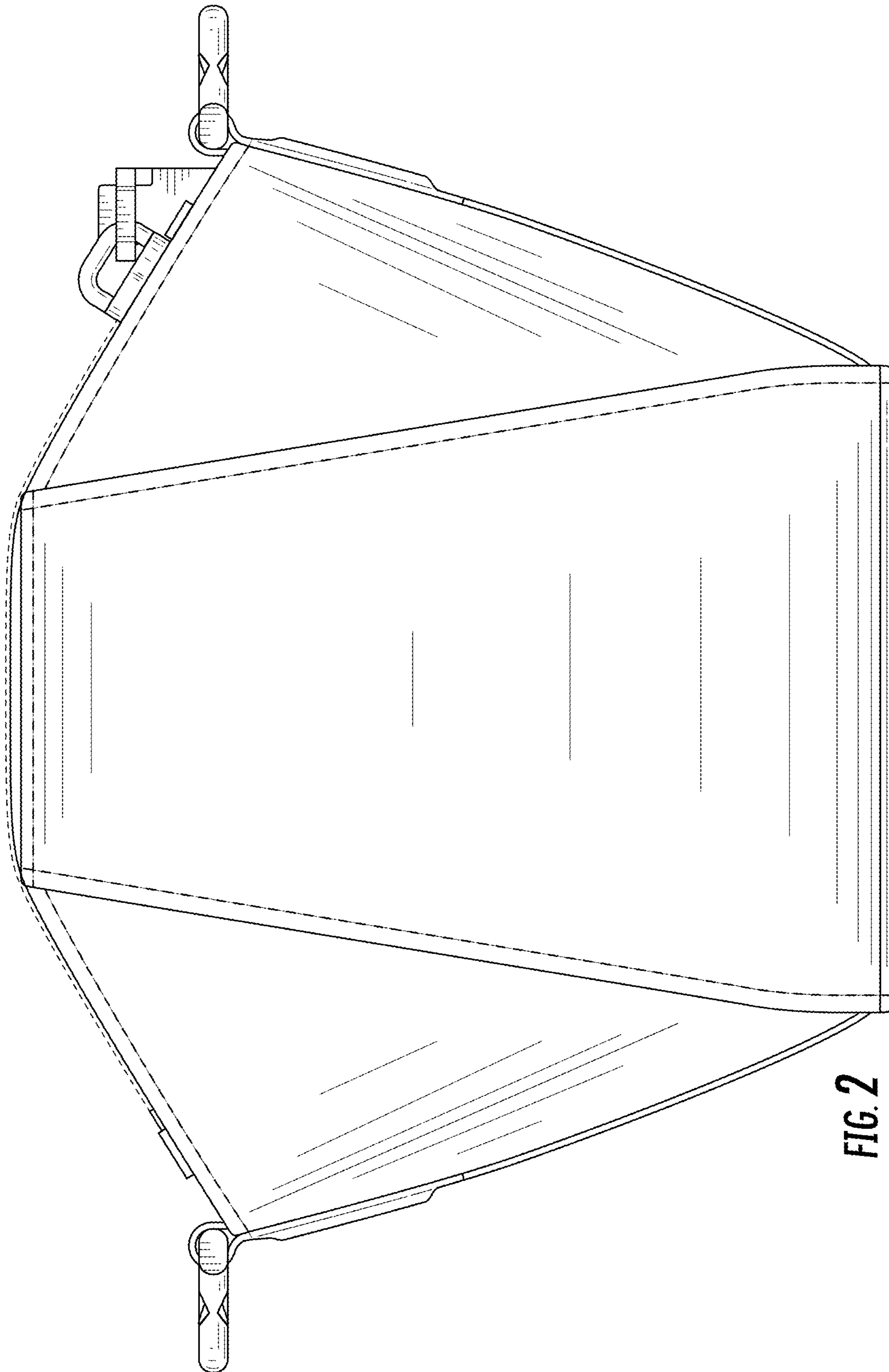


FIG. 2

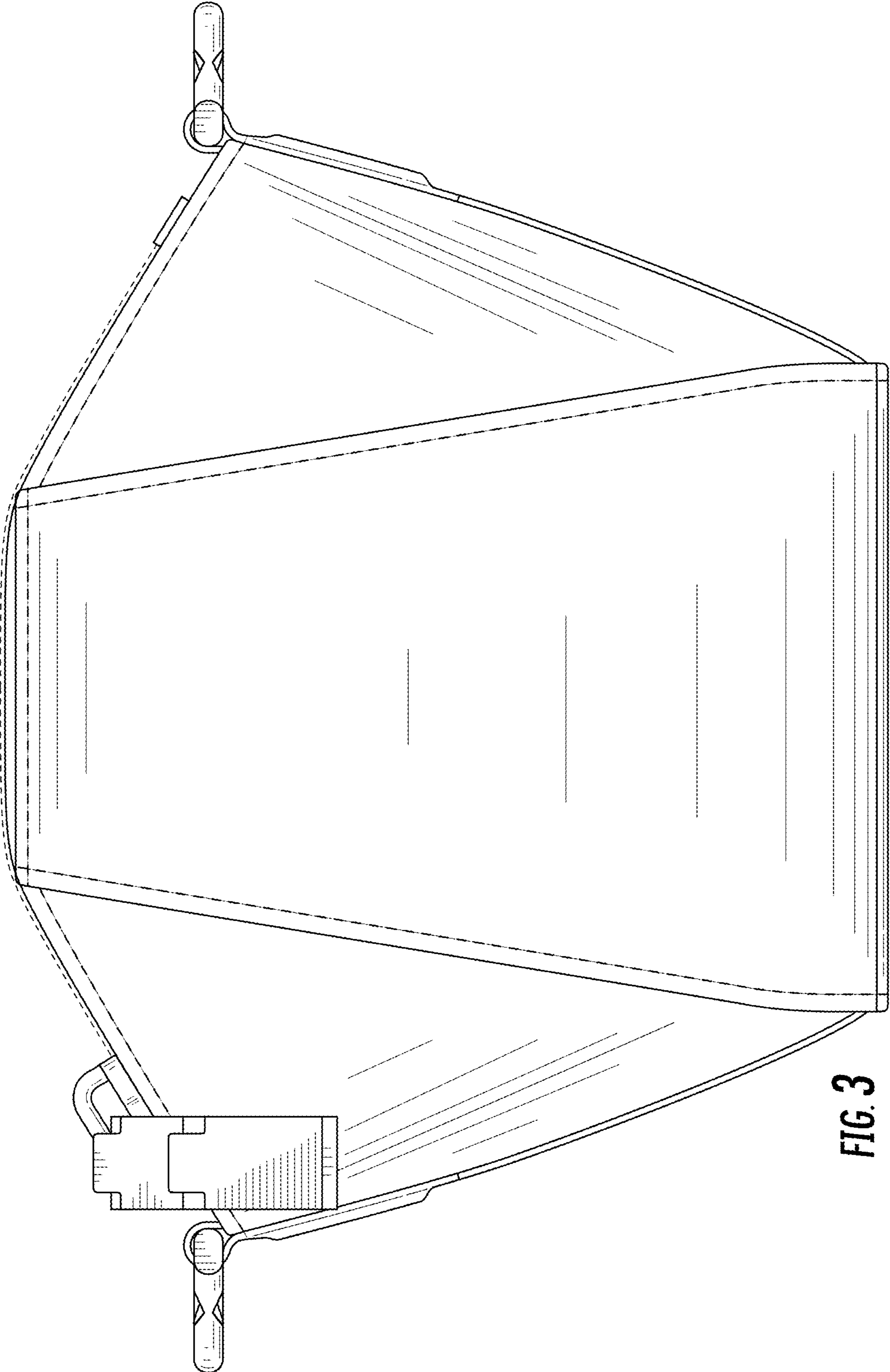


FIG. 3

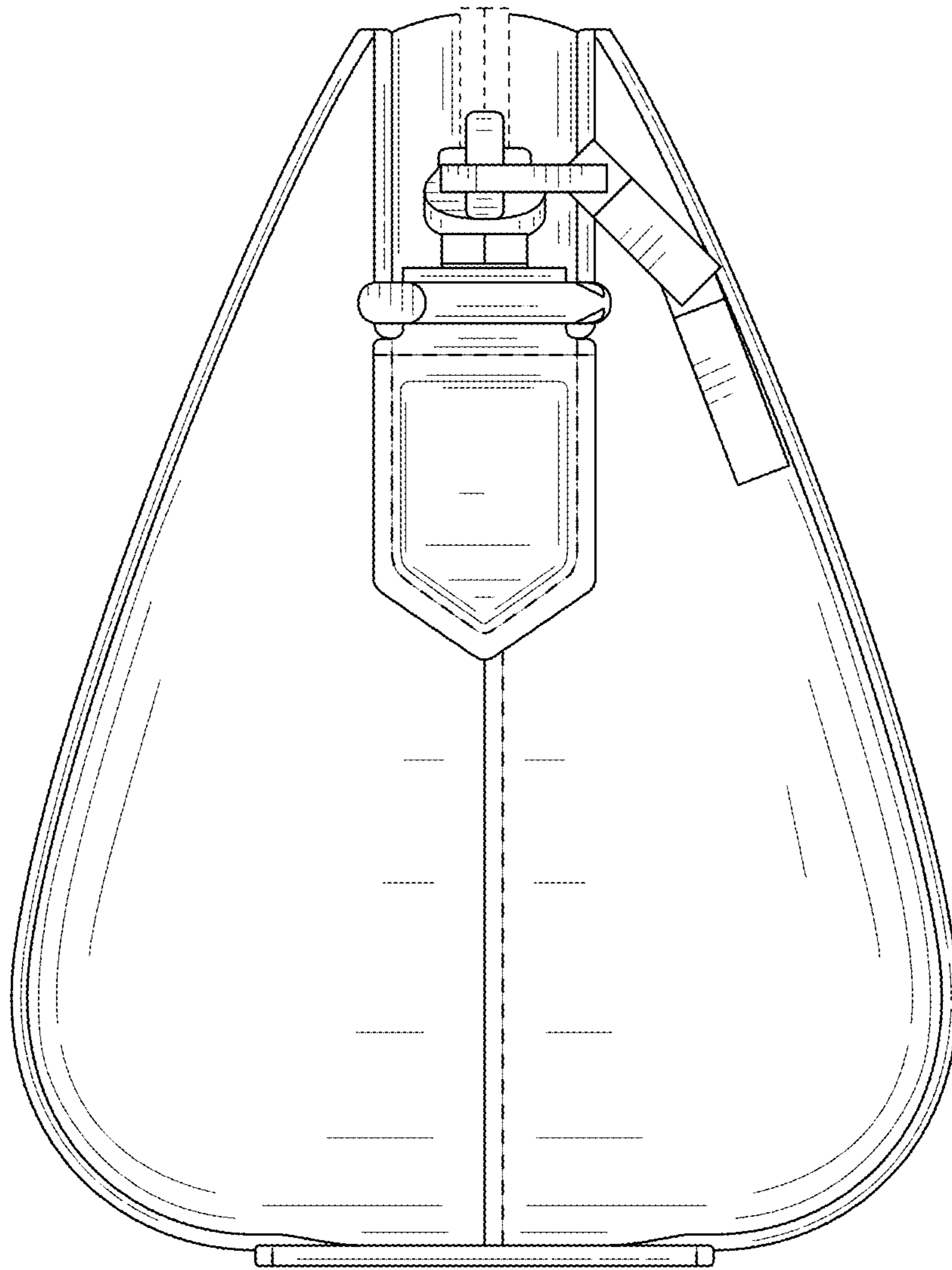


FIG. 4

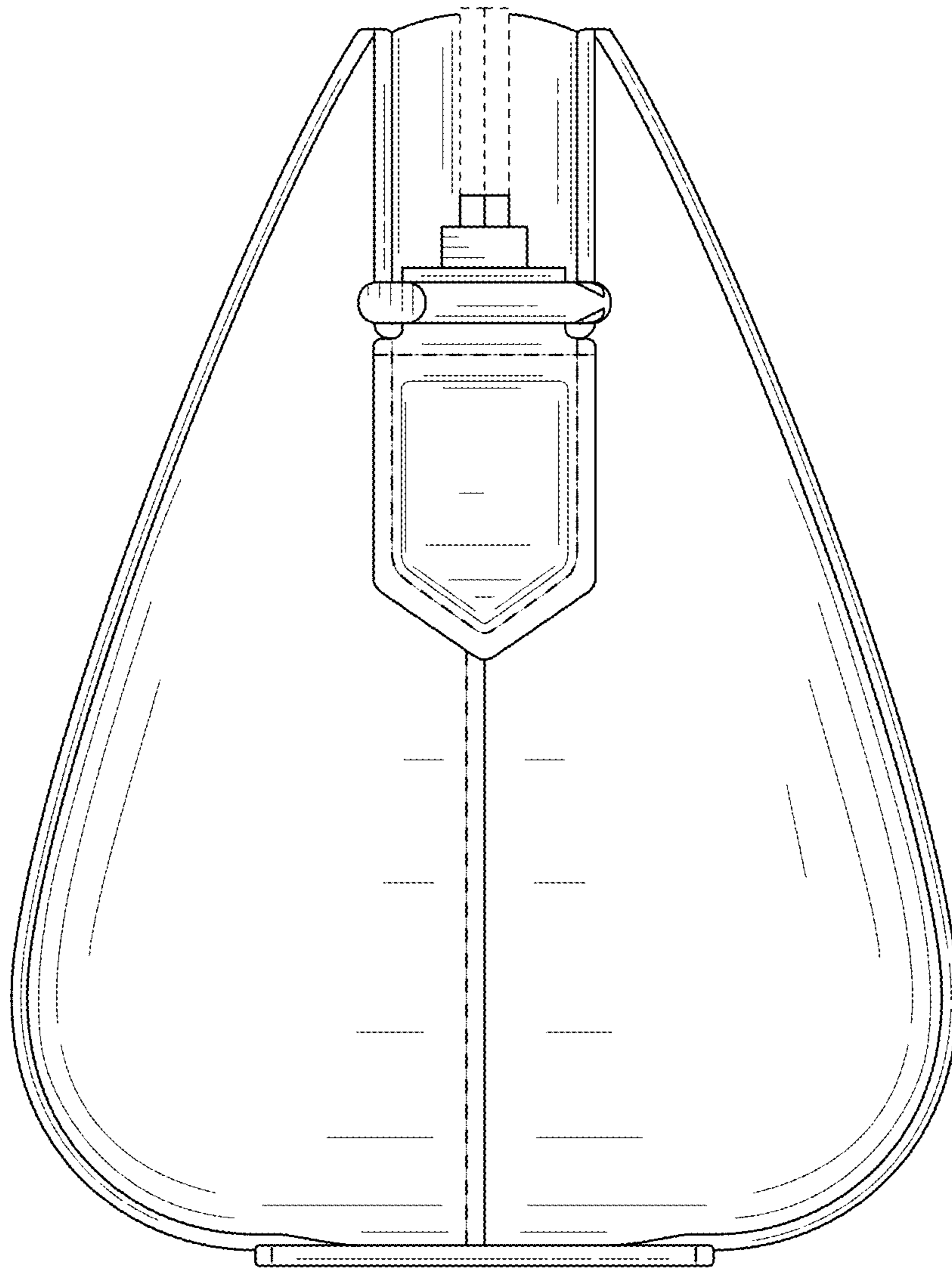


FIG. 5

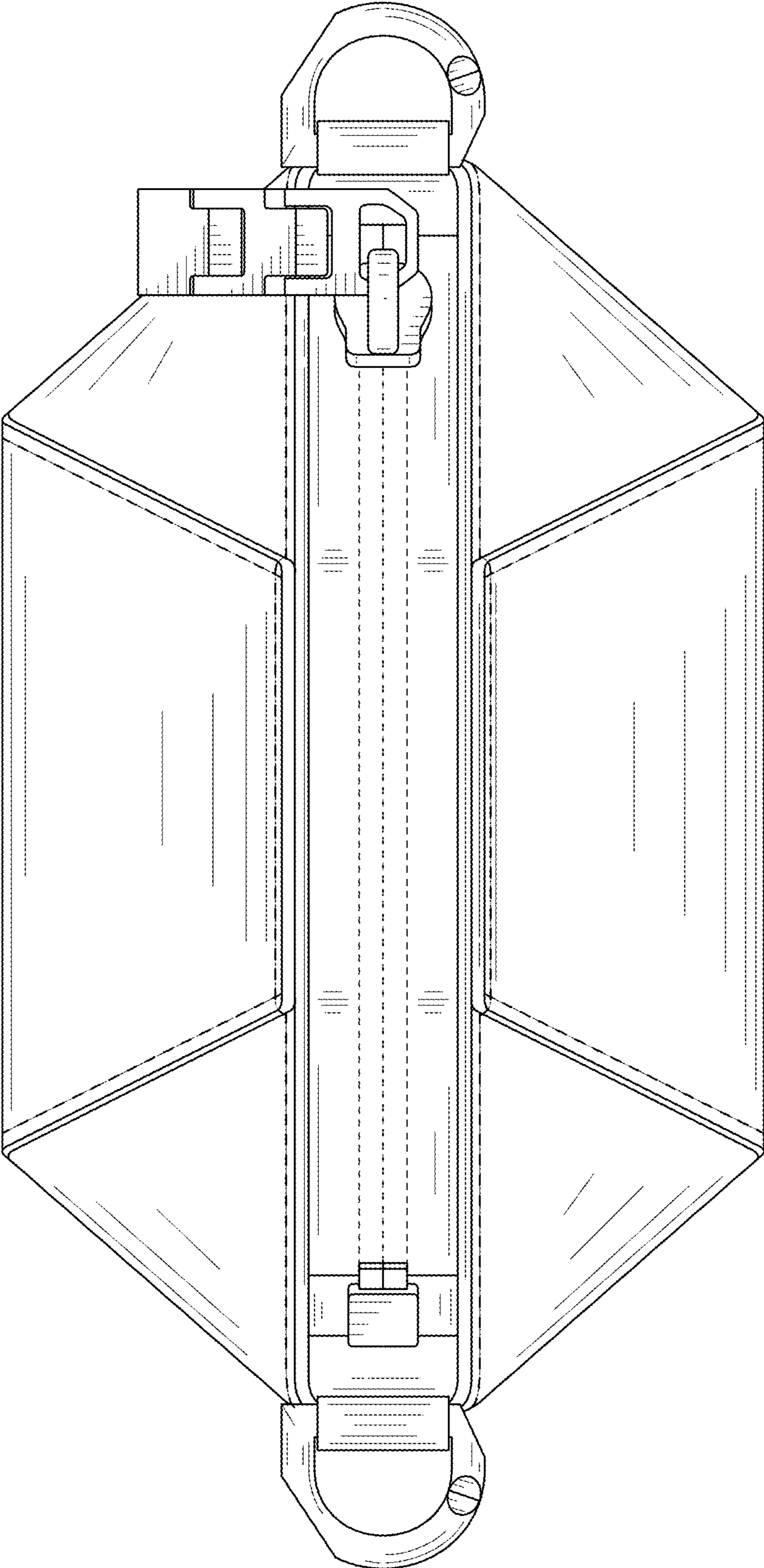


FIG. 6

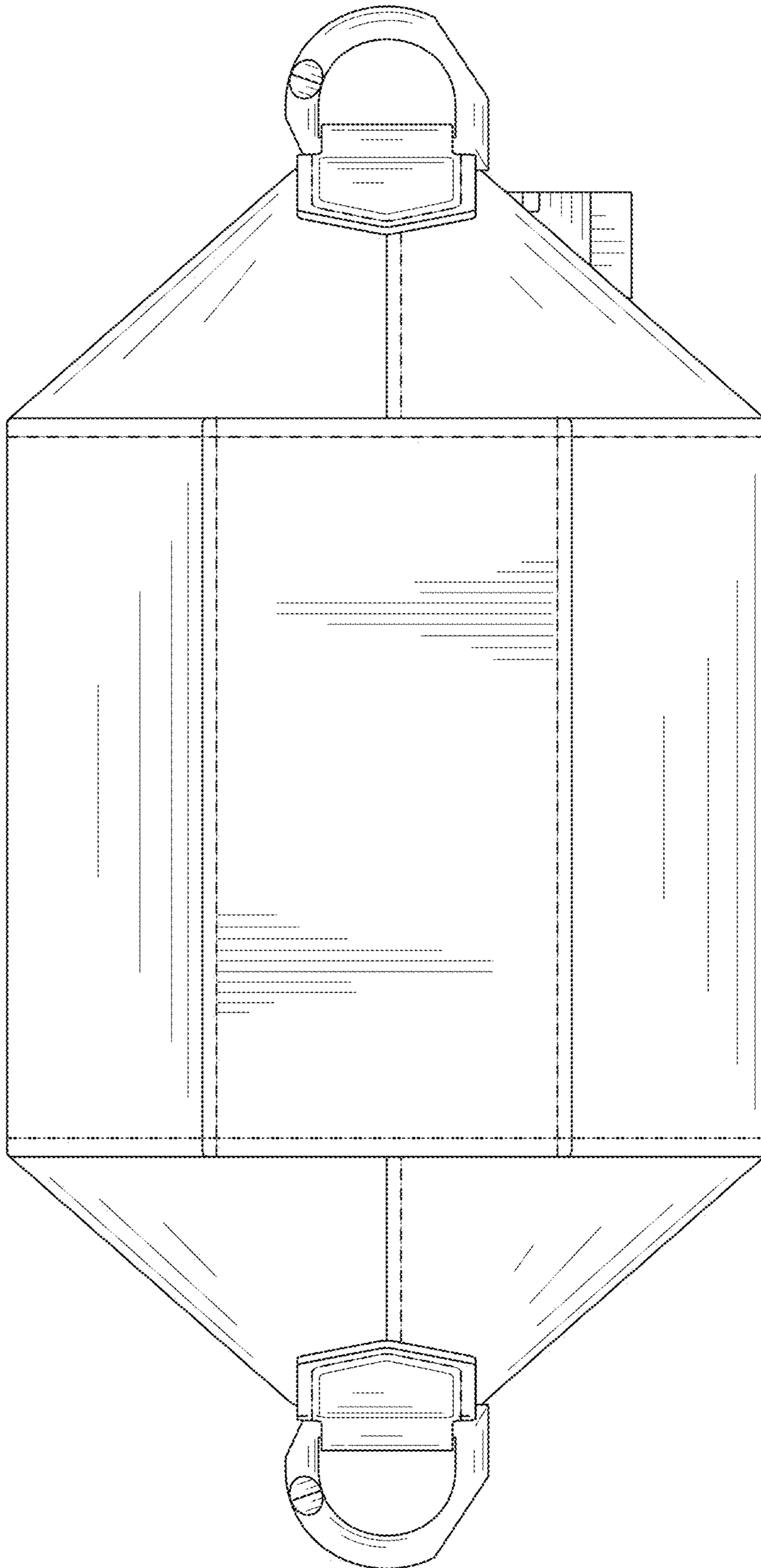


FIG. 7

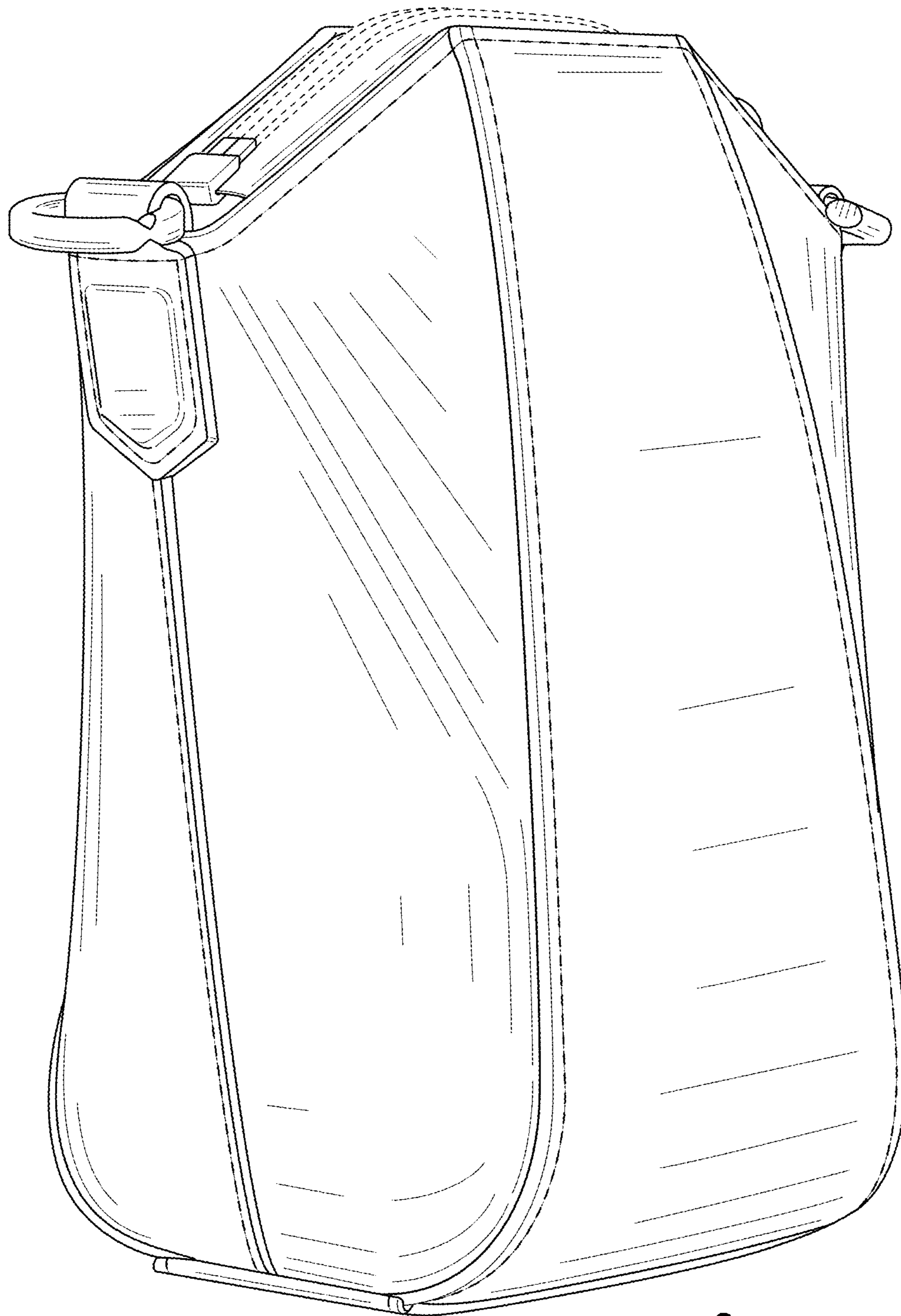


FIG. 8

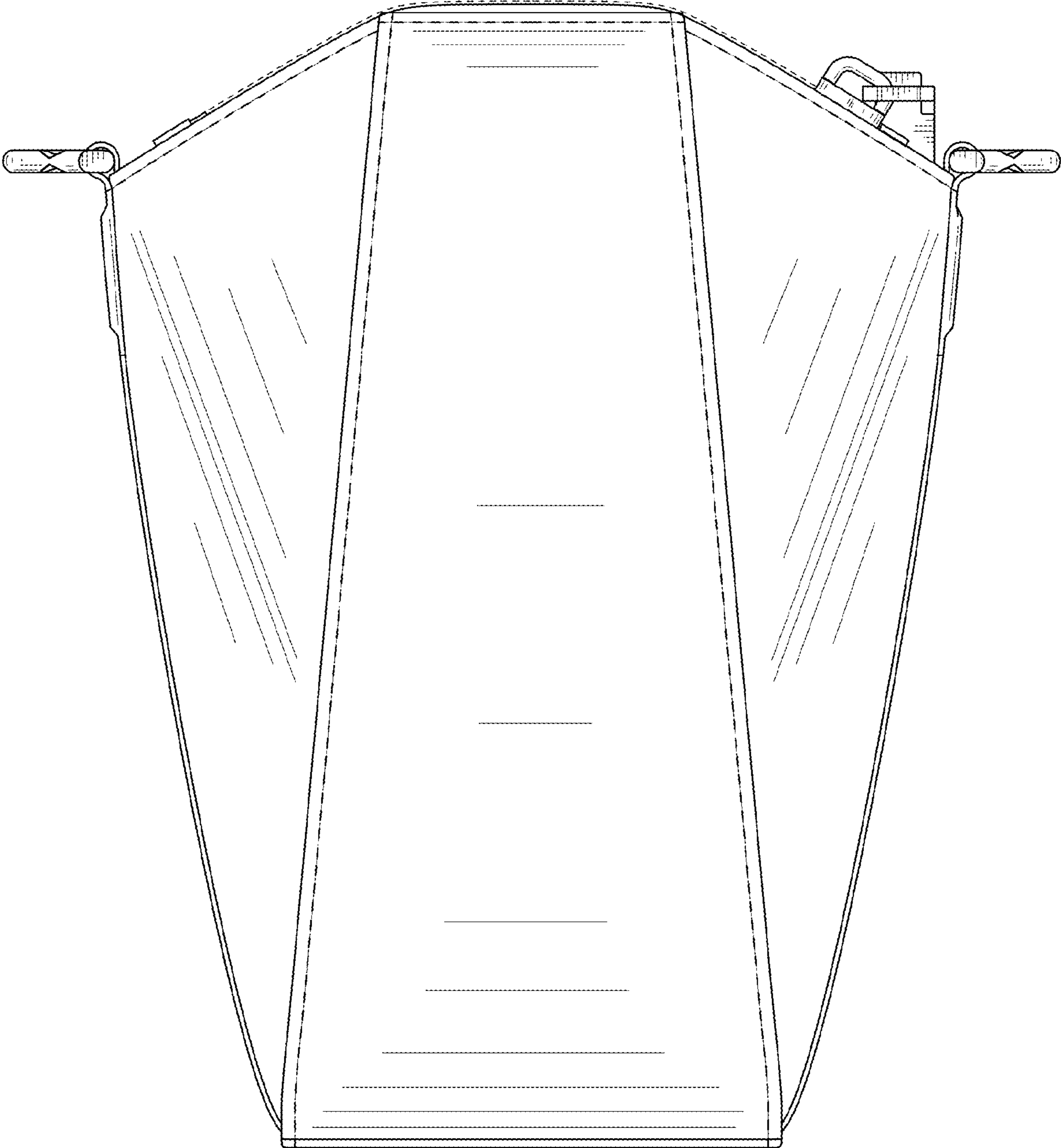


FIG. 9

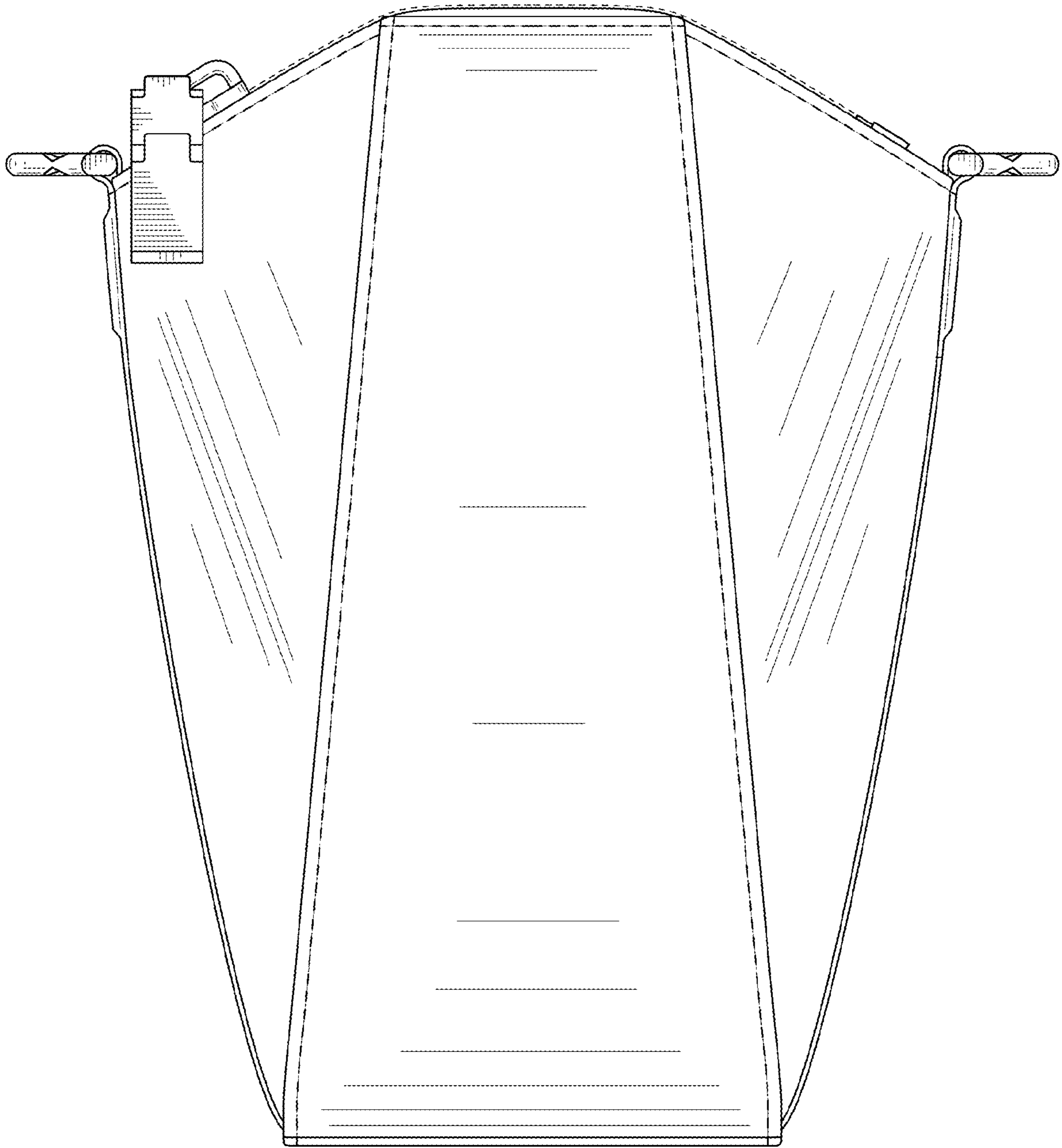


FIG. 10

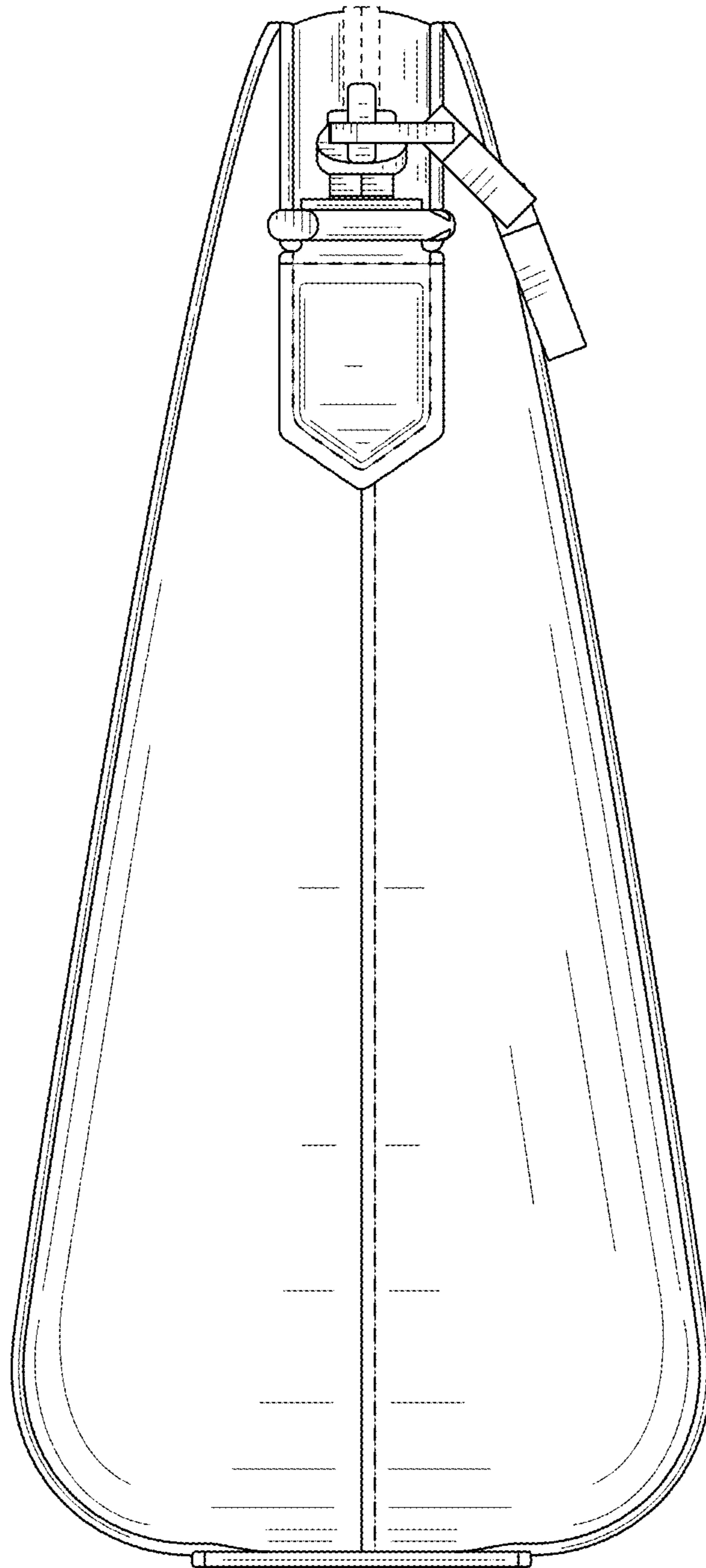


FIG. 11

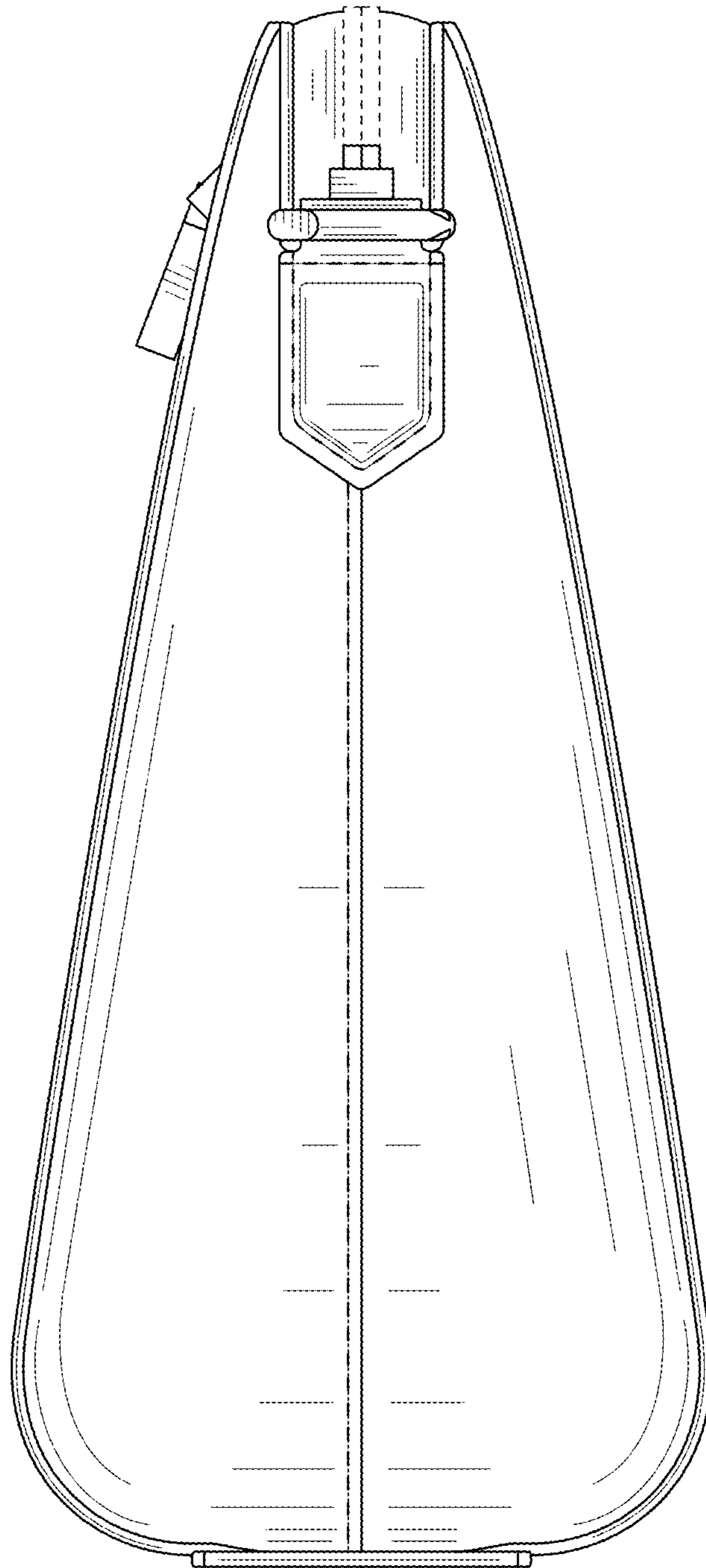


FIG. 12

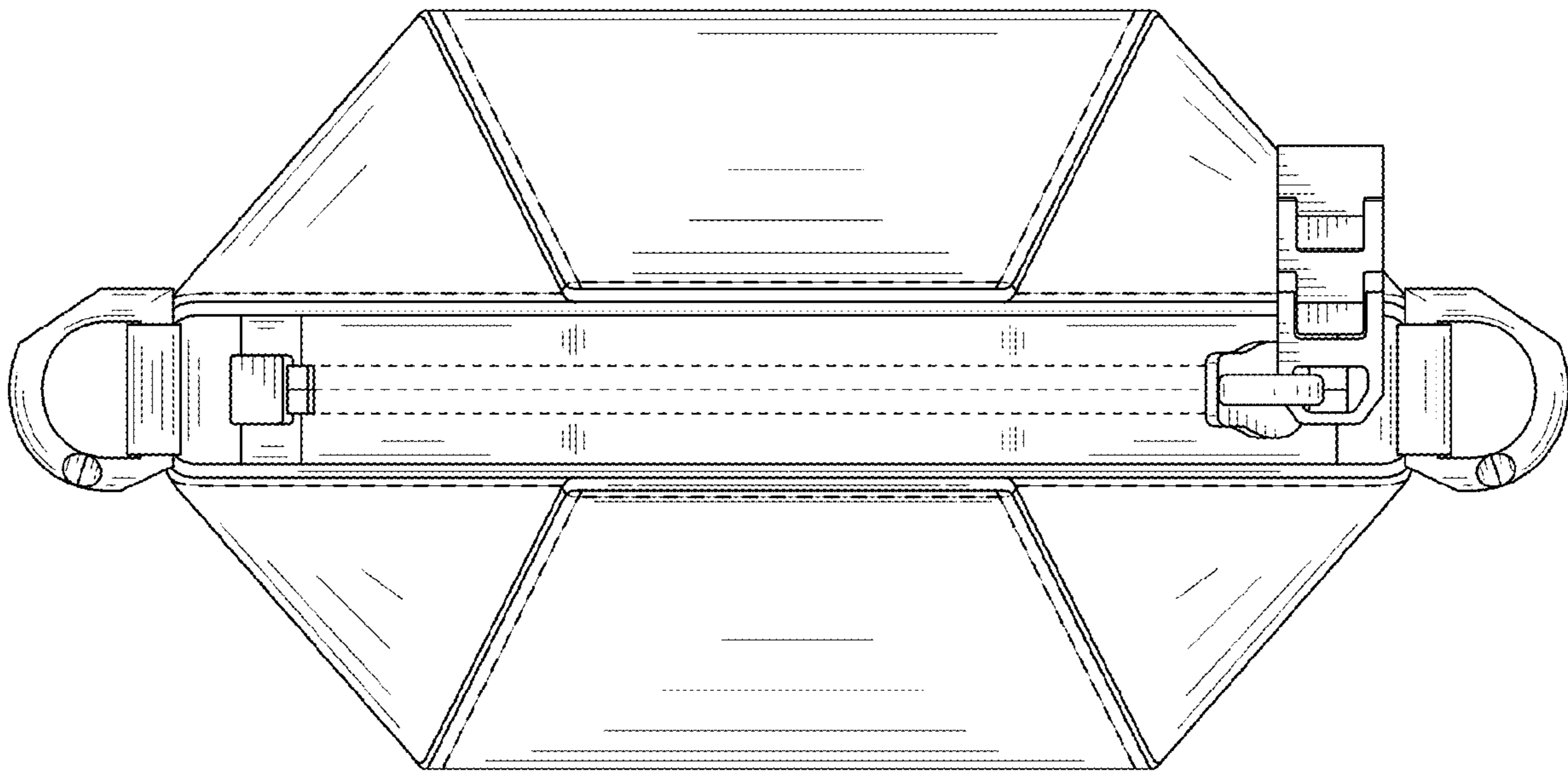


FIG. 13

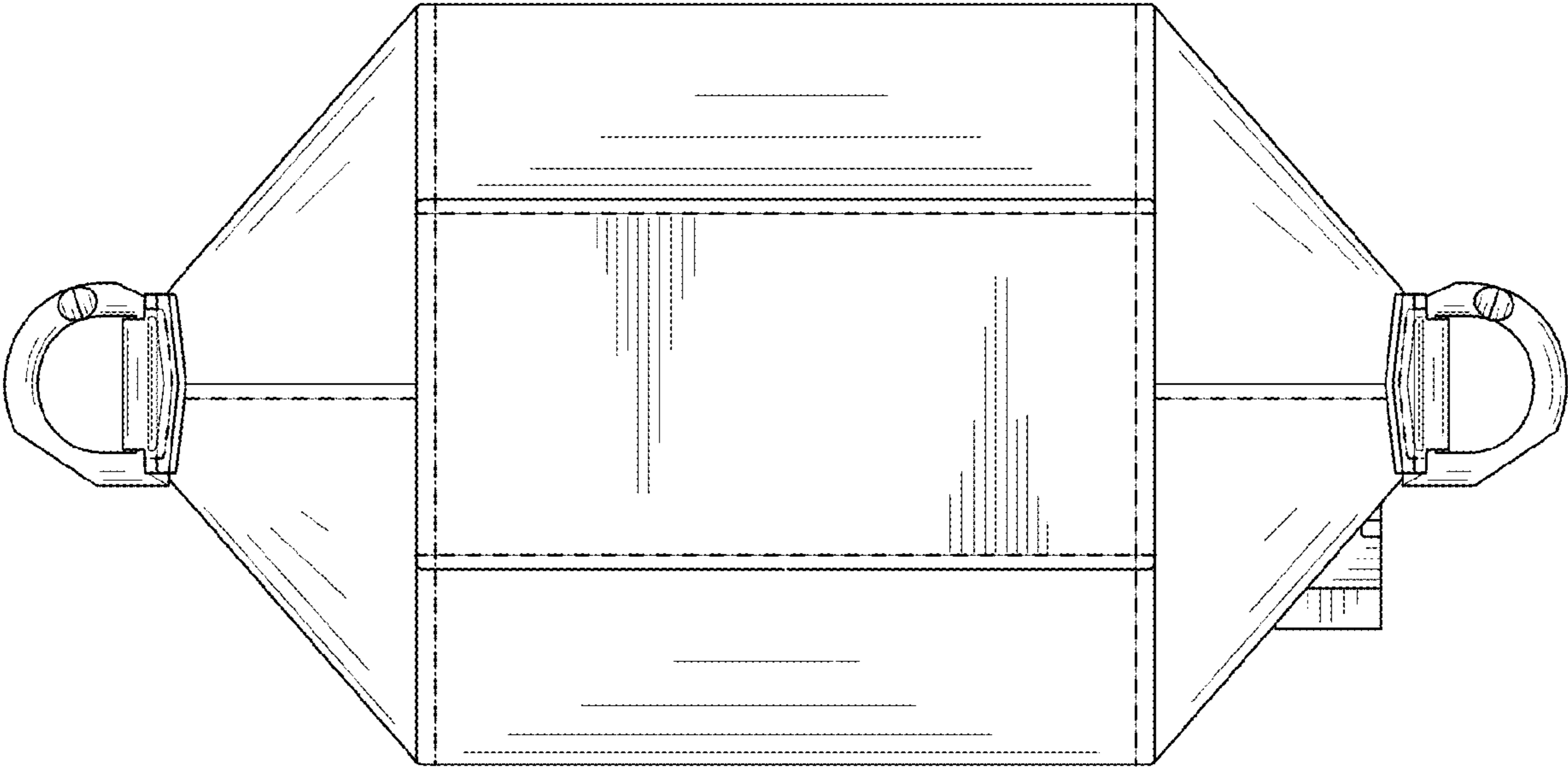


FIG. 14