



US00D987986S

(12) **United States Design Patent**  
**Gao**

(10) **Patent No.:** **US D987,986 S**  
(45) **Date of Patent:** **\*\* Jun. 6, 2023**

(54) **BAG**

(71) Applicant: **Xingxiahui (Xiamen) Electronic Commerce Co., Ltd.**, Xiamen (CN)

(72) Inventor: **Zhihui Gao**, Xiamen (CN)

(\*\*) Term: **15 Years**

(21) Appl. No.: **29/883,926**

(22) Filed: **Feb. 5, 2023**

(51) **LOC (14) Cl.** ..... **03-01**

(52) **U.S. Cl.**  
USPC ..... **D3/217**

(58) **Field of Classification Search**  
USPC ..... D3/216–218, 324, 326, 242–243,  
D3/232–233  
CPC . A47B 23/00; A45F 3/047; A45F 4/02; A45F  
3/02; A45C 9/00  
See application file for complete search history.

(56) **References Cited**

**U.S. PATENT DOCUMENTS**

D446,008 S *	8/2001	Schulze	.....	D3/217
D456,601 S *	5/2002	Kegels	.....	D3/217
7,384,098 B1 *	6/2008	Allwin	.....	B60N 2/2881 297/219.12
D674,183 S	1/2013	Iacchetti		
D681,324 S *	5/2013	Mohr	.....	D3/217
D759,370 S	6/2016	Godzich et al.		
D787,816 S *	5/2017	Slimane	.....	D3/217
D796,187 S *	9/2017	Bogue	.....	D3/217
D819,959 S	6/2018	Choi		
D874,129 S *	2/2020	Goldstein	.....	D3/217
D889,824 S	7/2020	Hanley		
D896,505 S *	9/2020	Yuan	.....	D3/217

(Continued)

**FOREIGN PATENT DOCUMENTS**

KR	301015510.0000	*	7/2019
KR	301191903.0000	*	11/2022

**OTHER PUBLICATIONS**

Recon Backpack, Anchor Express website 2023, site visited Mar. 17, 2023, [https://www.anchorexpress.com/Wild-River-RECON-Lighted-Compact-Tackle-Backpack-without-Trays--WN3503\\_p\\_78071.html](https://www.anchorexpress.com/Wild-River-RECON-Lighted-Compact-Tackle-Backpack-without-Trays--WN3503_p_78071.html).\*

*Primary Examiner* — John R Yeh

(74) *Attorney, Agent, or Firm* — Xiaofang Zhong

(57) **CLAIM**

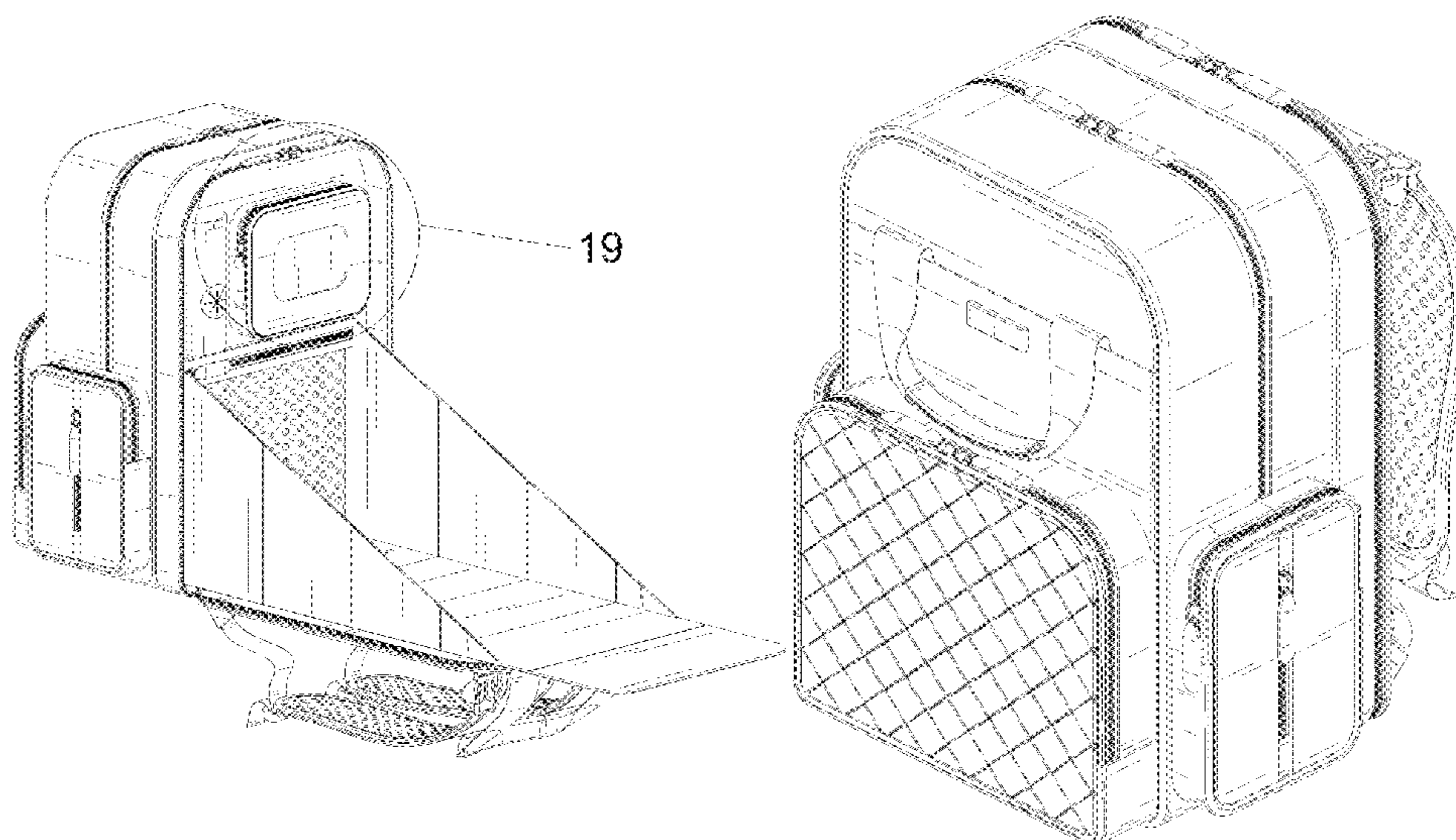
The ornamental design for a bag, as shown and described.

**DESCRIPTION**

FIG. 1 is a front, right, and top perspective view showing my new design for a bag in an opened configuration; FIG. 2 is a front, left, and top perspective view thereof; FIG. 3 is a front elevation view thereof; FIG. 4 is a rear elevation view thereof; FIG. 5 is a right elevation view thereof; FIG. 6 is a left elevation view thereof; FIG. 7 is a top plan view thereof; FIG. 8 is a bottom plan view thereof; FIG. 9 is a front, right, and top perspective showing my new design for a bag in closed configuration; FIG. 10 is a front, left, and top perspective view thereof; FIG. 11 is a front elevation view thereof; FIG. 12 is a rear elevation view thereof; FIG. 13 is a right elevation view thereof; FIG. 14 is a left elevation view thereof; FIG. 15 is a top plan view thereof; FIG. 16 is a bottom plan view thereof; FIG. 17 is an enlarged view of a portion labeled as 17 on FIG. 1; FIG. 18 is an enlarged view of a portion labeled as 18 on FIG. 1; and, FIG. 19 is an enlarged view of a portion labeled as 19 on FIG. 2.

The dot-dash broken lines illustrate the enlargement indications and form no part of the claimed design.

**1 Claim, 19 Drawing Sheets**



(56)

**References Cited**

U.S. PATENT DOCUMENTS

D909,050 S \* 2/2021 Bloom ..... D3/216  
D911,792 S 3/2021 Candela et al.  
D959,012 S 7/2022 Ou Yang  
D961,913 S \* 8/2022 Rogers ..... D3/217  
D969,478 S \* 11/2022 Zhao ..... D3/216  
D971,592 S \* 12/2022 Wang ..... D3/217  
2004/0094583 A1 \* 5/2004 Bernbaum ..... A45F 3/047  
224/153  
2004/0245301 A1 \* 12/2004 Truong ..... B60R 11/0229  
224/275  
2006/0272898 A1 \* 12/2006 Hovey ..... A63B 27/00  
182/135  
2013/0153613 A1 \* 6/2013 Ciccotosto ..... A47B 23/00  
224/153  
2014/0367439 A1 \* 12/2014 Valesko ..... A45F 3/08  
224/635  
2018/0078049 A1 \* 3/2018 Rhen ..... A45F 4/06  
2018/0206650 A1 \* 7/2018 Kong ..... A45F 3/02  
2022/0361440 A1 \* 11/2022 Gordon, III ..... A01K 1/029

\* cited by examiner

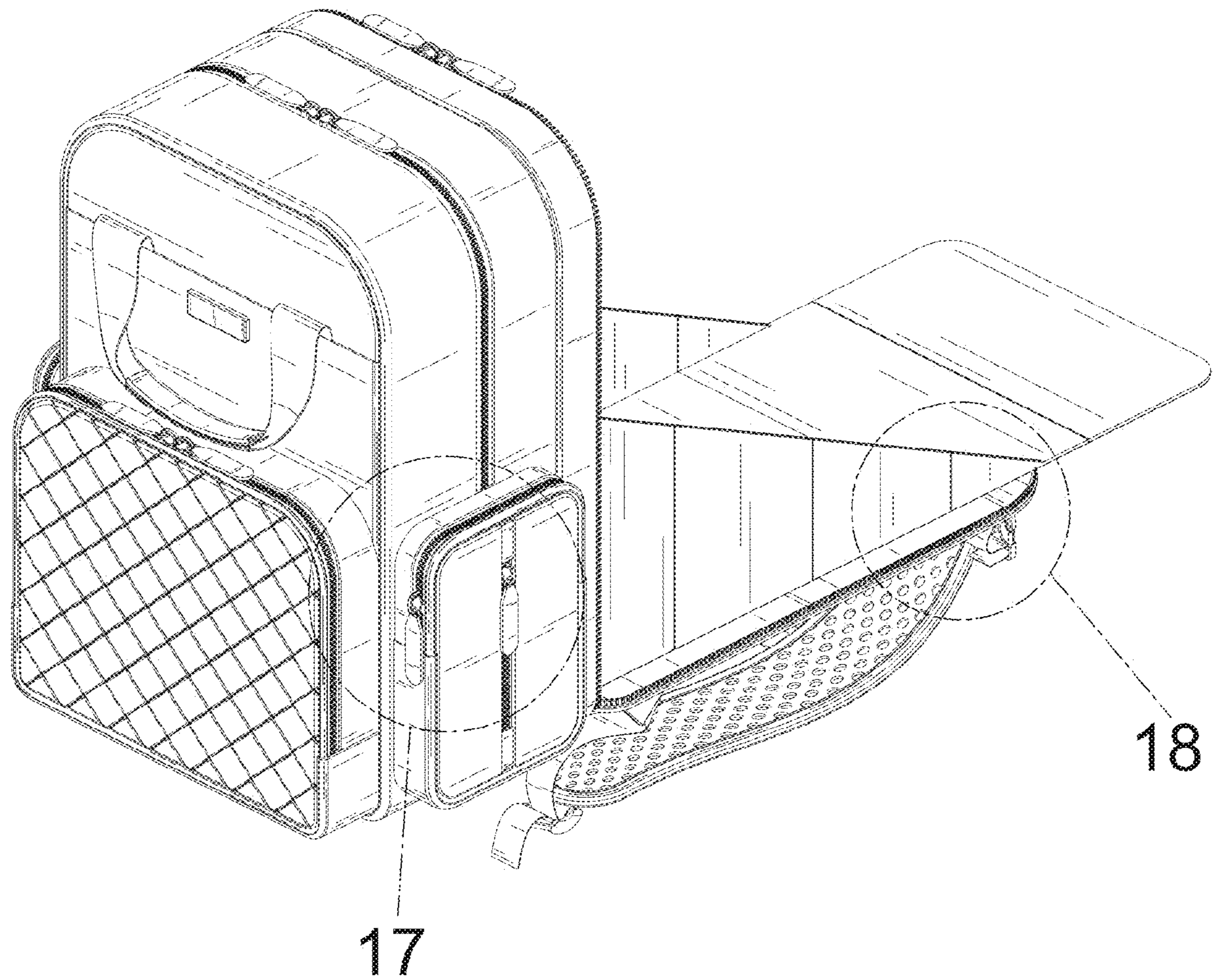


FIG. 1

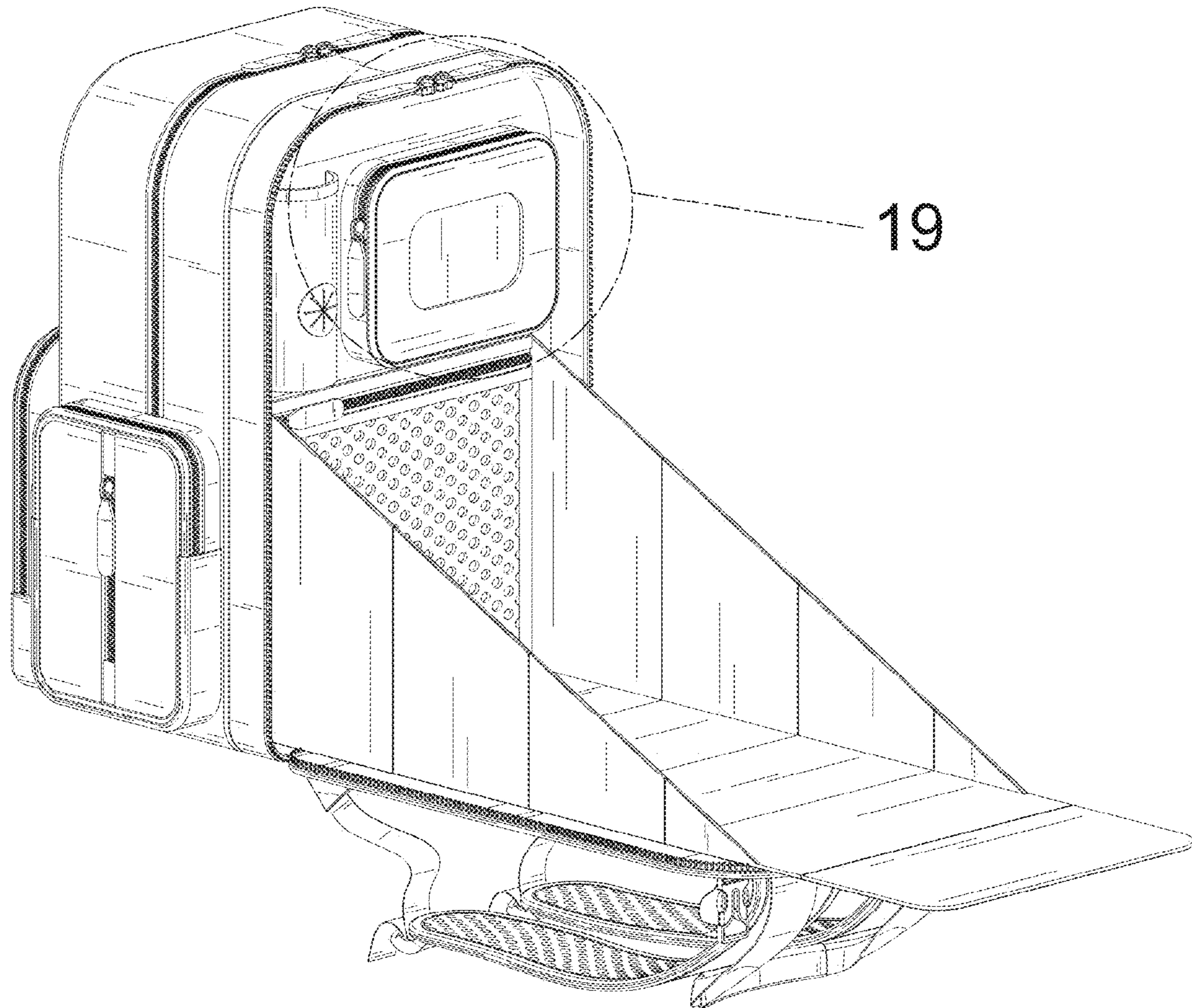


FIG. 2

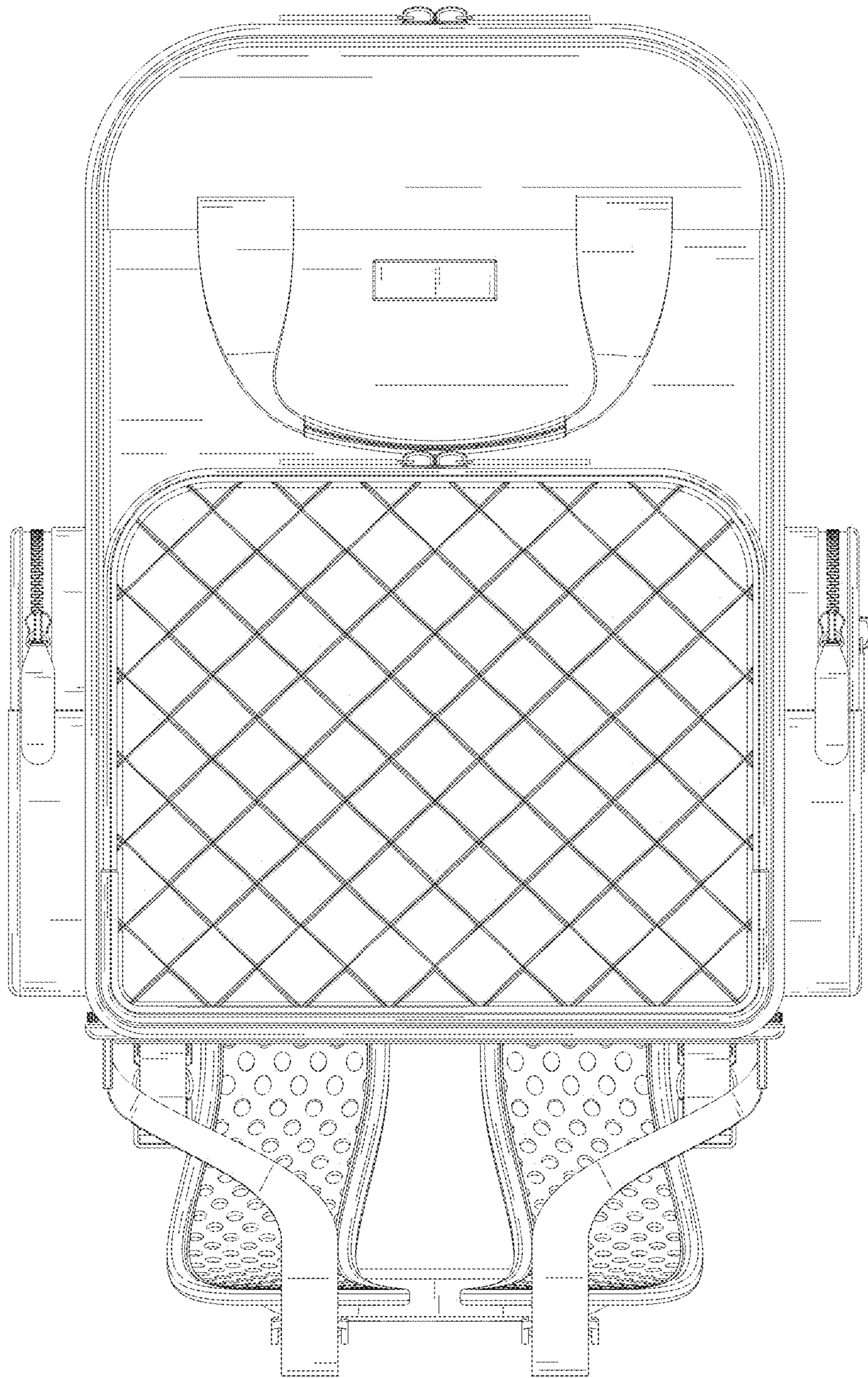


FIG. 3

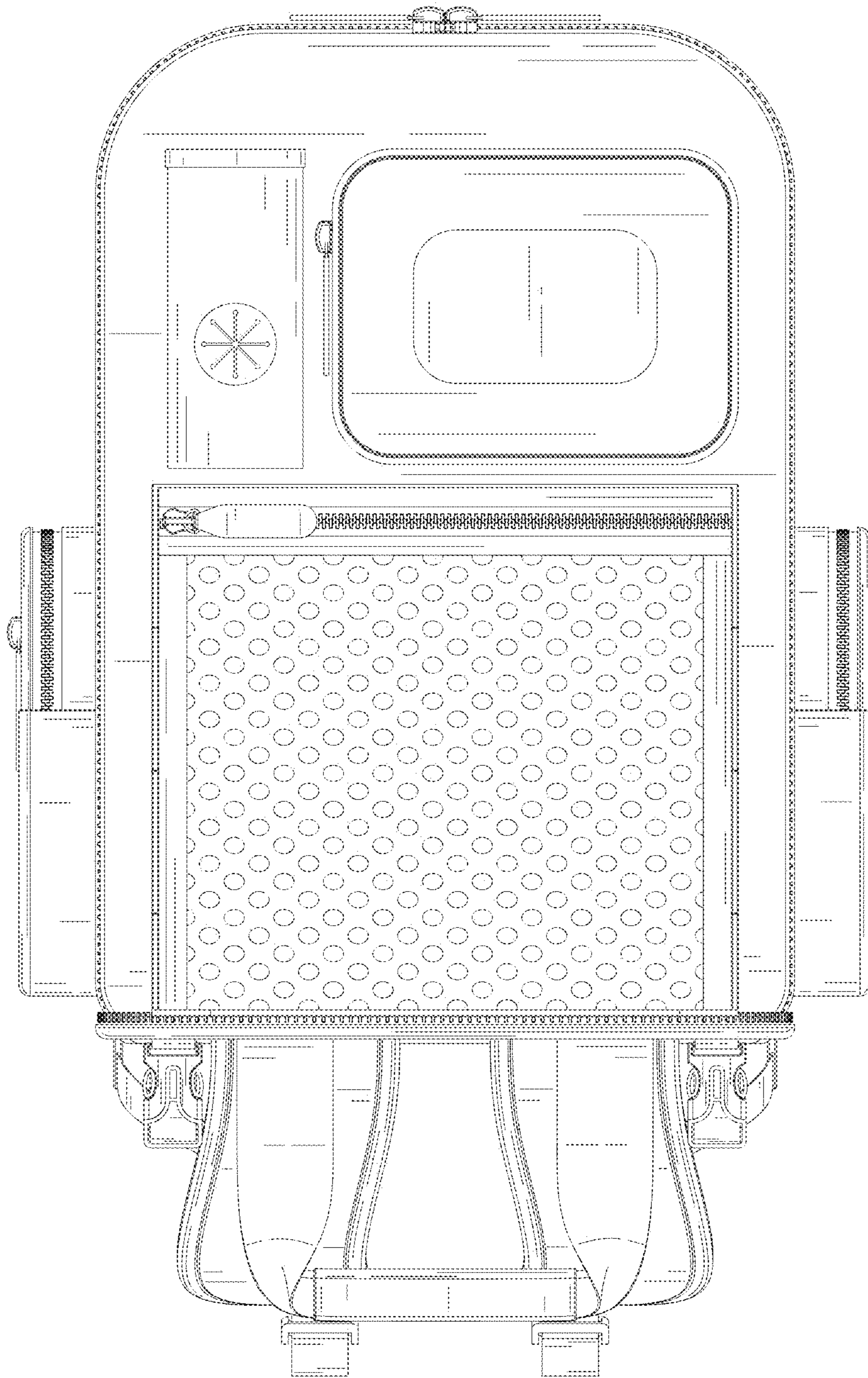


FIG. 4

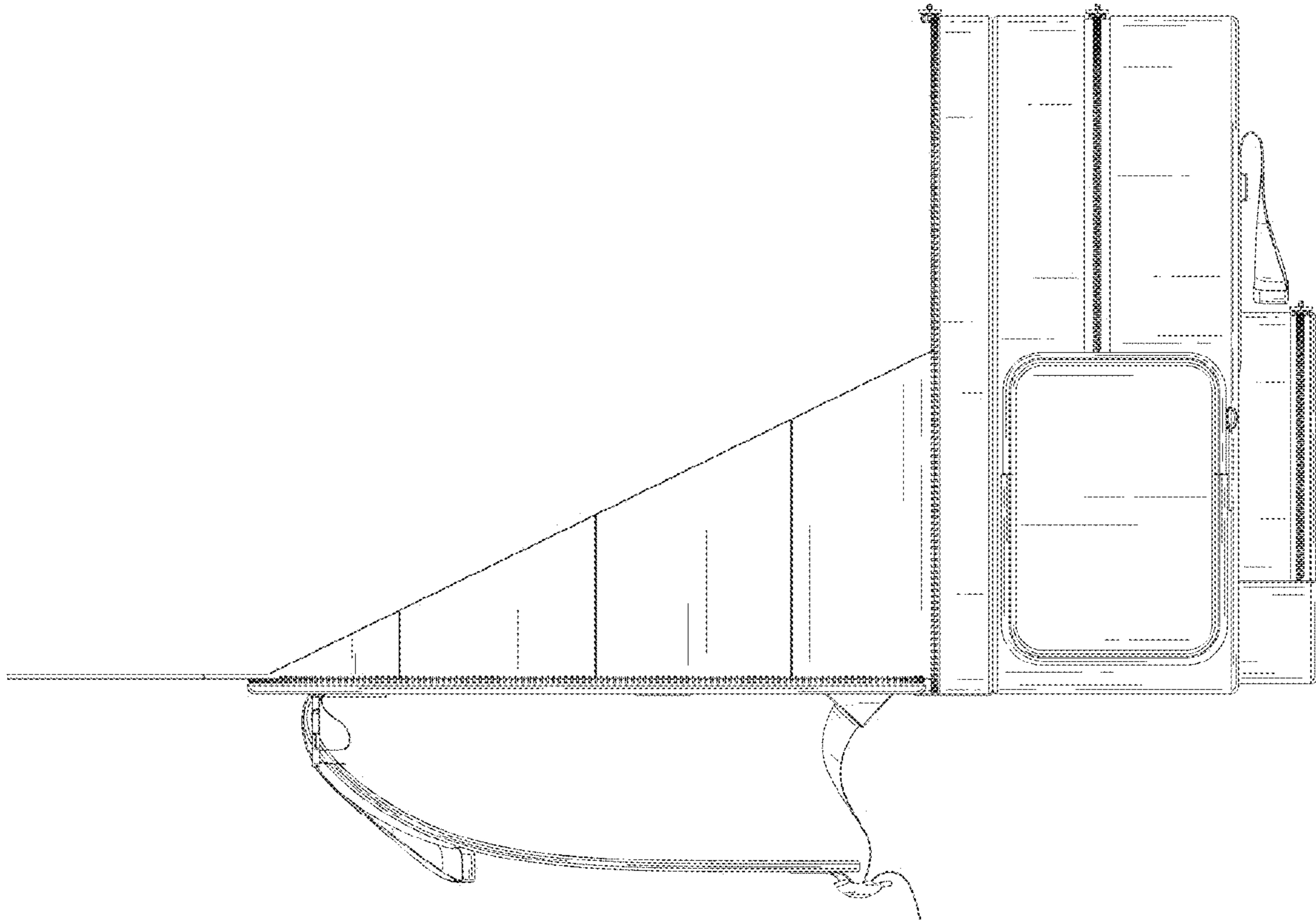


FIG. 5

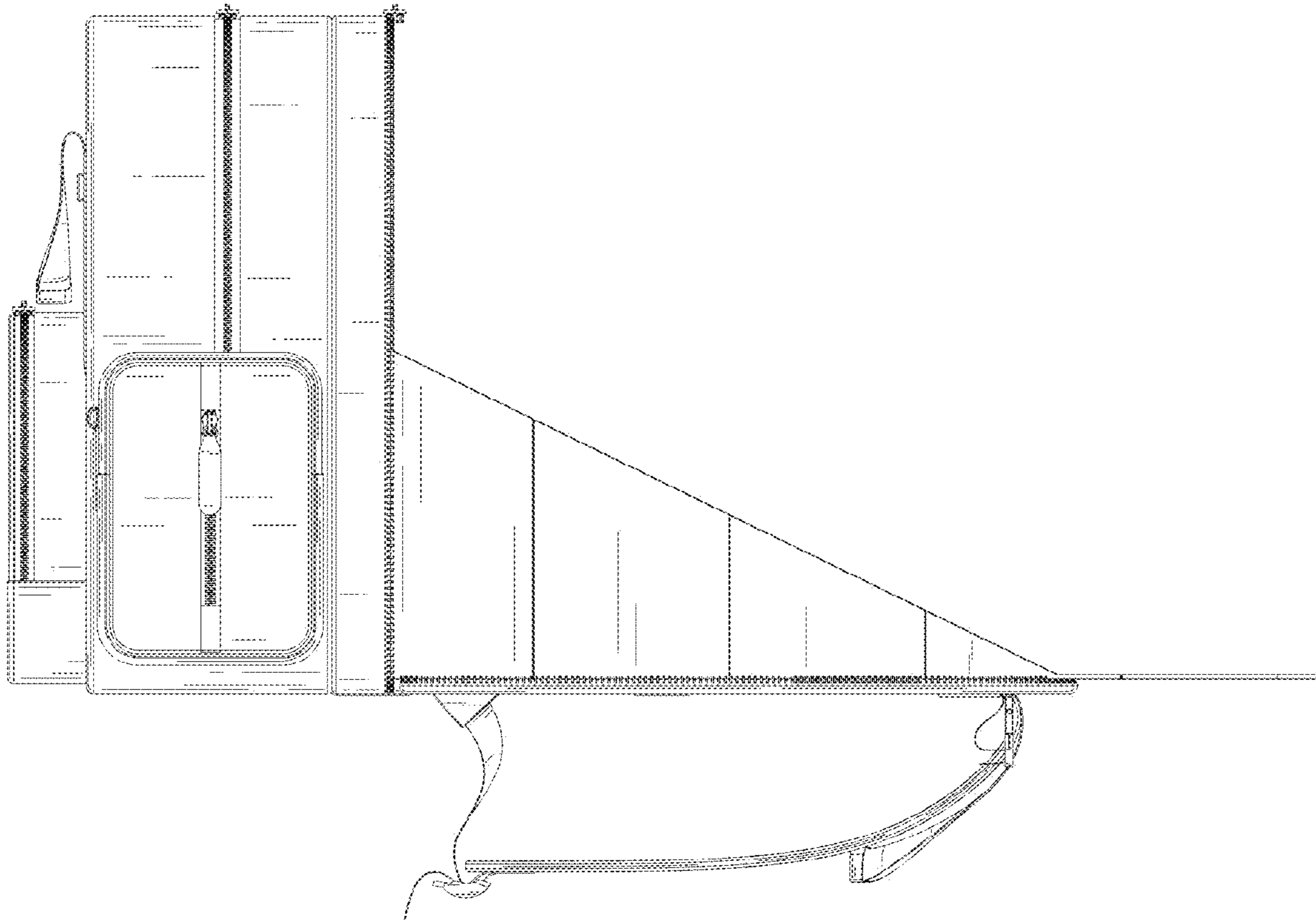


FIG. 6



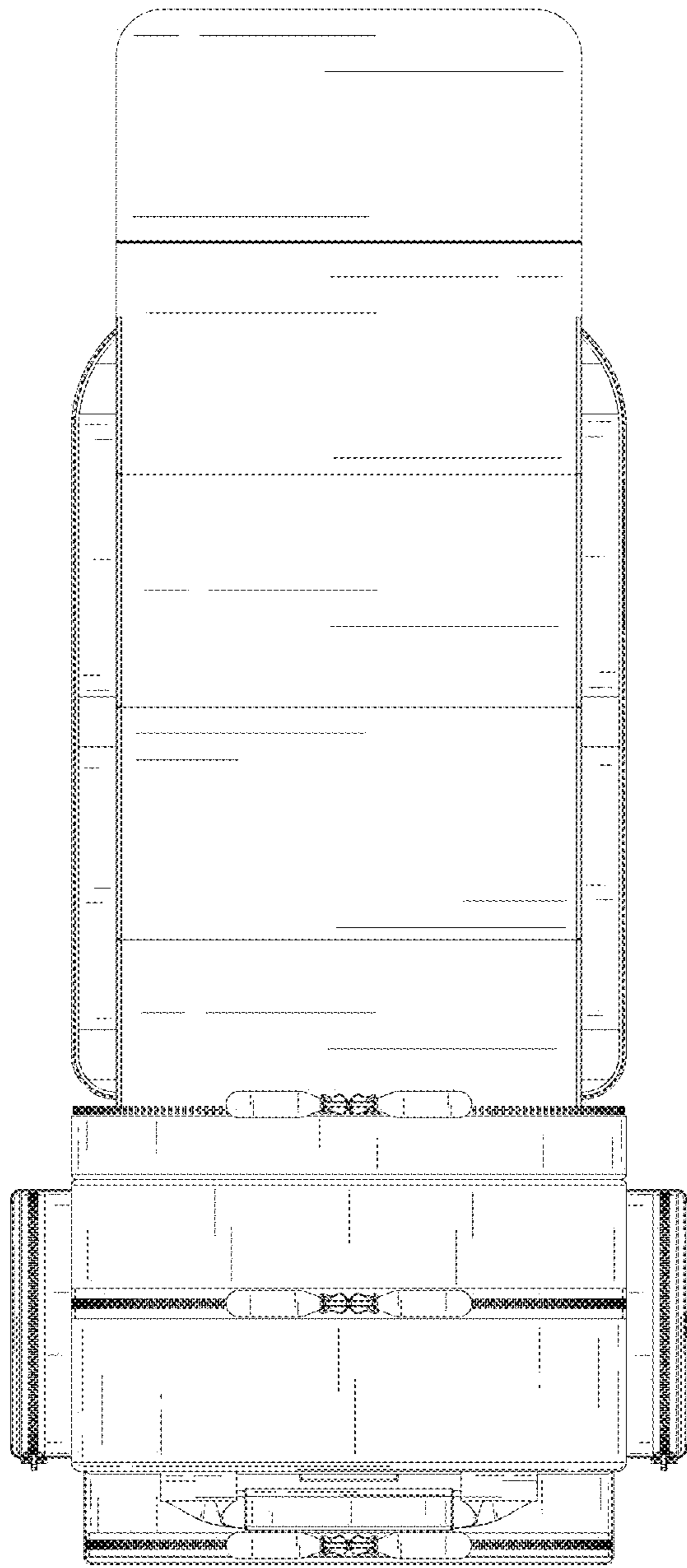


FIG. 7

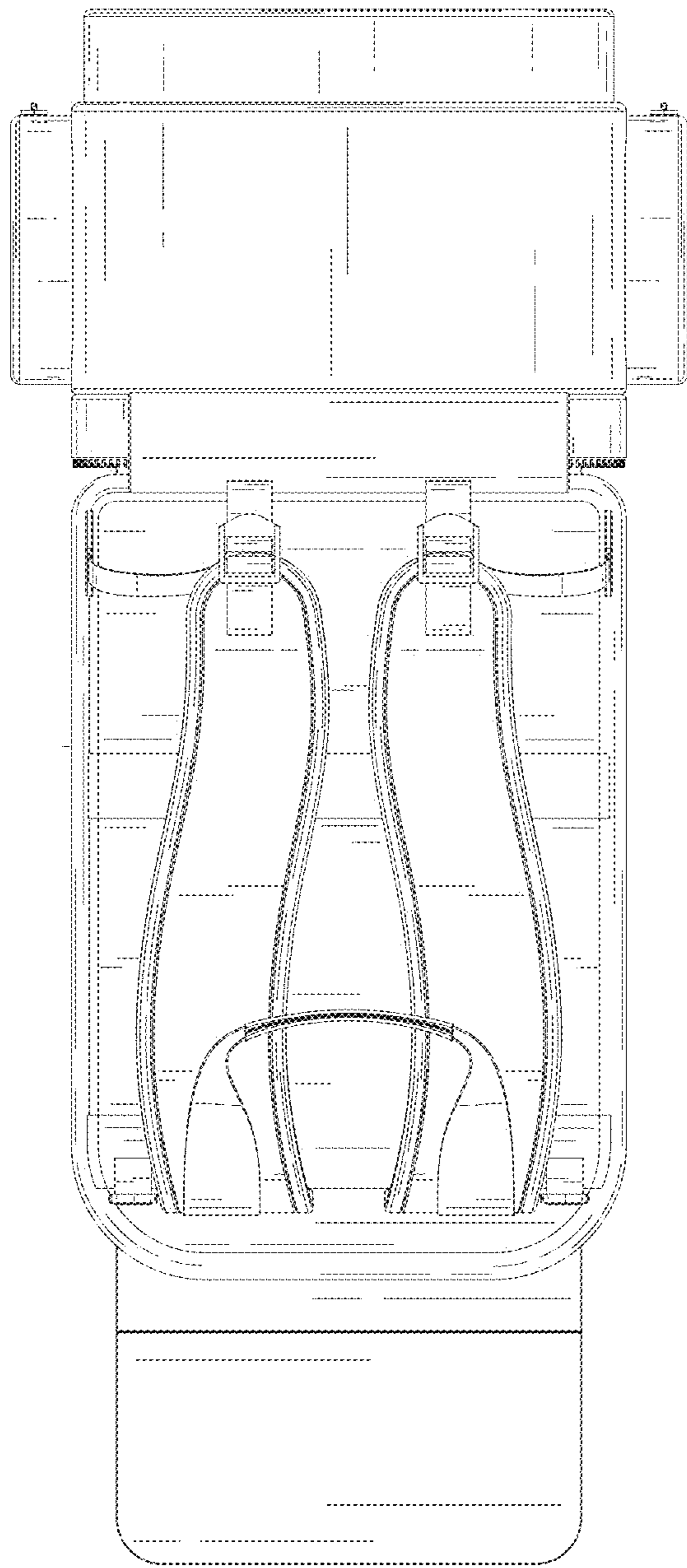


FIG. 8



FIG. 9

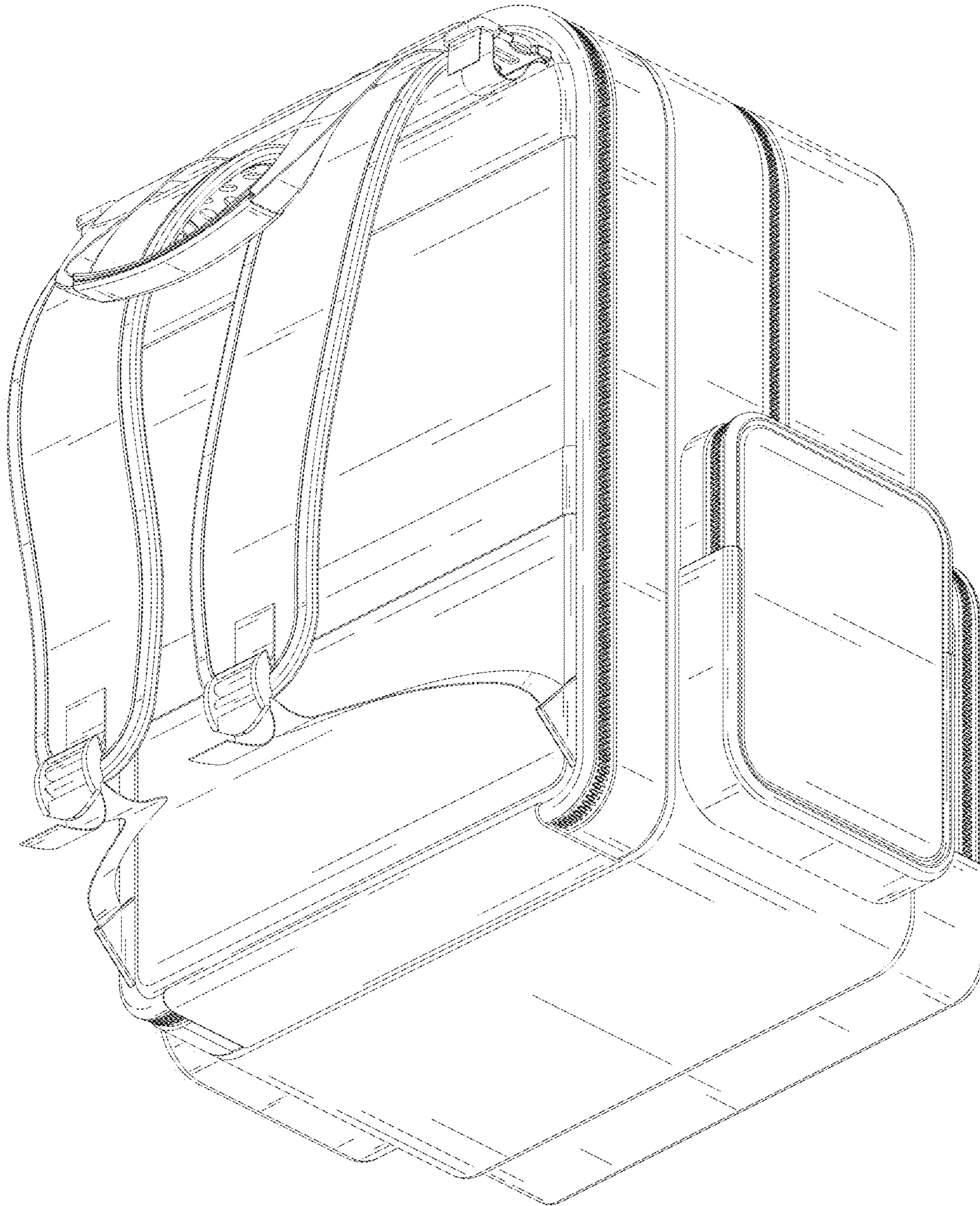


FIG. 10

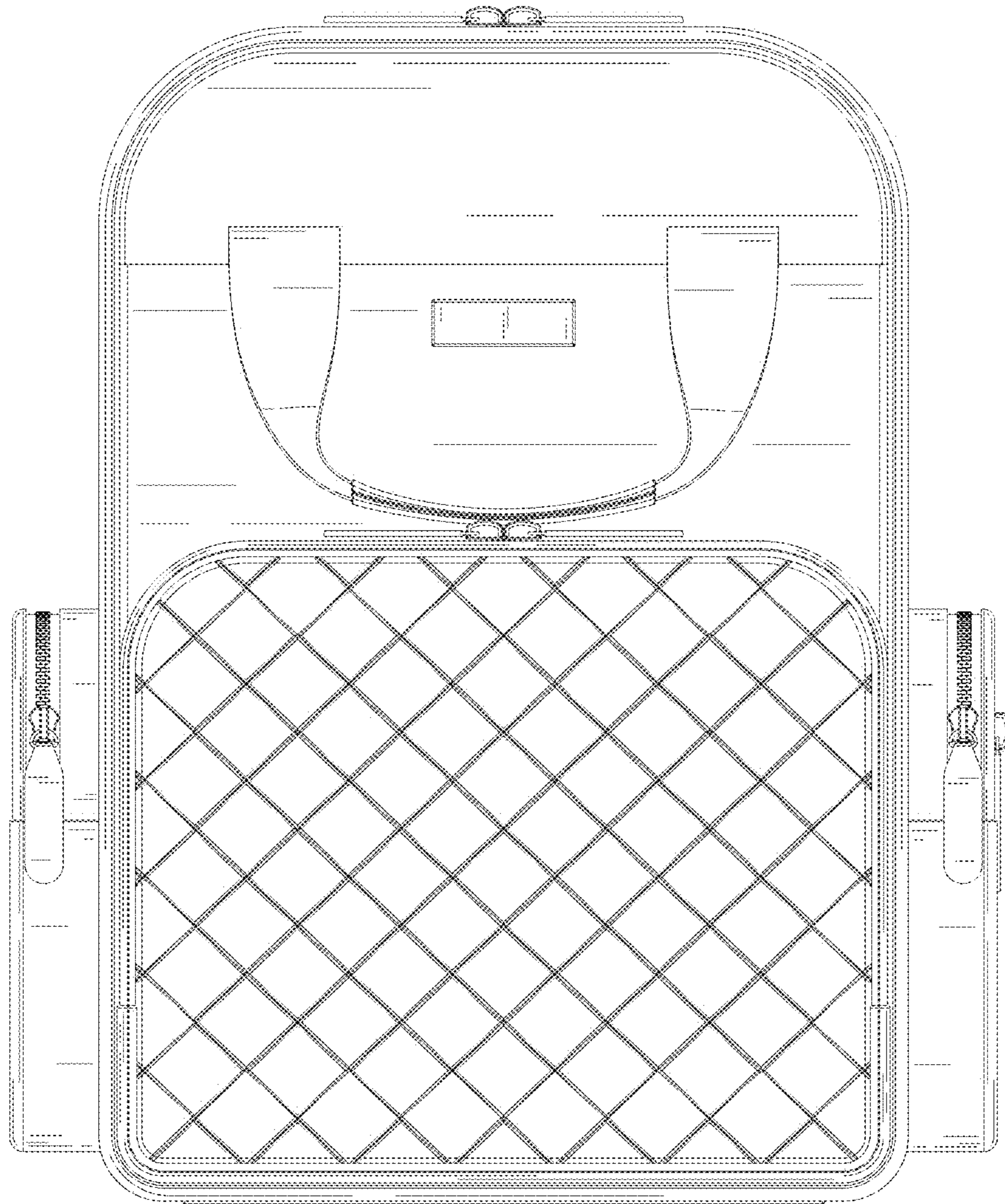


FIG. 11

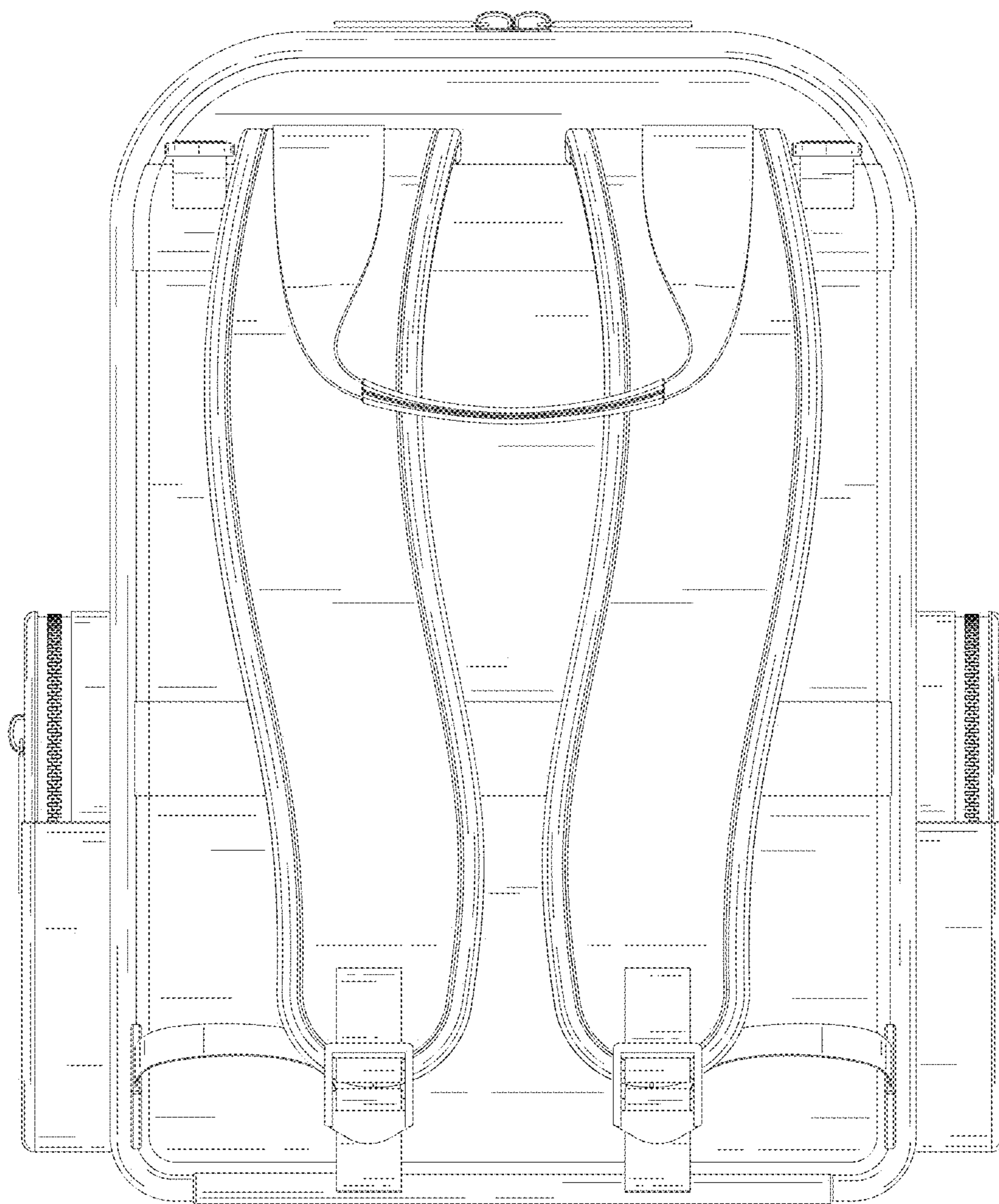


FIG. 12

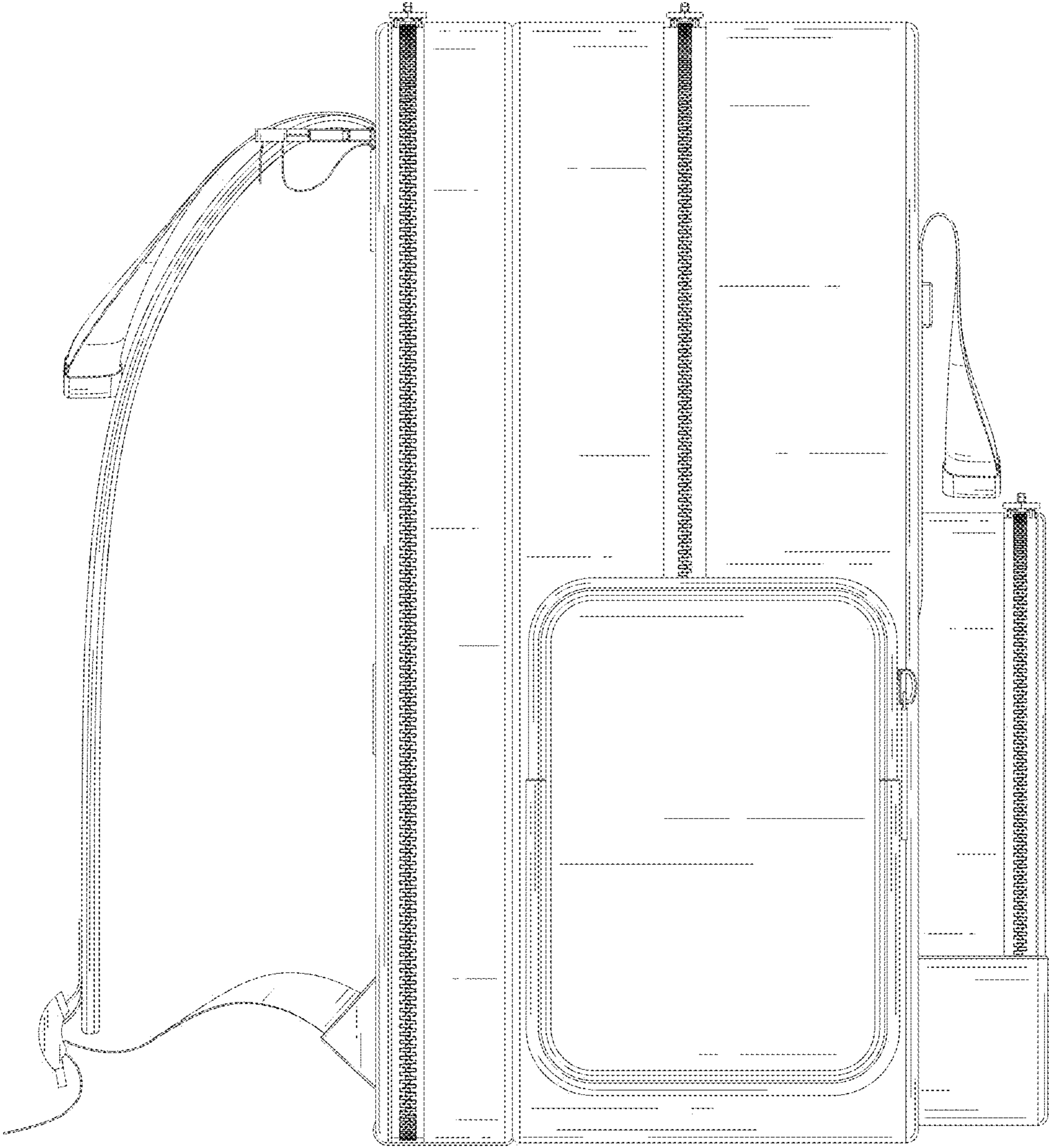


FIG. 13

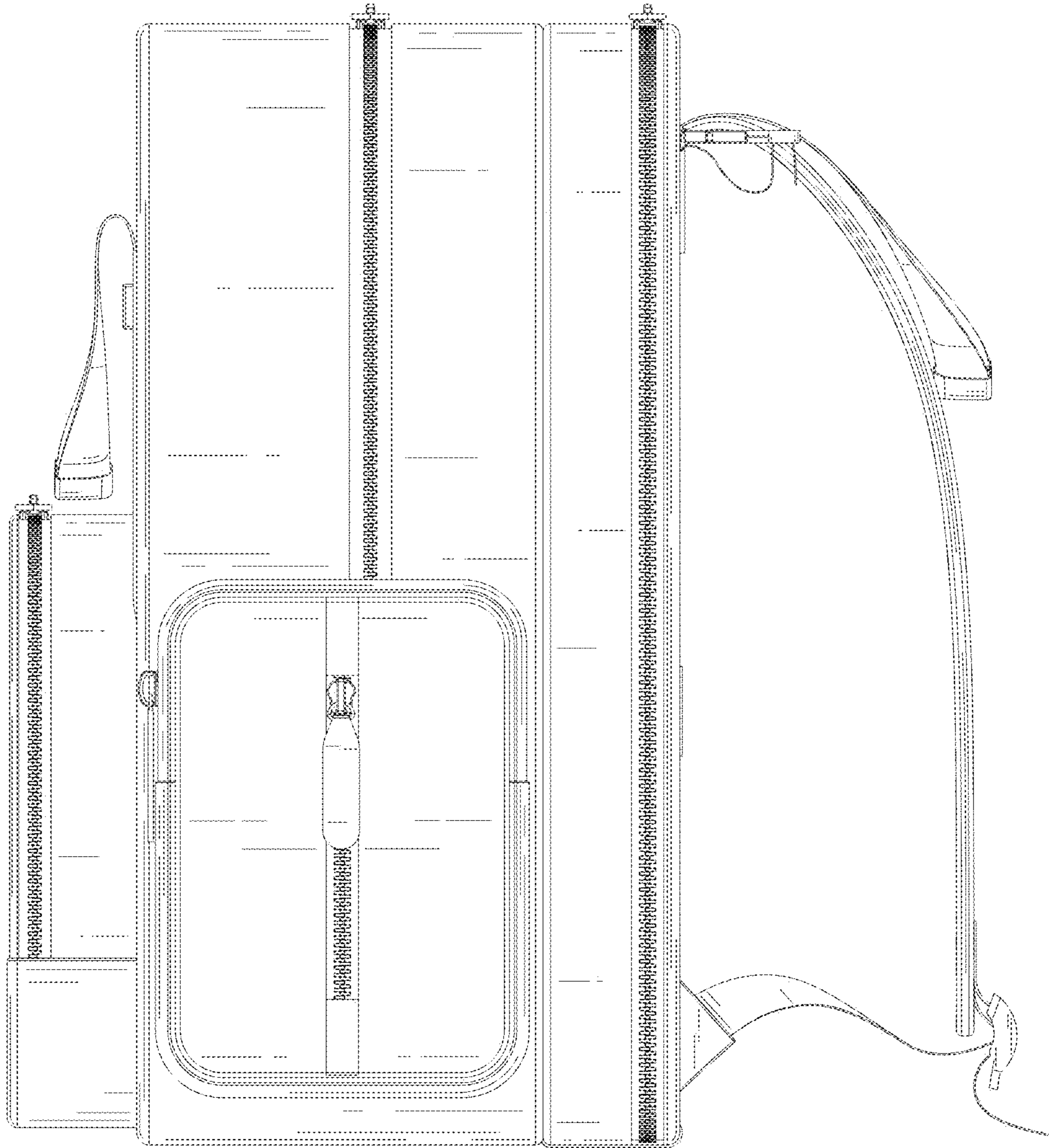


FIG. 14



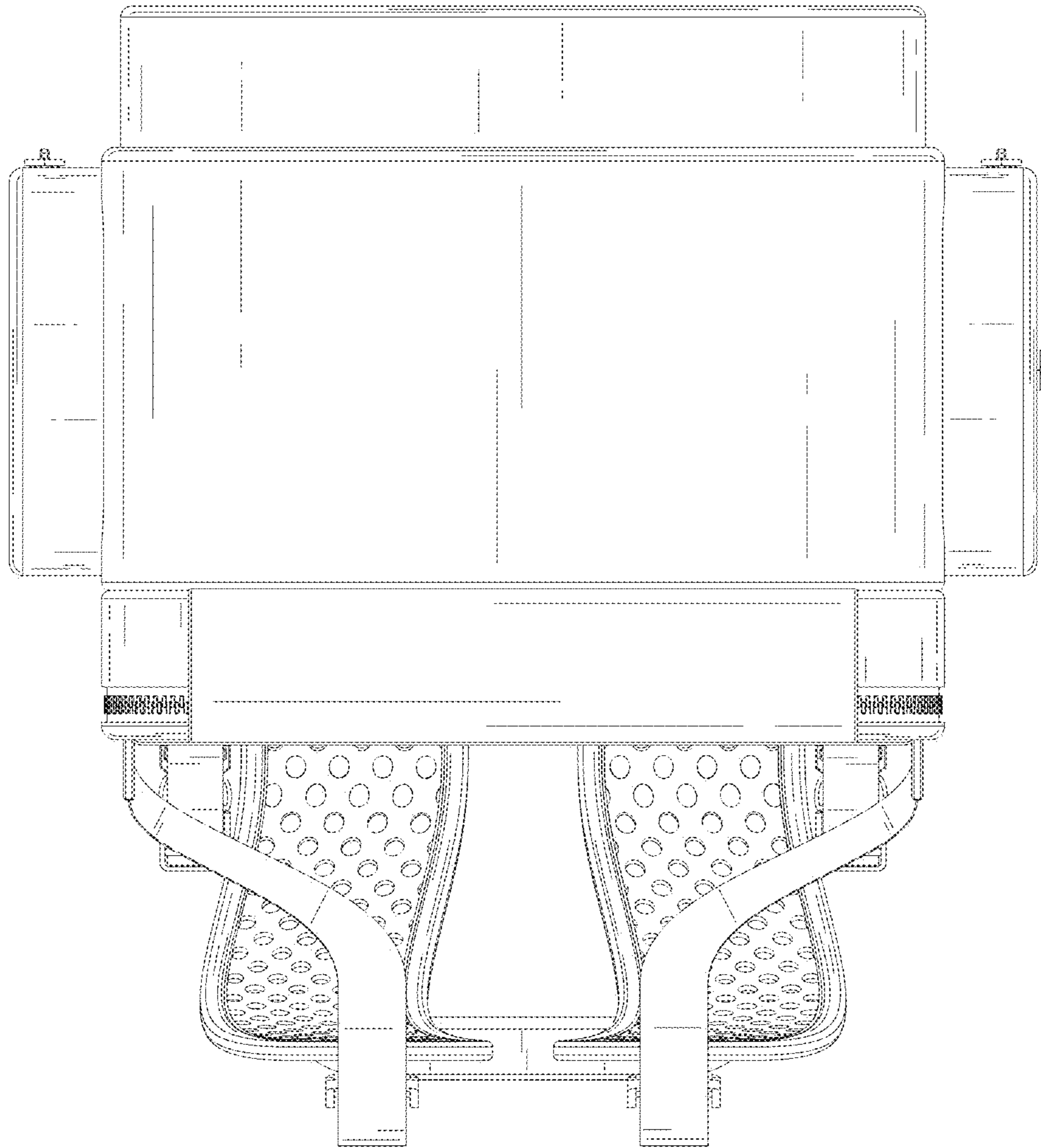


FIG. 15

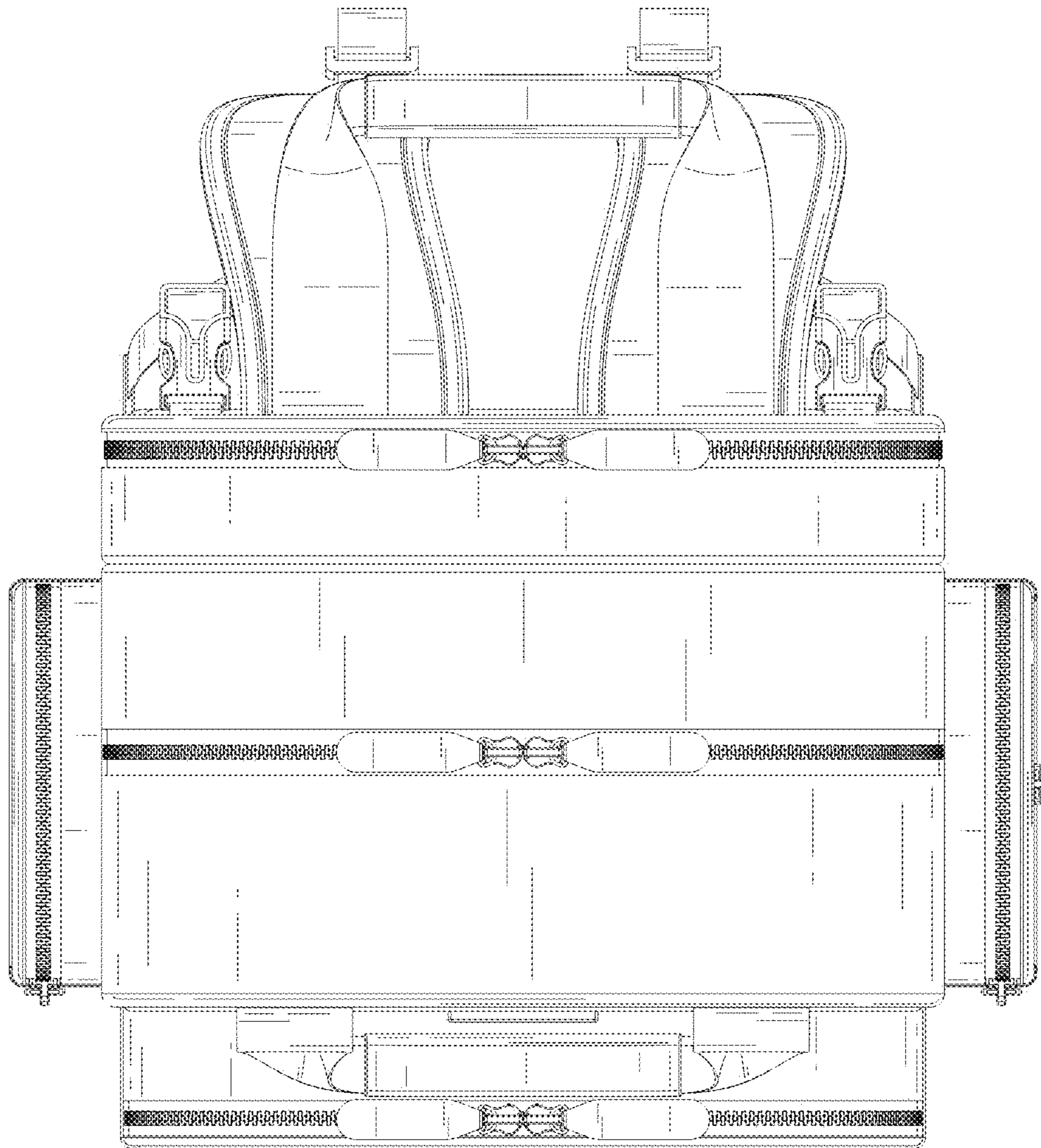


FIG. 16

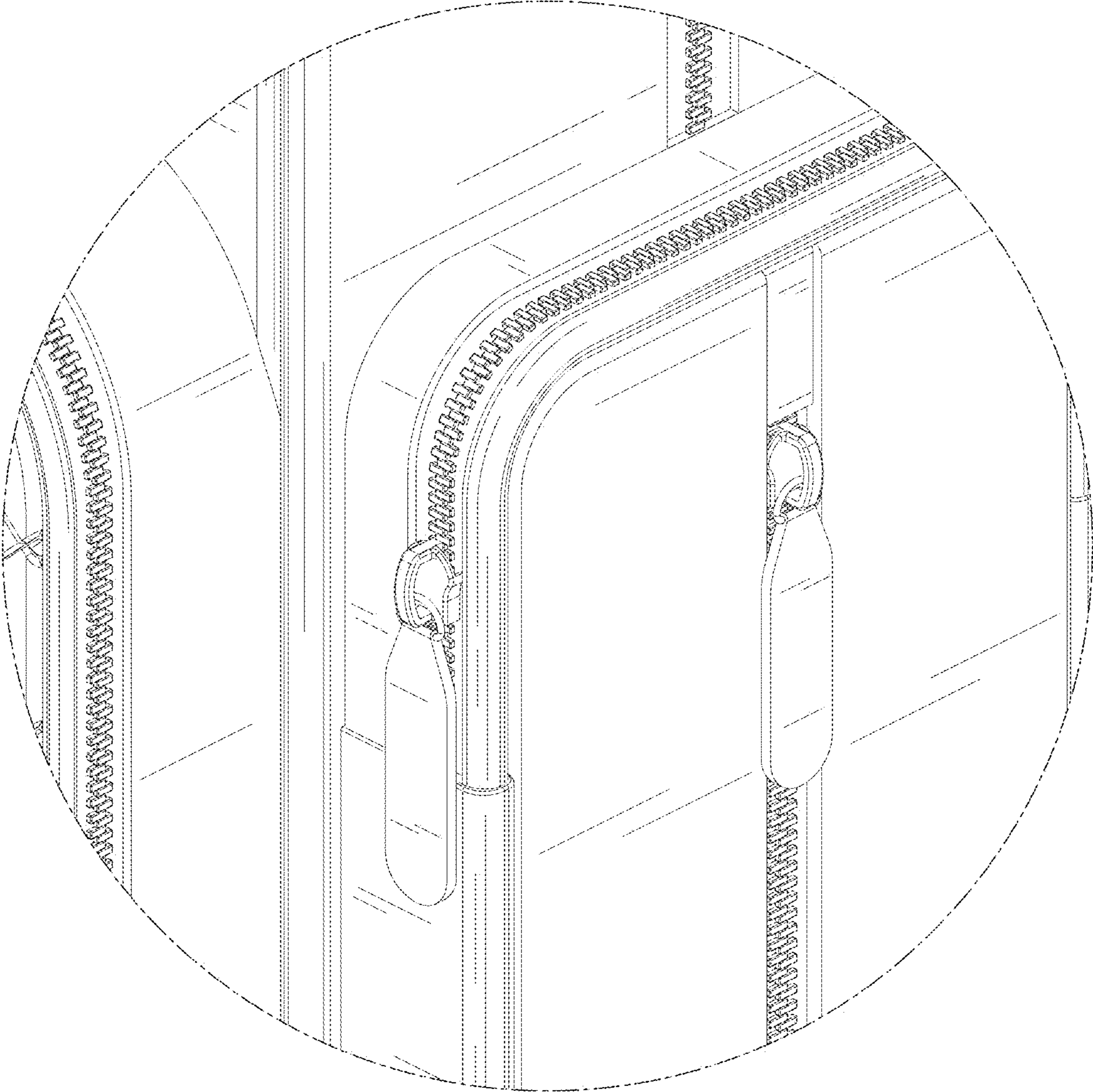


FIG. 17

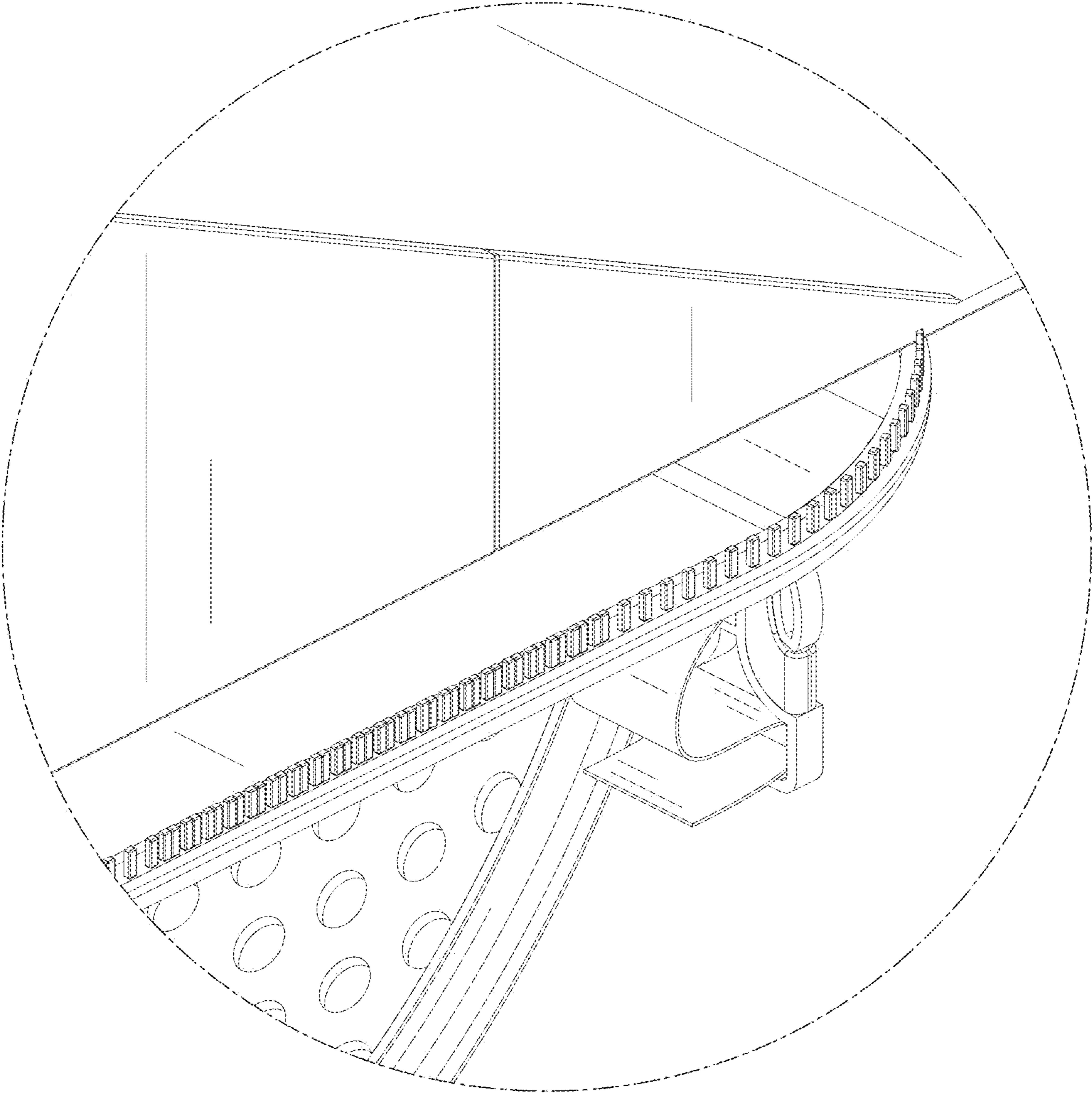


FIG. 18

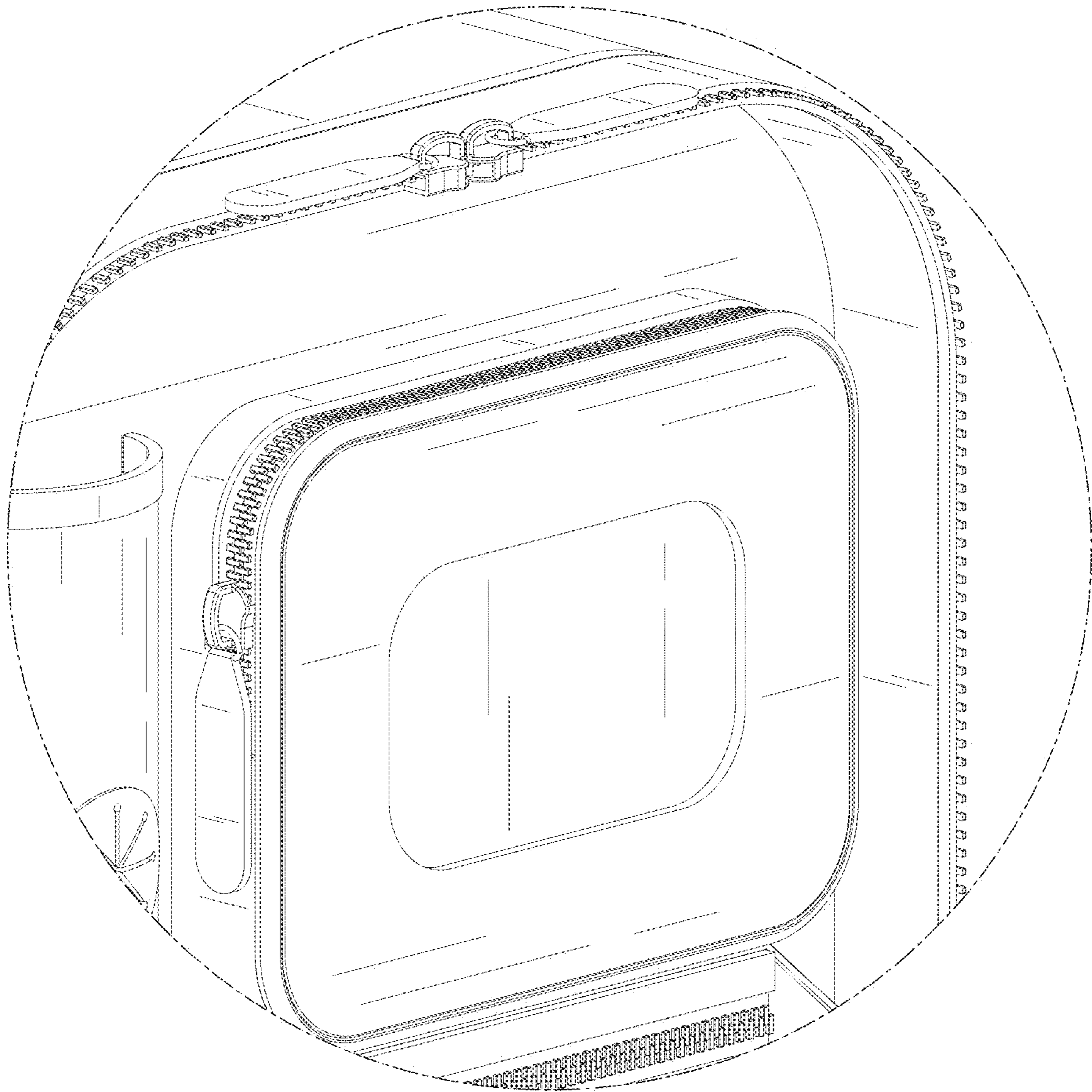


FIG. 19