



US00D987983S

(12) **United States Design Patent**
Wang

(10) **Patent No.:** **US D987,983 S**
(45) **Date of Patent:** **** Jun. 6, 2023**

(54) **PILL BOX**
(71) Applicant: **Qiang Wang**, Longnan (CN)
(72) Inventor: **Qiang Wang**, Longnan (CN)
(**) Term: **15 Years**
(21) Appl. No.: **29/810,756**
(22) Filed: **Oct. 8, 2021**

(30) **Foreign Application Priority Data**

Apr. 8, 2021 (CN) 202130196677.8

(51) **LOC (14) Cl.** **03-01**
(52) **U.S. Cl.**
USPC **D3/203.2**
(58) **Field of Classification Search**
USPC D3/201, 203.1, 203.2, 203.3, 203.4, 273,
D3/295; D9/420, 421, 757
CPC B65D 25/04; B65D 83/04; B65D 75/327;
A61J 1/03; A61J 7/0076; A61J 7/0084
See application file for complete search history.

(56) **References Cited**

U.S. PATENT DOCUMENTS

D457,819 S * 5/2002 Noble A45C 13/007
D10/40
6,662,081 B1 * 12/2003 Jacober A61J 7/0481
221/124
D587,898 S * 3/2009 Cetera D3/203.2
D673,360 S * 1/2013 Denzinger D3/203.2
9,289,354 B2 * 3/2016 Ryan B65D 25/06
9,311,452 B2 * 4/2016 Dickie A61J 7/0481
D833,733 S * 11/2018 Chen D3/203.3
10,420,703 B1 * 9/2019 Lee A61J 1/03
10,653,583 B1 * 5/2020 Walker A61J 7/0427
D898,344 S * 10/2020 Lee D3/203.3

D898,345 S * 10/2020 Lee A61J 1/03
D3/203.3
11,141,349 B1 * 10/2021 Chen A61J 1/1412
2003/0043026 A1 * 3/2003 Noble A61J 7/0472
340/309.16
2006/0086641 A1 * 4/2006 Priebe B65D 83/04
206/538
2013/0112586 A1 * 5/2013 Hawry B65D 25/10
206/528
2013/0112587 A1 * 5/2013 Niggel A61J 1/03
206/528
2017/0259985 A1 * 9/2017 Homma B65D 83/0409
2021/0177698 A1 * 6/2021 Lee A61J 7/0069
2022/0079841 A1 * 3/2022 Darst A45C 13/007
2022/0153491 A1 * 5/2022 Wang A61J 1/03

* cited by examiner

Primary Examiner — Steven J Czyz

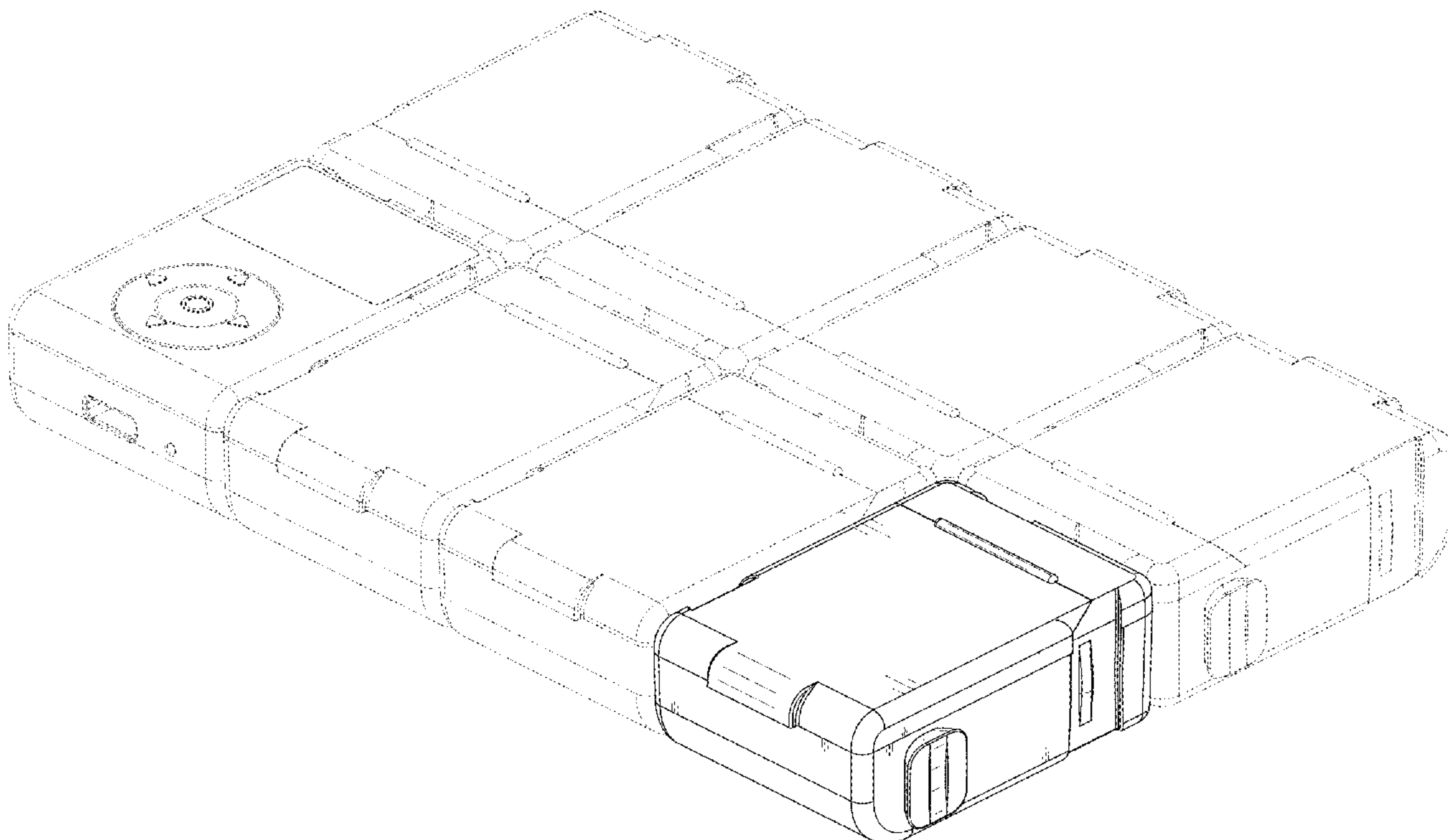
(57) **CLAIM**

The ornamental design for a pill box, as shown and described.

DESCRIPTION

FIG. 1 is a top perspective view of a pill box showing my new design;
FIG. 2 is a bottom perspective view thereof;
FIG. 3 is a front elevational view thereof;
FIG. 4 is a rear elevational view thereof;
FIG. 5 is a left side elevational view thereof;
FIG. 6 is a right side elevational view thereof;
FIG. 7 is a top plan view thereof;
FIG. 8 is a bottom plan view thereof; and,
FIG. 9 is a perspective view of the pill box, shown in use connected to other pill boxes.
The broken lines in the drawings depict portions of the pill box that form no part of the claimed design.

1 Claim, 9 Drawing Sheets



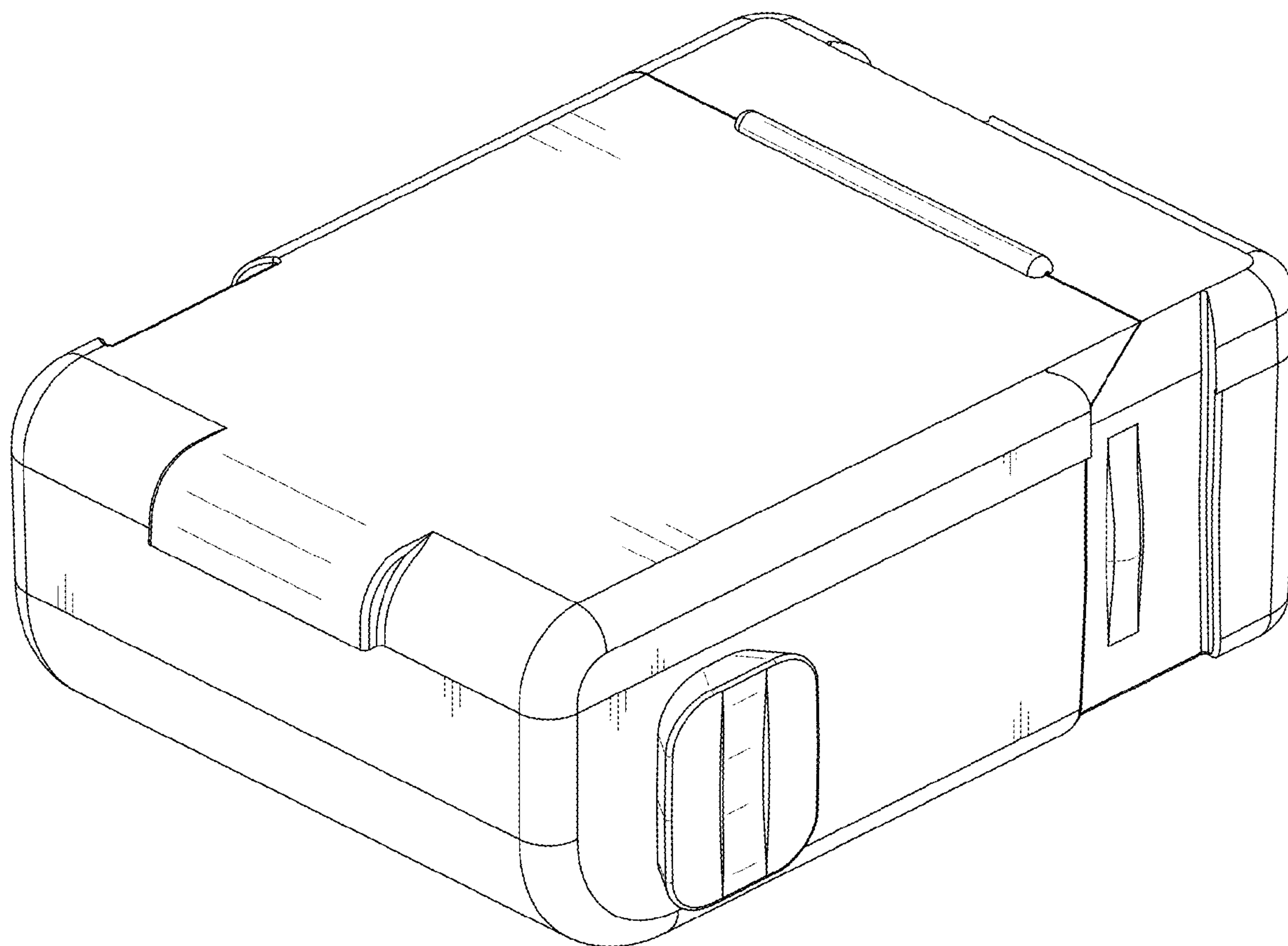


FIG. 1

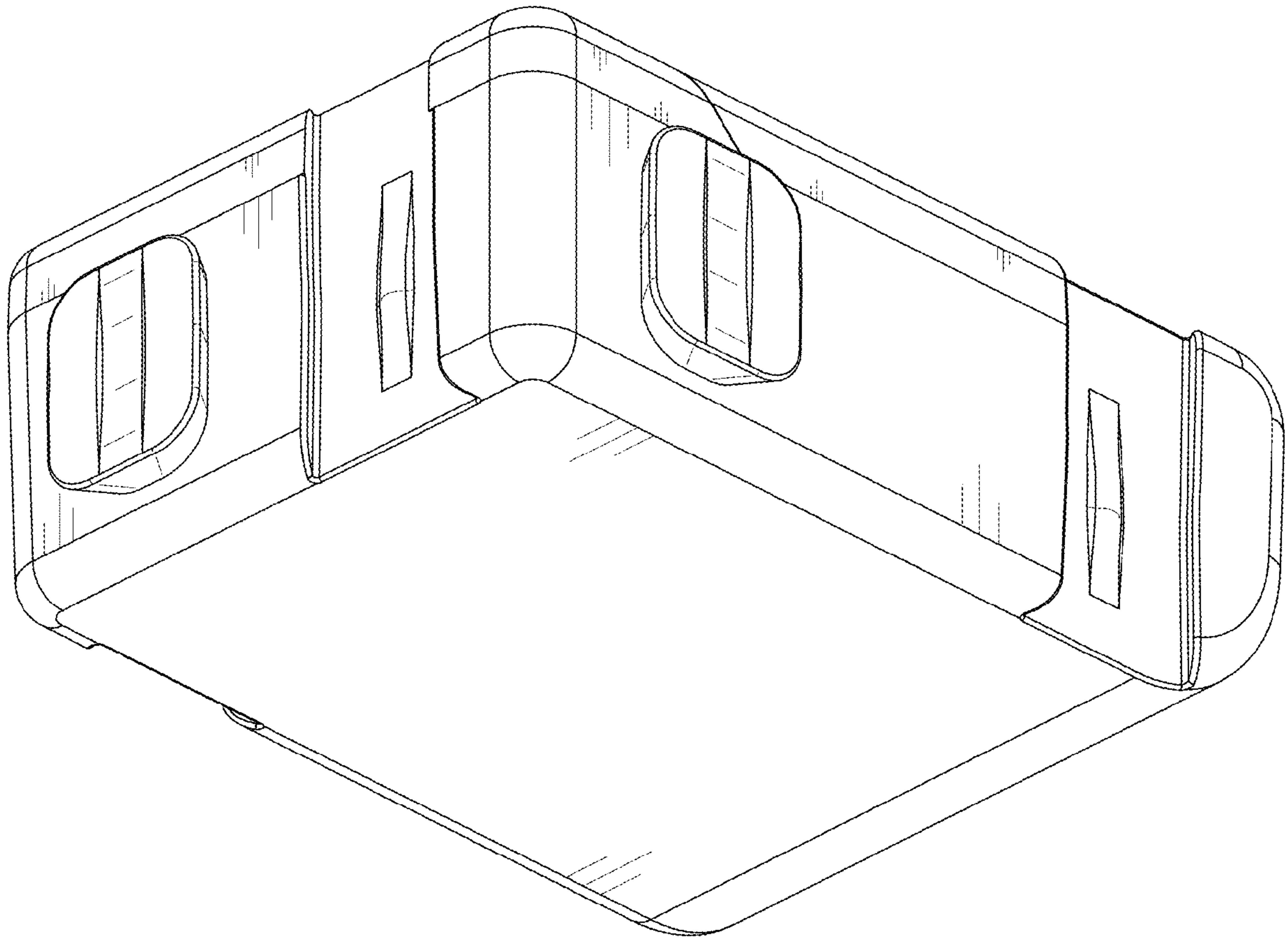


FIG. 2

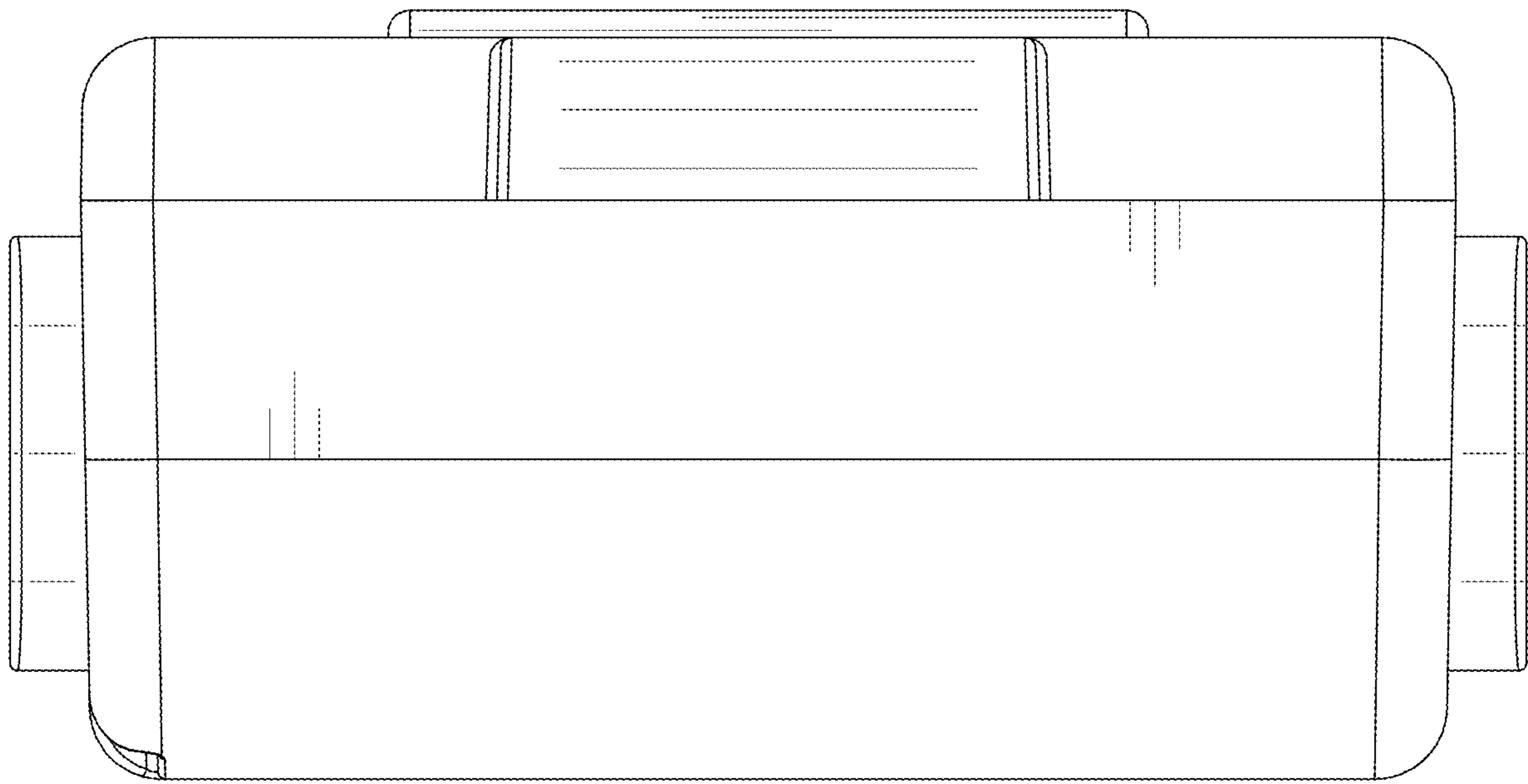


FIG. 3

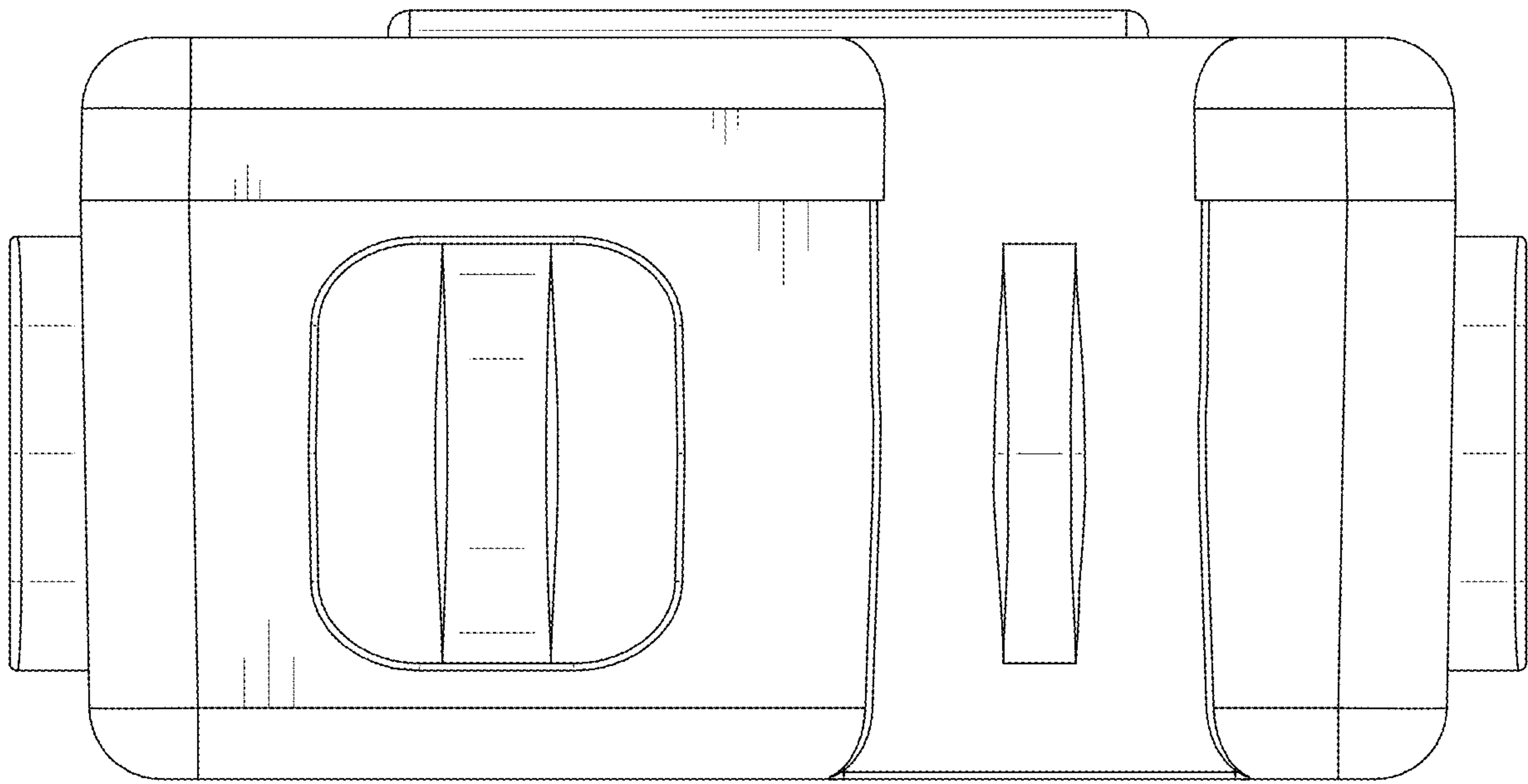


FIG. 4

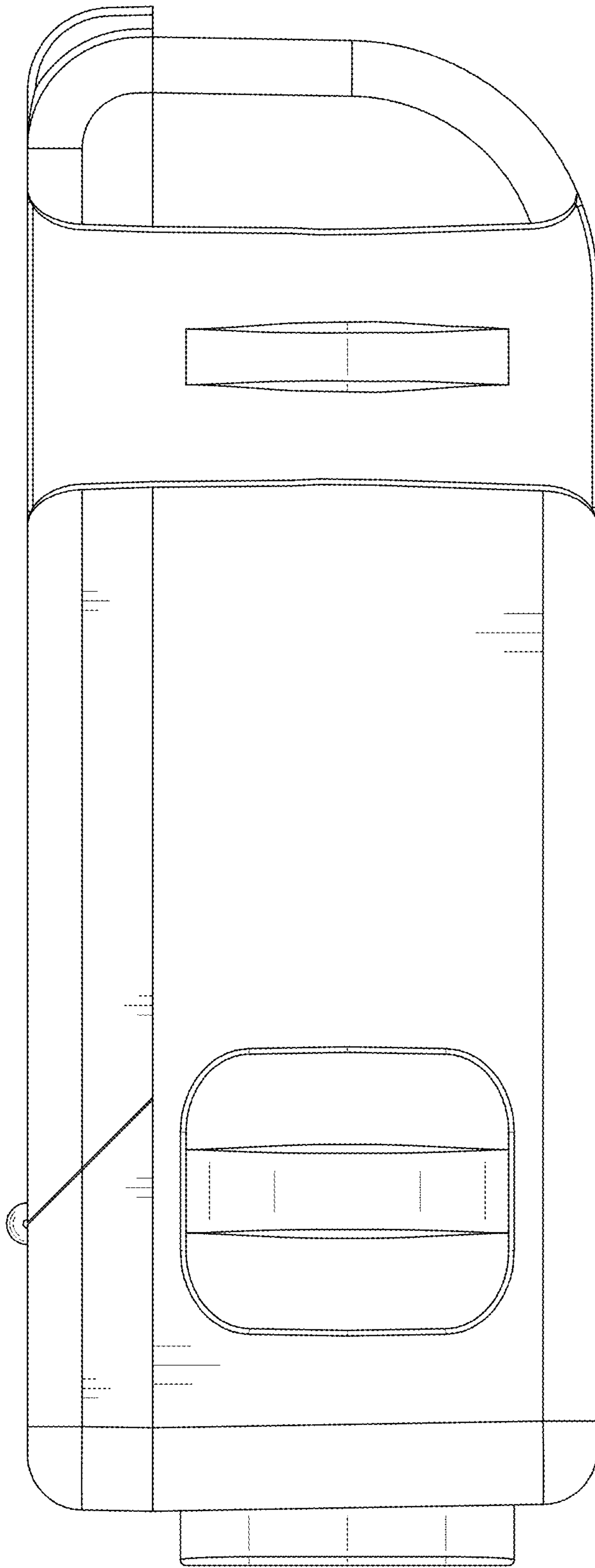


FIG. 5

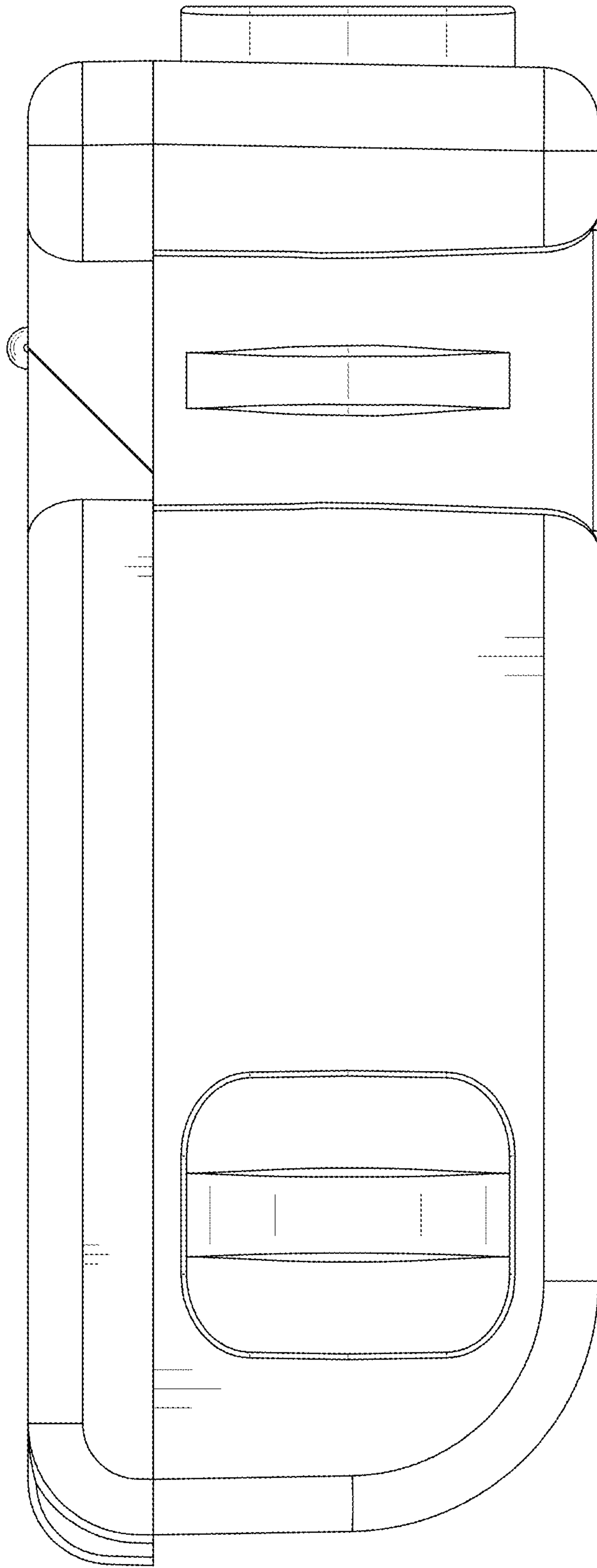


FIG. 6

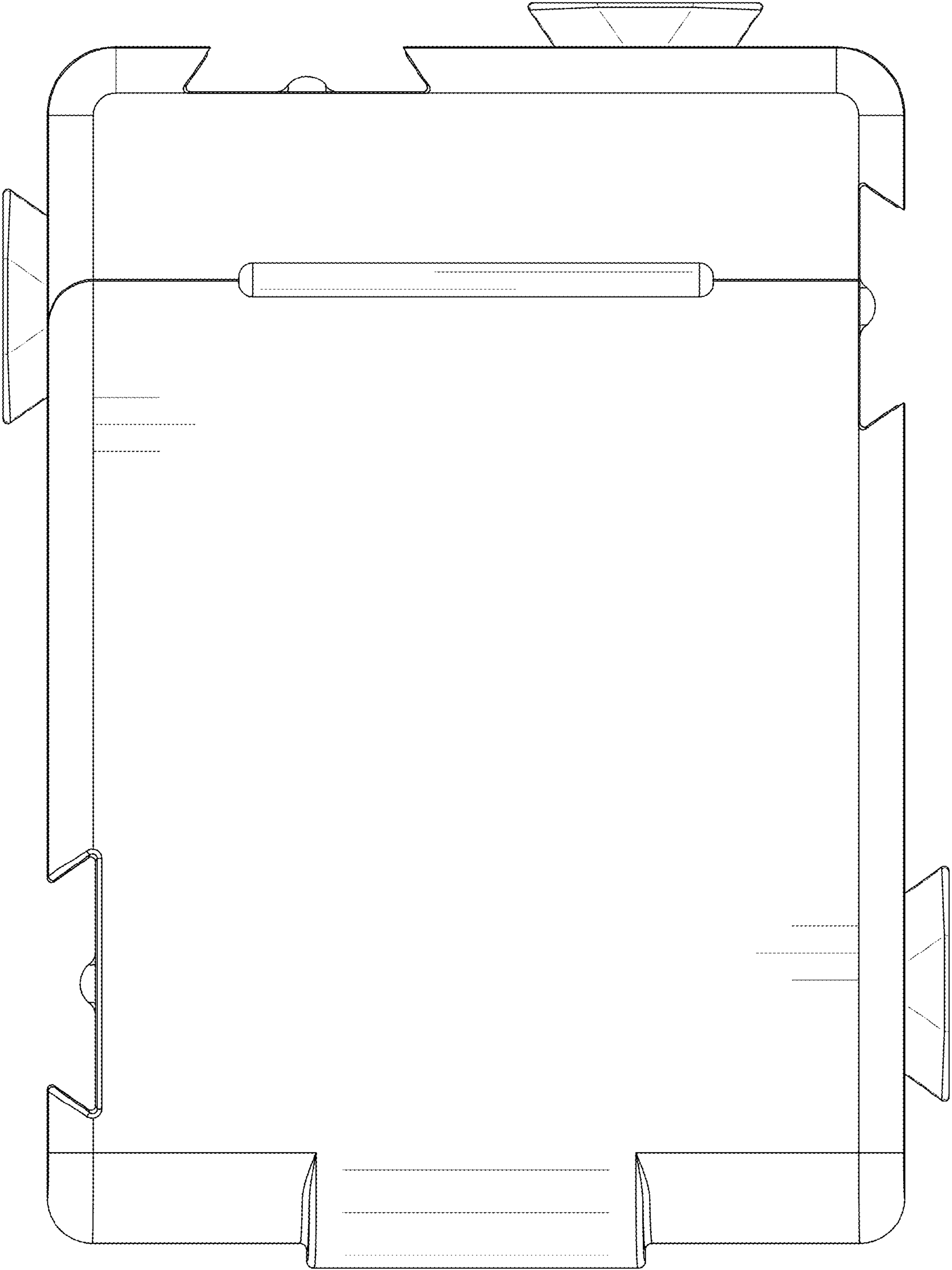


FIG. 7

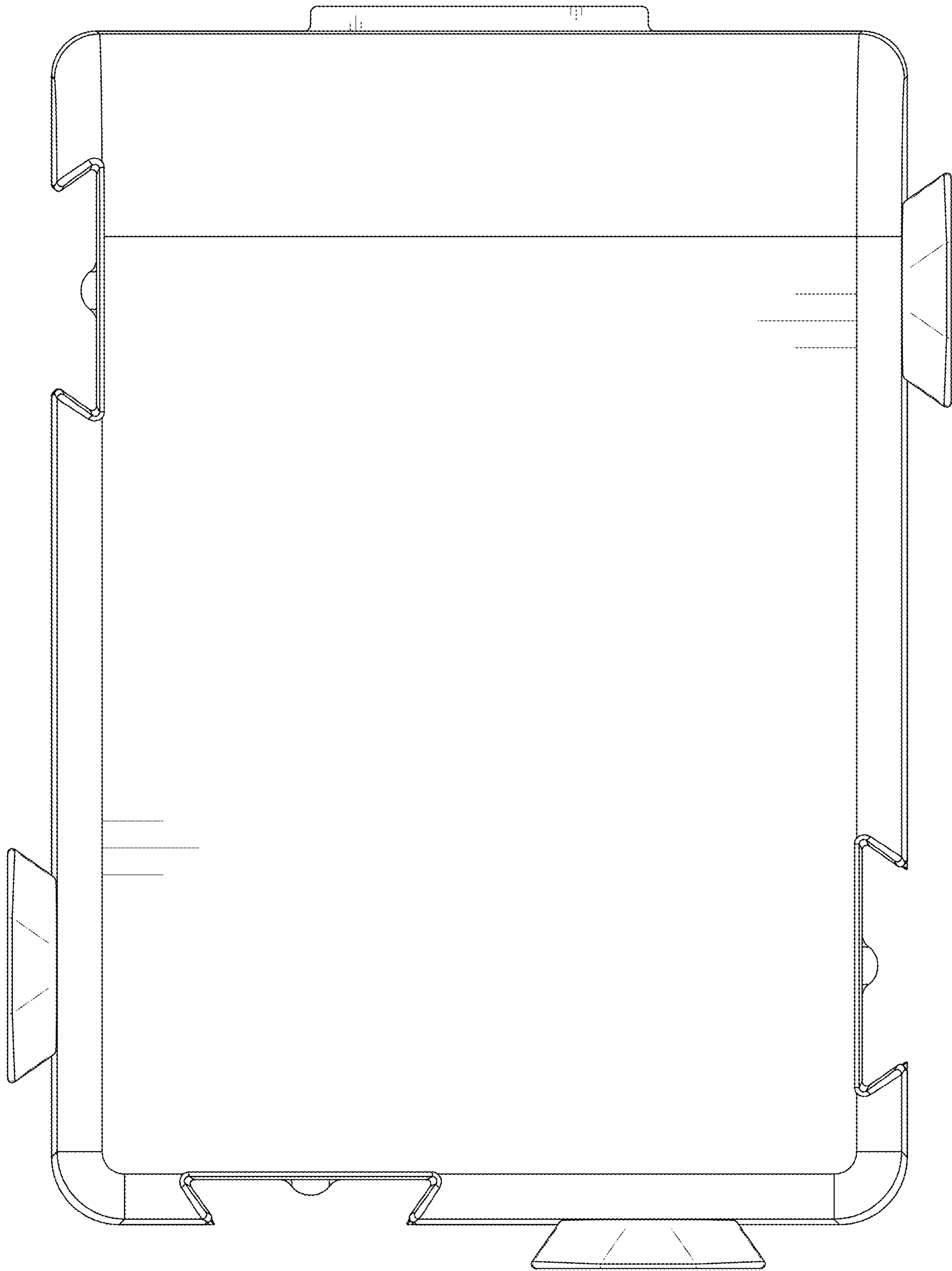


FIG. 8

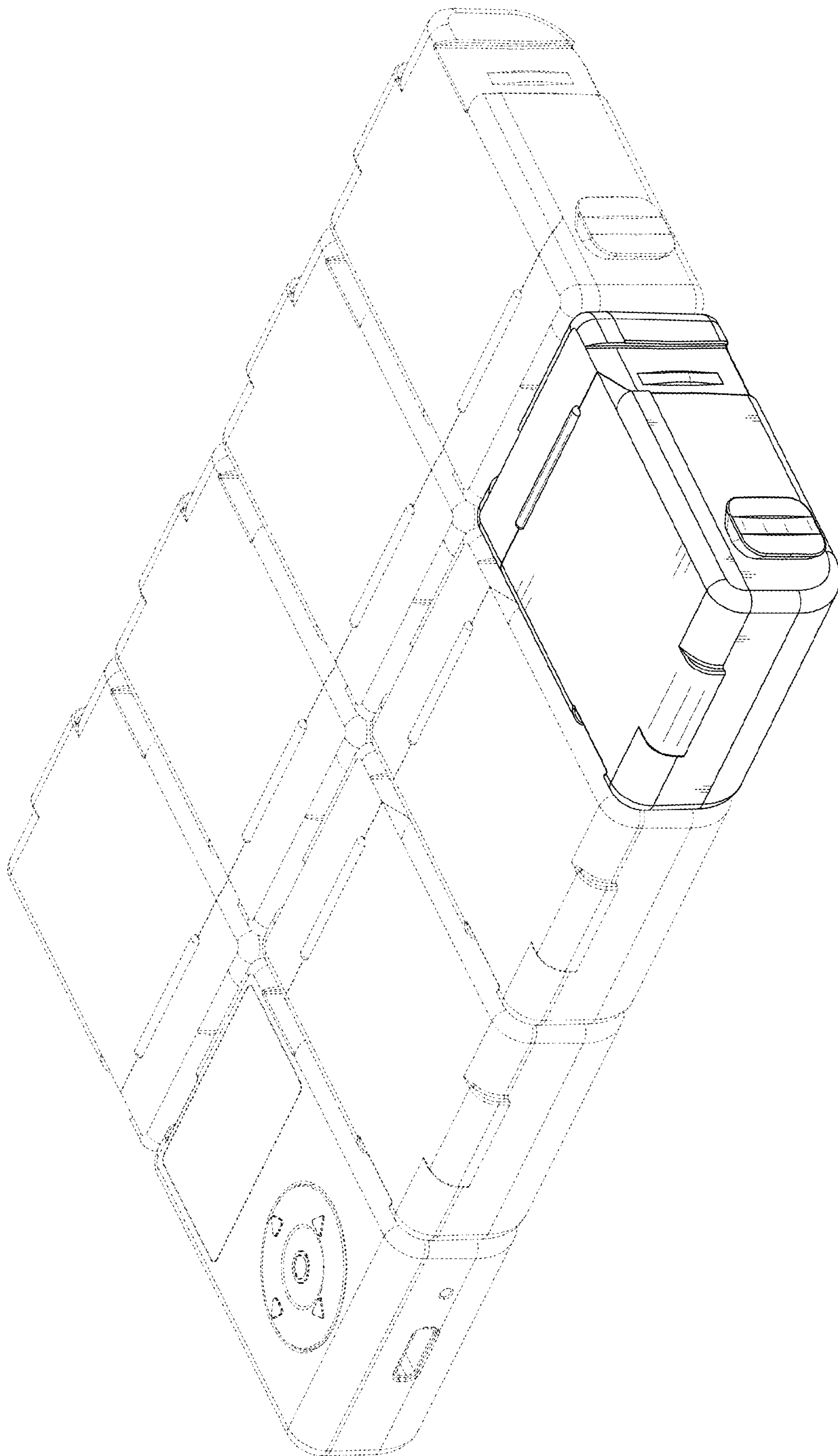


FIG. 9