



US00D987982S

(12) **United States Design Patent**  
**Wang**

(10) **Patent No.:** **US D987,982 S**

(45) **Date of Patent:** **\*\* Jun. 6, 2023**

(54) **ELECTRONIC PILL BOX**

(71) Applicant: **Qiang Wang**, Longnan (CN)

(72) Inventor: **Qiang Wang**, Longnan (CN)

(\*\*) Term: **15 Years**

(21) Appl. No.: **29/810,755**

(22) Filed: **Oct. 8, 2021**

(30) **Foreign Application Priority Data**

Apr. 8, 2021 (CN) ..... 202130197050.4

(51) **LOC (14) Cl.** ..... **03-01**

(52) **U.S. Cl.**  
USPC ..... **D3/203.2**

(58) **Field of Classification Search**  
USPC ..... D3/201, 203.1, 203.2, 203.3, 203.4, 273,  
D3/295; D9/420, 421, 757  
CPC ..... B65D 25/04; B65D 83/04; B65D 75/327;  
A61J 1/03; A61J 7/0076; A61J 7/0084  
See application file for complete search history.

(56) **References Cited**

U.S. PATENT DOCUMENTS

- D457,819 S \* 5/2002 Noble ..... A45C 13/007  
D10/40
- 6,662,081 B1 \* 12/2003 Jacober ..... A61J 7/0481  
221/124
- D587,898 S \* 3/2009 Cetera ..... D3/203.2
- D673,360 S \* 1/2013 Denzinger ..... D3/203.2
- 9,289,354 B2 \* 3/2016 Ryan ..... B65D 25/06
- 9,311,452 B2 \* 4/2016 Dickie ..... A61J 7/0481
- D833,733 S \* 11/2018 Chen ..... D3/203.3
- 10,420,703 B1 \* 9/2019 Lee ..... A61J 1/03
- 10,653,583 B1 \* 5/2020 Walker ..... A61J 7/0427
- D898,344 S \* 10/2020 Lee ..... D3/203.3
- D898,345 S \* 10/2020 Lee ..... A61J 1/03  
D3/203.3
- 11,141,349 B1 \* 10/2021 Chen ..... A61J 1/1412

- 2003/0043026 A1 \* 3/2003 Noble ..... A61J 7/0472  
340/309.16
  - 2006/0086641 A1 \* 4/2006 Priebe ..... B65D 83/04  
206/538
  - 2013/0112586 A1 \* 5/2013 Hawry ..... B65D 25/10  
206/528
  - 2013/0112587 A1 \* 5/2013 Niggel ..... A61J 1/03  
206/528
  - 2017/0259985 A1 \* 9/2017 Homma ..... B65D 83/0409
  - 2021/0177698 A1 \* 6/2021 Lee ..... A61J 7/0069
- (Continued)

OTHER PUBLICATIONS

Orocko Electronic Pill Dispenser, amazon.com, [https://www.amazon.com/Electronic-Dispensers-Organizer-Organizers-Dispenser-OROCKO/dp/B089K7LK7J/ref=sr\\_1\\_1?keywords=OROCKO&qid=1675347014&sr=8-1](https://www.amazon.com/Electronic-Dispensers-Organizer-Organizers-Dispenser-OROCKO/dp/B089K7LK7J/ref=sr_1_1?keywords=OROCKO&qid=1675347014&sr=8-1) (Year: 2020).\*

(Continued)

*Primary Examiner* — Steven J Czyz

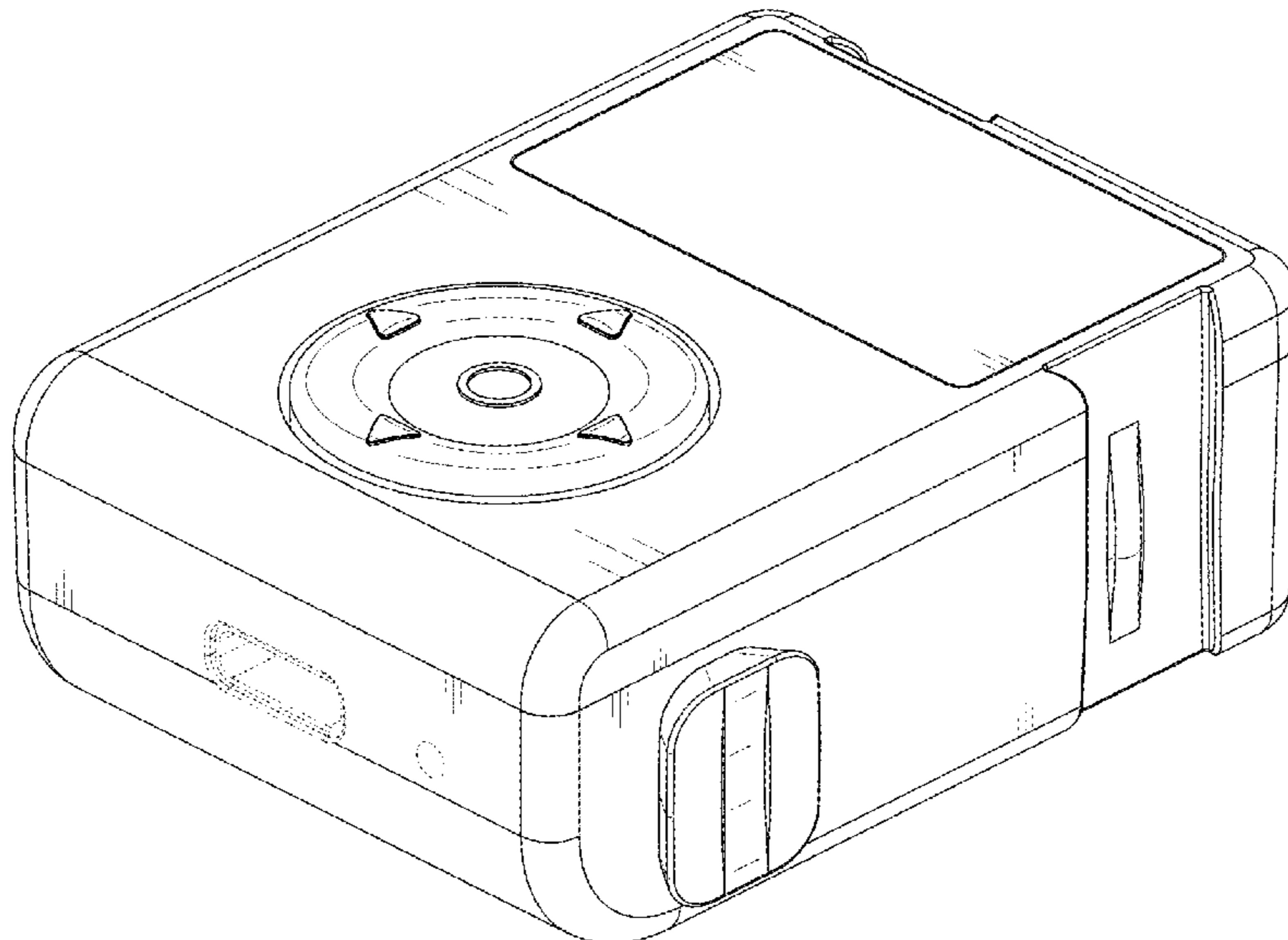
(57) **CLAIM**

The ornamental design for an electronic pill box, as shown and described.

**DESCRIPTION**

FIG. 1 is a top perspective view of an electric pill box showing my new design;  
FIG. 2 is a bottom perspective view thereof;  
FIG. 3 is a front elevational view thereof;  
FIG. 4 is a rear elevational view thereof;  
FIG. 5 is a left side elevational view thereof;  
FIG. 6 is a right side elevational view thereof;  
FIG. 7 is a top plan view thereof;  
FIG. 8 is a bottom plan view thereof; and,  
FIG. 9 is a perspective view of the electronic pill box, shown in use connected to other pill boxes.  
The broken lines in the drawings depict portions of the electronic pill box that form no part of the claimed design.

**1 Claim, 9 Drawing Sheets**



(56)

**References Cited**

U.S. PATENT DOCUMENTS

2022/0079841 A1\* 3/2022 Darst ..... A45C 13/007  
2022/0153491 A1\* 5/2022 Wang ..... A61J 1/03

OTHER PUBLICATIONS

Fzhome Pill Organizer, amazon.com, [https://www.amazon.com/FZHOME-Organizer-Reminder-Container-Supplements/dp/B09Y9BFP94/ref=sr\\_1\\_11?keywords=FZHOME&qid=1675347044&sr=8-11](https://www.amazon.com/FZHOME-Organizer-Reminder-Container-Supplements/dp/B09Y9BFP94/ref=sr_1_11?keywords=FZHOME&qid=1675347044&sr=8-11) (Year: 2022).\*

TBSpoon Store Pill Organizer, amazon.com, [https://www.amazon.com/Organizer-Moisture-Proof-Compartments-Supplements-Dispenser/dp/B083RK52R8?ref=ast\\_sto\\_dp&th=1&psc=1](https://www.amazon.com/Organizer-Moisture-Proof-Compartments-Supplements-Dispenser/dp/B083RK52R8?ref=ast_sto_dp&th=1&psc=1) (Year: 2020).\*

\* cited by examiner

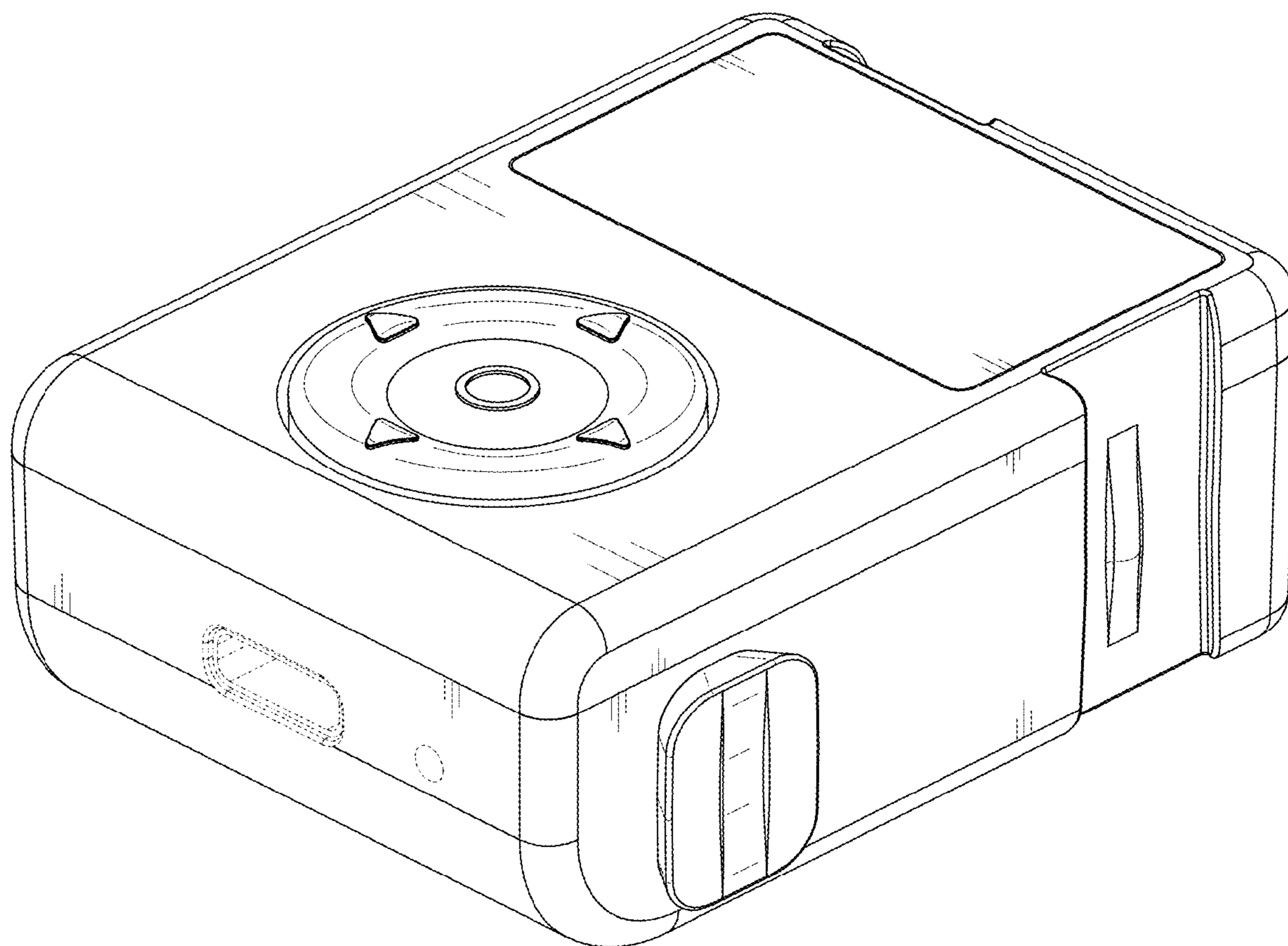


FIG. 1

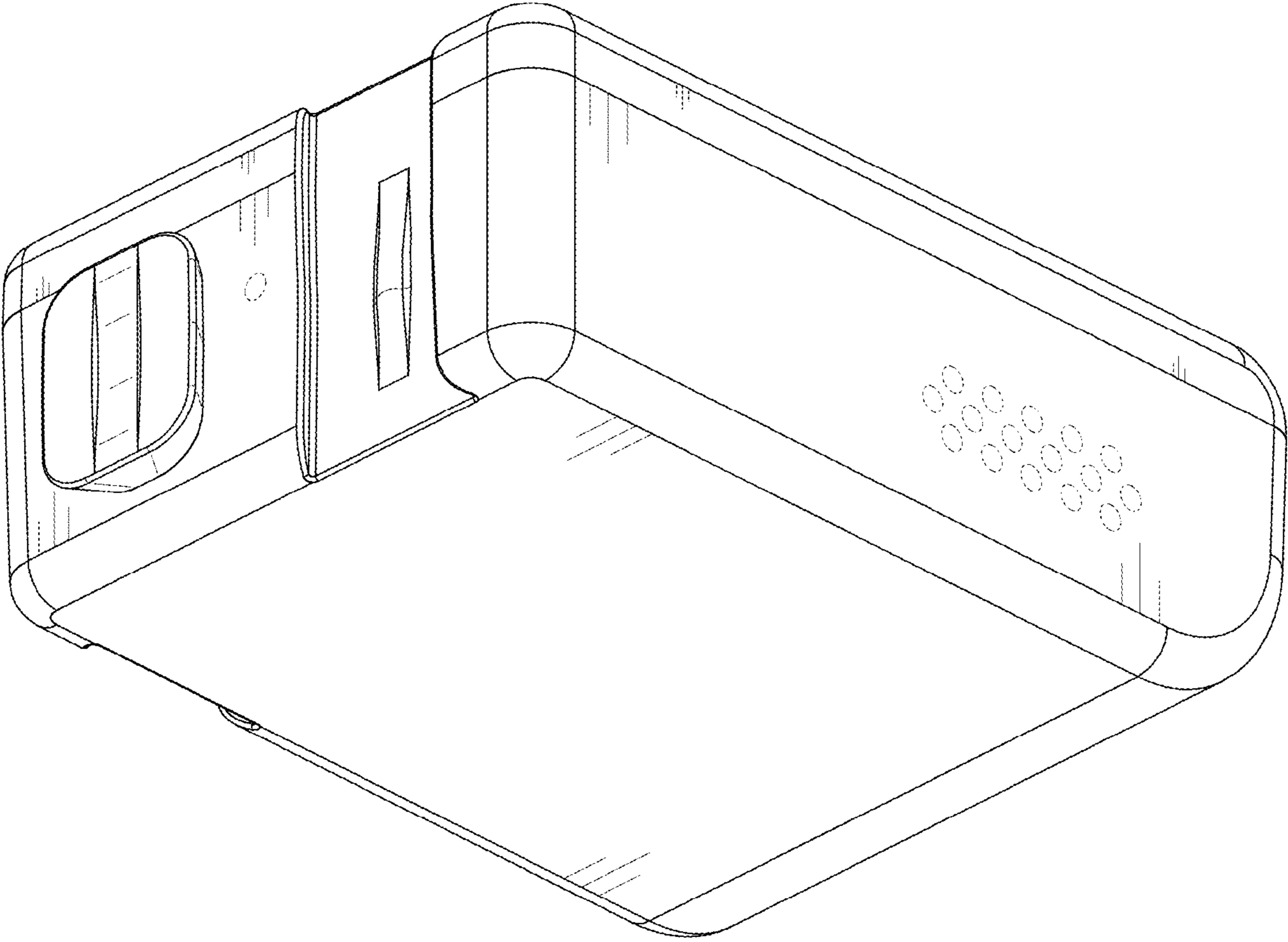


FIG. 2

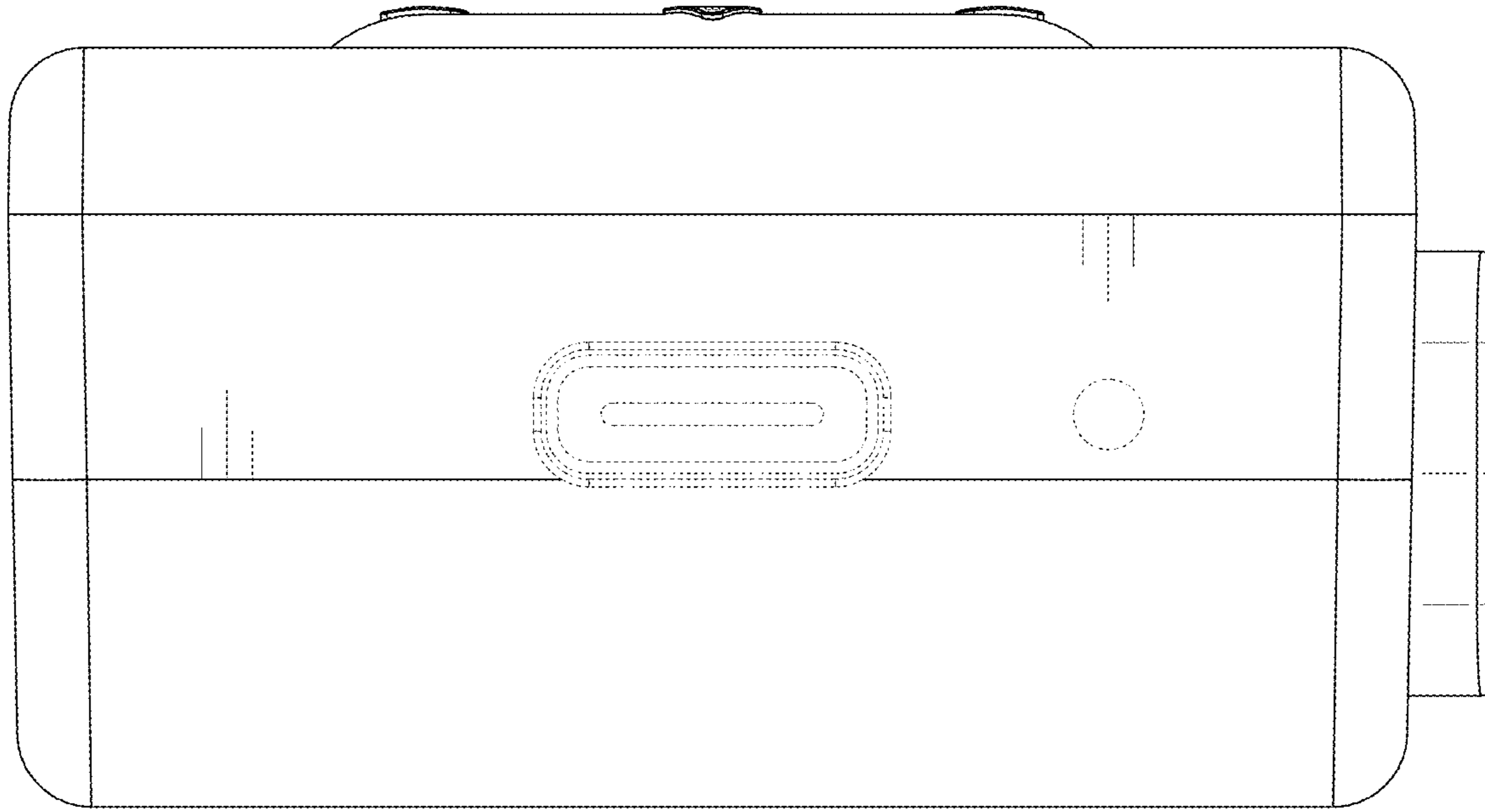


FIG. 3

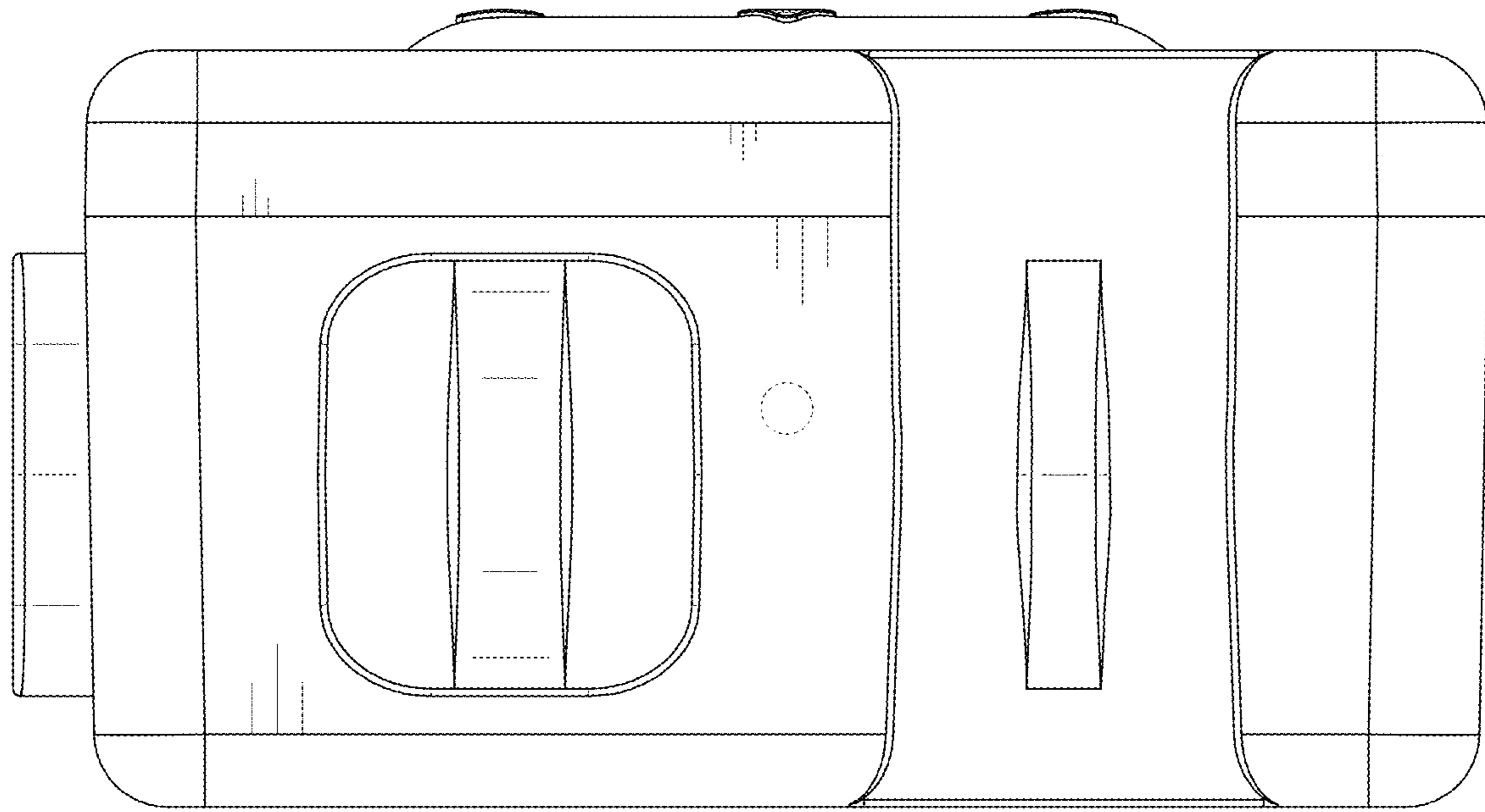


FIG. 4

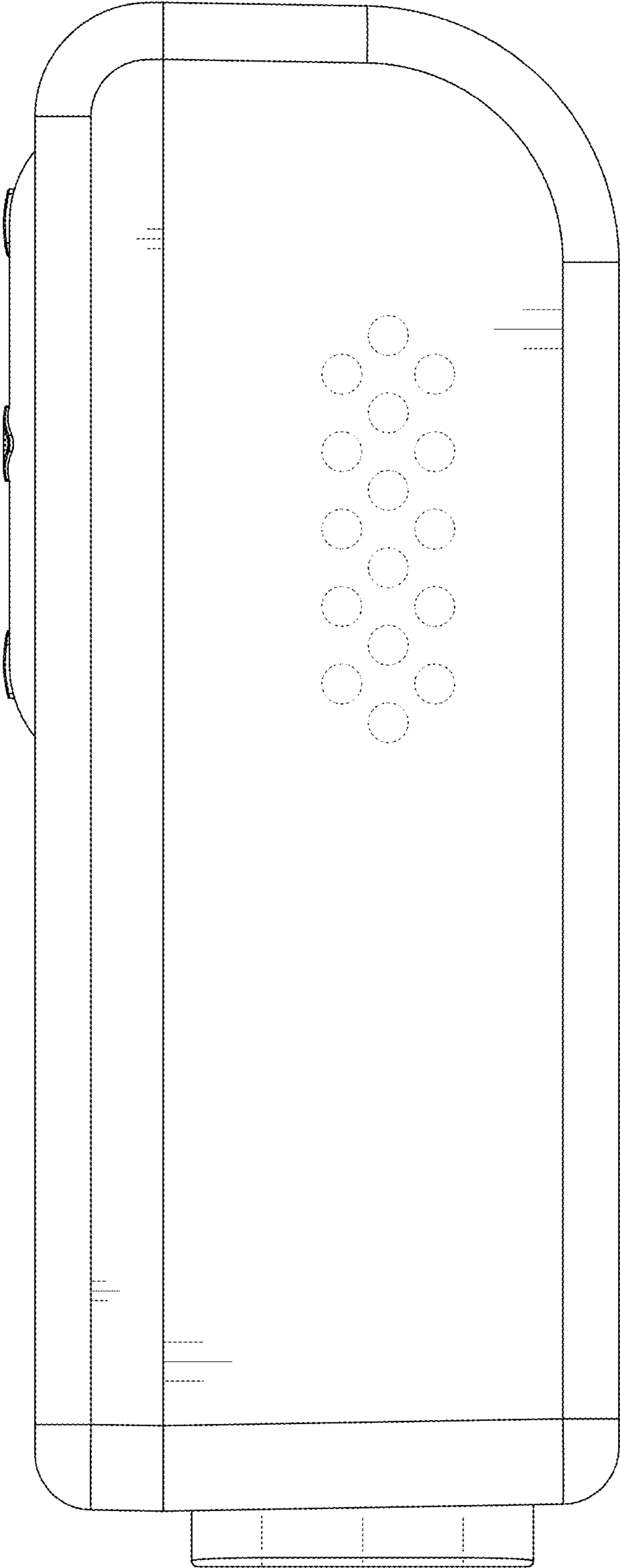


FIG. 5

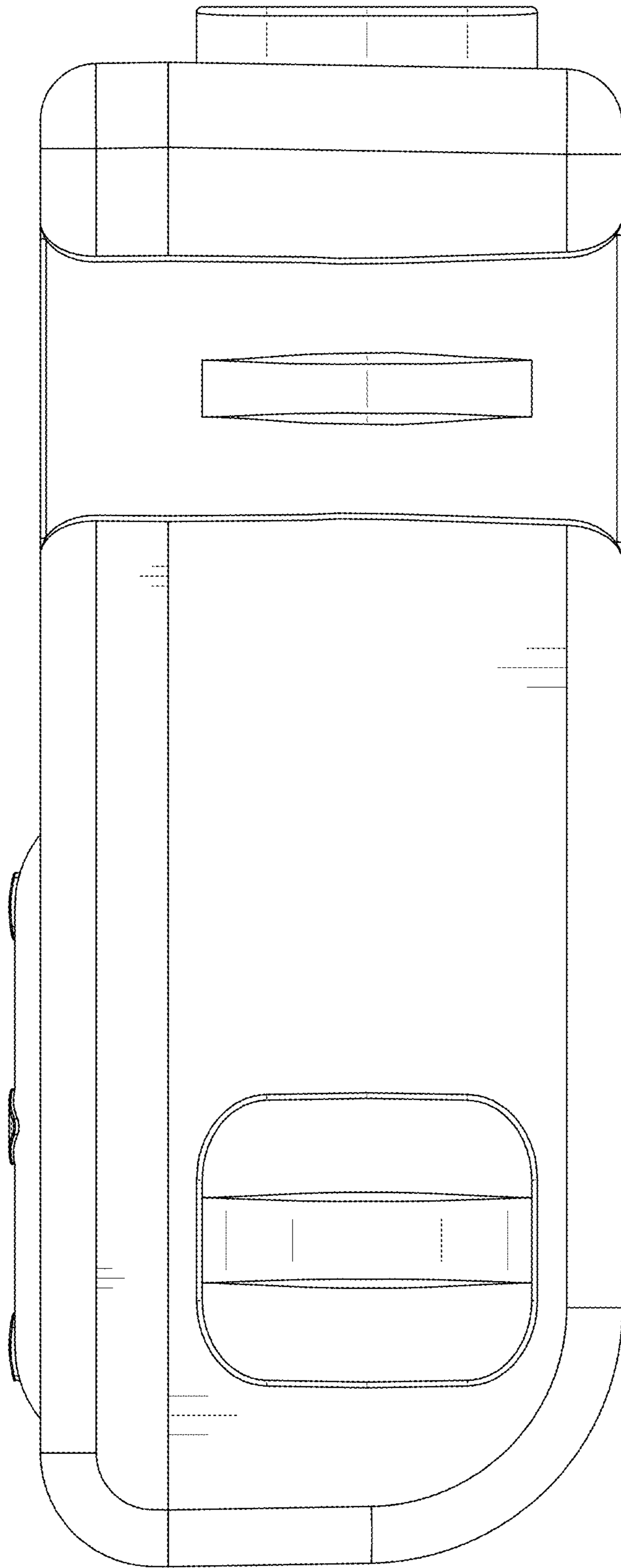


FIG. 6



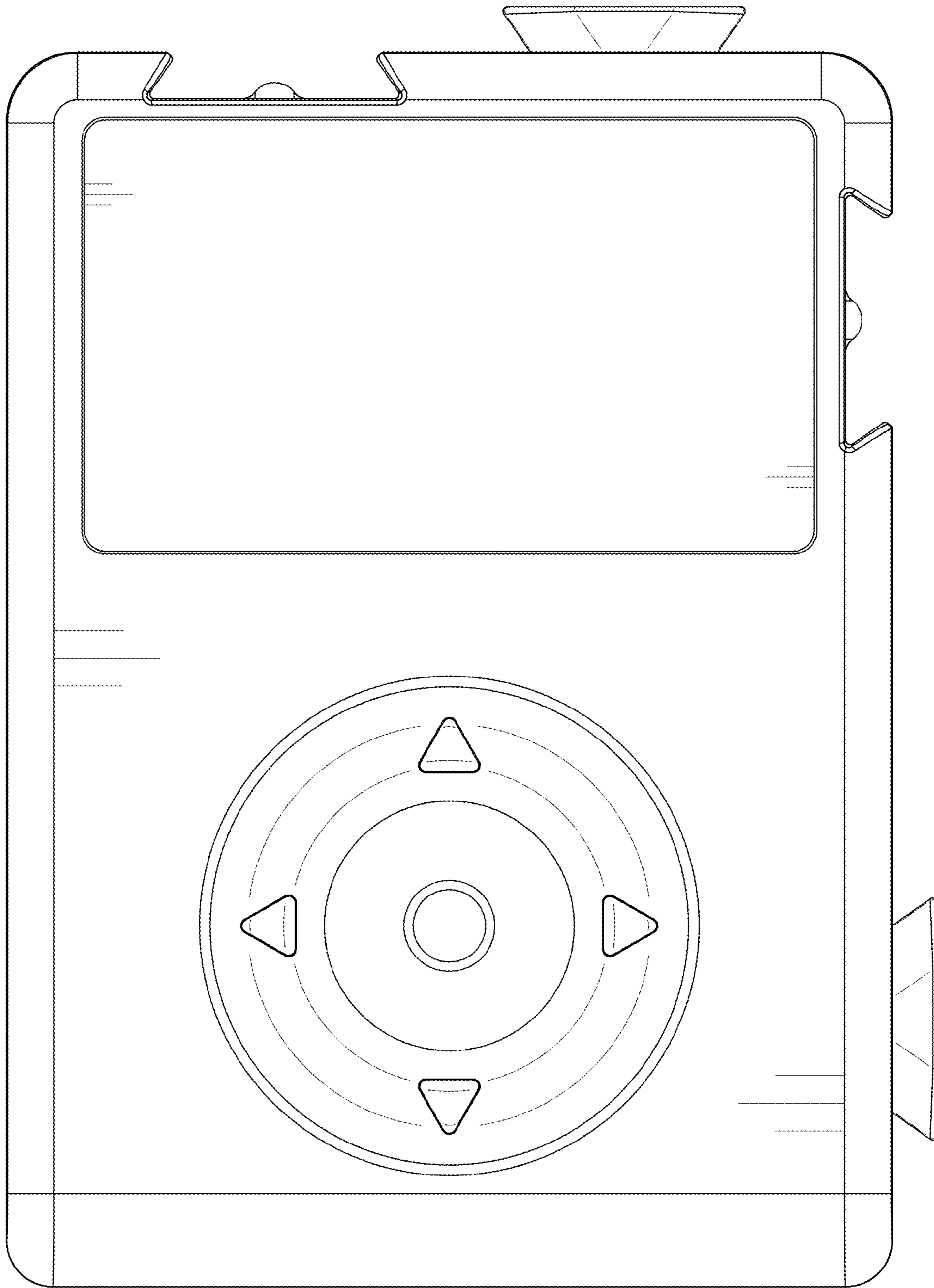


FIG. 7

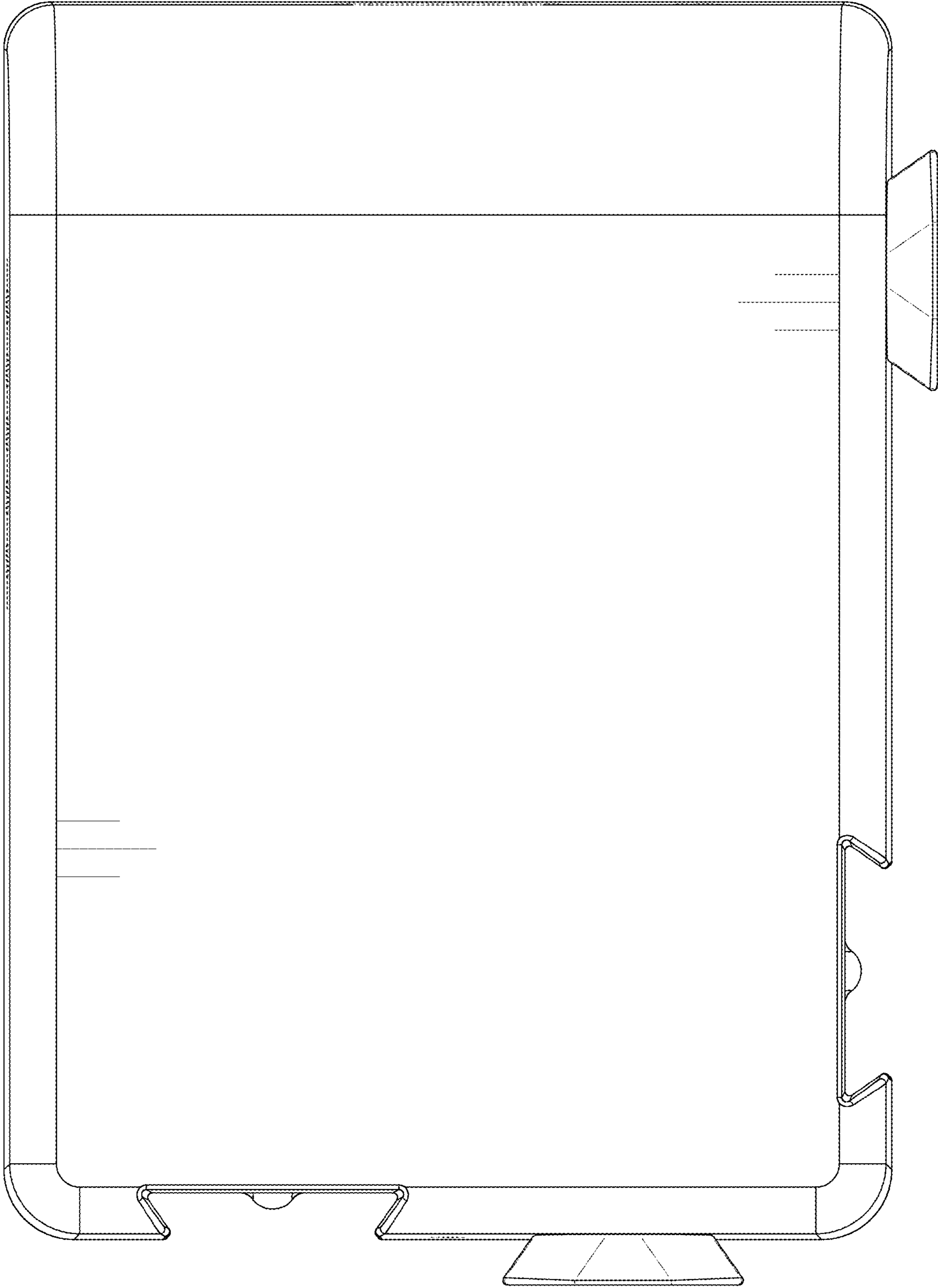


FIG. 8

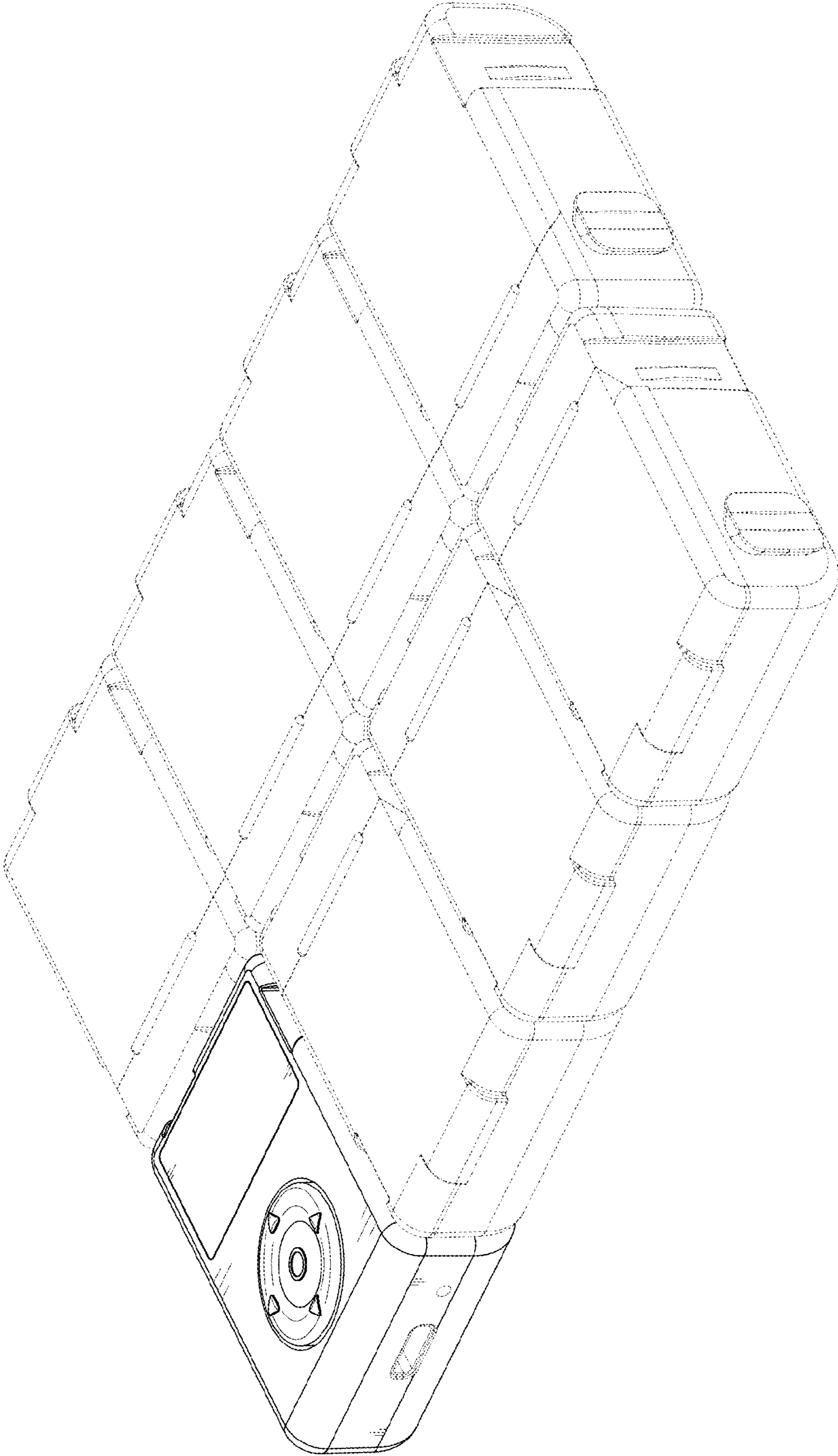


FIG. 9